



US00D972739S

(12) **United States Design Patent** (10) **Patent No.:** **US D972,739 S**
Katz et al. (45) **Date of Patent:** **** Dec. 13, 2022**

(54) **VIBRATING FITNESS ROLLER**
(71) Applicant: **Hyper Ice, Inc.**, Irvine, CA (US)
(72) Inventors: **Anthony Katz**, Laguna Niguel, CA (US); **Bostjan Buc**, Mislinja (SI); **Jure Miklavc**, Skofja Loka (SI); **Andrej Senk**, Preddvor (SI)

4,954,939 A 9/1990 Hutchins
D324,634 S 3/1992 Chen
5,123,406 A 6/1992 Masuda
D369,361 S 4/1996 Satake
5,554,102 A 9/1996 Chiou
5,736,089 A 4/1998 Stefani
(Continued)

(73) Assignee: **Hyper Ice, Inc.**, Irvine, CA (US)
(**) Term: **15 Years**

DE 9200901 U1 7/1992
DE 102006058876 A1 10/2007
(Continued)

(21) Appl. No.: **29/771,691**

OTHER PUBLICATIONS

(22) Filed: **Feb. 24, 2021**

“Vyper 3” Dec. 8, 2021, Amazon, site visited Jun. 8, 2022: <https://amzn.to/3GDauzl> (Year: 2021).*

(51) **LOC (13) Cl.** **21-02**

(Continued)

(52) **U.S. Cl.**

USPC **D24/211**; D21/694

(58) **Field of Classification Search**

USPC D24/200, 211, 212, 213, 214, 215, 188, D24/141, 190, 231, 106, 171; D30/160; D1/125-127; D21/680, 798, 792, 662, D21/804, 686, 671, 691, 682, 694, 687, D21/654, 487, 679, 684, 688, 412, 685, D21/400, 791, 725, 386; D7/624.2; D8/303

CPC A61H 7/001; A61H 7/007; A61H 7/00; A61H 15/0092; A61H 2015/0014; A61H 2201/0207; A61H 15/00; A61H 2205/081; A61H 23/0263; A61H 2201/1284; A61H 2201/0161; A61H 2015/0028; A61H 2201/1695

See application file for complete search history.

Primary Examiner — Jack Reickel
Assistant Examiner — Salamah Jordan
(74) *Attorney, Agent, or Firm* — Patterson Intellectual Property Law, P.C.; Jerry Turner Sewell

(57) **CLAIM**

The ornamental design for a vibrating fitness roller, as shown and described.

DESCRIPTION

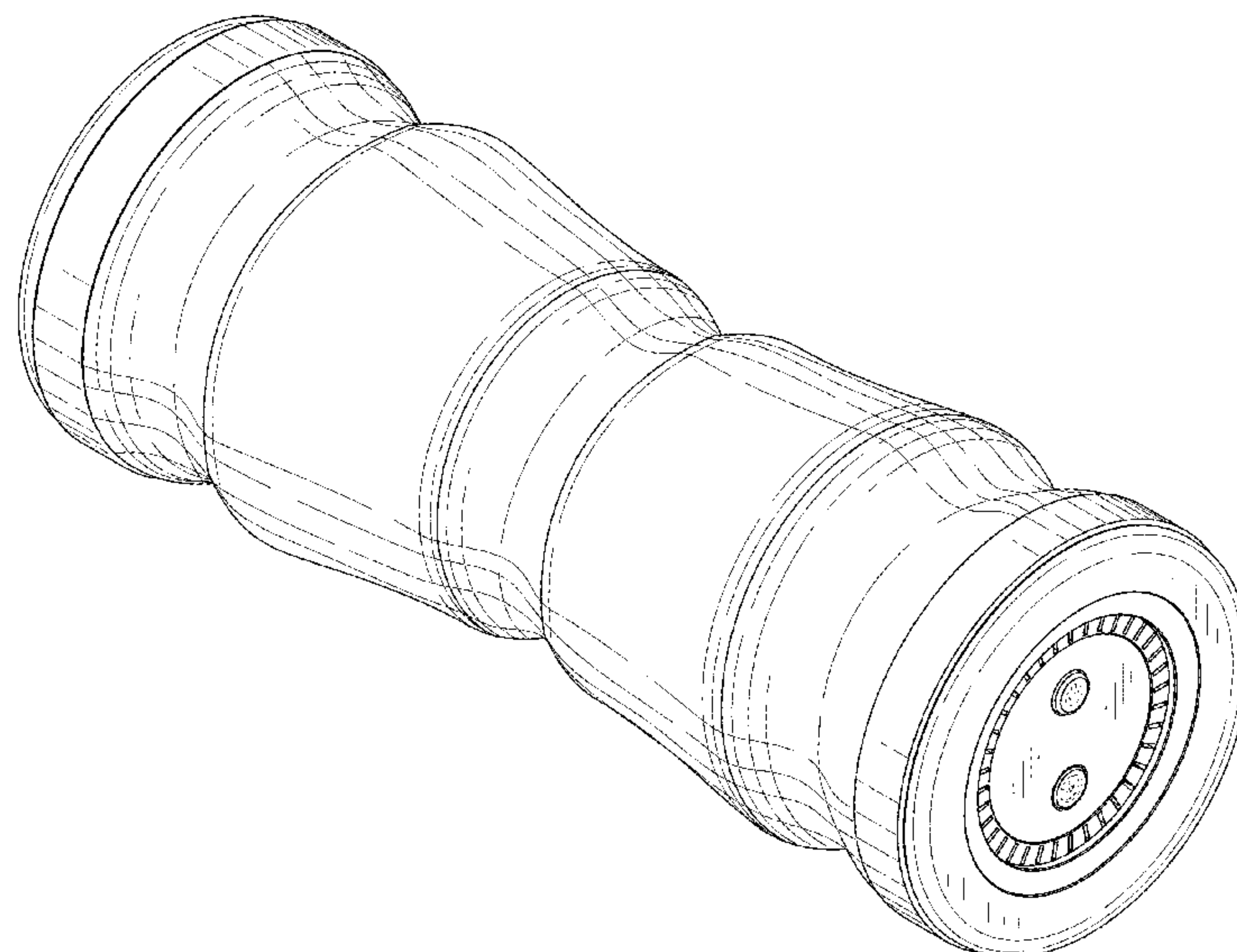
FIG. 1 is a front perspective view of a vibrating fitness roller of the present design;
FIG. 2 is a rear perspective view thereof;
FIG. 3 is a top view thereof, the bottom view, the left side view and the right side view being mirror images thereof;
FIG. 4 is a front view thereof; and,
FIG. 5 is a rear view thereof.
The broken lines in the drawings are for the purposes of illustrating portions of the vibrating fitness roller, which form no part of the claimed design.

(56) **References Cited**

U.S. PATENT DOCUMENTS

2,428,953 A 10/1947 Adams
D166,659 S 5/1952 Colotti
2,675,800 A 4/1954 Voorhees et al.
D299,974 S 2/1989 Schmitt

1 Claim, 4 Drawing Sheets



(56)

References Cited

U.S. PATENT DOCUMENTS

6,694,550 B2 2/2004 Lee
D546,402 S * 7/2007 Sonnier D21/694
D555,742 S 11/2007 Lai
D616,950 S 6/2010 Hersee et al.
D637,244 S * 5/2011 Davis D21/662
8,002,682 B2 8/2011 Dye
D647,980 S * 11/2011 Davis D21/662
D713,050 S 9/2014 Kao
9,132,055 B1 9/2015 Wallace
D740,337 S 10/2015 McCoy
D755,304 S * 5/2016 Ackerman D21/698
9,422,718 B2 8/2016 Ejsani
D786,652 S 5/2017 Lira-Nunez
9,668,933 B1 * 6/2017 Johnson A61H 15/00
D797,951 S 9/2017 Miklavc
9,763,850 B2 * 9/2017 Cheng A61H 15/00
D805,649 S * 12/2017 Mizelle D24/211
D809,612 S * 2/2018 Ganea D21/662
D810,955 S 2/2018 Miklavc
9,901,771 B1 2/2018 Silver
D812,700 S 3/2018 Silver
D813,323 S * 3/2018 Silver D21/694
9,968,513 B1 * 5/2018 Marton A61H 23/0263
D822,772 S * 7/2018 Jorgenson D24/211
D825,695 S * 8/2018 Kim D21/662
10,071,014 B2 9/2018 Yeh
D837,615 S 1/2019 Winter et al.
D843,522 S 3/2019 Miklavc et al.
D857,131 S 8/2019 Marton et al.
D858,779 S * 9/2019 Durfee D24/190
D859,668 S * 9/2019 Durfee D24/190
D872,198 S * 1/2020 Kim D21/662
D878,079 S * 3/2020 Briden D6/523
D882,805 S * 4/2020 Lien D24/211
D884,804 S * 5/2020 Ross D24/211
D886,314 S * 6/2020 Morris D24/211
D886,315 S * 6/2020 Hicken D24/211
D886,923 S 6/2020 Hsiung
D889,335 S 7/2020 Bowman
10,729,614 B2 8/2020 Marton et al.
D900,258 S * 10/2020 Lin D21/691
D900,945 S * 11/2020 Kyriacou D21/691
D919,107 S * 5/2021 Huang D24/211
11,039,976 B2 * 6/2021 Jorgenson A61H 15/00
D924,417 S * 7/2021 Davis D24/211
D927,711 S * 8/2021 Guerizec D24/211
D930,922 S * 9/2021 Ruan D30/160
11,141,345 B2 * 10/2021 Kyriacou A61H 1/00
D947,297 S 3/2022 Flick
D948,156 S 4/2022 Furuuchi
D949,359 S * 4/2022 Lebovic D24/211
D949,363 S * 4/2022 Wersland D24/211
D952,070 S 5/2022 Gridley
D957,663 S * 7/2022 Lebovic D24/211
D957,742 S * 7/2022 Dickson D29/122
D957,743 S * 7/2022 Dickson D29/122

2002/0170728 A1 11/2002 Holland et al.
2005/0070827 A1 3/2005 Lee
2009/0088307 A1 4/2009 Jelinek et al.
2009/0176635 A1 7/2009 Brinson
2009/0183817 A1 7/2009 Sinykin
2013/0090220 A1 4/2013 Bertram et al.
2013/0267396 A1 10/2013 Dye
2015/0045707 A1 * 2/2015 Selvaggio A61H 15/0092
2016/0074274 A1 3/2016 Mallory
2016/0195163 A1 7/2016 Cavanaugh et al.
2016/0279009 A1 * 9/2016 Somjee A61H 7/007
2017/0042756 A1 * 2/2017 Nelson A61H 15/00
2017/0065482 A1 * 3/2017 Downare A61H 15/00
2018/0021211 A1 1/2018 Suokas et al.
2018/0028388 A1 2/2018 Leier et al.
2018/0071166 A1 * 3/2018 Lawrie A61H 15/0092
2018/0207055 A1 * 7/2018 Davis A61F 7/007
2018/0339216 A1 * 11/2018 Gencarelli A61M 21/02
2021/0197011 A1 * 7/2021 Hadley A61H 15/0092

FOREIGN PATENT DOCUMENTS

DE 202014004900 U1 10/2014
DE 202014004901 U1 10/2014
DE 102014211779 A1 12/2015
DE 102014211780 A1 12/2015
DE 102015002235 A1 12/2015

OTHER PUBLICATIONS

Zyllion Rechargeable Vibrating Foam Roller, Oct. 13, 2017, Amazon, site visited Jun. 8, 2022: <https://amzn.to/38Uw3z6> (Year: 2017).*

“Hyperice Vyper Go”, Oct. 22, 2021, Amazon, site visited Jun. 8, 2022: <https://amzn.to/3O2drMb> (Year: 2021).*

“Nextrino Vibrating Foam Roller” May 25, 2016, Amazon, site visited Jul. 19, 2022: <https://amzn.to/3IWuGxm> (Year: 2016).*

“URBNFit Vibrating Foam Roller” Jan. 22, 2019, Amazon, site visited Jul. 19, 2022: <https://amzn.to/3oklRm5> (Year: 2019).*

“Does A Fit Roll Vibrating Foam Roller Work? A Review”, May 23, 2018, Youtube, site visited Jul. 19, 2022: <https://www.youtube.com/watch?v=lyrlne78Gmg> (Year: 2018).*

“Hyperice | Vyper Vibrating Foam Roller,” www.hyperice.com/yper, accessed on Sep. 7, 2017, 10 pages.

“Foam Roller Wrap,” Jun. 3, 2011, Amazon, site visited Jun. 3, 2022: <https://amzn.to/3wZfB8A> (Year: 2011).

“Theraband Foam Rollers and Wrap,” Sep. 12, 2013, YouTube, site visited Jun. 3, 2022: <https://youtube.com/watch?v=rQ0PQWxPV0> (Year: 2013).

“Peace of Muscle Foam Roller Review,” Nov. 2, 2016, YouTube, site visited Jun. 4, 2022: <https://www.youtube.com/watch?v=0P48FkFkil0> (Year: 2016).

“TriggerPoint Grid Caps,” Aug. 14, 2018, Amazon, site visited Jun. 6, 2022: <https://amzn.to/3tetEG3> (Year: 2018).

“321 Strong 5 in 1 Foam Roller Set,” Mar. 8, 2019, Amazon, site visited Jun. 6, 2022: <https://amzn.to/3xnj5mJ> (Year: 2019).

* cited by examiner

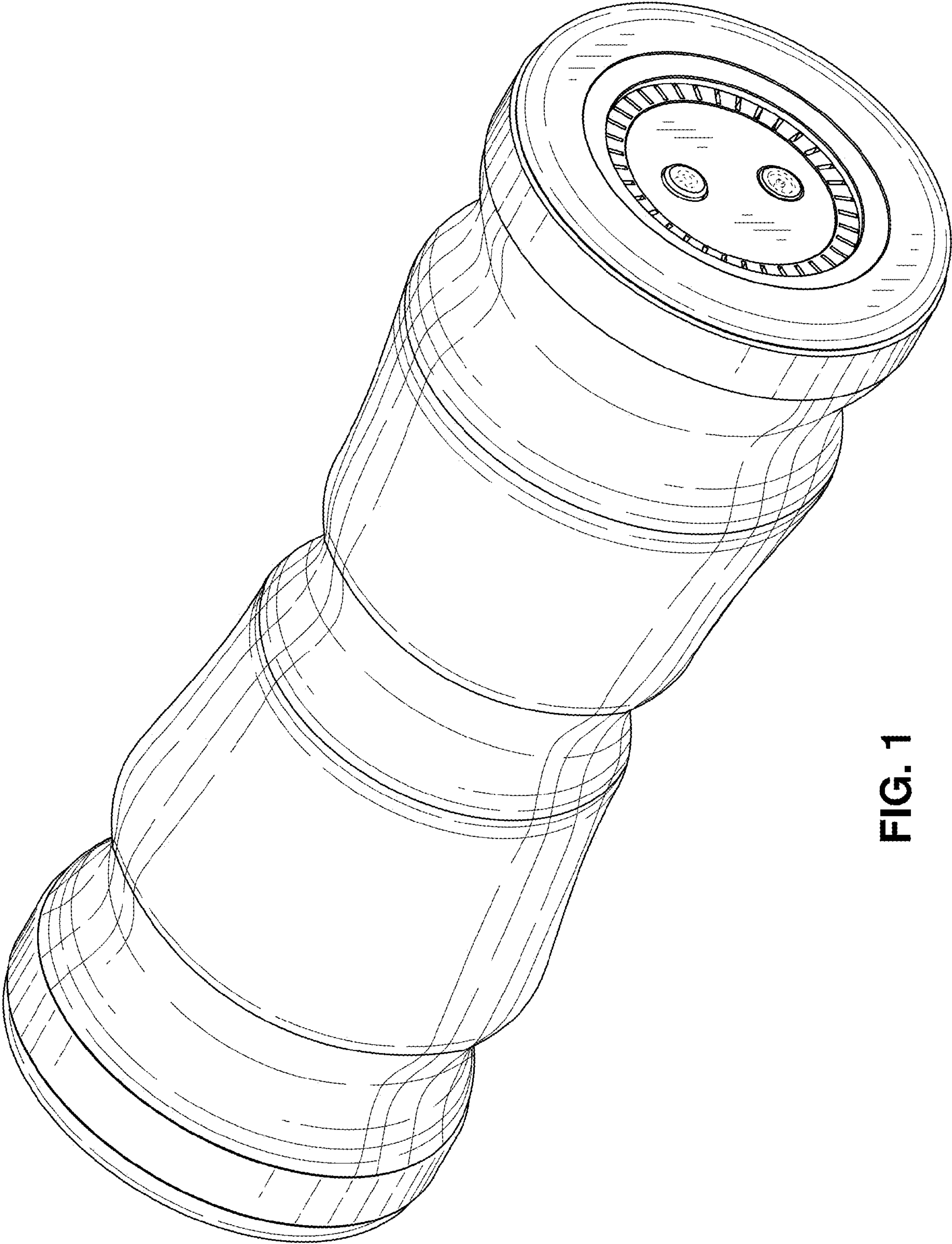


FIG. 1

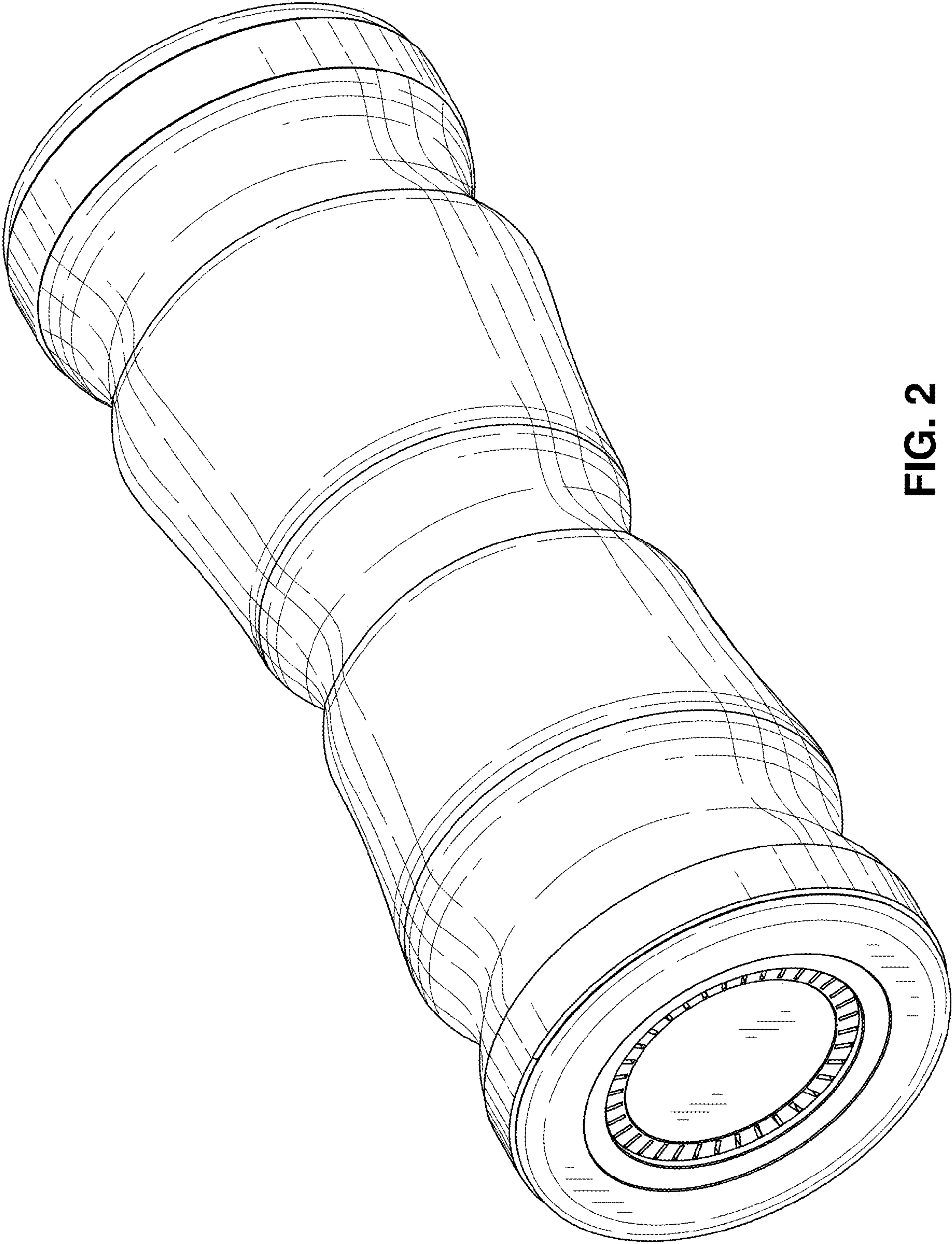


FIG. 2

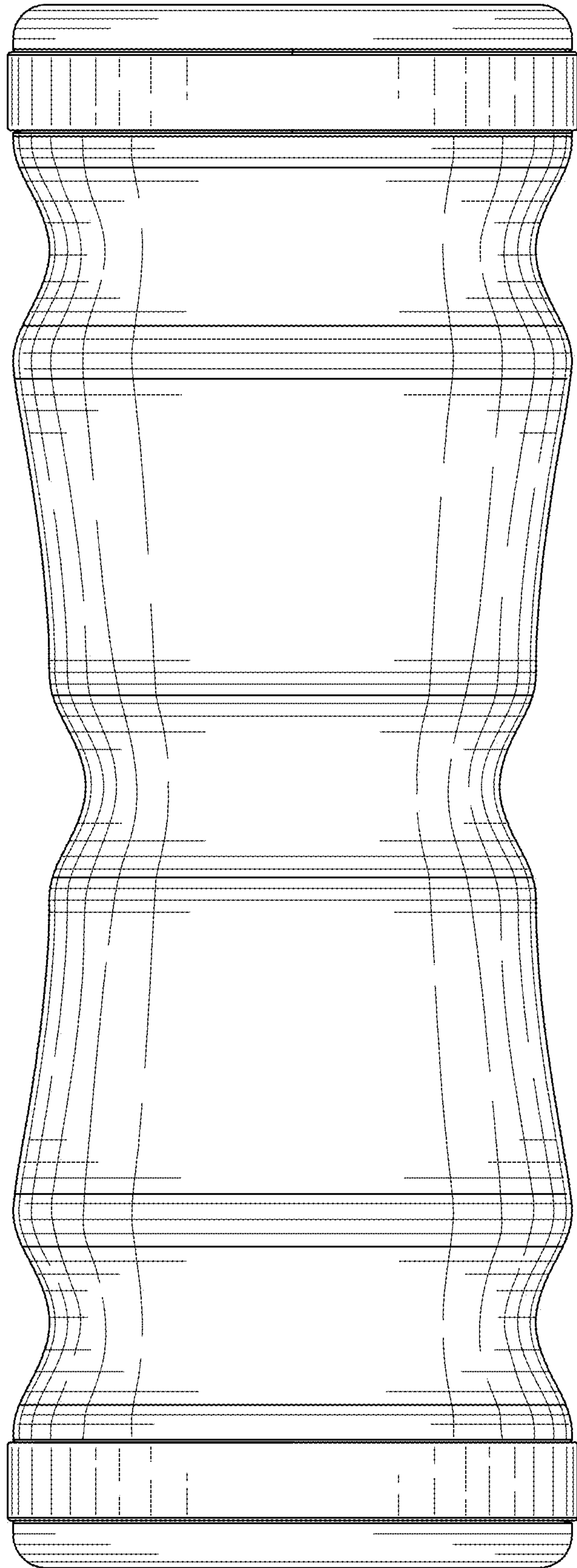


FIG. 3

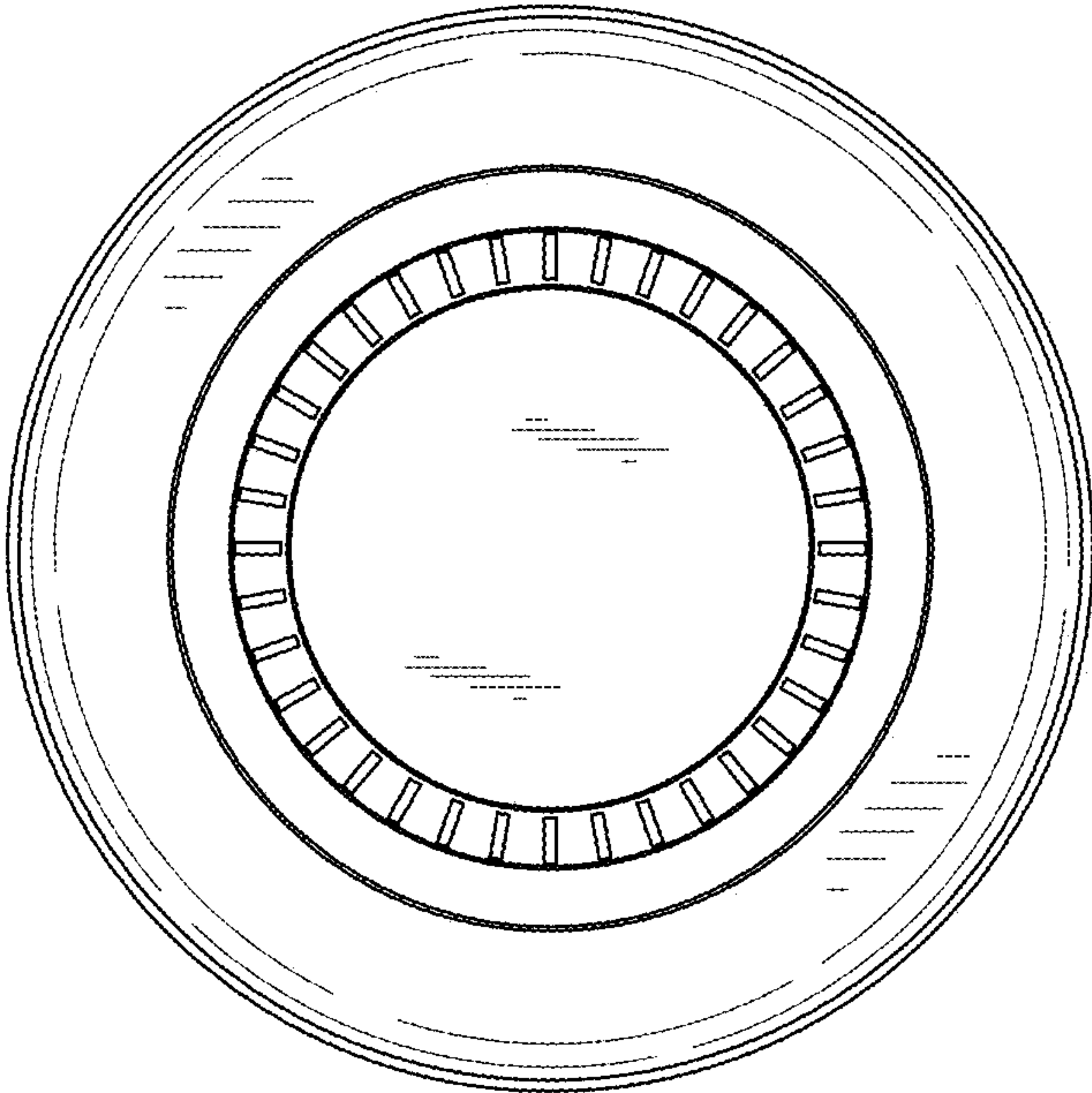


FIG. 5

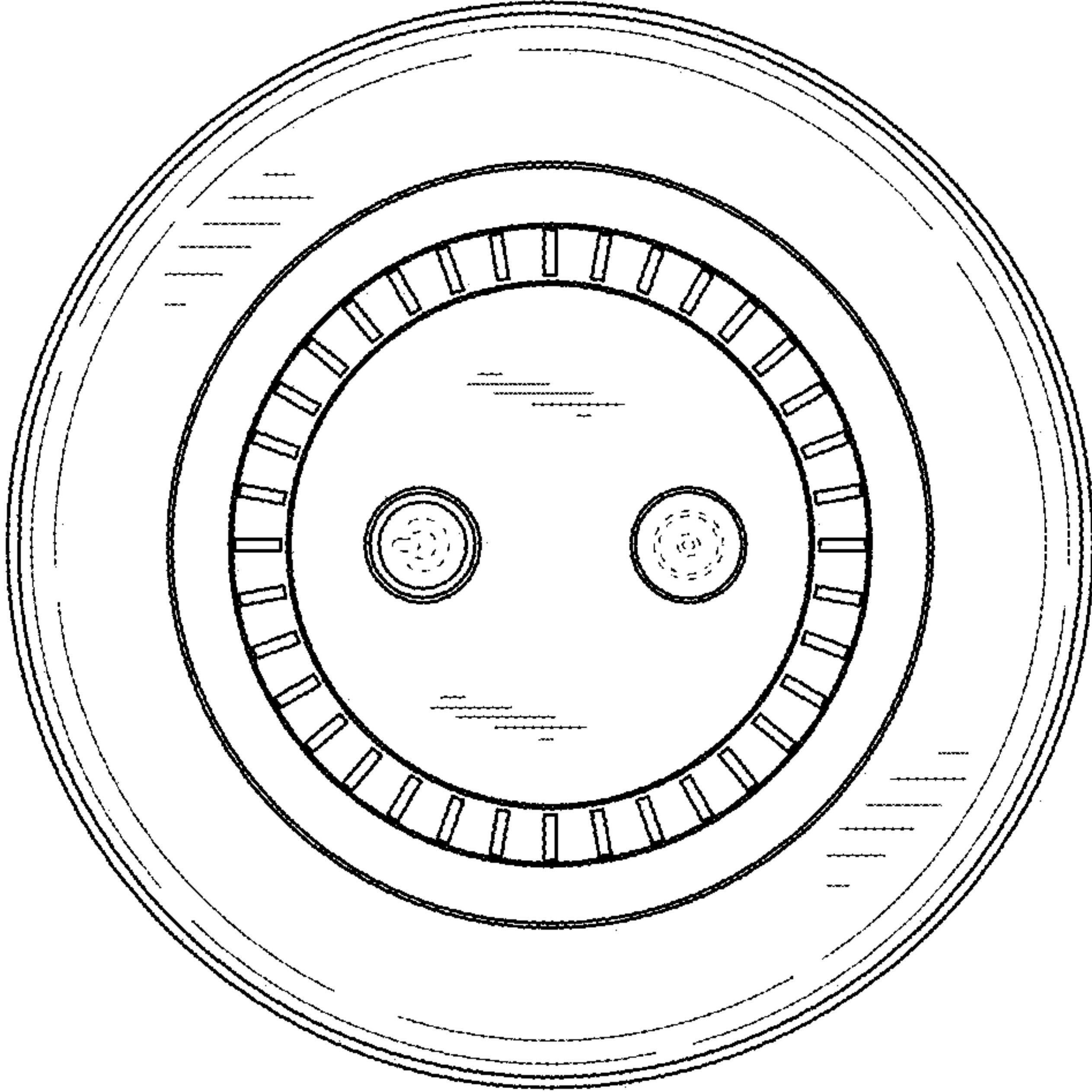


FIG. 4