



US00D972738S

(12) **United States Design Patent** (10) **Patent No.:** **US D972,738 S**  
**Lebowitz** (45) **Date of Patent:** **\*\* Dec. 13, 2022**

(54) **CASE FOR WEARABLE ELECTROCEUTICAL DEVICE**  
(71) Applicant: **Healables, Ltd.**, Jerusalem (IL)  
(72) Inventor: **Moshe Lebowitz**, Jerusalem (IL)  
(73) Assignee: **HEALABLES, LTD.**, Jerusalem (IL)  
(\*\*) Term: **15 Years**  
(21) Appl. No.: **29/753,730**  
(22) Filed: **Oct. 1, 2020**  
(51) **LOC (13) Cl.** ..... **24-01**  
(52) **U.S. Cl.**  
USPC ..... **D24/190**; D24/200  
(58) **Field of Classification Search**  
USPC ..... D24/144, 170, 171, 188, 189, 199, 190,  
D24/192, 200, 206, 215  
CPC .. A61N 1/00; A43B 1/00; A43B 13/00; A61H  
1/00; A61H 7/00; A61H 2201/00  
See application file for complete search history.

2015/0342314 A1\* 12/2015 Christy ..... A45C 11/182  
206/38  
2016/0135560 A1\* 5/2016 Yeh ..... H04B 1/3888  
224/581  
2017/0348520 A1\* 12/2017 Busch ..... A61N 1/0456  
2019/0307604 A1\* 10/2019 Ainslie ..... C25B 1/22  
2020/0046968 A1\* 2/2020 Herr ..... A61N 1/327  
(Continued)

**FOREIGN PATENT DOCUMENTS**

EM 008475099-0002 \* 5/2021  
HK 1500387-0005 \* 4/2016

**OTHER PUBLICATIONS**

Healables Digital Health, Jun. 22, 2021, youtube.com [online], [site visited Apr. 15, 2022], Available from internet, URL: <https://www.youtube.com/watch?v=LZOBUE0CScJE> (Year: 2021).\*  
(Continued)

*Primary Examiner* — Wendy L Arminio  
*Assistant Examiner* — Maheen Khurshid  
(74) *Attorney, Agent, or Firm* — Browdy and Neimark, PLLC

(56) **References Cited**  
U.S. PATENT DOCUMENTS

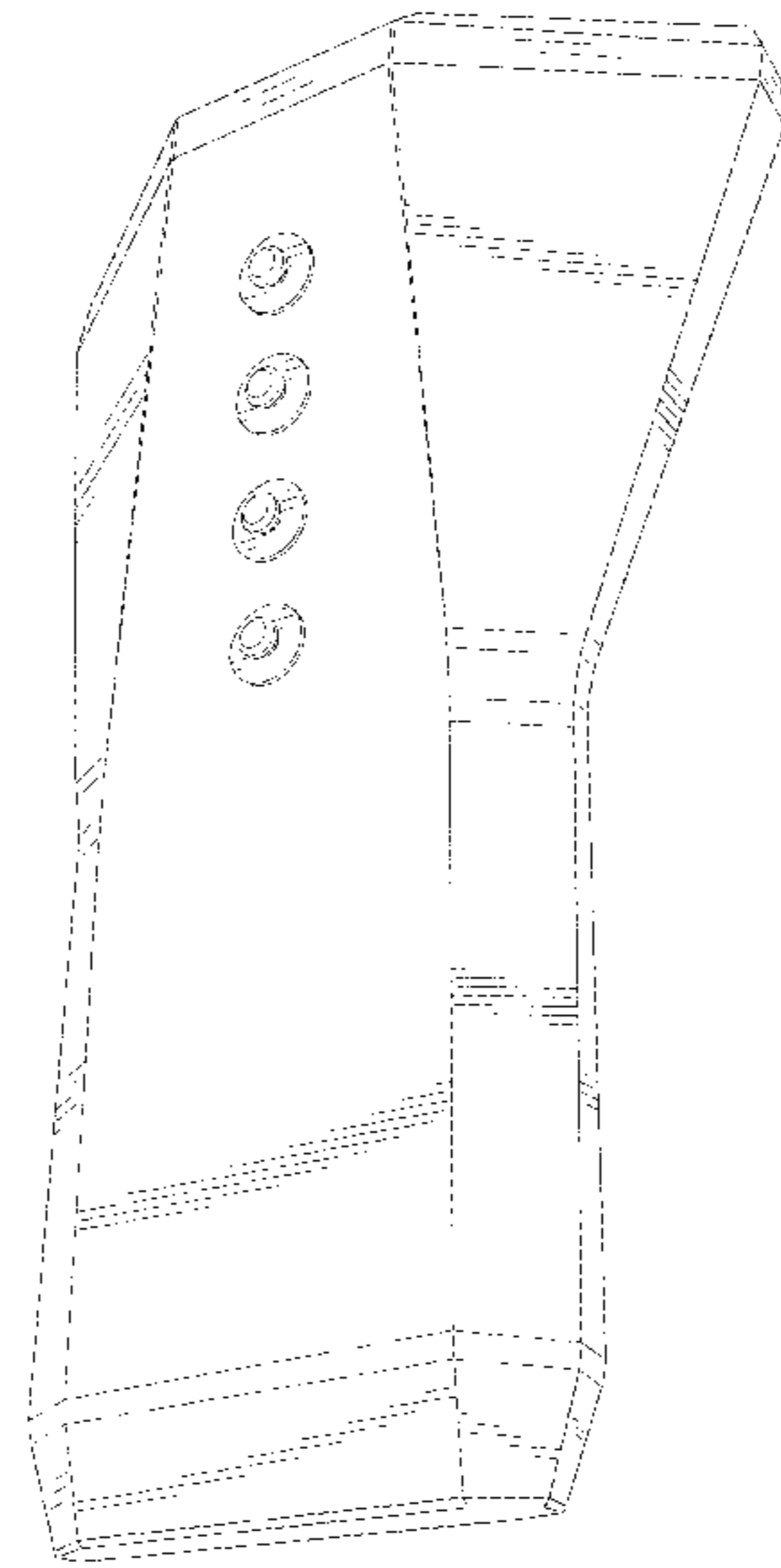
D219,191 S \* 11/1970 Bremshey ..... D3/11  
D258,250 S \* 2/1981 Merzon ..... D8/336  
D403,779 S \* 1/1999 Davis ..... D24/190  
D598,554 S \* 8/2009 Chen ..... D24/190  
D682,070 S \* 5/2013 Rothbaum ..... D8/356  
D721,376 S \* 1/2015 Lee ..... D14/440  
D769,854 S \* 10/2016 Duval ..... D14/250  
D799,757 S \* 10/2017 Erwin ..... D30/145  
D810,309 S \* 2/2018 Forbes ..... D24/190  
10,993,339 B2 \* 4/2021 Mayfield ..... A45C 11/04  
D930,640 S \* 9/2021 Yeo ..... D14/250  
D946,562 S \* 3/2022 Emery ..... D3/249  
2009/0182393 A1 \* 7/2009 Bachinski ..... A61N 1/0468  
604/20  
2013/0213826 A1 \* 8/2013 Partridge ..... F16M 11/105  
206/45.24

(57) **CLAIM**  
The ornamental design for a case for wearable electroceutical device, as shown and described.

**DESCRIPTION**

FIG. 1 is a perspective view of a case for wearable electroceutical device according to the present design;  
FIG. 2 is a rear perspective view thereof;  
FIG. 3 is a top view thereof;  
FIG. 4 is a bottom view thereof;  
FIG. 5 is a front view thereof;  
FIG. 6 is a rear view thereof;  
FIG. 7 is a left side view thereof; and,  
FIG. 8 is a right side view thereof.

**1 Claim, 6 Drawing Sheets**



(56)

**References Cited**

U.S. PATENT DOCUMENTS

2020/0188154 A1\* 6/2020 Hsu ..... A61H 7/004  
2020/0315523 A1\* 10/2020 Tesnow ..... A61B 5/4585  
2022/0087833 A1\* 3/2022 Farris ..... B25J 19/005

OTHER PUBLICATIONS

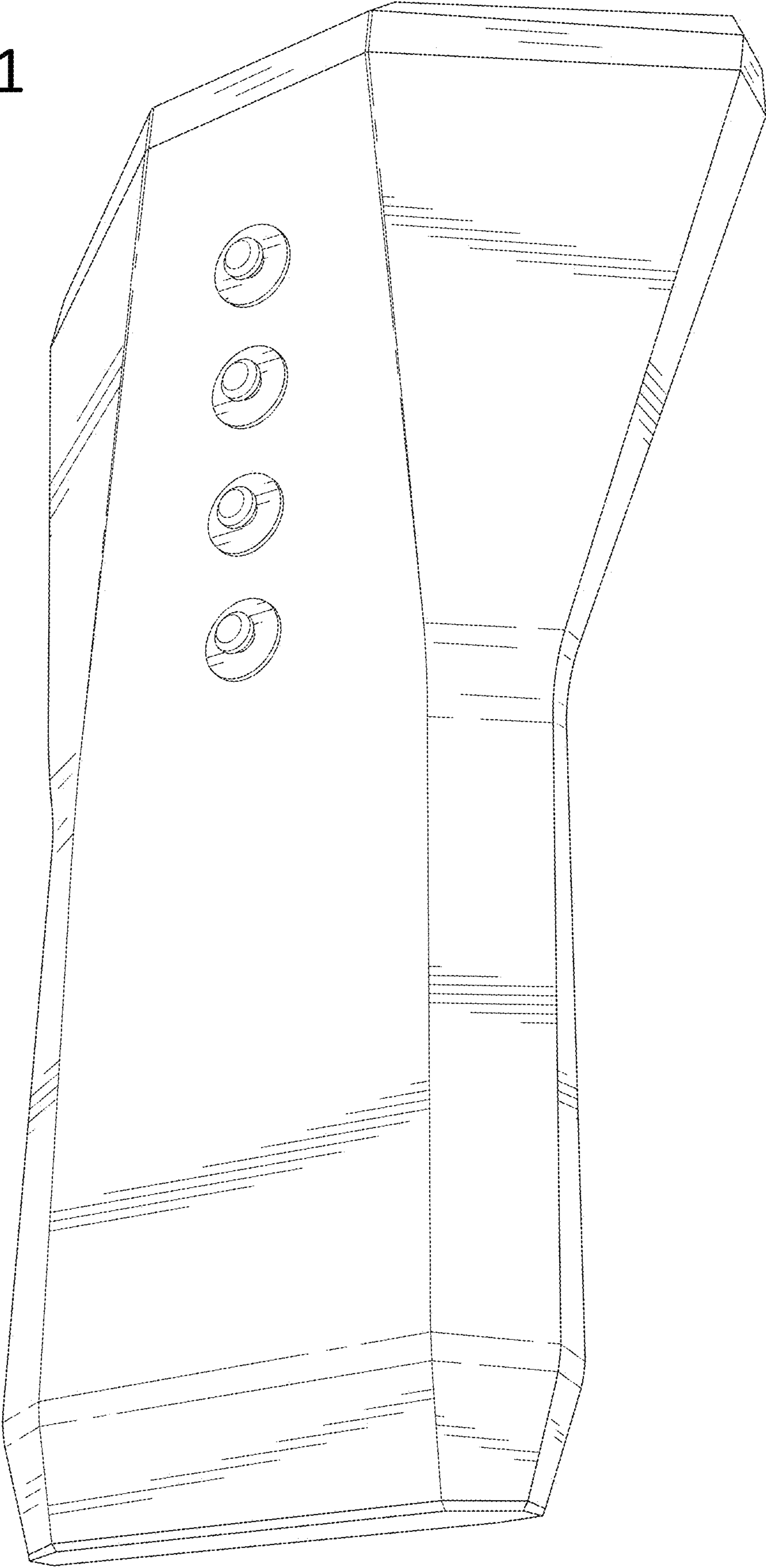
Kimia—a knee-rehabilitation wearable, Sep. 17, 2020, youtube.com [online], [site visited Apr. 15, 2022], Available from internet, URL: <<https://www.youtube.com/watch?v=UhqEi5XgZcQ>> (Year: 2020).\*

Using the Hyperice Venom Leg Device, Apr. 4, 2019, youtube.com [online], [site visited Apr. 15, 2022], Available from internet, URL: <<https://www.youtube.com/watch?v=o8pkVwTnimE>> (Year: 2019).\*

Knee Massager, Jul. 7, 2021, amazon.com [online], [site visited Apr. 15, 2022], Available from internet, URL: <[https://www.amazon.com/Massager-Vibration-Arthritis-Circulation-Rechargeable/dp/B098T4XBCB/ref=psdc\\_3760941\\_t2\\_B09PHCXJQL](https://www.amazon.com/Massager-Vibration-Arthritis-Circulation-Rechargeable/dp/B098T4XBCB/ref=psdc_3760941_t2_B09PHCXJQL)> (Year: 2021).\*

\* cited by examiner

FIG. 1



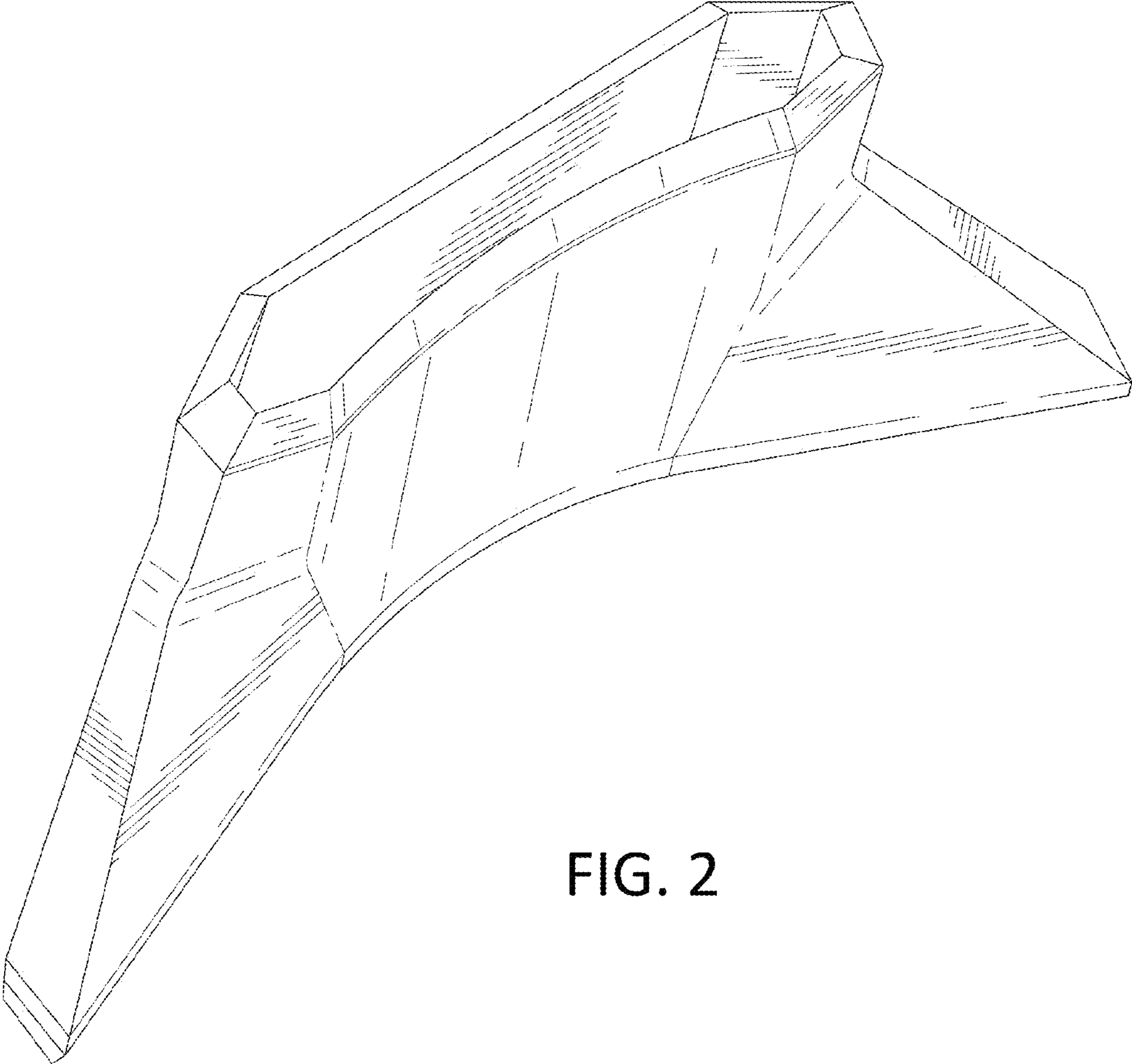


FIG. 2

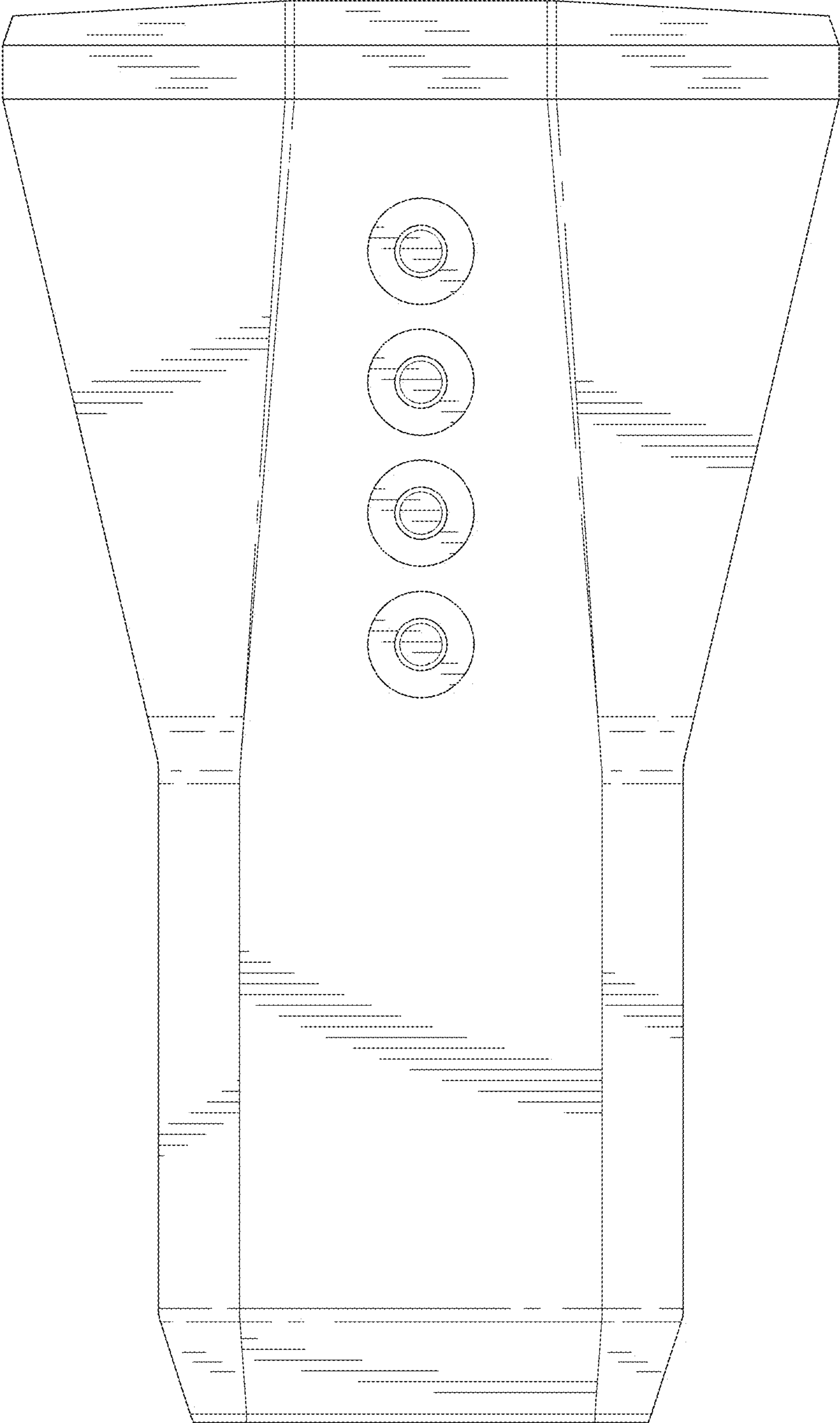


FIG. 3



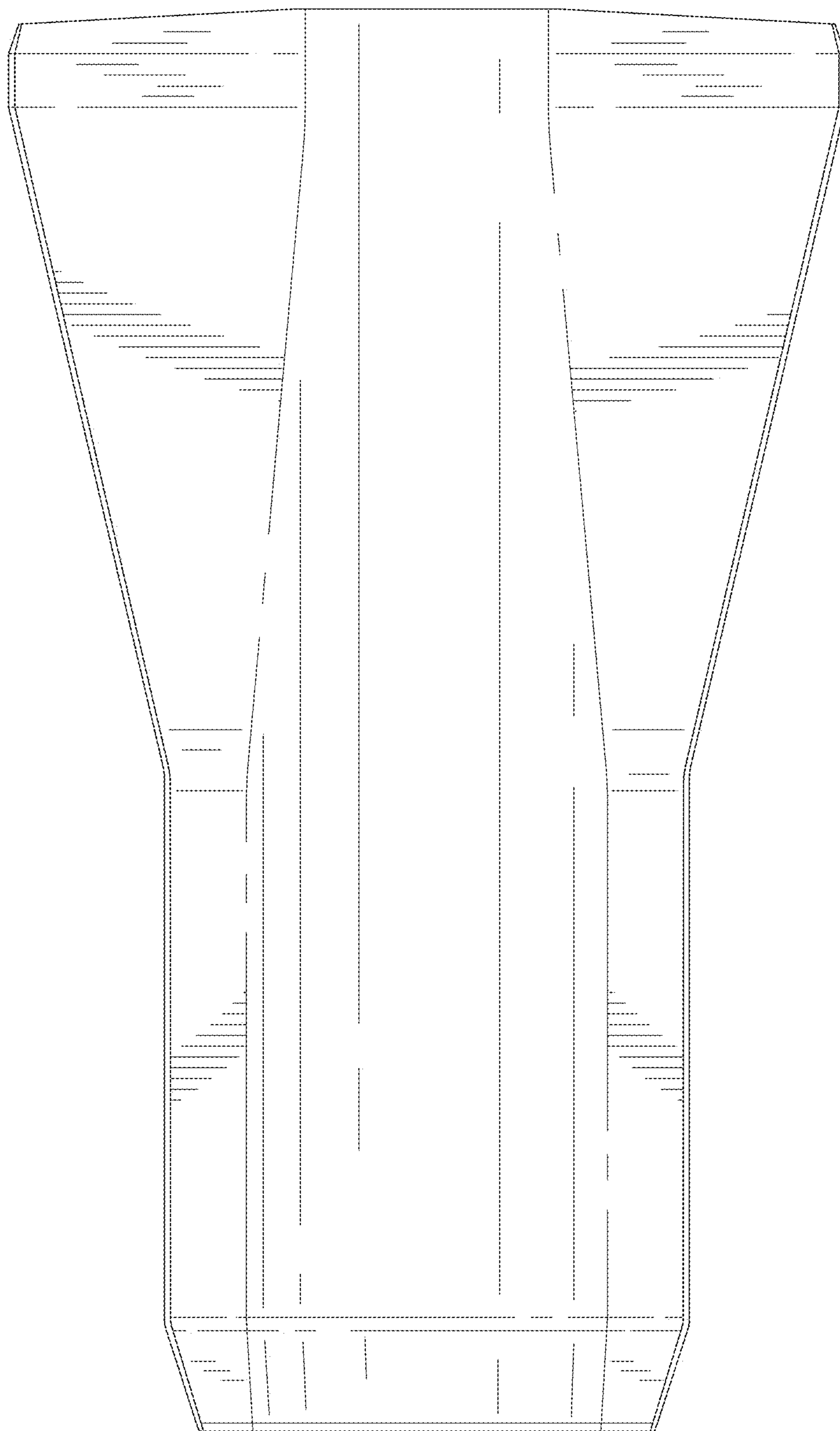


FIG. 4

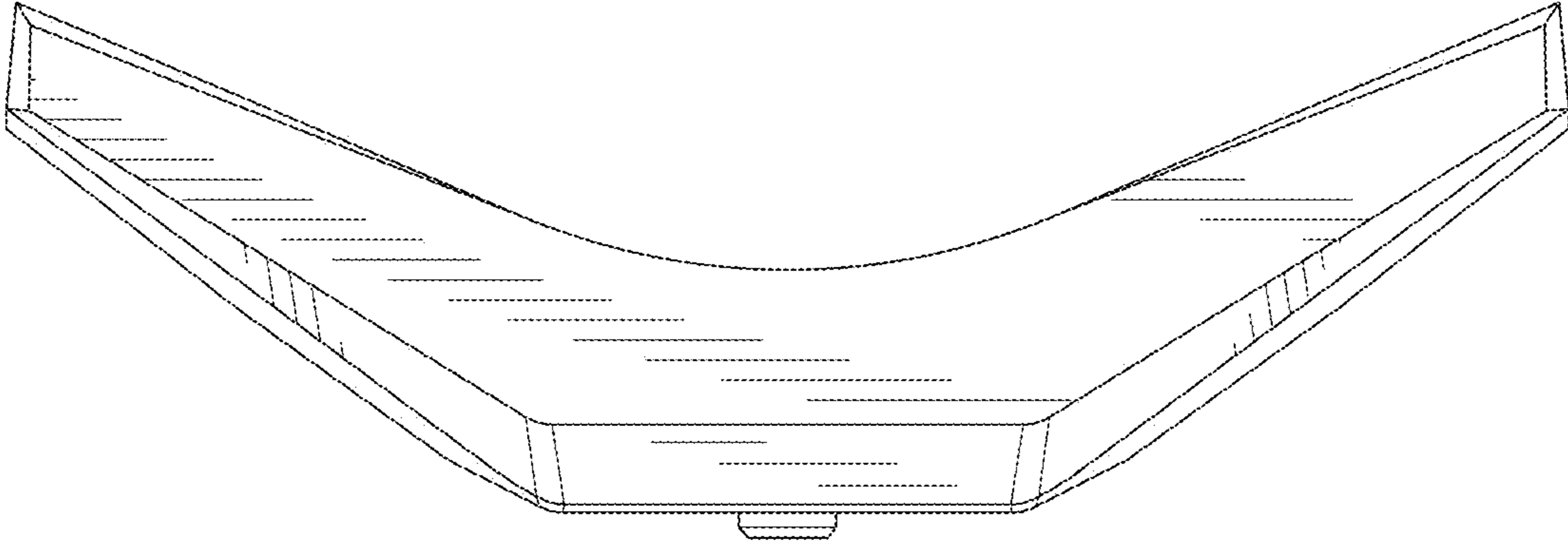


FIG. 5

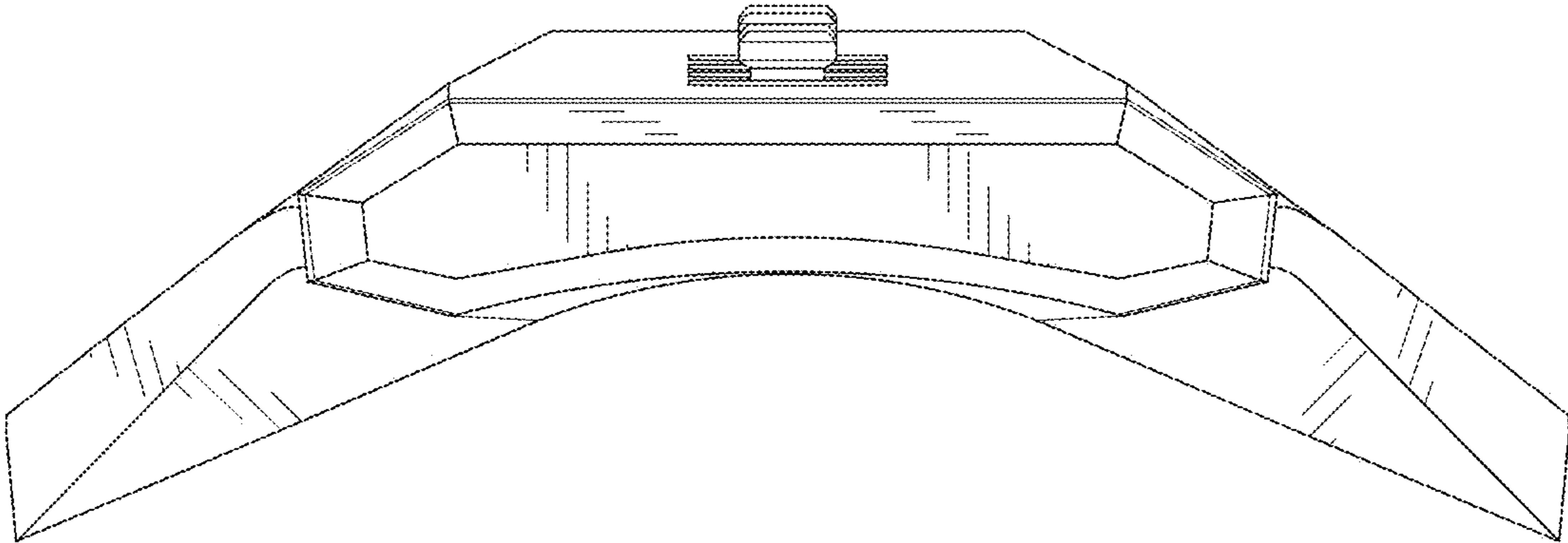


FIG. 6

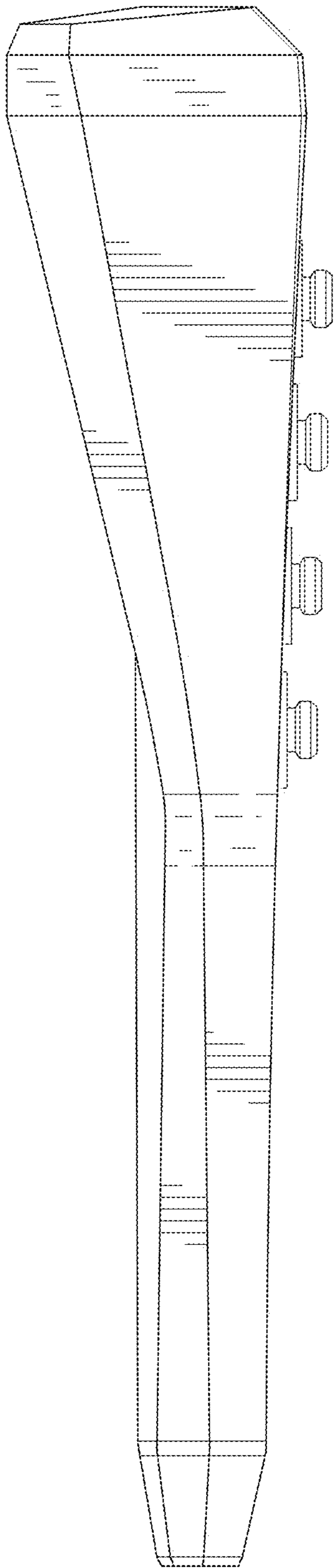


FIG. 7

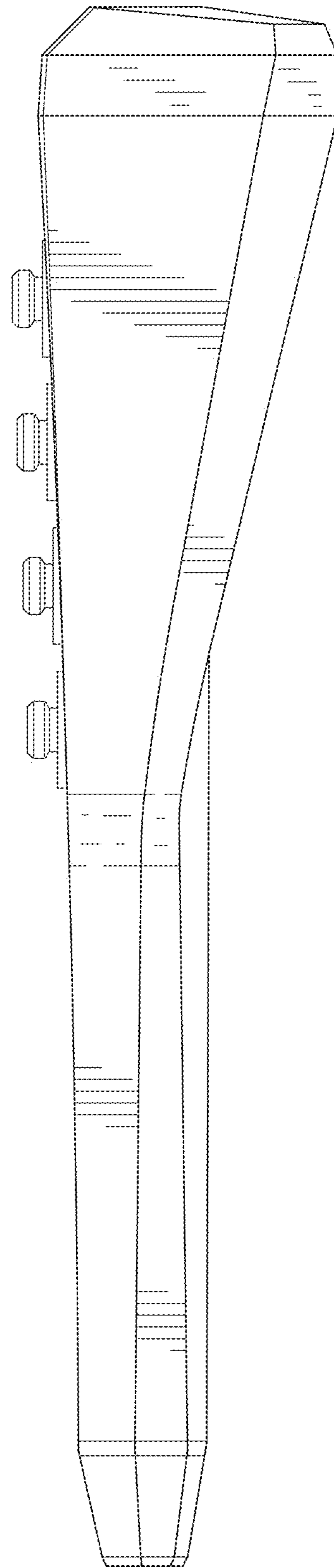


FIG. 8