



US00D972733S

(12) **United States Design Patent** (10) **Patent No.:** **US D972,733 S**
Smith et al. (45) **Date of Patent:** **** Dec. 13, 2022**

(54) **EXAMINATION TABLE**

FOREIGN PATENT DOCUMENTS

(71) Applicant: **Midmark Corporation**, Versailles, OH (US)

KR 3020200012688 * 1/2021

(72) Inventors: **Arthur Dale Smith**, Greenville, OH (US); **Benjamin Carl Seger**, Ansonia, OH (US); **Kenneth Paul Wolters**, Minster, OH (US); **Jason A. Male**, Grayslake, IL (US); **Thomas John Helmick**, Bradford, OH (US); **Joseph Edwin Martin**, Arcanum, OH (US); **Michael Todd Cavins**, Marysville, OH (US); **Rainer Bernhard Teufel**, Worthington, OH (US); **Jeffrey T. DeBord**, Worthington, OH (US)

OTHER PUBLICATIONS

Exam Chair 626 Model Barrier-Free® 650 lbs. Weight Capacity. Online, published date unknown. Retrieved on Oct. 10, 2021 from URL: <https://mms.mckesson.com/product/1094090/Midmark-626-003>.*

(Continued)

Primary Examiner — Omeed Agilee

(74) *Attorney, Agent, or Firm* — Frost Brown Todd LLC

(73) Assignee: **Midmark Corporation**, Versailles, OH (US)

(57) **CLAIM**

The ornamental design for an examination table, as shown and described.

(**) Term: **15 Years**

DESCRIPTION

(21) Appl. No.: **29/749,058**

(22) Filed: **Sep. 2, 2020**

Related U.S. Application Data

(63) Continuation of application No. 29/636,620, filed on Feb. 9, 2018, now Pat. No. Des. 899,602.

(51) **LOC (13) Cl.** **24-02**

(52) **U.S. Cl.**
USPC **D24/183**

(58) **Field of Classification Search**
USPC D24/159, 183–184, 200; D6/335–337, D6/367, 595–596, 601, 604–605
(Continued)

FIG. 1 is a front perspective view of an examination table showing our new design in a raised state; FIG. 2 is a rear perspective view thereof; FIG. 3 is a front elevational view thereof; FIG. 4 is a rear elevational view thereof; FIG. 5 is a left side elevational view thereof; FIG. 6 is a right side elevational view thereof; FIG. 7 is a top plan view thereof; FIG. 8 is a bottom plan view thereof; FIG. 9 is a front perspective view of the examination table showing our new design in a lowered state; FIG. 10 is a rear perspective view thereof; FIG. 11 is a front elevational view thereof; FIG. 12 is a rear elevational view thereof; FIG. 13 is a left side elevational view thereof; FIG. 14 is a right side elevational view thereof; FIG. 15 is a top plan view thereof; and, FIG. 16 is a bottom plan view thereof.

The broken lines depict portions of the examination table that form no part of the claimed design.

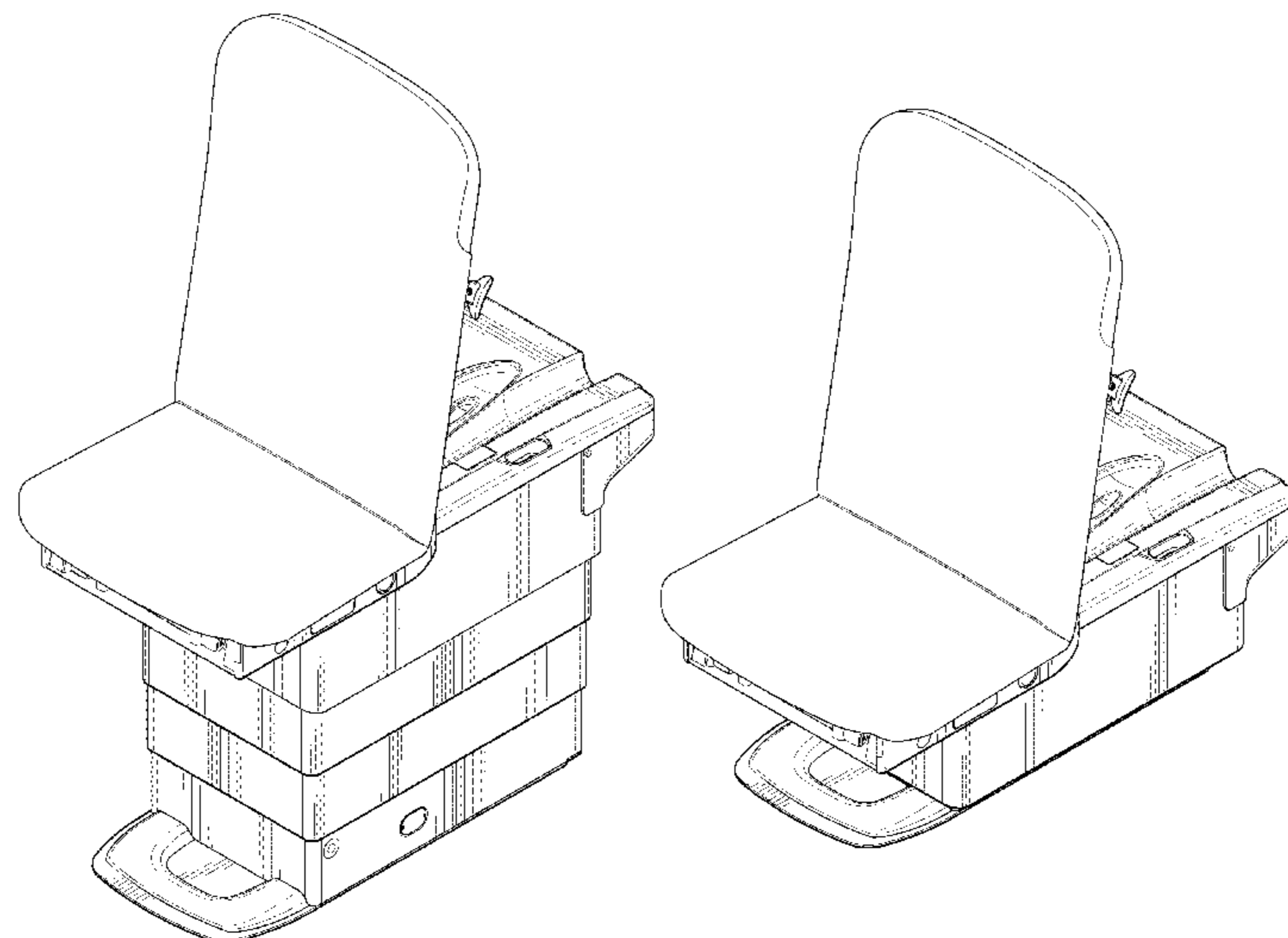
(56) **References Cited**

U.S. PATENT DOCUMENTS

D855,185 S * 7/2019 Chang D24/159
D856,519 S * 8/2019 Kim D24/159

(Continued)

1 Claim, 16 Drawing Sheets



(58) **Field of Classification Search**

CPC A61B 6/04; A61B 6/0407; A61F 5/3723;
A61G 13/0018; A61G 5/10; A61G 15/00

See application file for complete search history.

(56) **References Cited**

U.S. PATENT DOCUMENTS

D861,870 S * 10/2019 Chang D24/159
D899,602 S * 10/2020 Smith D24/183
D911,068 S * 2/2021 Helmick D6/601
D911,528 S * 2/2021 Sun D24/183
2002/0189014 A1* 12/2002 Siepmann A61G 13/0018
5/617
2006/0191072 A1* 8/2006 Hempker A61G 13/10
5/600
2007/0056103 A1* 3/2007 Magoteaux A61G 13/0018
5/600
2012/0042451 A1* 2/2012 Jones A61G 13/0018
5/618

OTHER PUBLICATIONS

Ritter 304 Examination Table—Certified Refurbished. Online, published date unknown. Retrieved on Oct. 10, 2021 from URL: <https://mfimedical.com/products/ritter-304-examination-table>.*

* cited by examiner

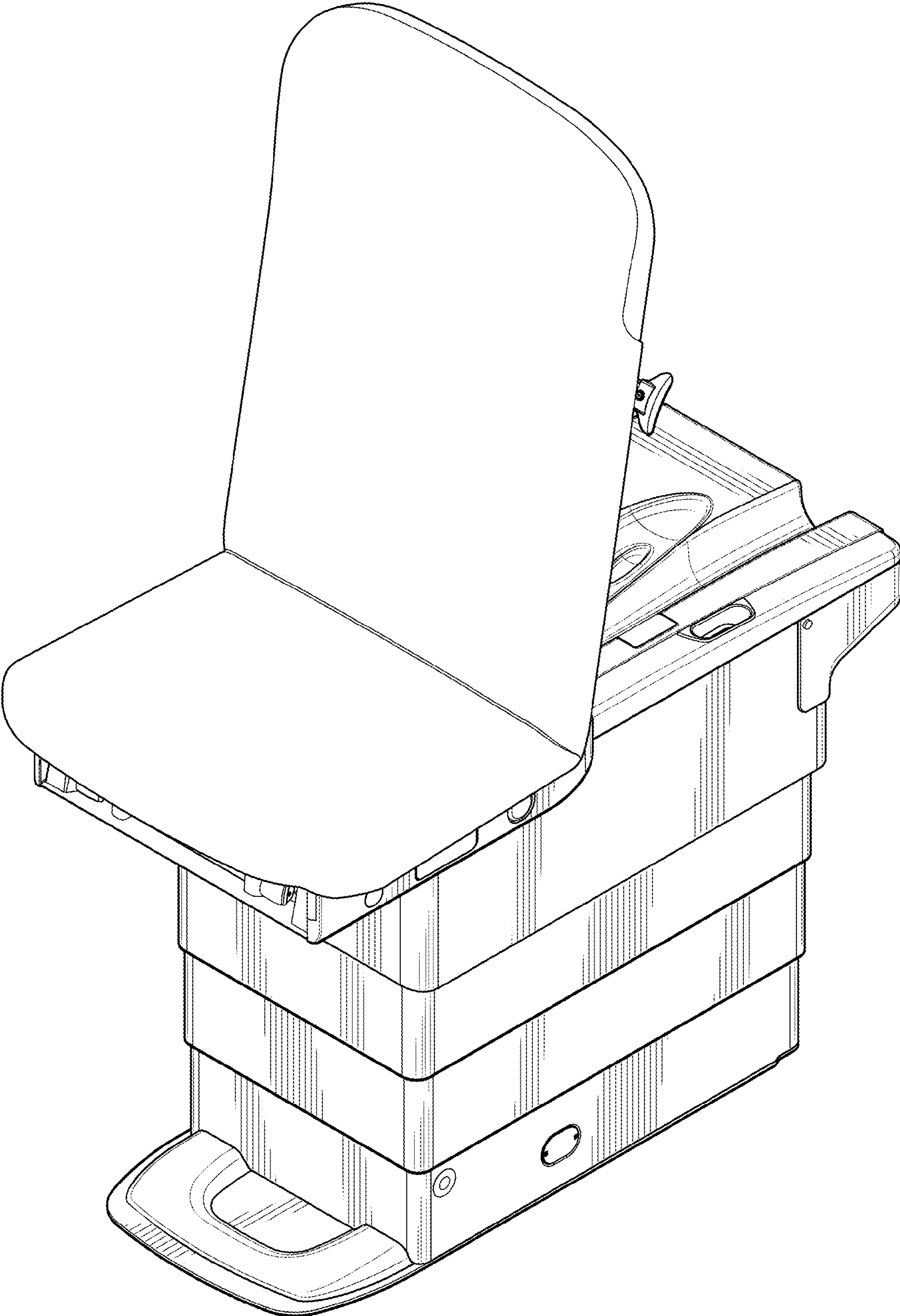


FIG. 1

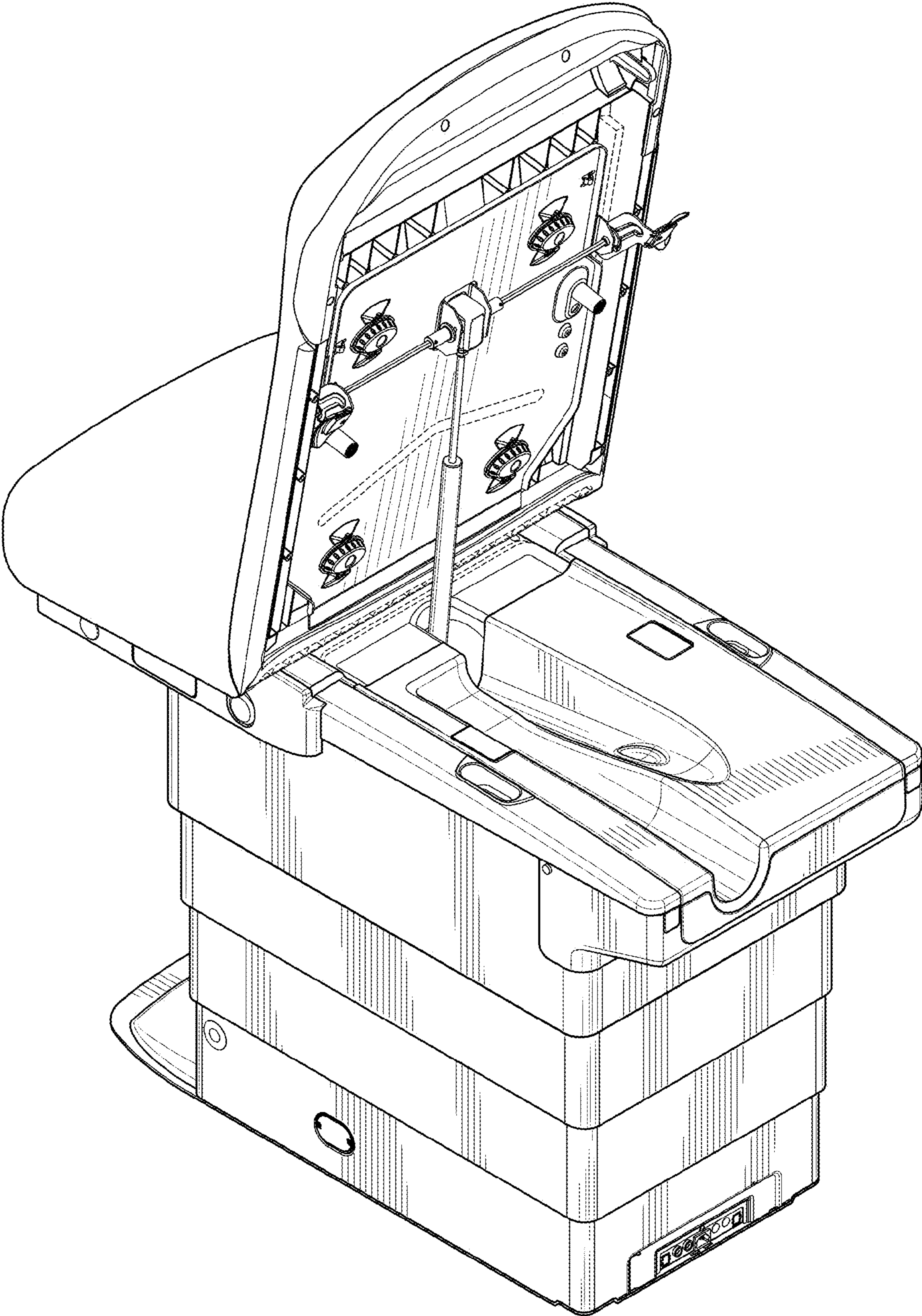


FIG. 2

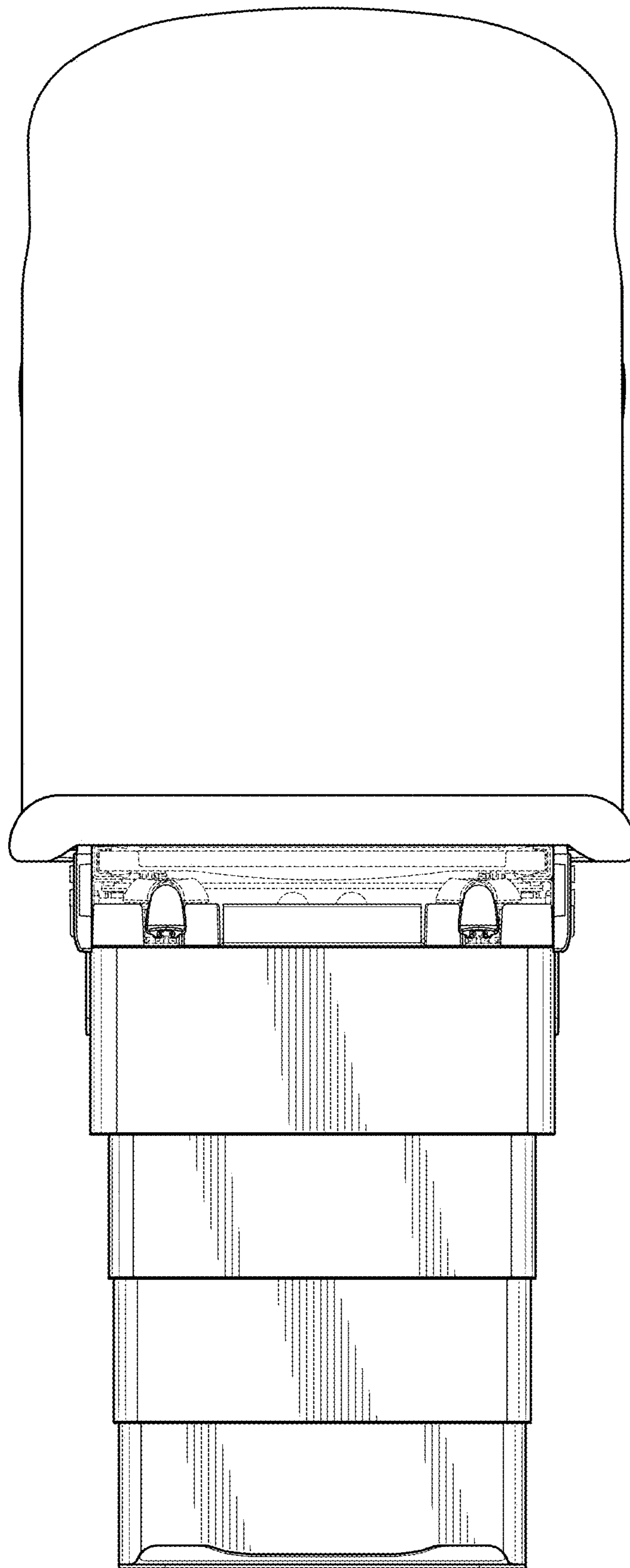


FIG. 3

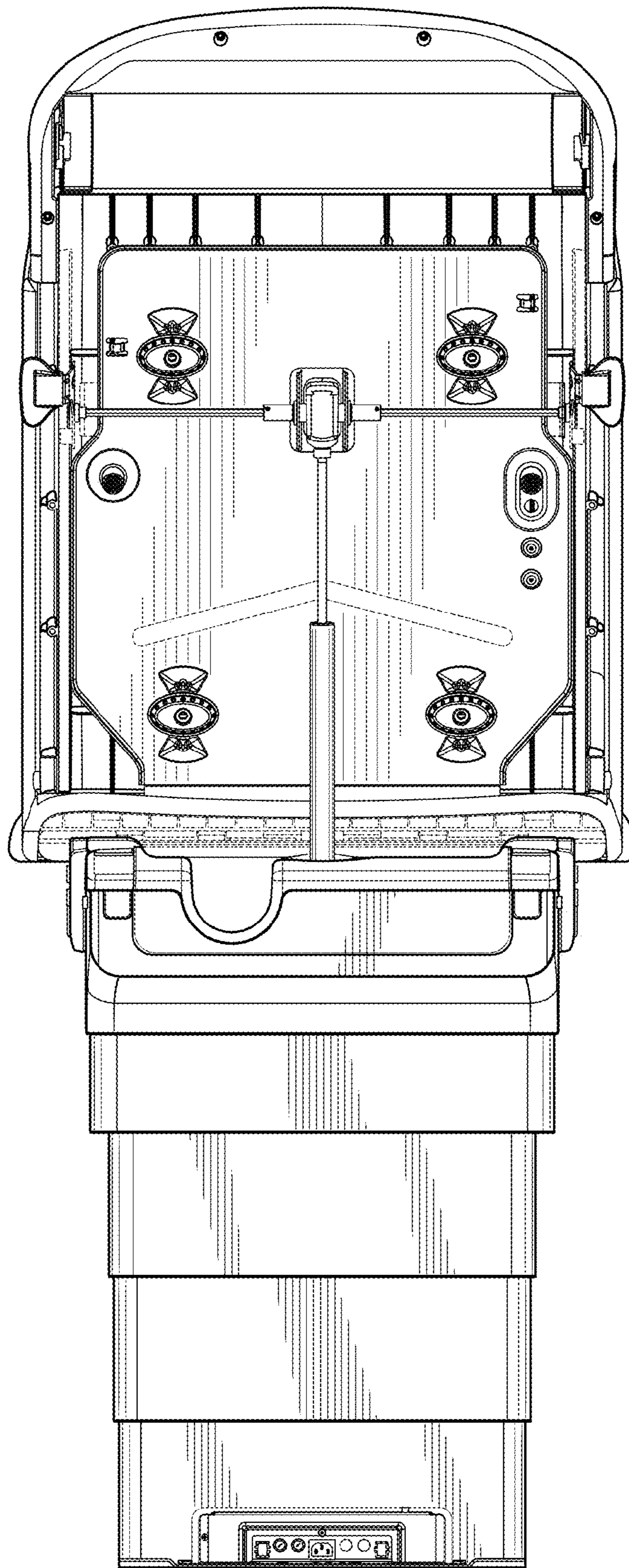


FIG. 4

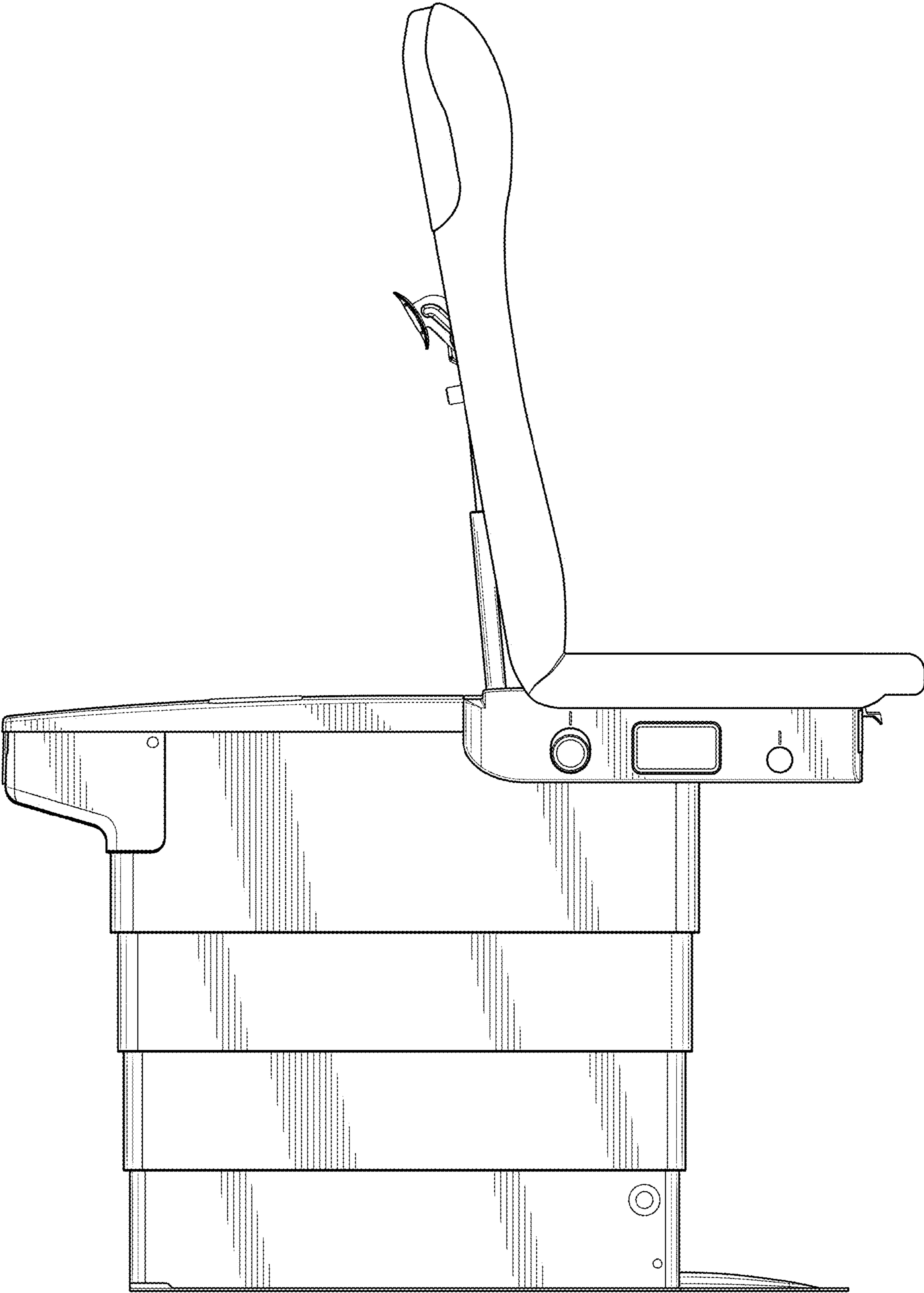


FIG. 5

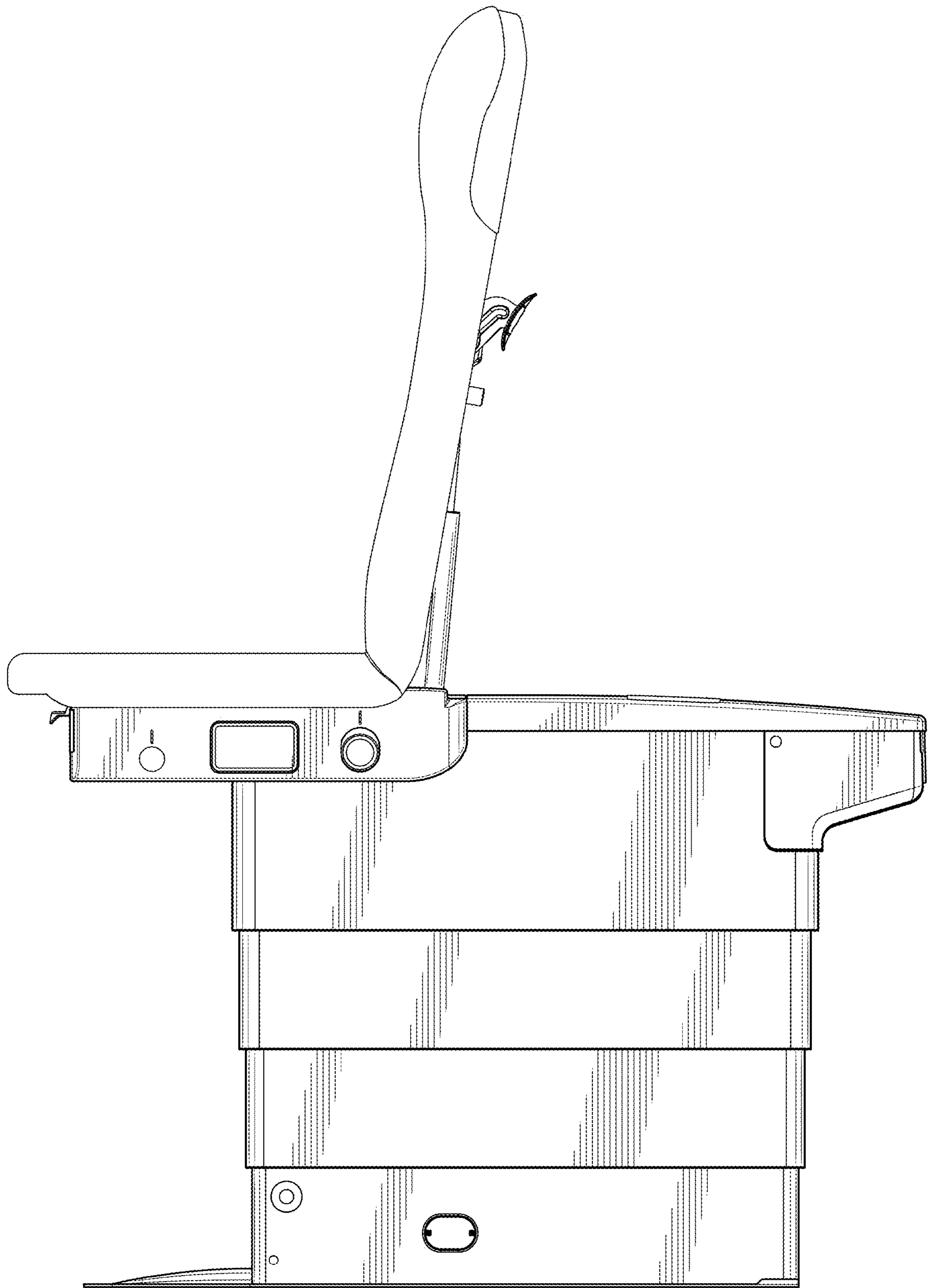


FIG. 6

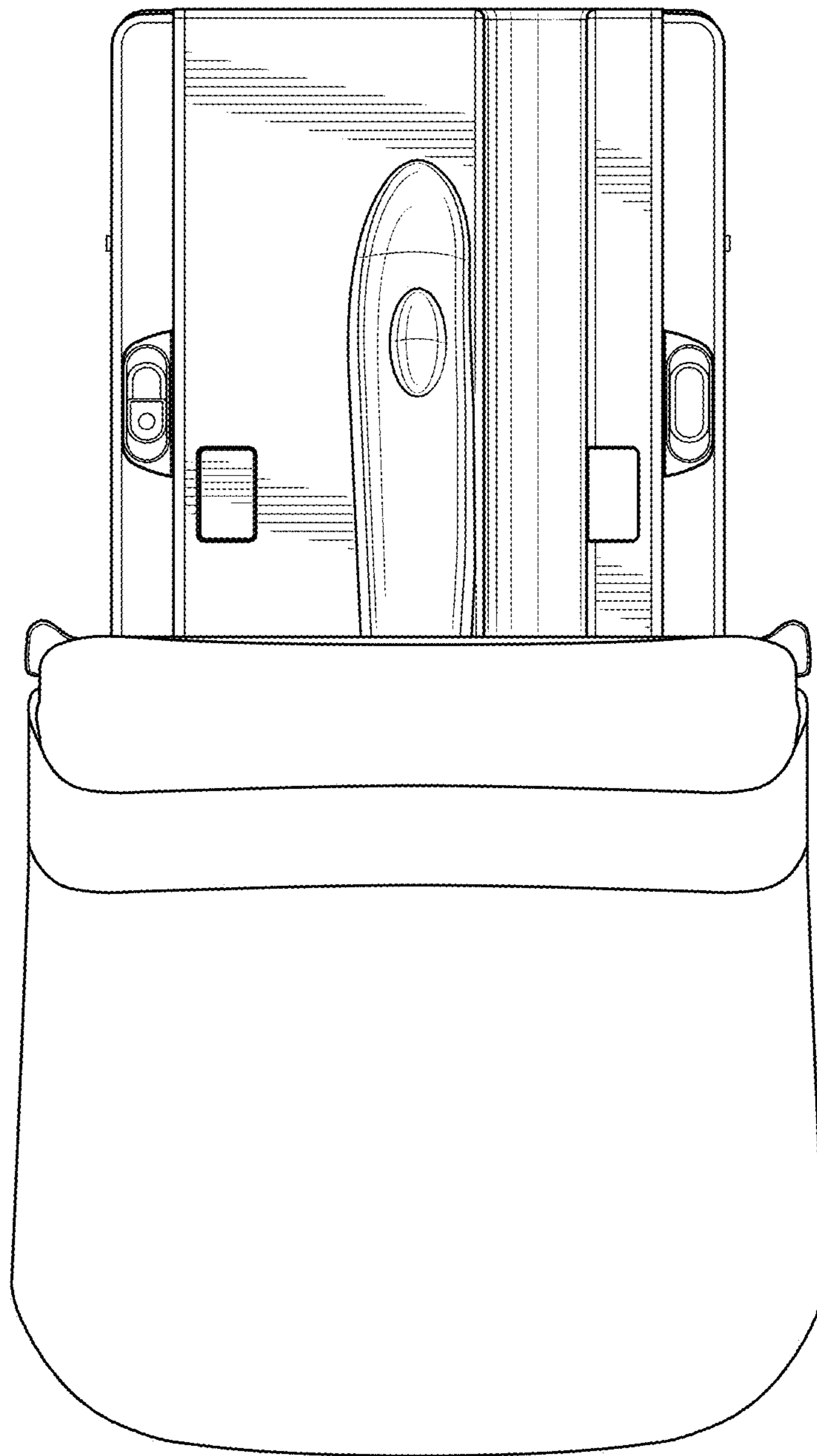


FIG. 7

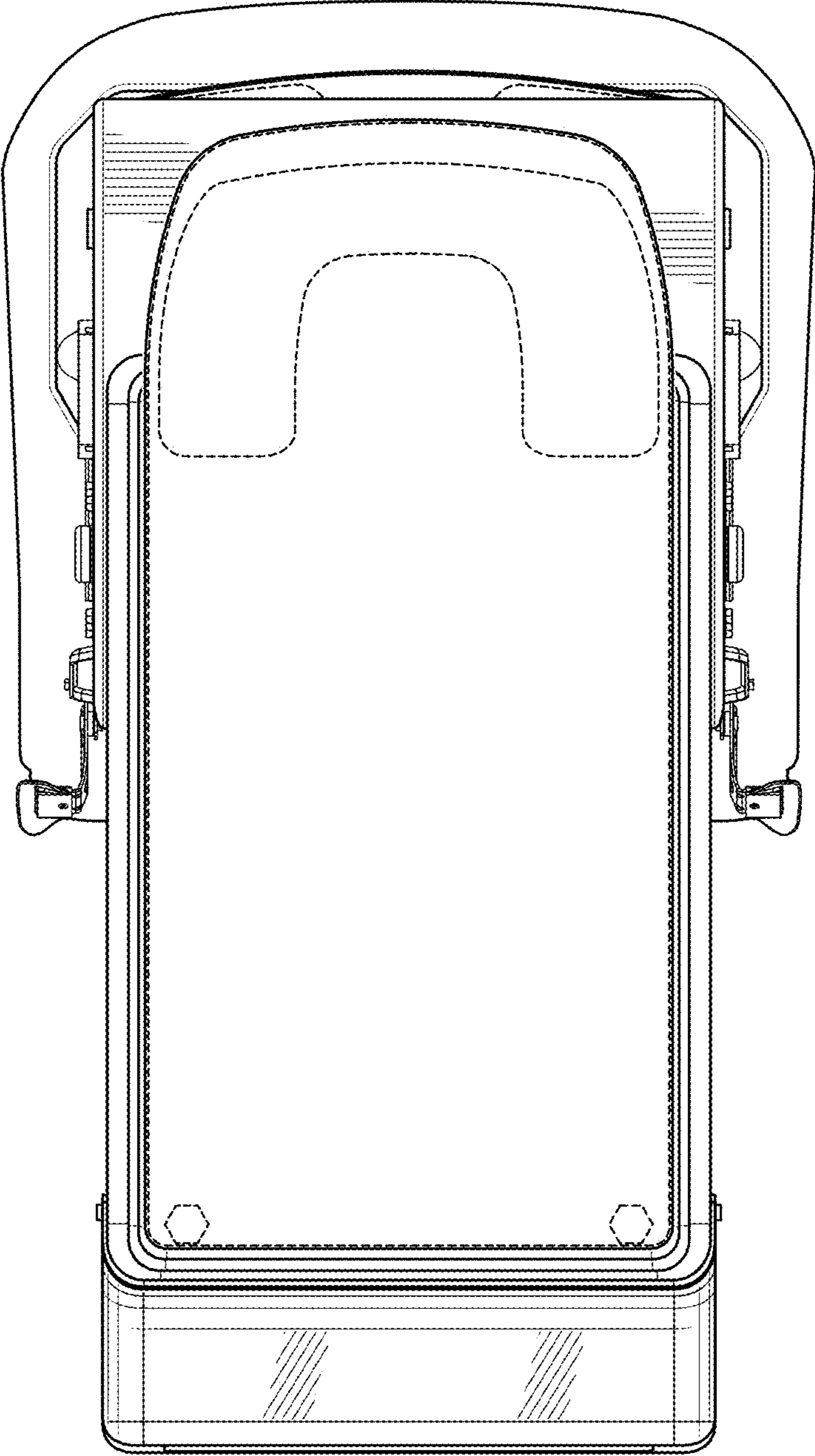


FIG. 8

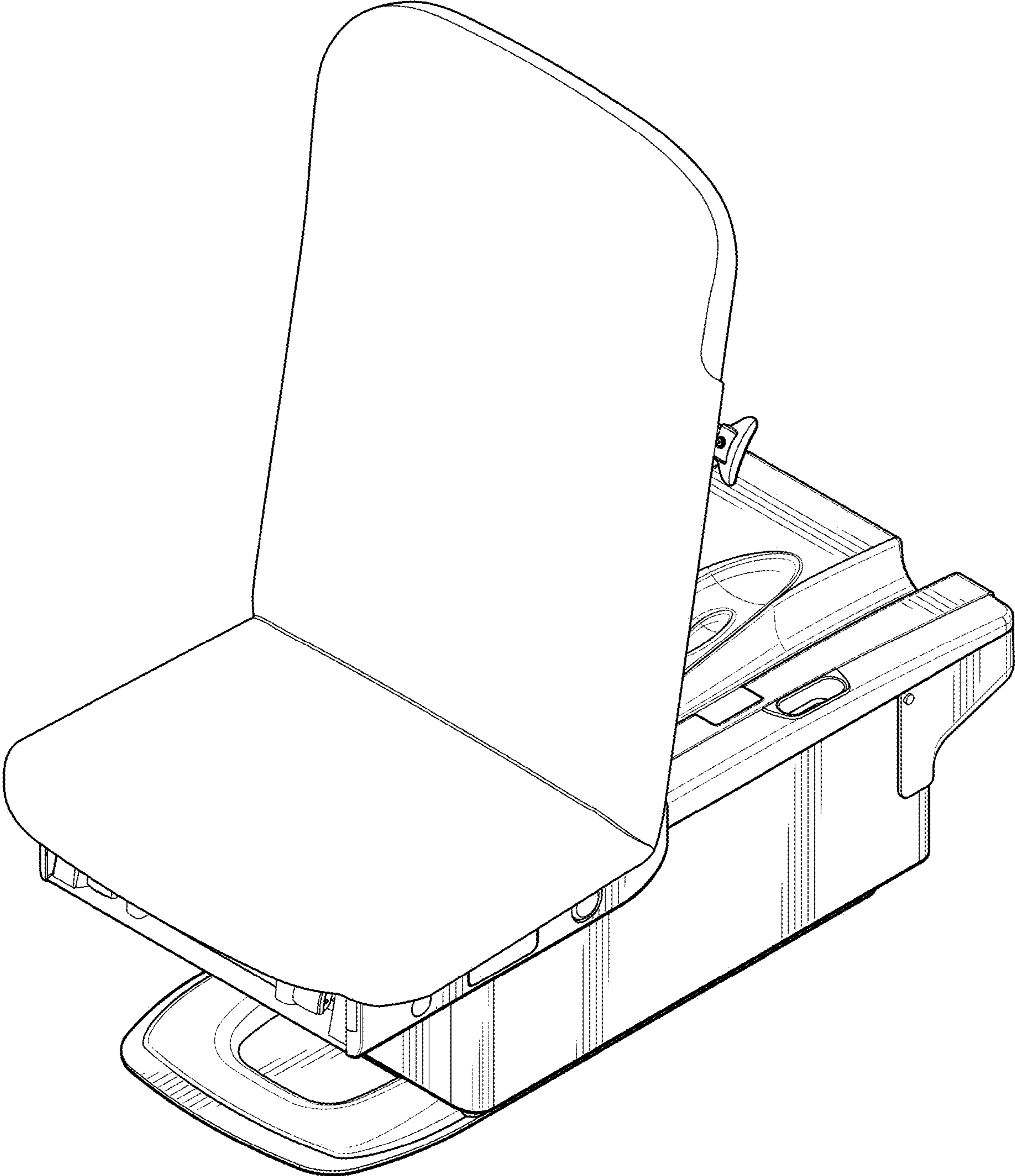


FIG. 9

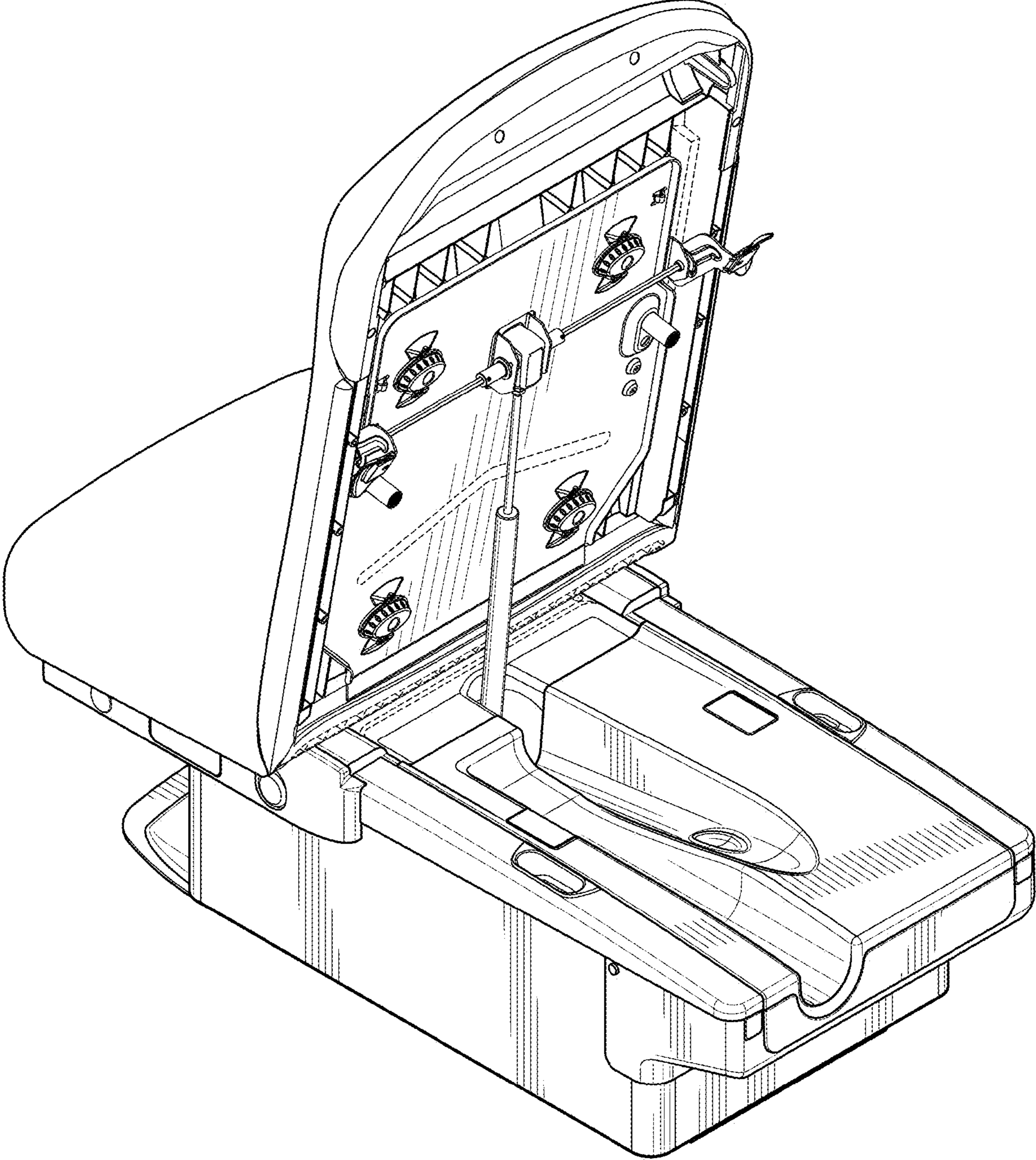


FIG. 10

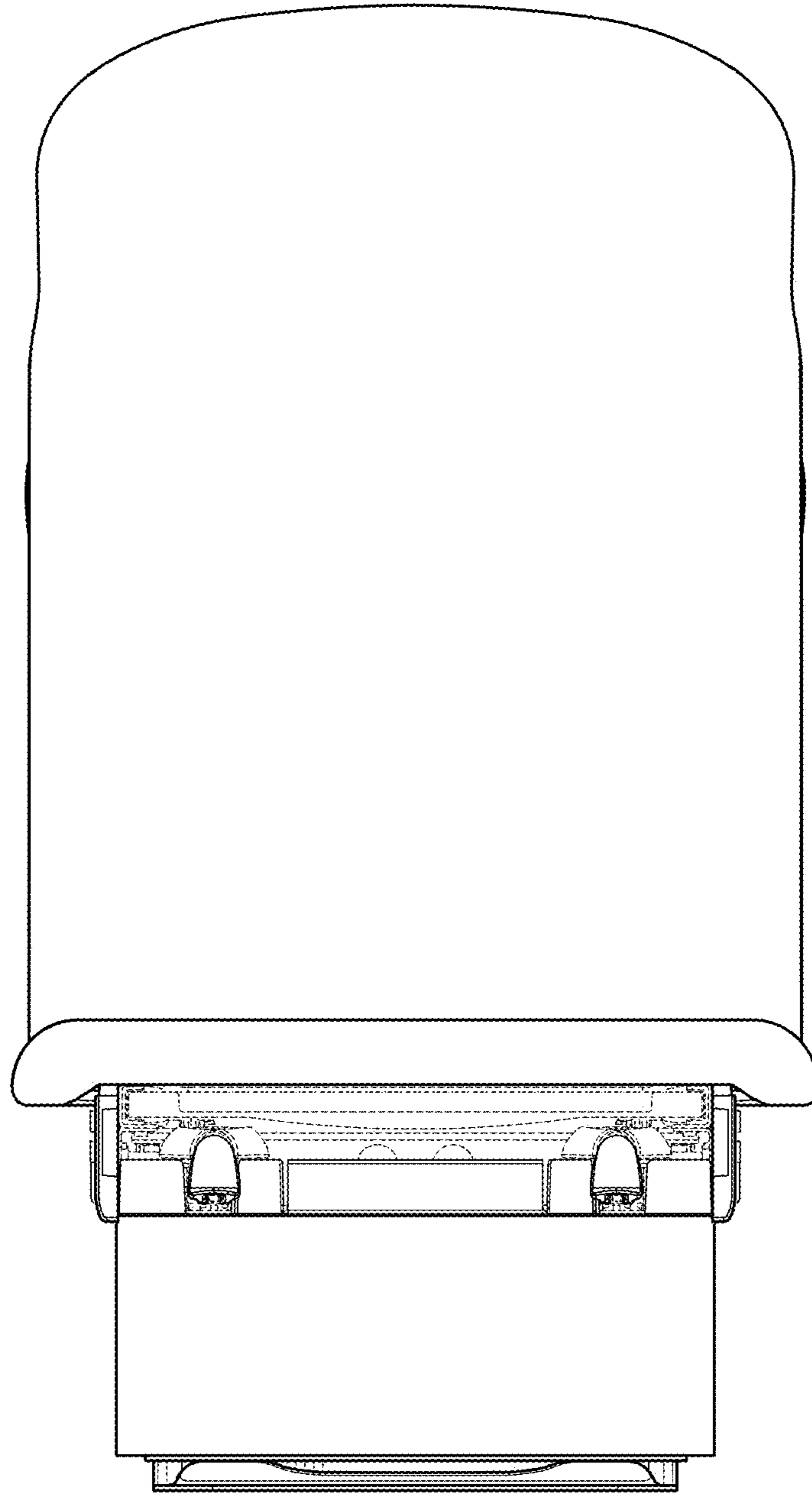


FIG. 11

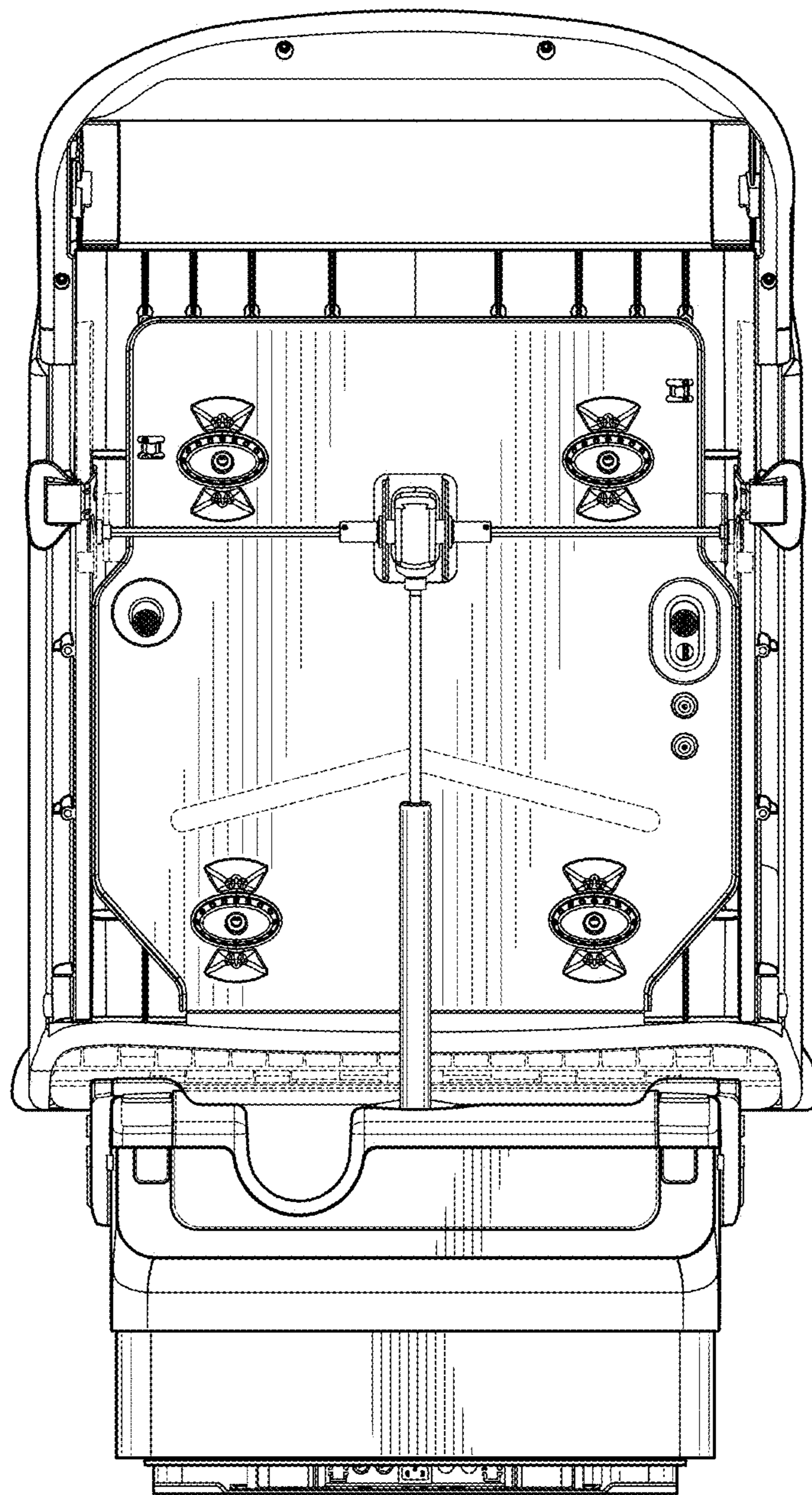


FIG. 12

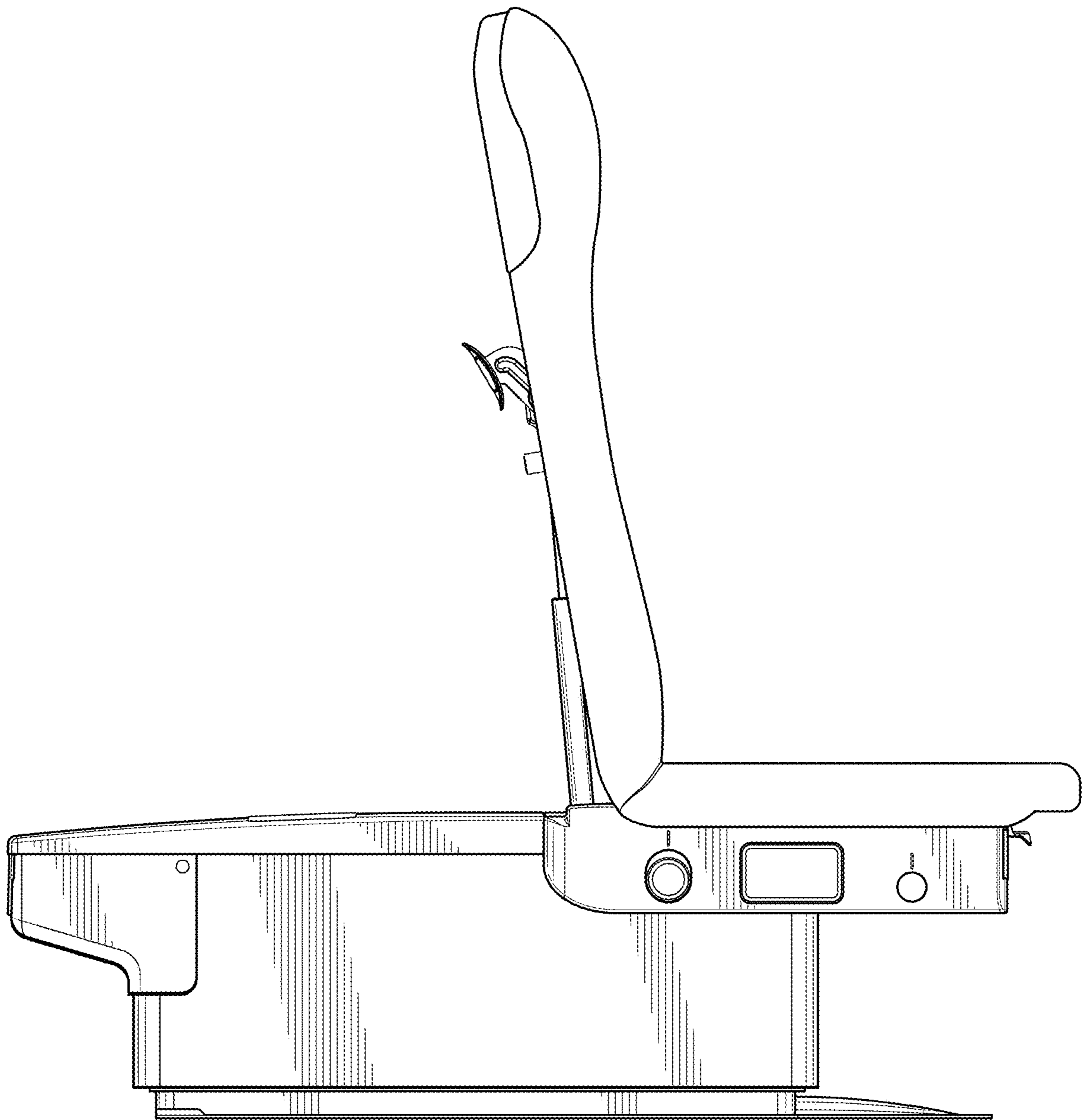


FIG. 13

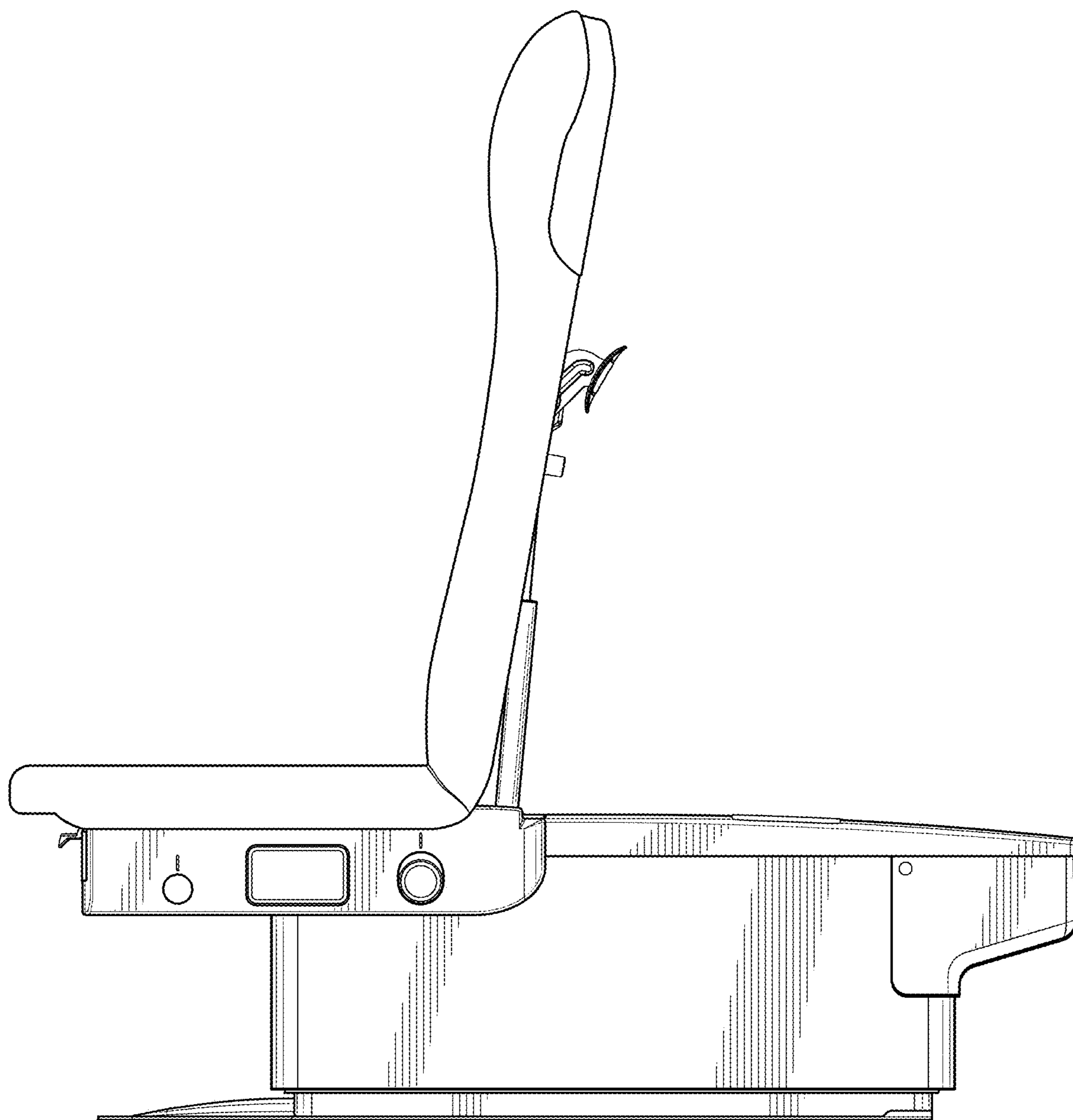


FIG. 14

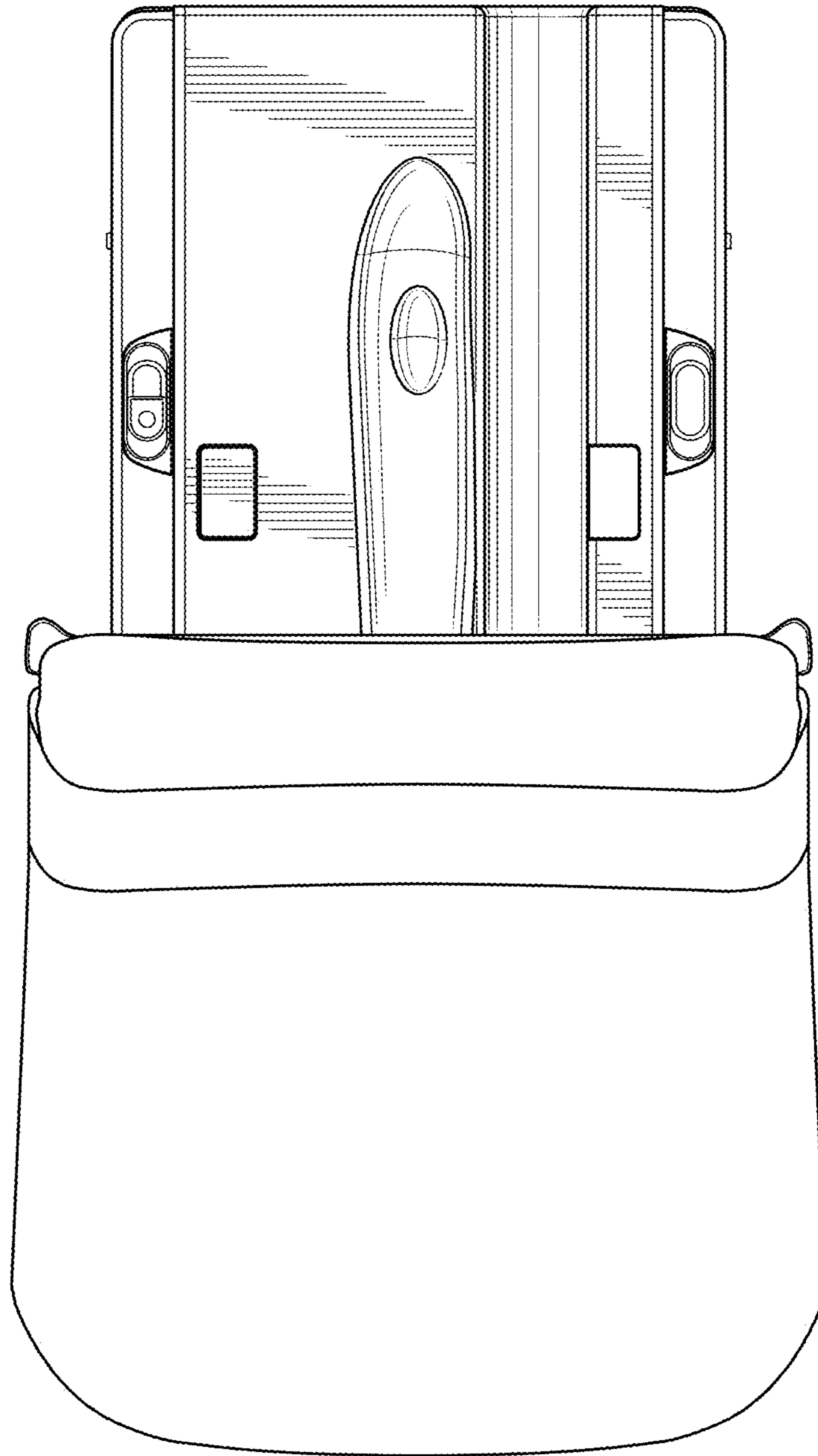


FIG. 15

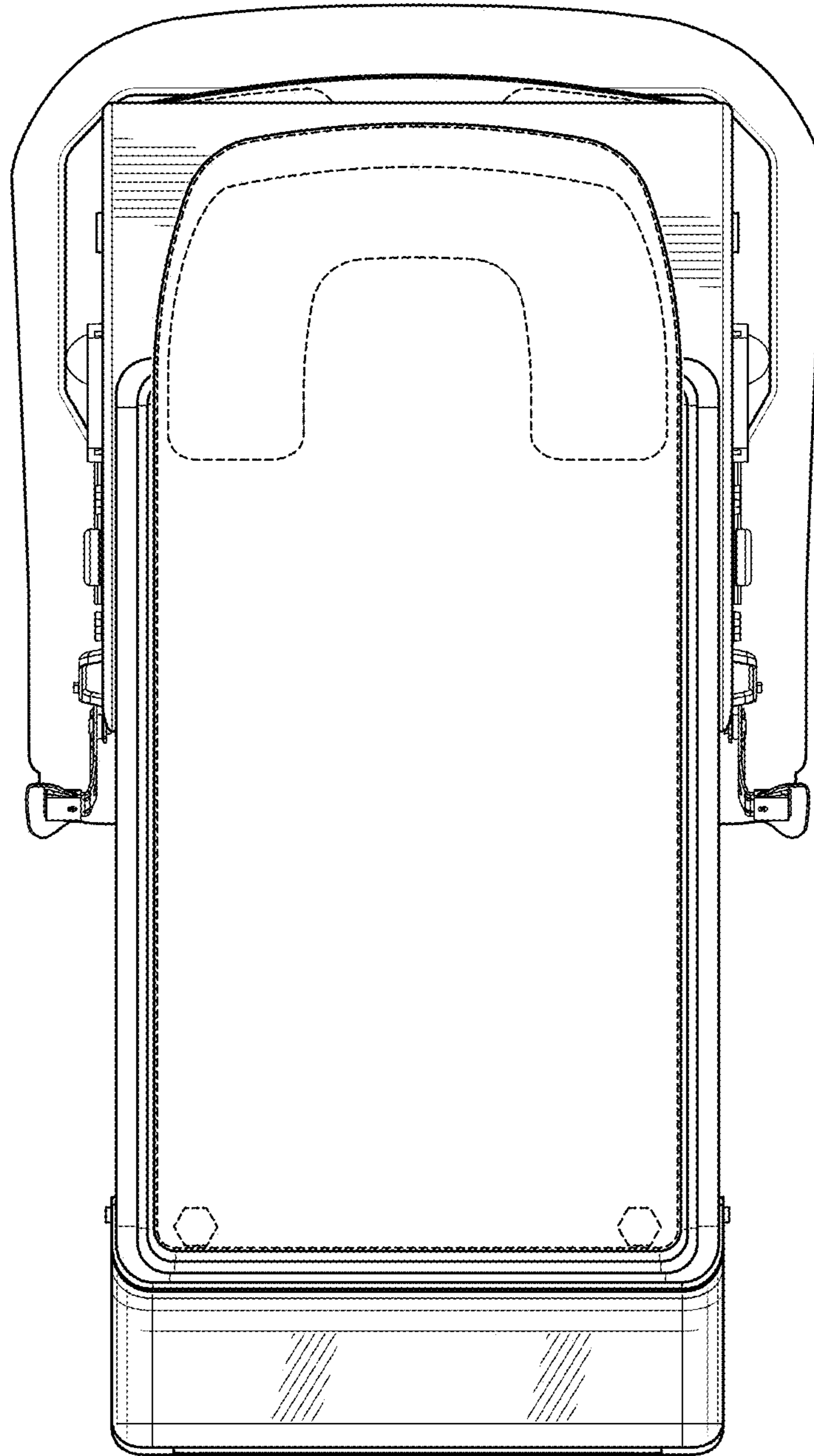


FIG. 16