



US00D972731S

(12) **United States Design Patent**
Xie

(10) **Patent No.:** **US D972,731 S**

(45) **Date of Patent:** **** Dec. 13, 2022**

(54) **PULSE OXIMETER**

(71) Applicant: **Hua Xie**, Shenzhen (CN)

(72) Inventor: **Hua Xie**, Shenzhen (CN)

(**) Term: **15 Years**

(21) Appl. No.: **29/769,430**

(22) Filed: **Feb. 5, 2021**

(51) **LOC (13) Cl.** **24-02**

(52) **U.S. Cl.**
USPC **D24/169**; D24/167

(58) **Field of Classification Search**
USPC D24/107, 164–169, 185–187; D10/98,
D10/75, 70; D14/344
CPC A61B 5/0404; A61B 5/021; A61B 5/024;
A61B 5/02438; A61B 5/681; A61B
5/0402; A61B 2560/0462; A61B 5/0205;
A61B 5/0247; A61B 5/14552; A61B
5/6626; A61B 5/6638; G01N 33/66;
G01N 33/49; G01N 33/493

See application file for complete search history.

(56) **References Cited**

U.S. PATENT DOCUMENTS

D392,740 S	*	3/1998	Yung	D24/169
D434,150 S	*	11/2000	Tumey	D24/111
D524,444 S	*	7/2006	Tomioka	D24/186
D584,974 S	*	1/2009	Fukuda	D10/70
D597,211 S	*	7/2009	Ewing	D24/187
D601,257 S	*	9/2009	Berlinger	D24/186
D603,966 S	*	11/2009	Jones	D24/165
D610,688 S	*	2/2010	Donars	D24/169
D615,655 S	*	5/2010	Maser	D24/169
D639,956 S	*	6/2011	Bain	D24/169
D646,391 S	*	10/2011	Ibuki	D24/165
D663,422 S	*	7/2012	Missanelli	D24/169
D668,340 S	*	10/2012	Wang	D24/165
D670,388 S	*	11/2012	Jin	D24/165
D678,533 S	*	3/2013	Bernstein	D24/187

D691,726 S	*	10/2013	Jin	D24/169
D695,406 S	*	12/2013	Tsai	D24/169
D718,455 S	*	11/2014	Maser	D24/169
D719,659 S	*	12/2014	Wada	D24/169
D721,177 S	*	1/2015	Ahlstrom	D24/169
D725,768 S	*	3/2015	Eustis	D24/165
D728,394 S	*	5/2015	Au Yeung	D10/70
D747,490 S	*	1/2016	Harkin	D24/169
D750,786 S	*	3/2016	Davies	D24/169
D782,045 S	*	3/2017	Chou	D24/164

(Continued)

FOREIGN PATENT DOCUMENTS

GB 6062087 * 5/2019

Primary Examiner — T Chase Nelson

Assistant Examiner — Kelly L Gross

(74) *Attorney, Agent, or Firm* — Bayramoglu Law Offices LLC

(57) **CLAIM**

The ornamental design for a pulse oximeter, as shown and described.

DESCRIPTION

FIG. 1 is a perspective view of a pulse oximeter showing my new design;

FIG. 2 is a right side view thereof;

FIG. 3 is a front view thereof;

FIG. 4 is a rear side view thereof;

FIG. 5 is a top view thereof;

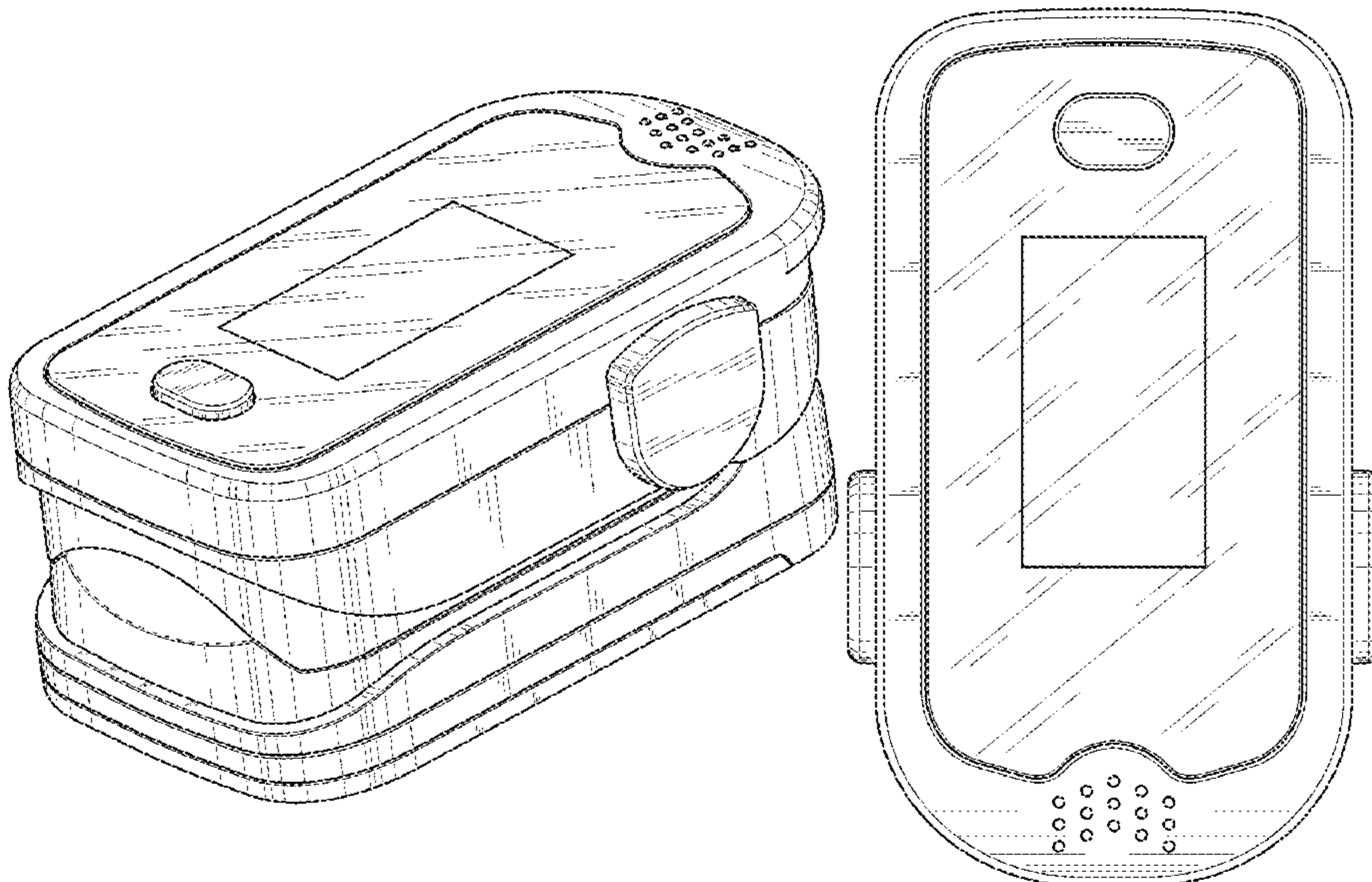
FIG. 6 is a bottom view thereof; and,

FIG. 7 is another perspective view thereof.

A left side view is omitted since the left side view is a mirror image of the right side view.

The broken lines depict portions of the pulse oximeter in which the design is embodied that form no part of the claimed design. The broken lines in FIGS. 1 and 3 show bounds of the claimed design and also form no part thereof.

1 Claim, 7 Drawing Sheets



(56)

References Cited

U.S. PATENT DOCUMENTS

D787,067 S * 5/2017 Wightman D24/169
D796,357 S * 9/2017 Park D24/169
D800,313 S * 10/2017 Chang D24/167
D809,664 S * 2/2018 Ma D24/169
D824,530 S * 7/2018 Velschow D24/169
D830,557 S * 10/2018 Sebban D24/167
D877,339 S * 3/2020 Xian D24/165
D893,728 S * 8/2020 Zhao D24/165
D894,398 S * 8/2020 Wei D24/169
D894,399 S * 8/2020 Wei D24/169
D895,805 S * 9/2020 Wei D24/169
D903,872 S * 12/2020 Wang D24/169
D917,699 S * 4/2021 Lim D24/169
D919,101 S * 5/2021 Jung D24/186
D922,582 S * 6/2021 Peng D24/165
D925,742 S * 7/2021 Zhang D24/165
D926,324 S * 7/2021 Zhang D24/169
D929,879 S * 9/2021 Paschke A61B 5/749
D952,160 S * 5/2022 Kim A61B 5/681
D953,534 S * 5/2022 Li D24/169
D957,641 S * 7/2022 Li D24/169
2002/0026937 A1 * 3/2002 Mault G01N 33/497
2022/0142529 A1 * 5/2022 Li A61B 5/681
2022/0151492 A1 * 5/2022 Atkin A61B 5/749

* cited by examiner

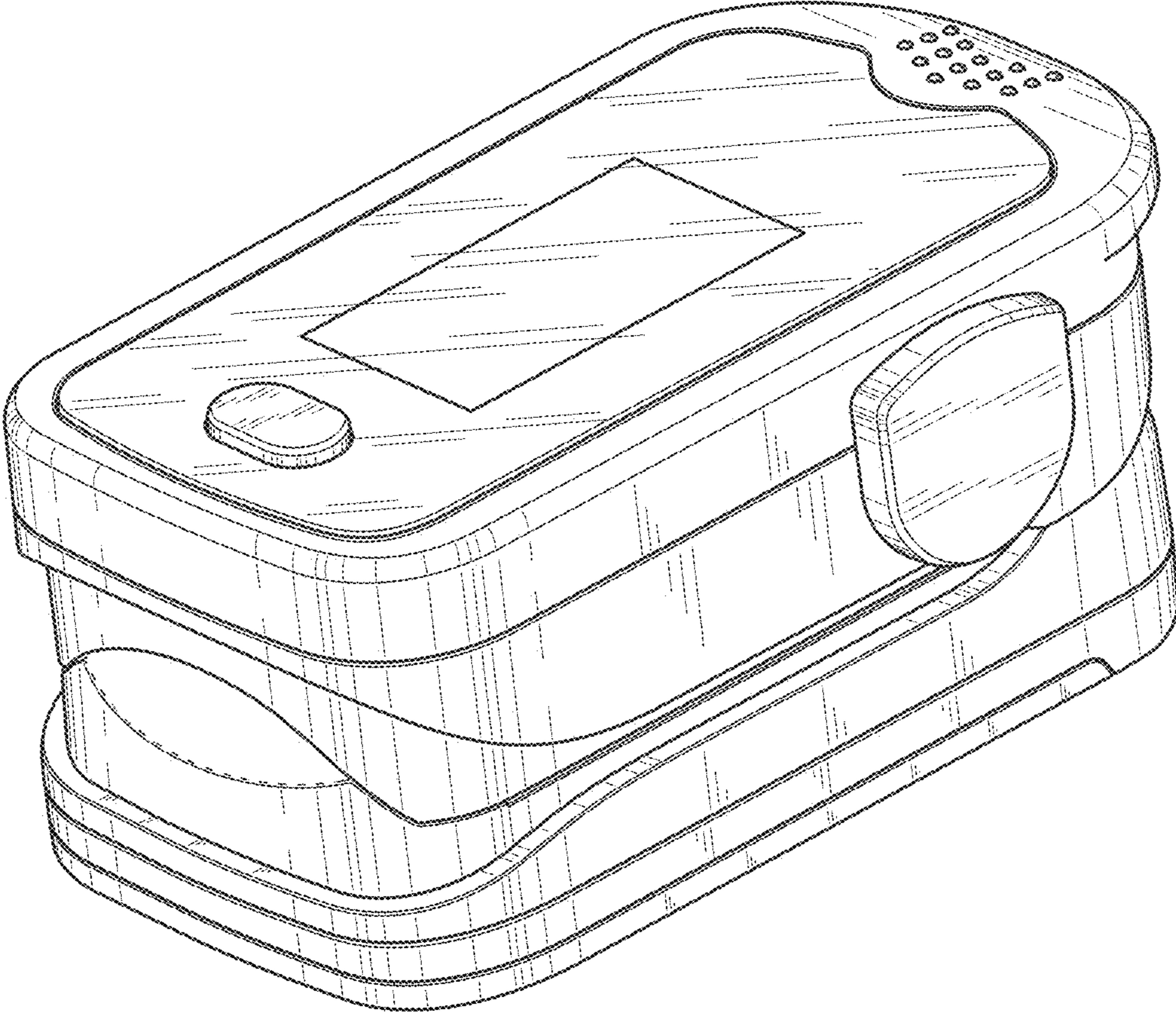


FIG. 1

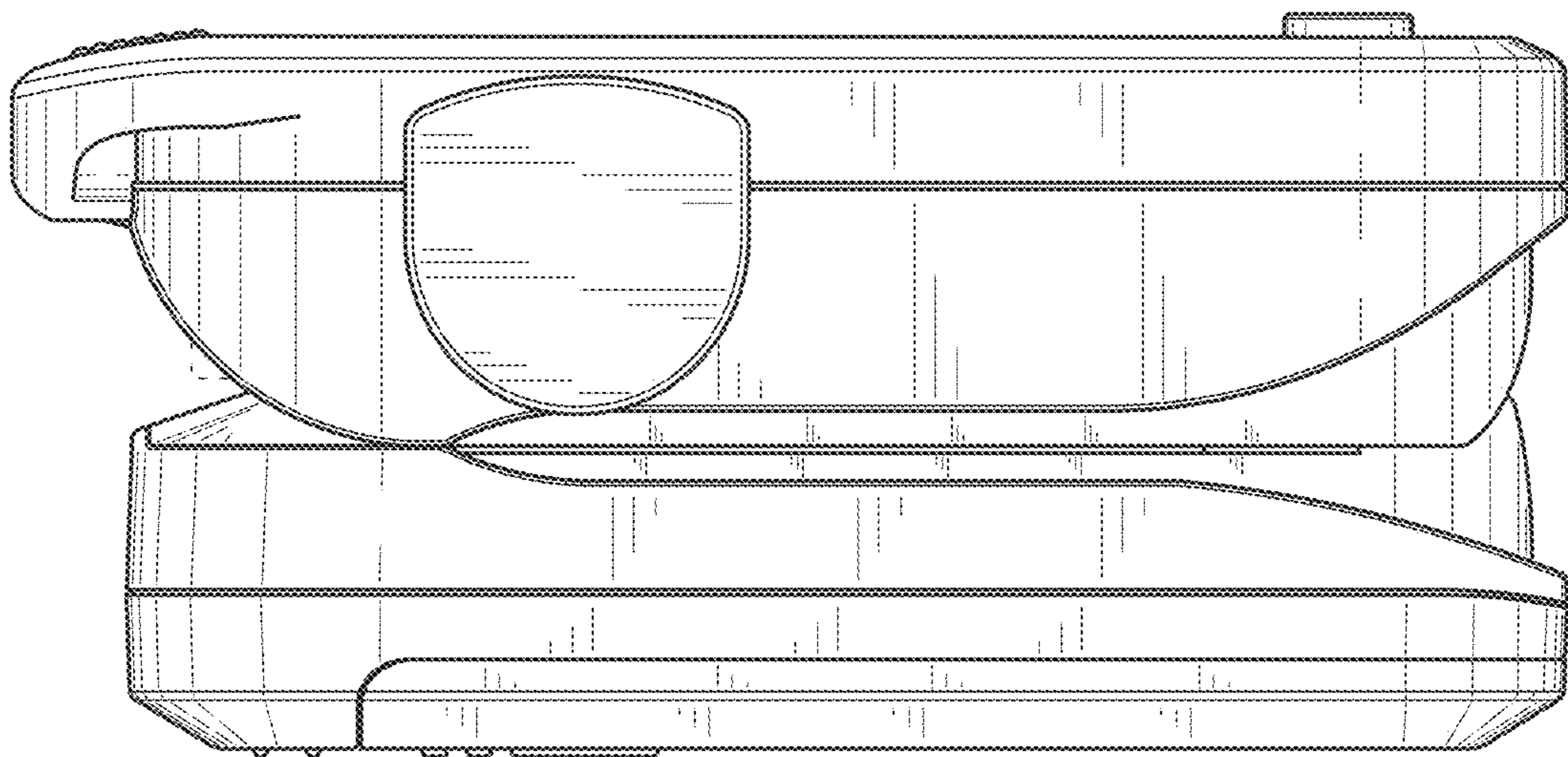


FIG. 2

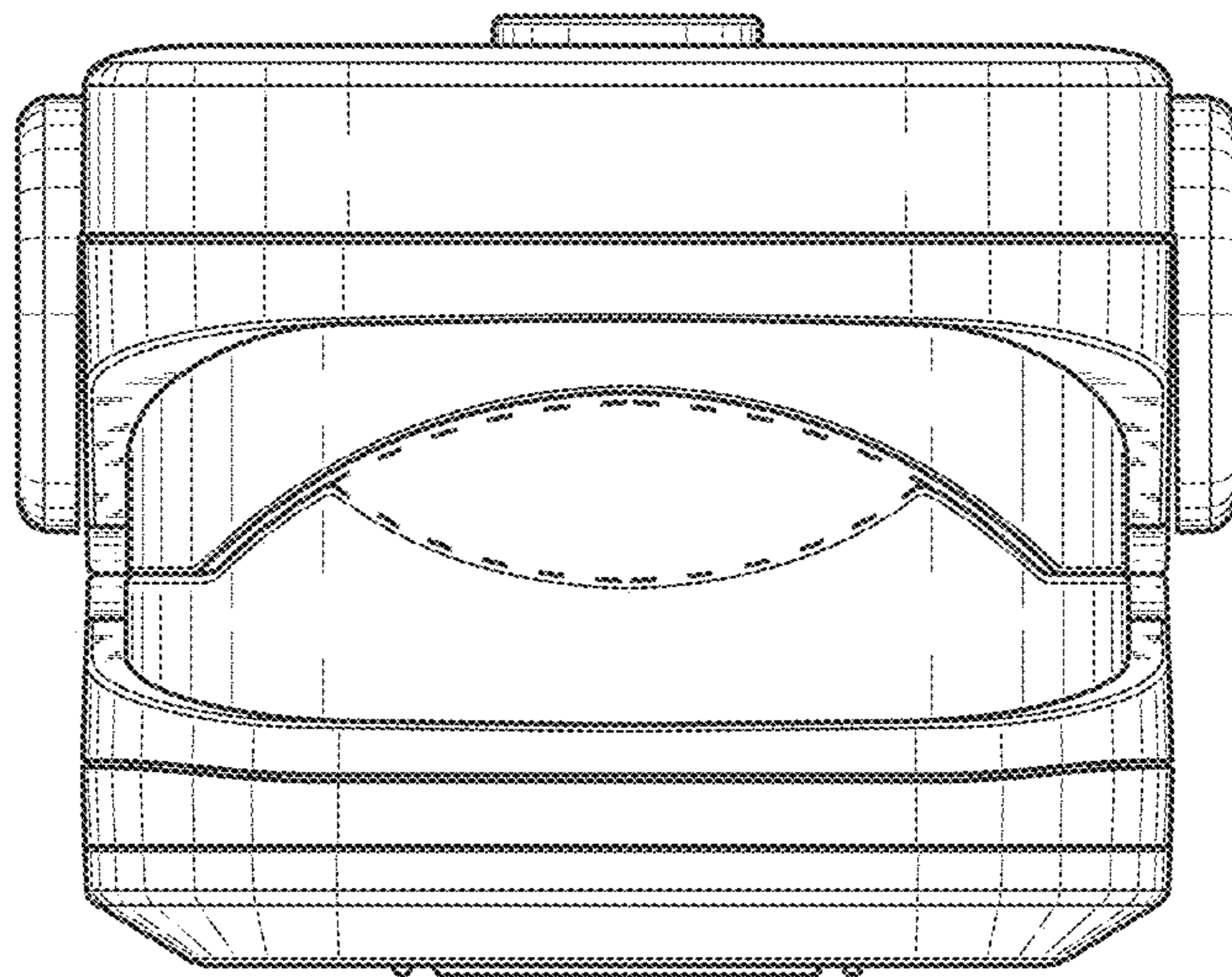


FIG. 3

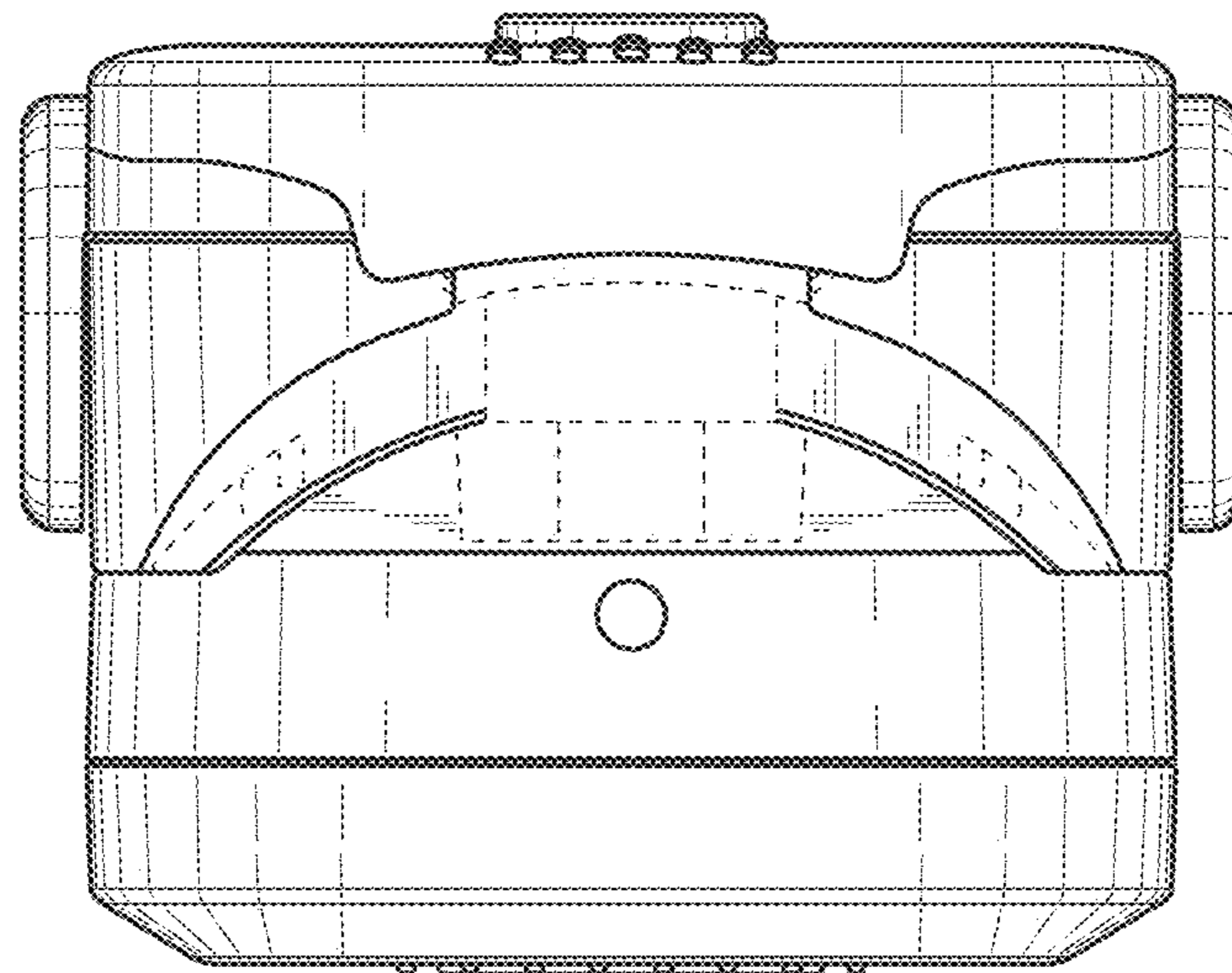


FIG. 4

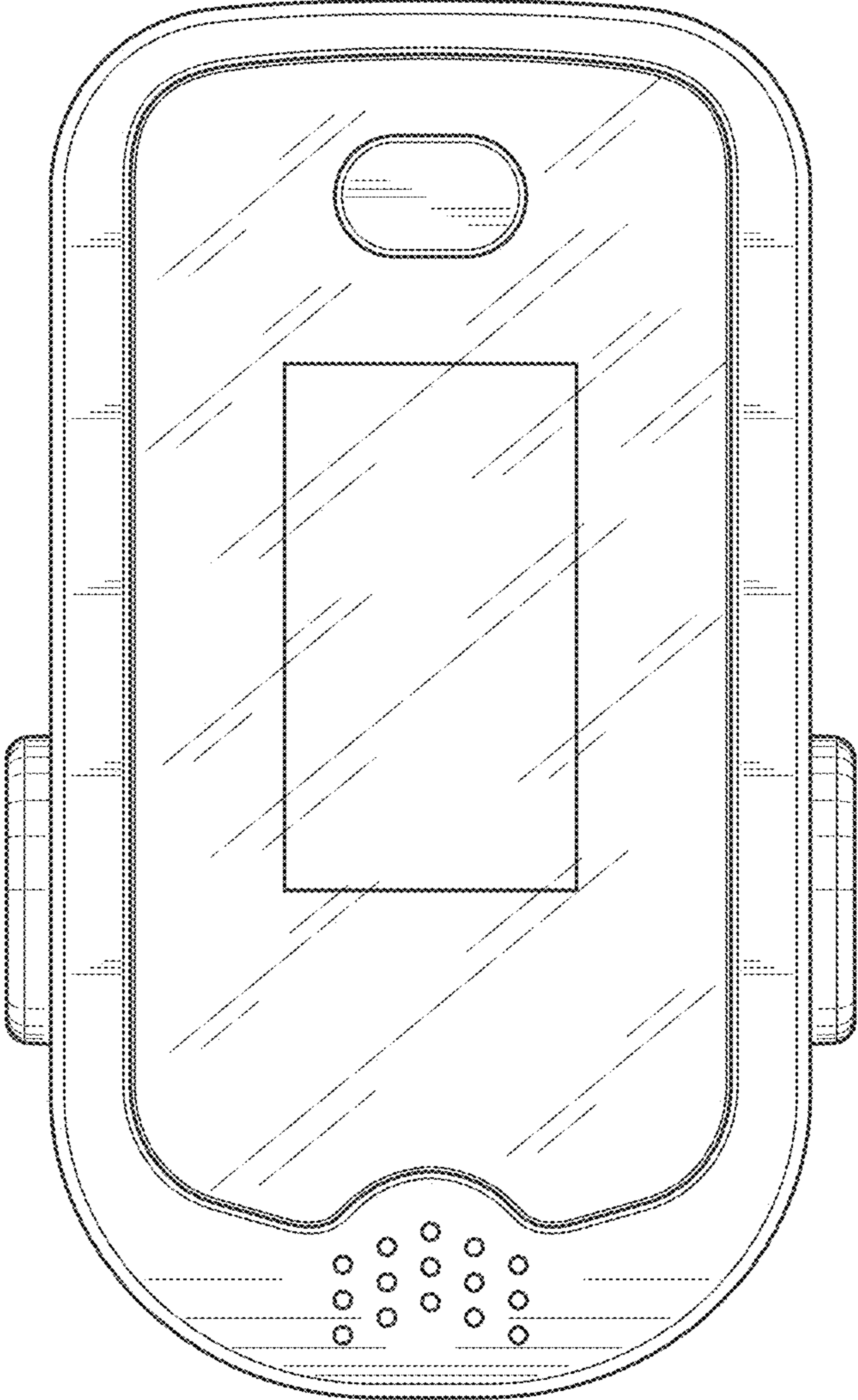


FIG. 5

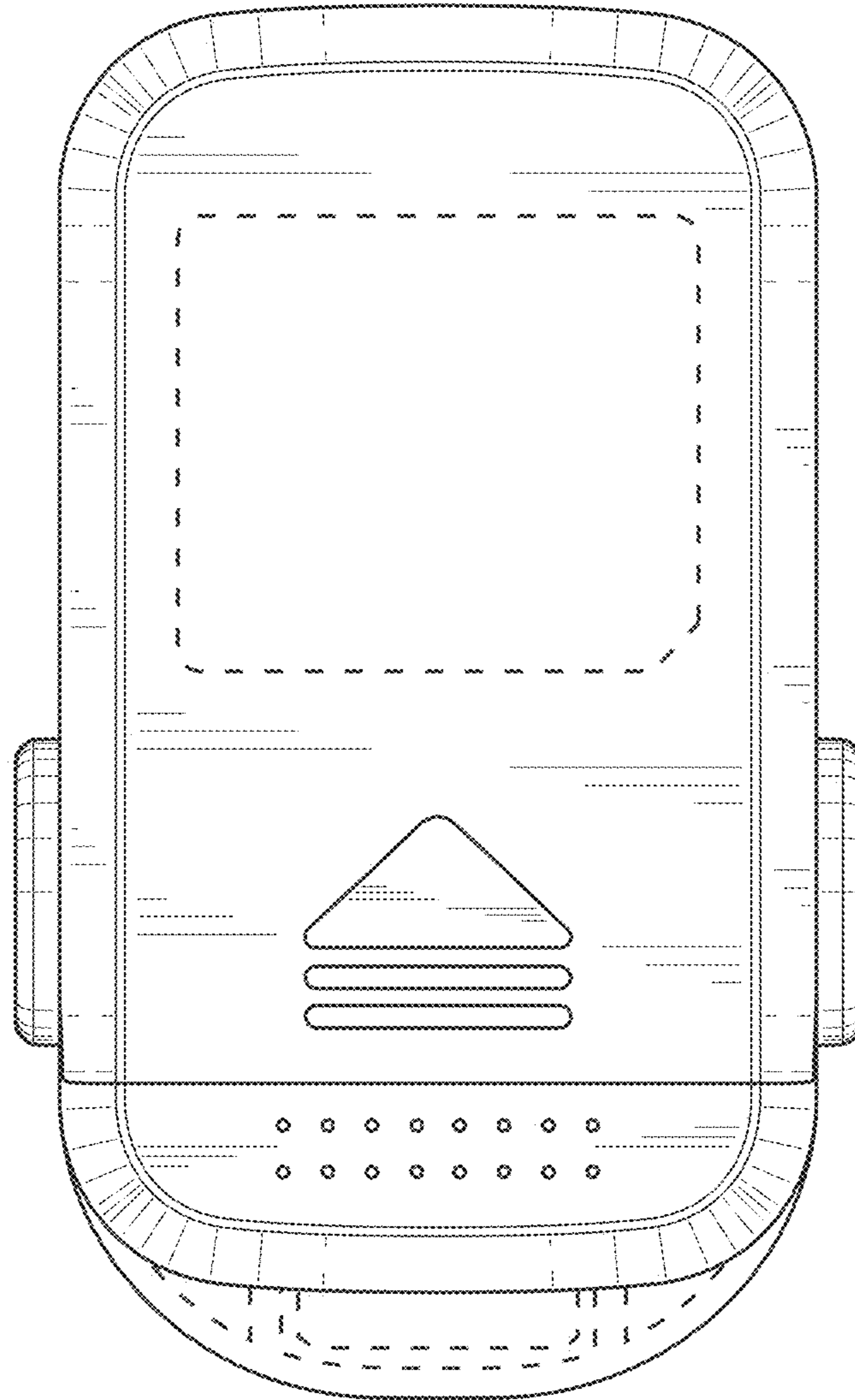


FIG. 6

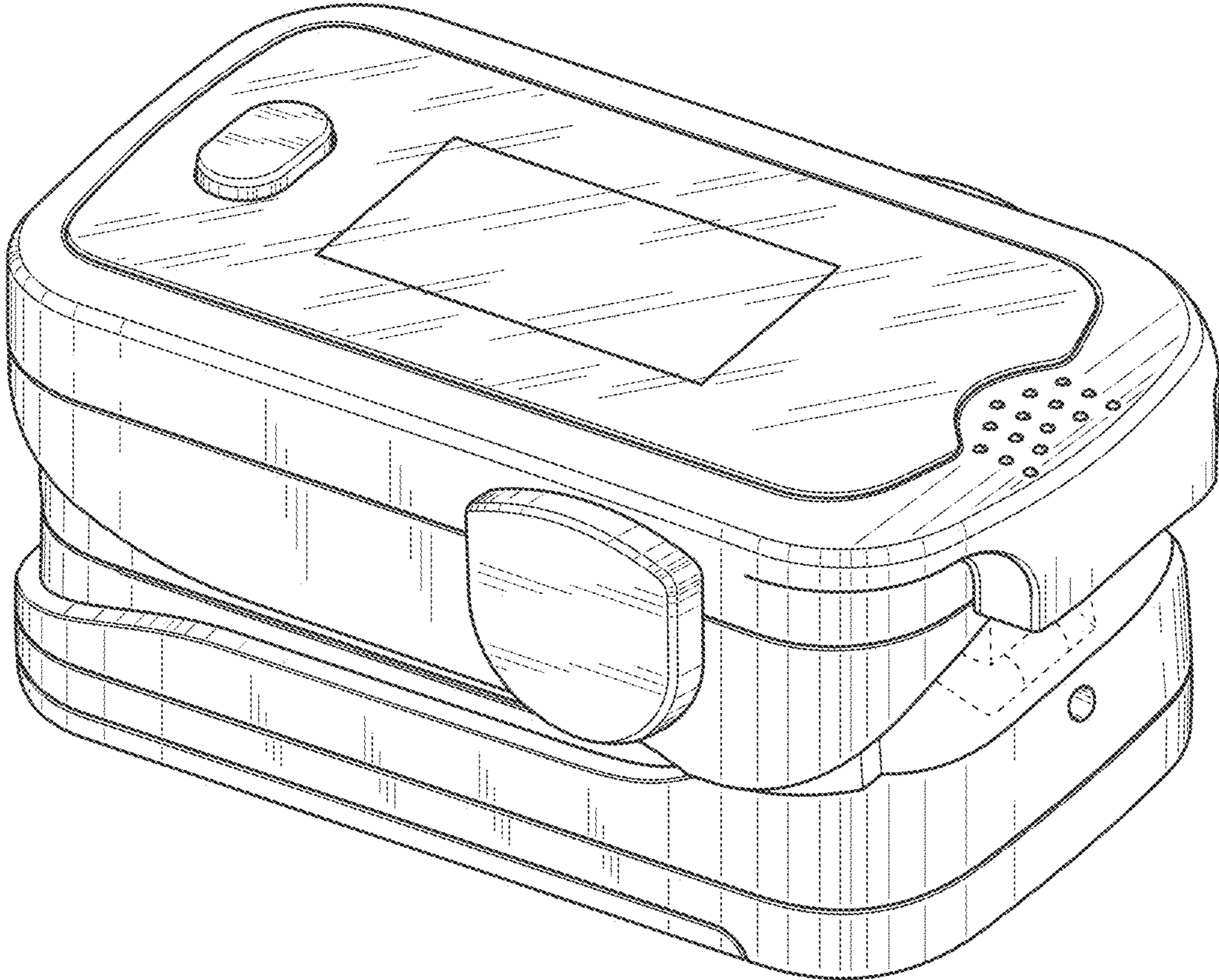


FIG. 7