



US00D972728S

(12) **United States Design Patent**
Li et al.

(10) **Patent No.:** **US D972,728 S**
(45) **Date of Patent:** **** Dec. 13, 2022**

(54) **IMAGING APPARATUS**

(71) Applicant: **GE Precision Healthcare LLC**,
Milwaukee, WI (US)

(72) Inventors: **Jundong Li**, Beijing (CN); **Samuel Lee Alder**, Stansbury Park, UT (US); **Tie Chang Liu**, Beijing (CN); **David Barker**, Salt Lake City, UT (US)

(73) Assignee: **GE Precision Healthcare LLC**,
Milwaukee, WI (US)

(**) Term: **15 Years**

(21) Appl. No.: **29/778,285**

(22) Filed: **Apr. 12, 2021**

Related U.S. Application Data

(62) Division of application No. 29/682,357, filed on Mar. 4, 2019, now Pat. No. Des. 919,090.

(51) **LOC (13) Cl.** **24-01**

(52) **U.S. Cl.**
USPC **D24/158**

(58) **Field of Classification Search**
USPC D24/158-161, 185, 186, 183, 184
CPC .. A61B 5/05; A61B 5/055; A61B 6/03; A61B 6/035; A61B 6/4411; A61B 6/4425; A61B 6/4441; A61B 6/4447
See application file for complete search history.

(56) **References Cited**

U.S. PATENT DOCUMENTS

D366,701 S 1/1996 Mazess et al.
6,142,667 A 11/2000 Pattee
D648,028 S 11/2011 Yokoyama et al.
D658,762 S 5/2012 Yokoyama et al.

D702,837 S 4/2014 Dinse et al.
D735,863 S 8/2015 Doerre et al.
D786,440 S * 5/2017 Boehner D24/158
D796,043 S 8/2017 Boehner et al.
D836,779 S 12/2018 Alder et al.
D868,260 S 11/2019 Achleitner et al.
D884,182 S 5/2020 Hörndler et al.
D889,658 S * 7/2020 Achleitner D24/158
10,709,398 B2 * 7/2020 Schweizer A61B 6/0492
D919,090 S * 5/2021 Li D24/158
D924,237 S * 7/2021 Daugirdas D24/185
2008/0123819 A1 5/2008 Jensen et al.
2018/0296174 A1 10/2018 Barker et al.

* cited by examiner

Primary Examiner — Anhdao Doan

(74) *Attorney, Agent, or Firm* — McCoy Russell LLP

(57) **CLAIM**

The ornamental design for an imaging apparatus, as shown and described.

DESCRIPTION

FIG. 1 is a rear-right perspective view of an imaging apparatus according to the present invention.

FIG. 2 is a front view of the imaging apparatus.

FIG. 3 is a rear view of the imaging apparatus.

FIG. 4 is a right side view of the imaging apparatus.

FIG. 5 is a left side view of the imaging apparatus.

FIG. 6 is a top view of the imaging apparatus.

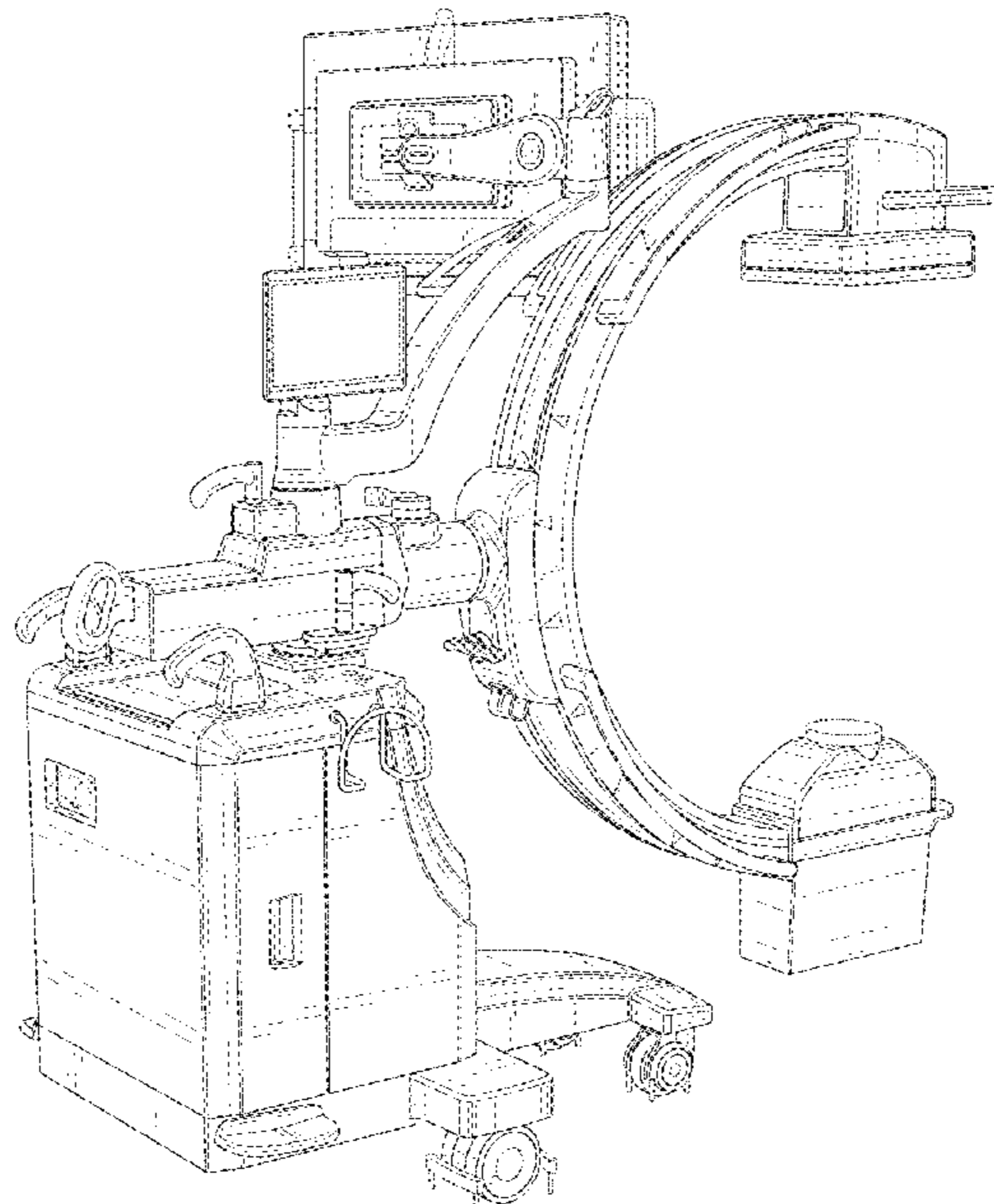
FIG. 7 is a bottom view of the imaging apparatus; and,

FIG. 8 is a sectional view of the imaging apparatus along line 8-8 in FIG. 4.

The dash-dash broken lines in FIGS. 1-8 illustrate portions of the imaging apparatus that form no part of the claimed design.

The dash-dot-dot-dash broken sectional line in FIG. 4 forms no part of the claimed design.

1 Claim, 8 Drawing Sheets



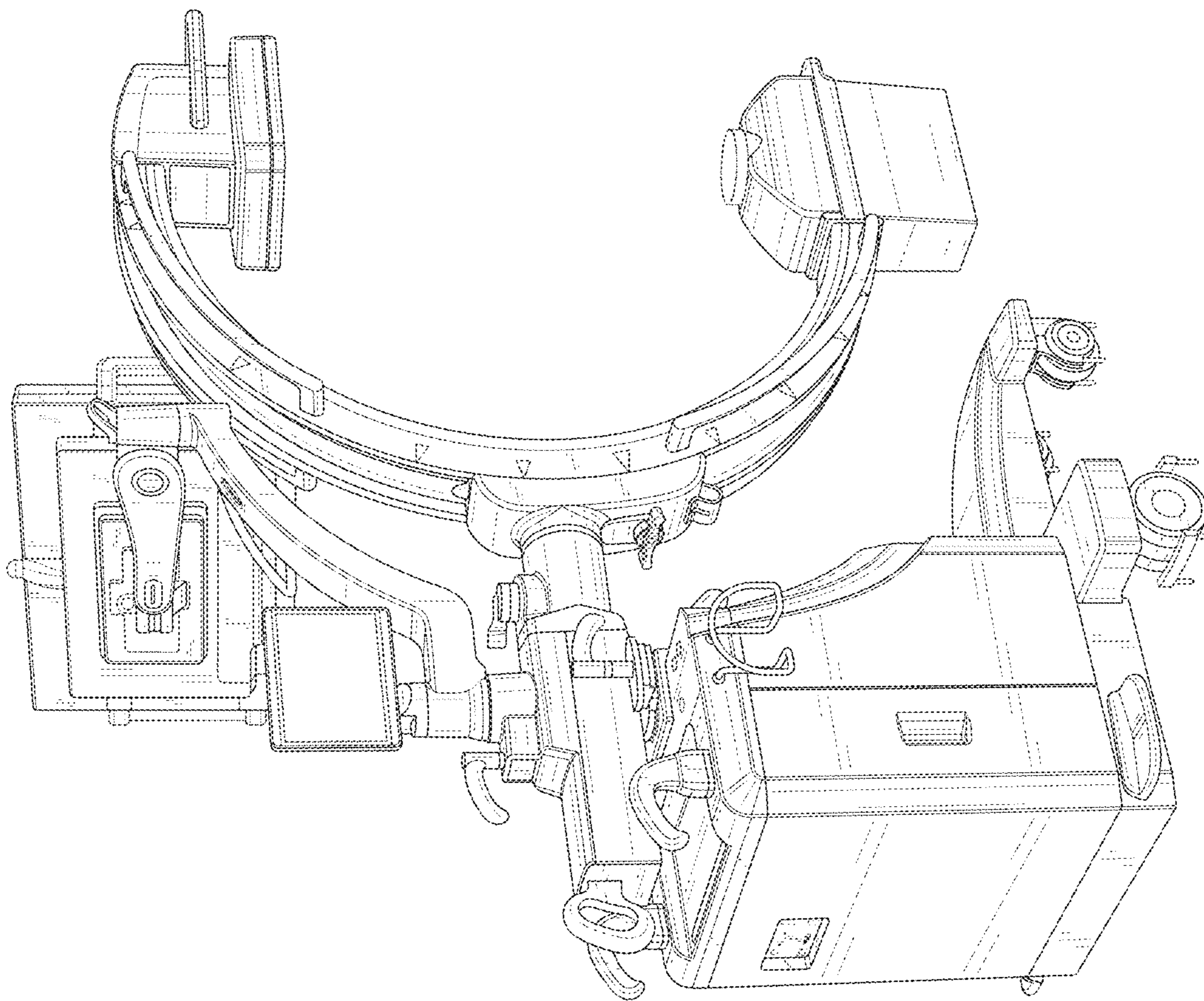


FIG. 1

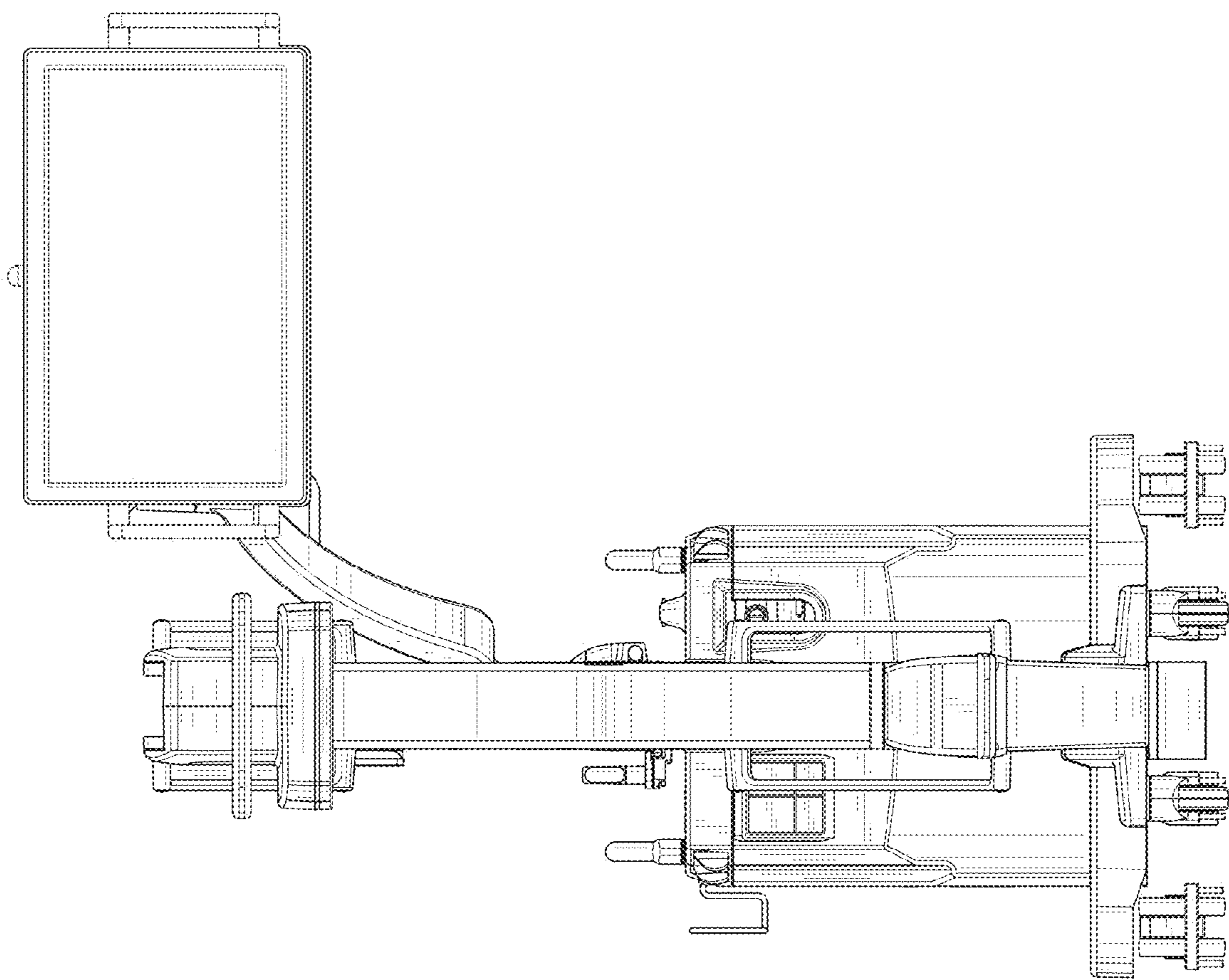


FIG. 2

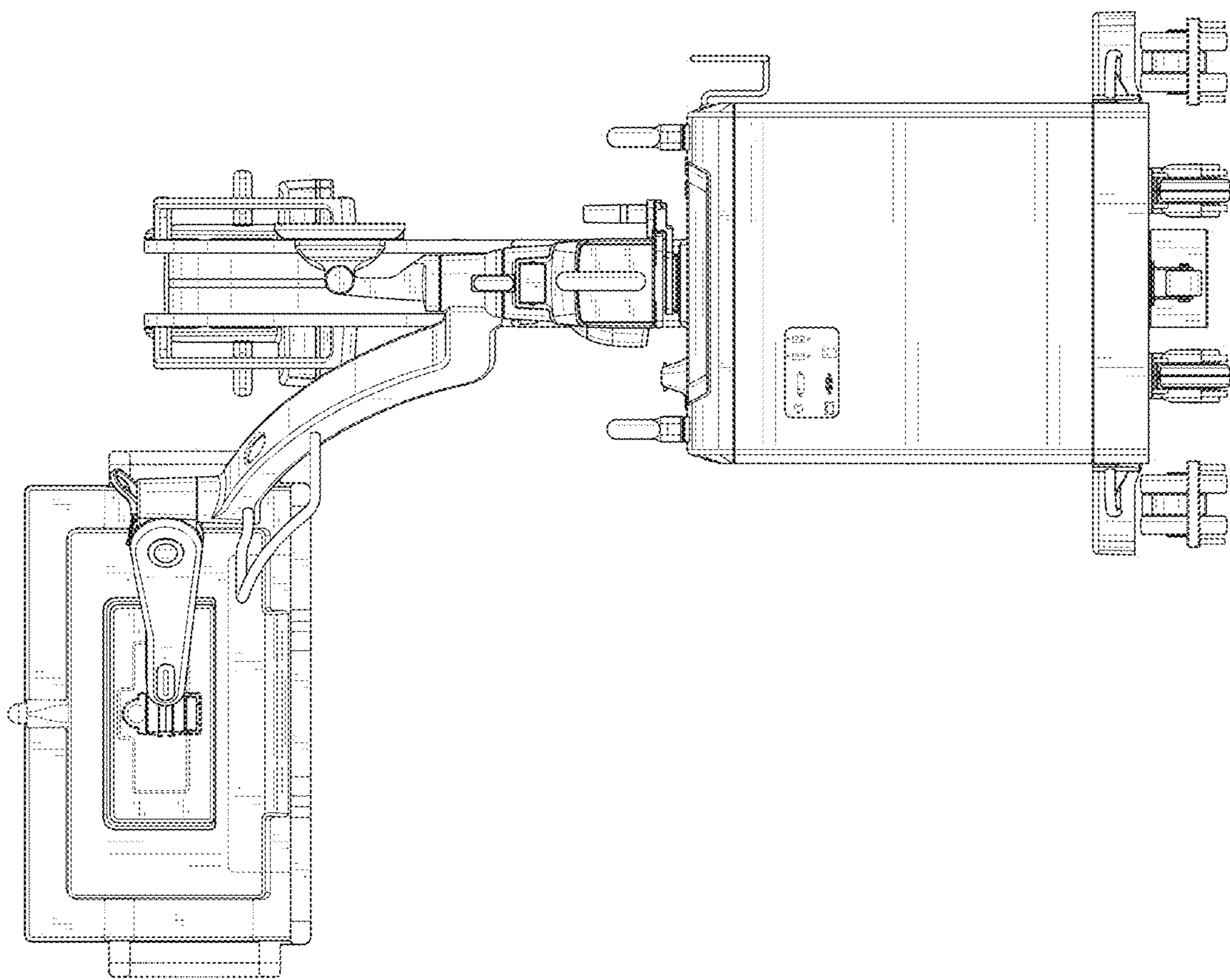


FIG. 3

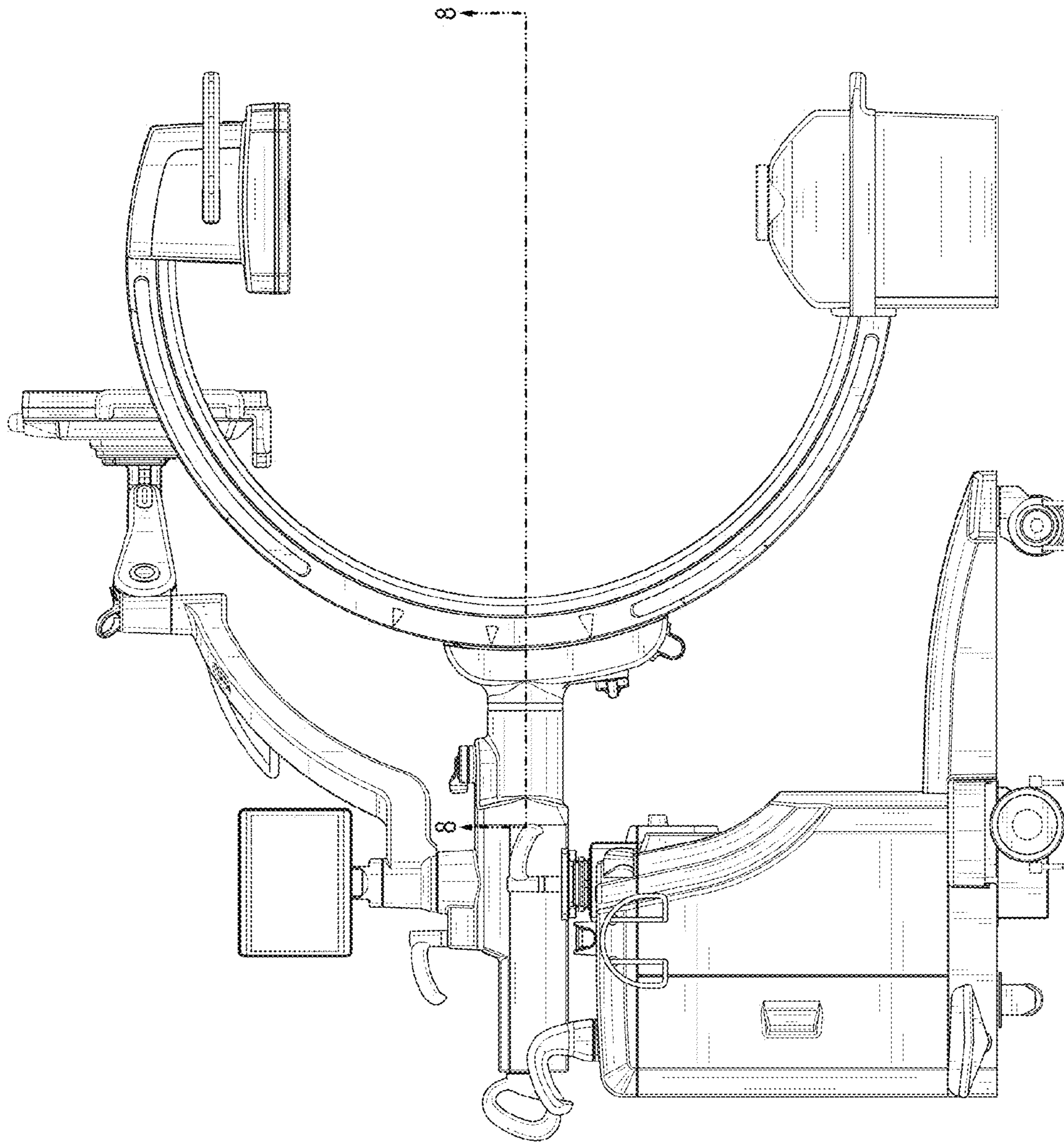


FIG. 4

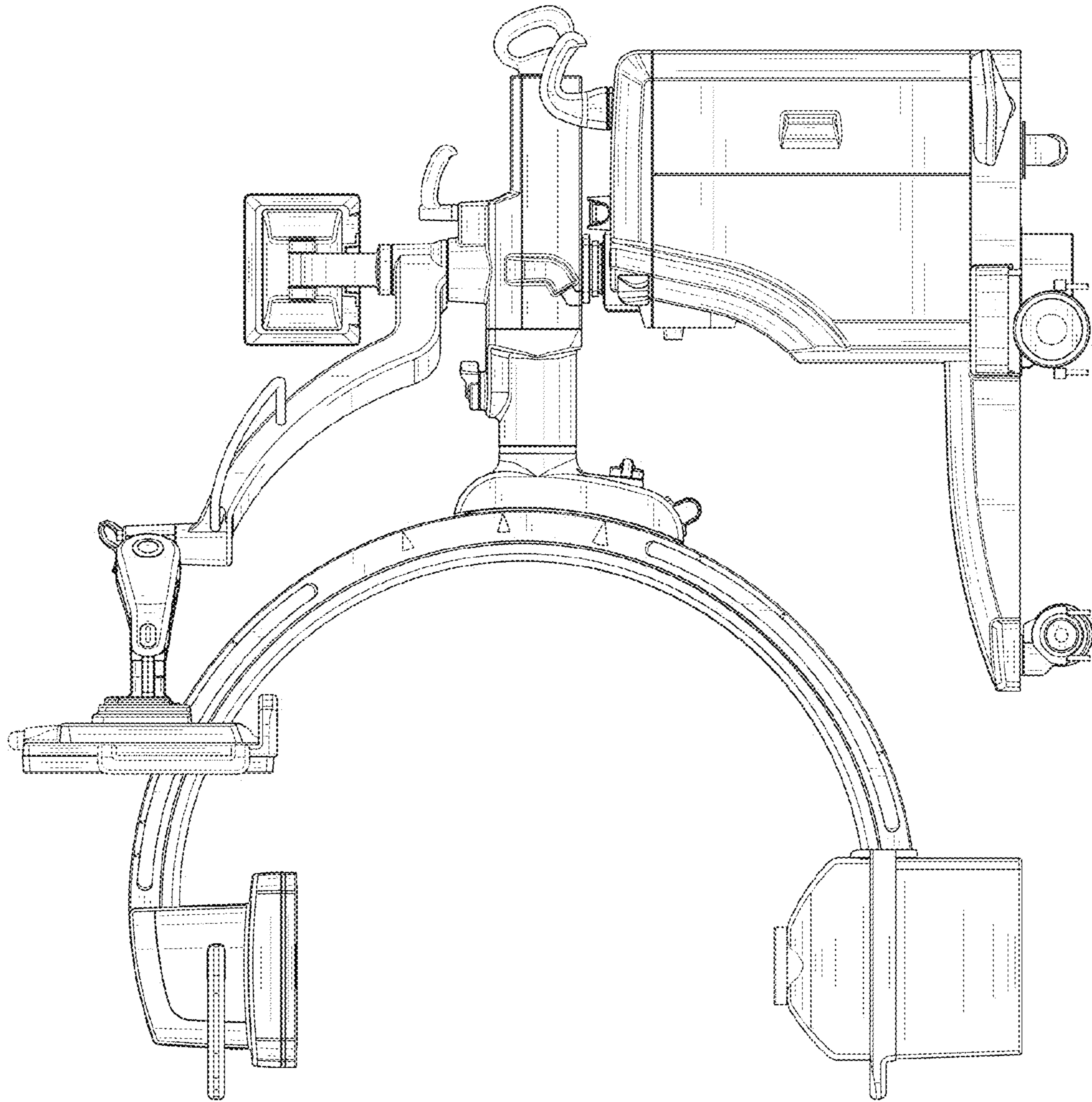


FIG. 5

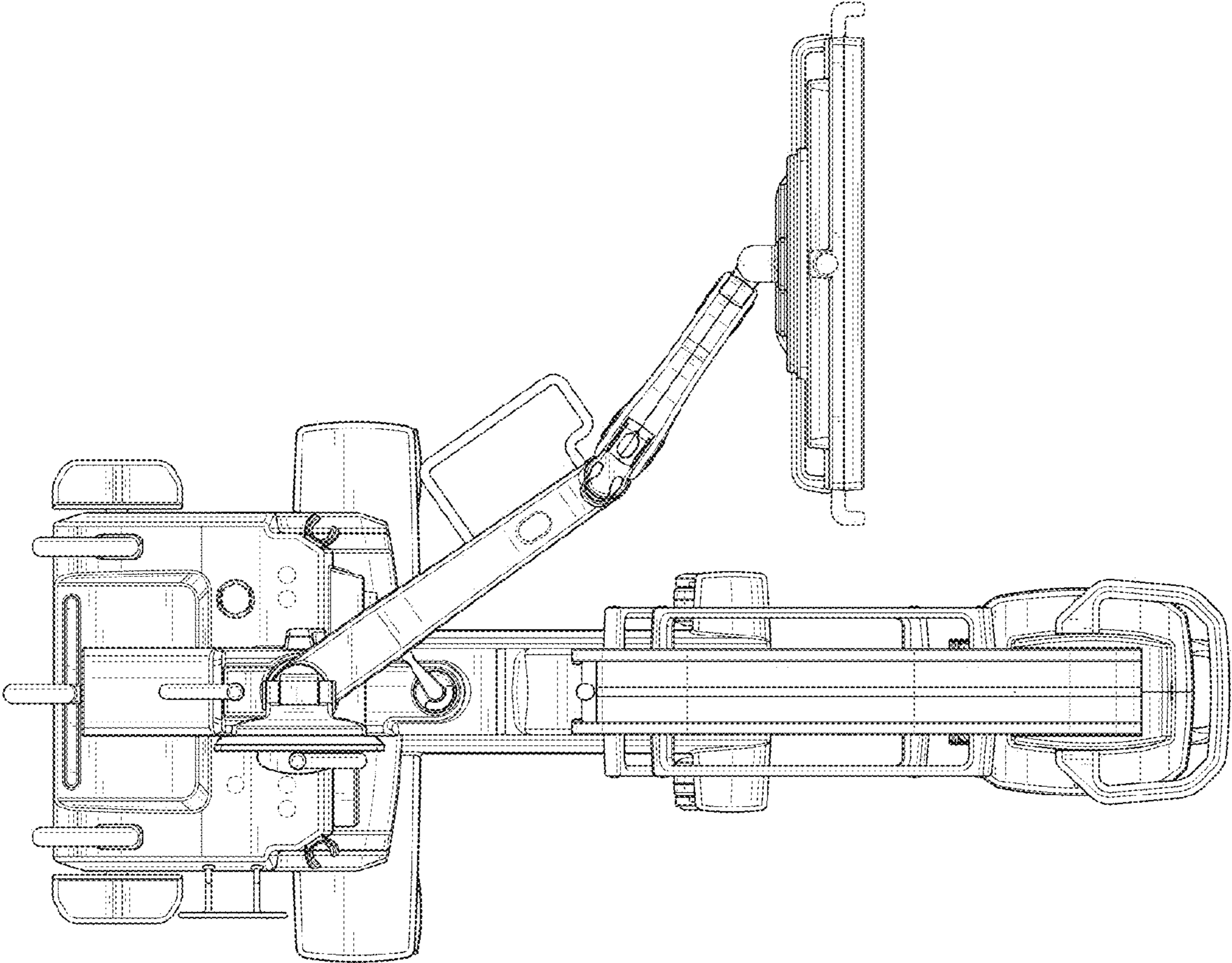


FIG. 6

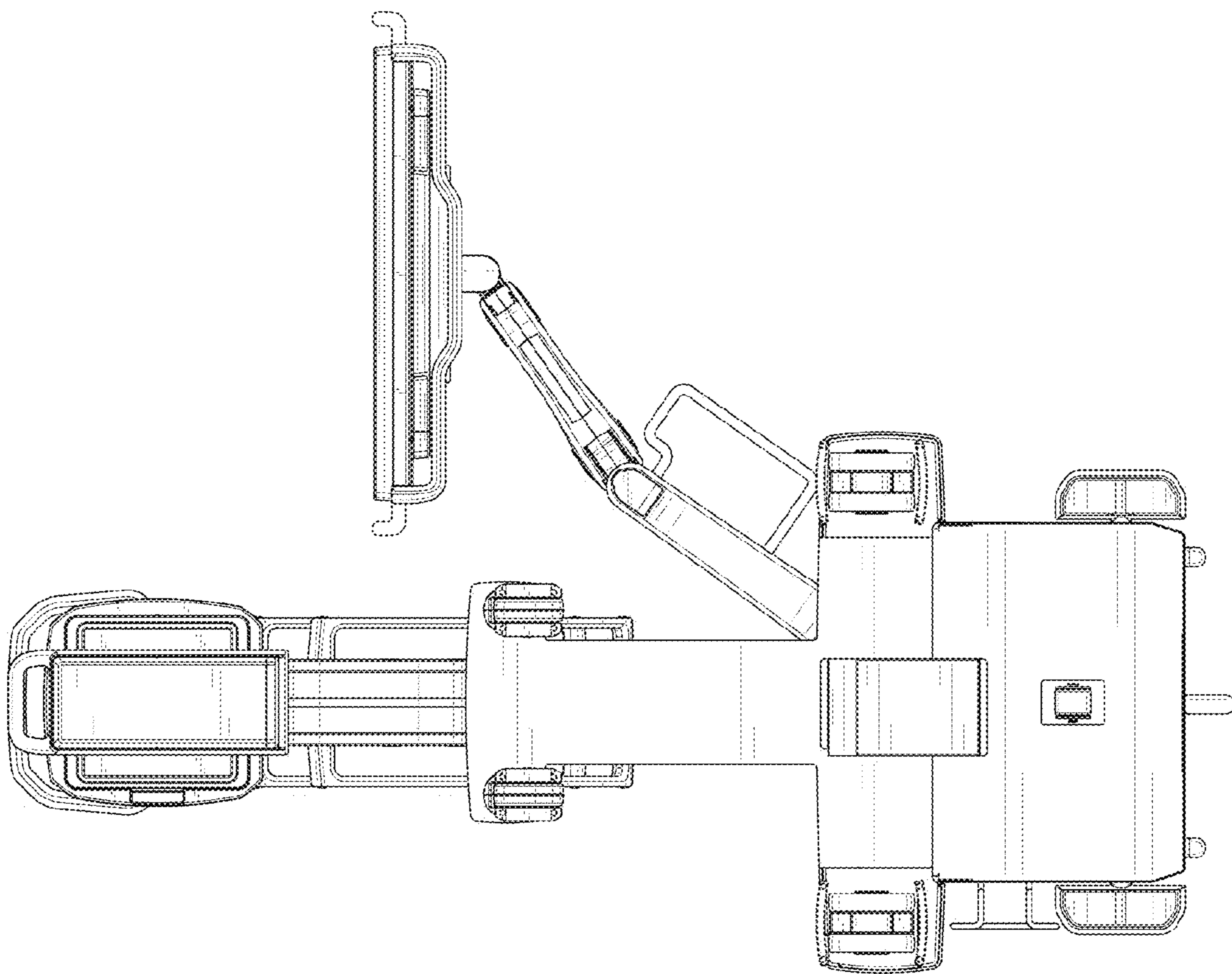


FIG. 7

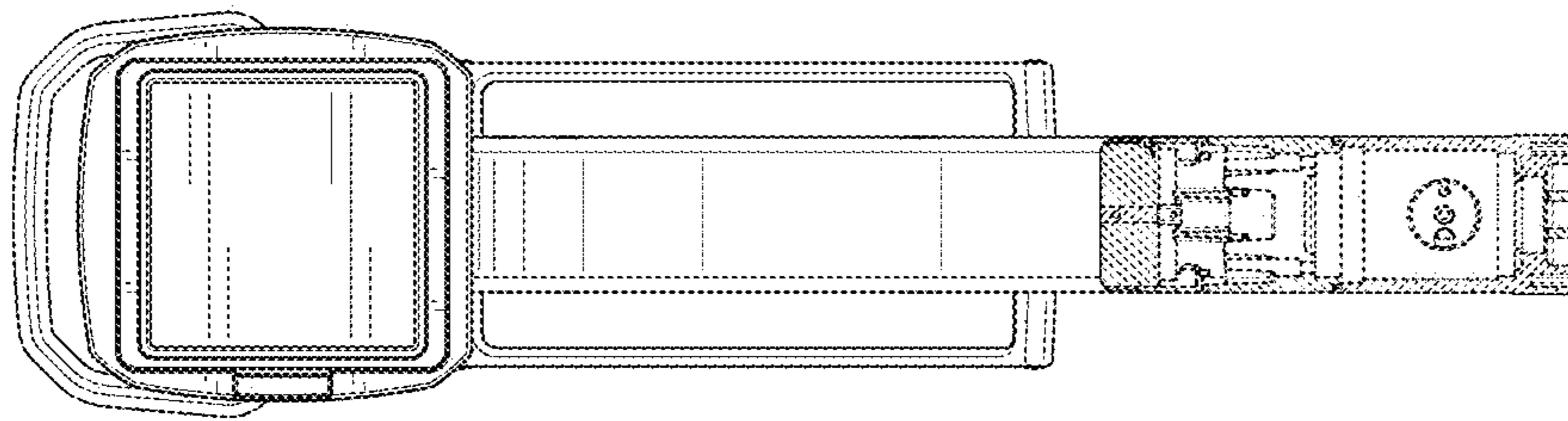


FIG. 8