



US00D972727S

(12) **United States Design Patent** (10) **Patent No.:** **US D972,727 S**
Schwartz (45) **Date of Patent:** **** Dec. 13, 2022**

(54) **SCANNING DEVICE**
(71) Applicant: **AETREX WORLDWIDE, INC.**,
Teaneck, NJ (US)
(72) Inventor: **Laurence I. Schwartz**, New York, NY
(US)
(73) Assignee: **Aetrex, Inc.**, Teaneck, NJ (US)
(**) Term: **15 Years**
(21) Appl. No.: **29/756,410**
(22) Filed: **Oct. 28, 2020**
(51) **LOC (13) Cl.** **24-01**
(52) **U.S. Cl.**
USPC **D24/158**
(58) **Field of Classification Search**
USPC D24/107, 158-161, 185, 186; D10/65,
D10/70, 71
CPC ... A61B 5/1036; A61B 5/1038; A61B 5/1074;
A61B 5/0064; A61B 5/0077; A61B
2560/0247
See application file for complete search history.

D833,307 S 11/2018 Nord et al.
D868,258 S * 11/2019 Schwartz D24/158
10,463,257 B2 * 11/2019 Schwartz A61B 5/1077
10,492,712 B2 * 12/2019 Schwartz A61B 5/1036
11,151,738 B2 * 10/2021 Schwartz A61B 5/112
2021/0279900 A1 * 9/2021 Schwartz A61B 5/0064
2021/0315323 A1 * 10/2021 Hakkala A61B 5/0064

FOREIGN PATENT DOCUMENTS

CN 202030149870.1 * 8/2020

* cited by examiner

Primary Examiner — Anhdao Doan

(74) *Attorney, Agent, or Firm* — Lowenstein Sandler LLP

(57) **CLAIM**

The ornamental design for a scanning device, as shown and described.

DESCRIPTION

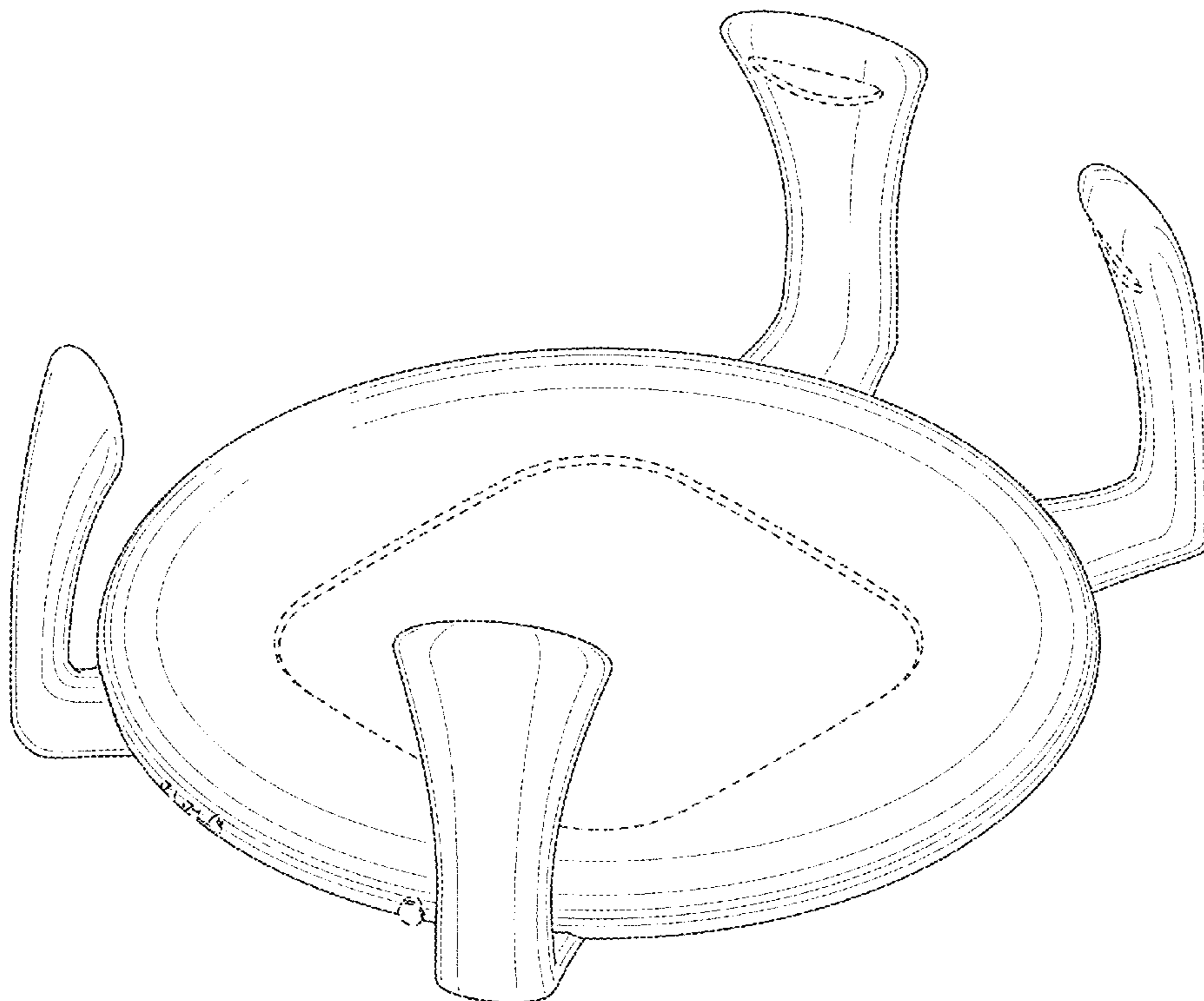
FIG. 1 is a perspective view of a scanning device showing the new design;
FIG. 2 is a front elevation view thereof;
FIG. 3 is a rear elevation view thereof;
FIG. 4 is a left side elevation view thereof;
FIG. 5 is a right side elevation view thereof;
FIG. 6 is a top plan view thereof; and,
FIG. 7 is a bottom plan view thereof.
Broken lines in the drawings illustrate portions of the scanning device that form no part of the claimed design.

1 Claim, 7 Drawing Sheets

(56) **References Cited**

U.S. PATENT DOCUMENTS

D493,228 S * 7/2004 Spangler D24/171
D526,226 S * 8/2006 Copeland D10/70
7,262,862 B2 * 8/2007 Klaveness A61B 5/1078
356/601
D702,573 S * 4/2014 Schwartz D10/70
D784,540 S * 4/2017 Boudville D24/186



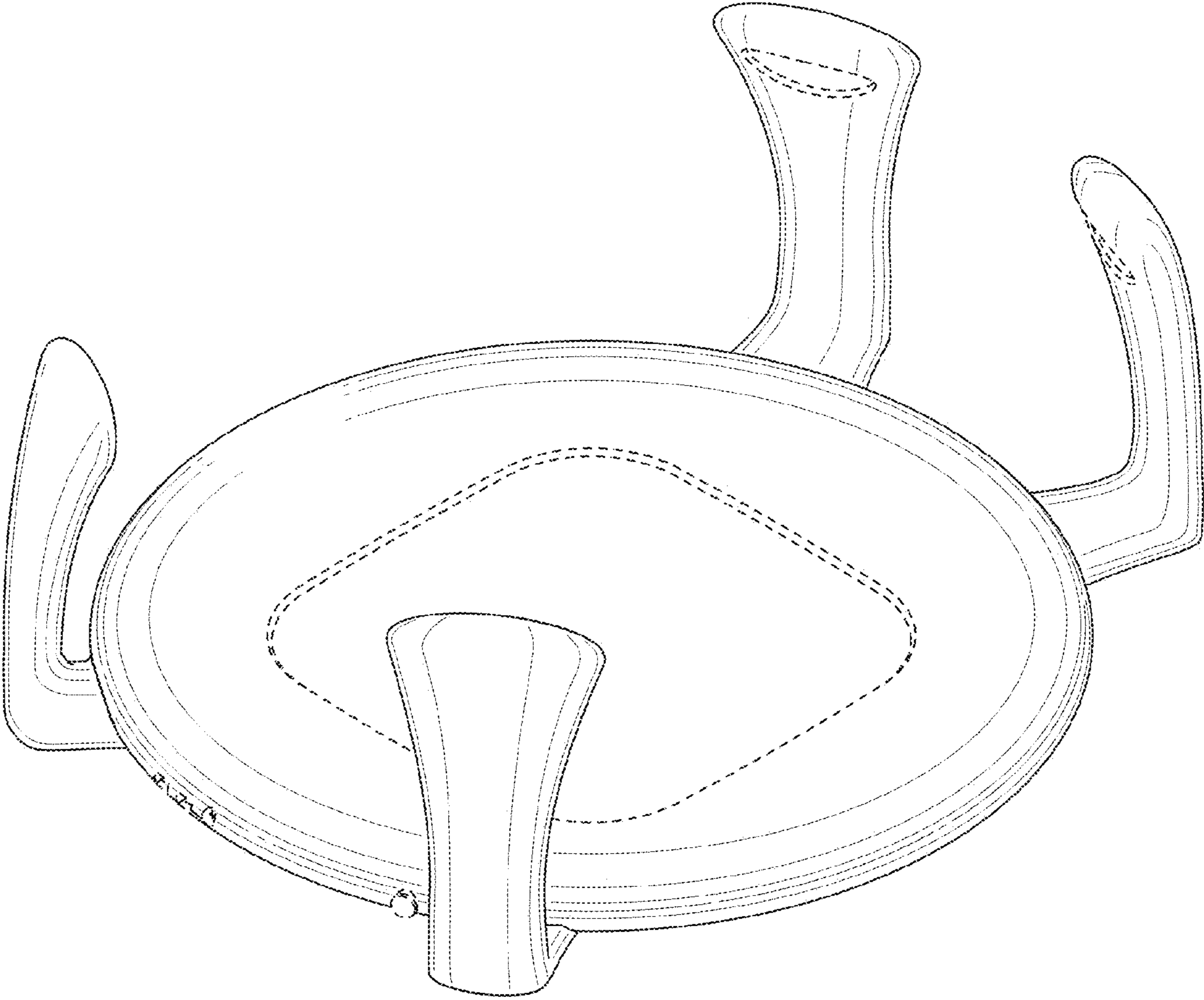


FIG. 1

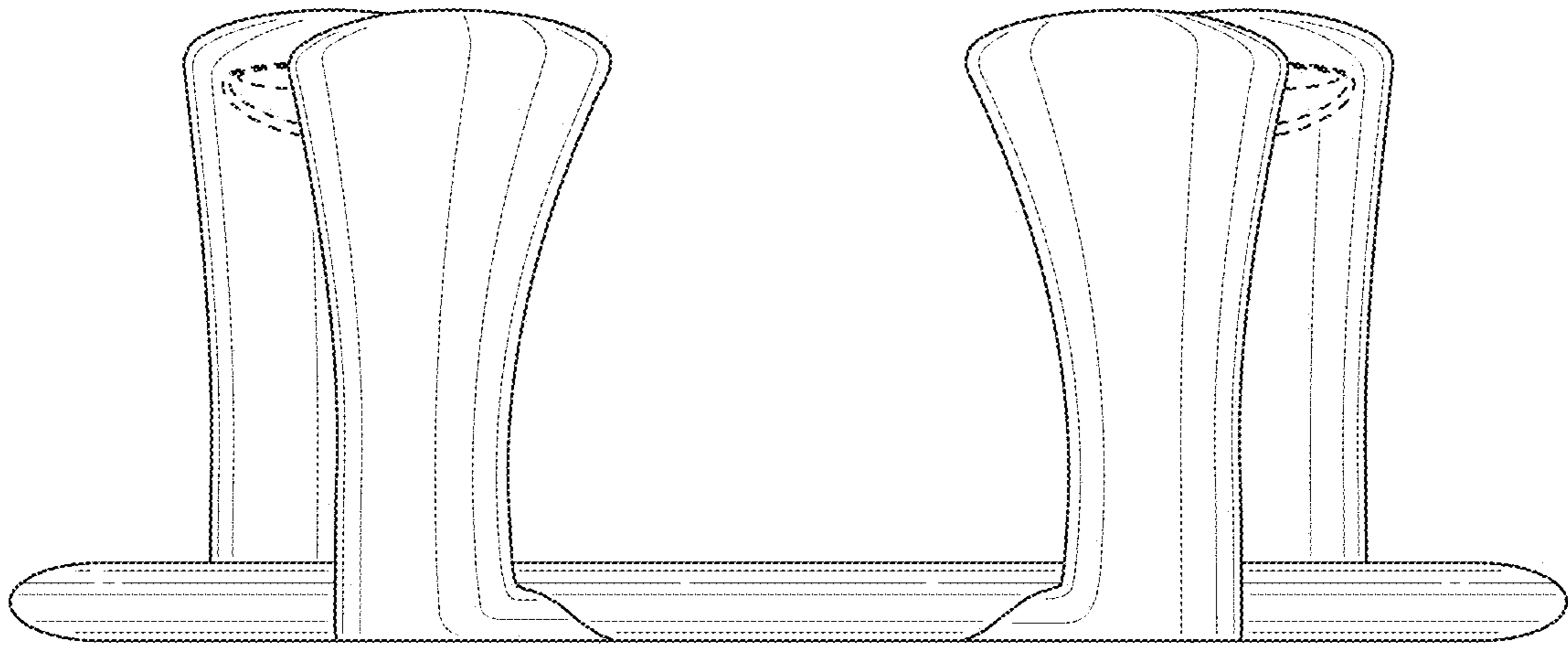


FIG. 2

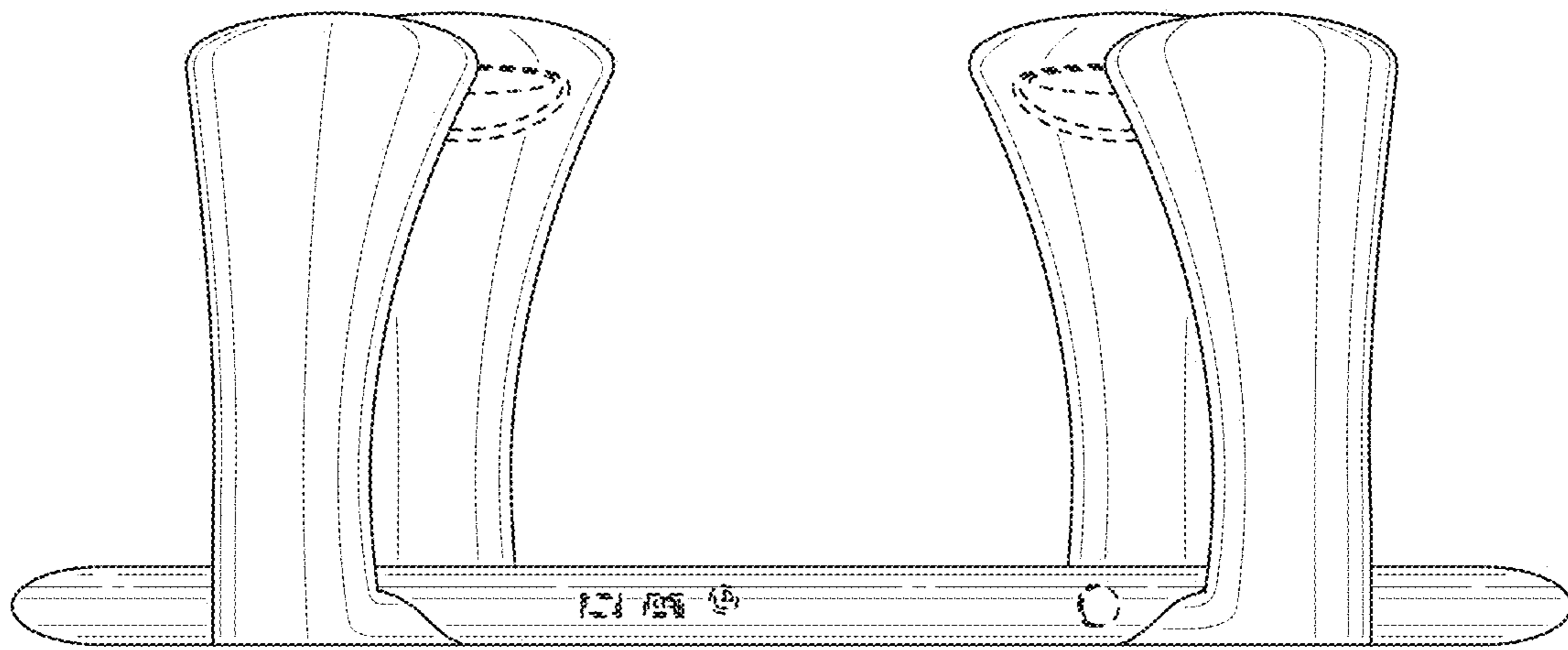


FIG. 3



FIG. 4



FIG. 5

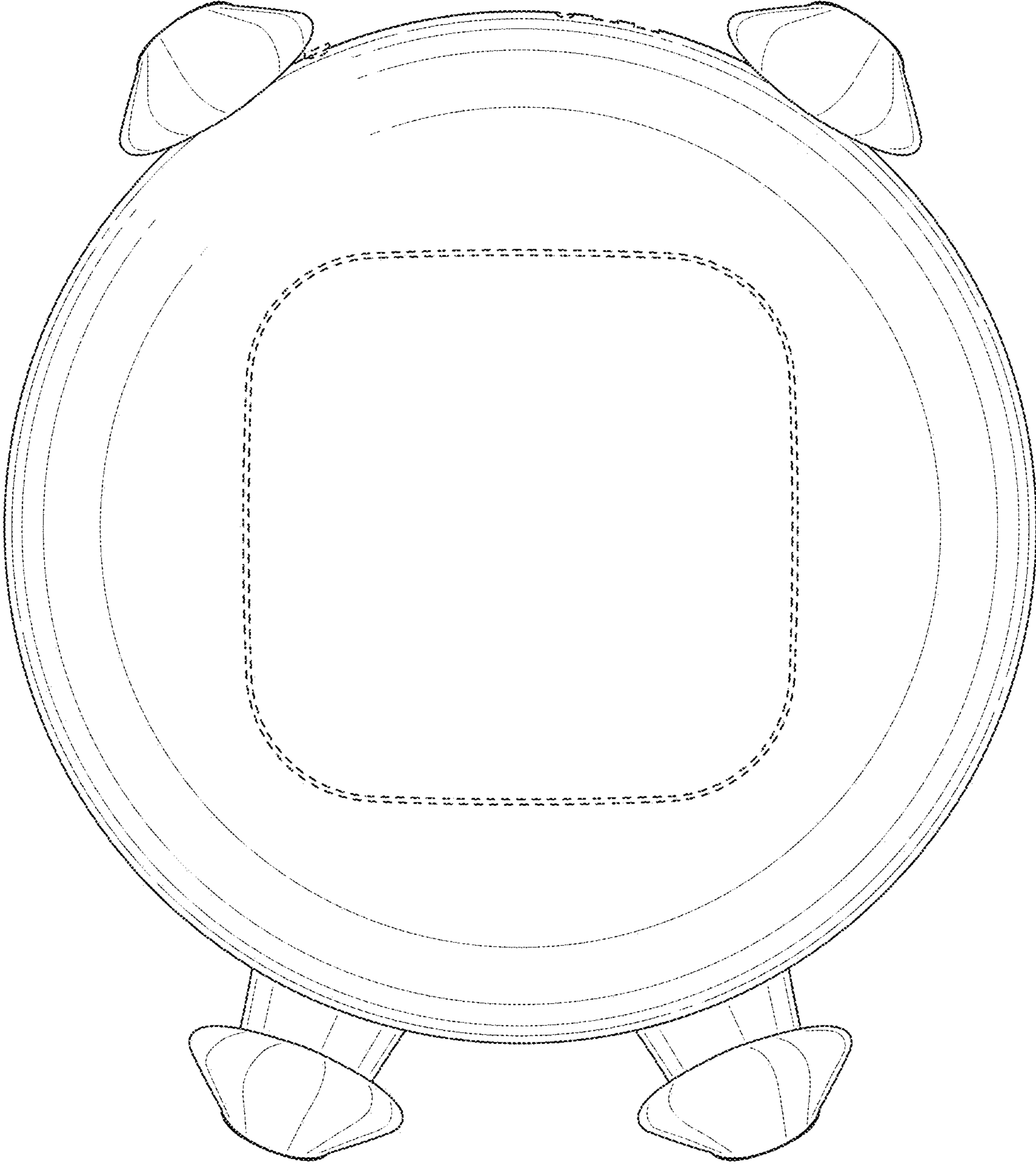


FIG. 6

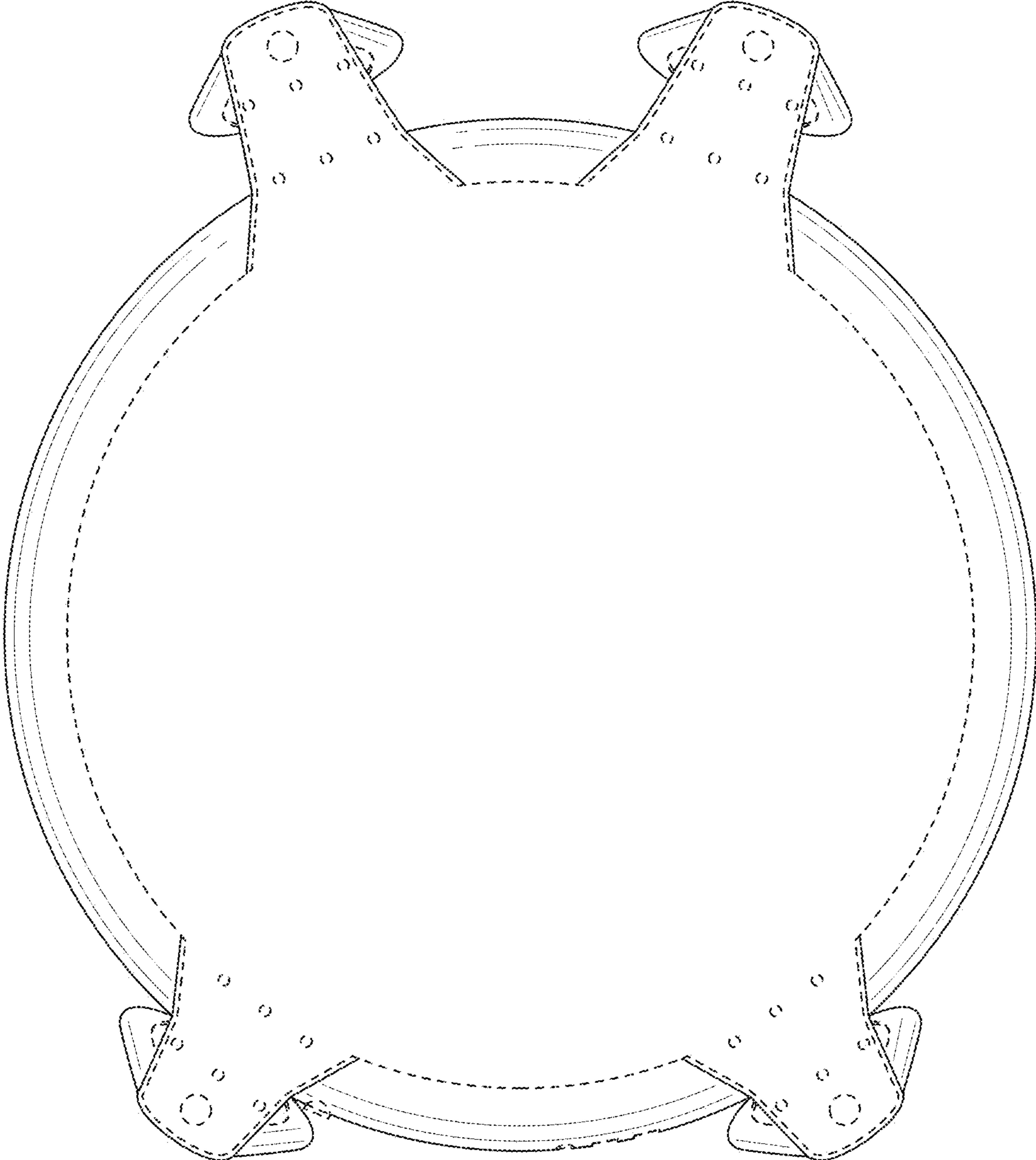


FIG. 7