



US00D972726S

(12) **United States Design Patent**  
**Spencer**

(10) **Patent No.:** **US D972,726 S**

(45) **Date of Patent:** **\*\* Dec. 13, 2022**

- (54) **TATTOO DEVICE**
- (71) Applicant: **Pursuit of Madness LLC**, Las Vegas, NV (US)
- (72) Inventor: **Austin Spencer**, Las Vegas, NV (US)
- (\*\*) Term: **15 Years**
- (21) Appl. No.: **29/765,718**
- (22) Filed: **Jan. 11, 2021**
- (51) **LOC (13) Cl.** ..... **24-02**
- (52) **U.S. Cl.**  
USPC ..... **D24/146**
- (58) **Field of Classification Search**  
USPC ..... D24/108, 127, 133, 144, 146, 147;  
D8/30  
CPC ..... A61M 37/0076; A61M 37/0084; A61M  
2210/04; A61M 35/003; A61B  
2018/00452  
See application file for complete search history.

- D393,715 S \* 4/1998 Strickland ..... D24/133
- D405,232 S \* 2/1999 Stevens ..... D7/393
- D407,488 S \* 3/1999 Injev ..... D24/133
- 6,033,421 A \* 3/2000 Theiss ..... A61M 37/0076  
606/186
- 6,626,927 B1 9/2003 Koplen
- D504,176 S \* 4/2005 Vijfvinkel ..... D24/143
- 6,920,379 B2 7/2005 Miyamoto
- D518,178 S \* 3/2006 Christiansen ..... D24/147
- D526,411 S \* 8/2006 Easley ..... D24/150
- D536,451 S \* 2/2007 Haydu ..... D24/146
- 7,211,097 B2 5/2007 Carrasco
- D553,738 S \* 10/2007 Simonson ..... D8/300
- 7,380,480 B1 6/2008 Chen
- D597,668 S 8/2009 Woodruff et al.

(Continued)

*Primary Examiner* — Jonathan J Han  
*Assistant Examiner* — Amanda J Berlinski  
(74) *Attorney, Agent, or Firm* — Connie R. Masters

(57) **CLAIM**

The ornamental design for a tattoo device, as shown and described.

(56) **References Cited**

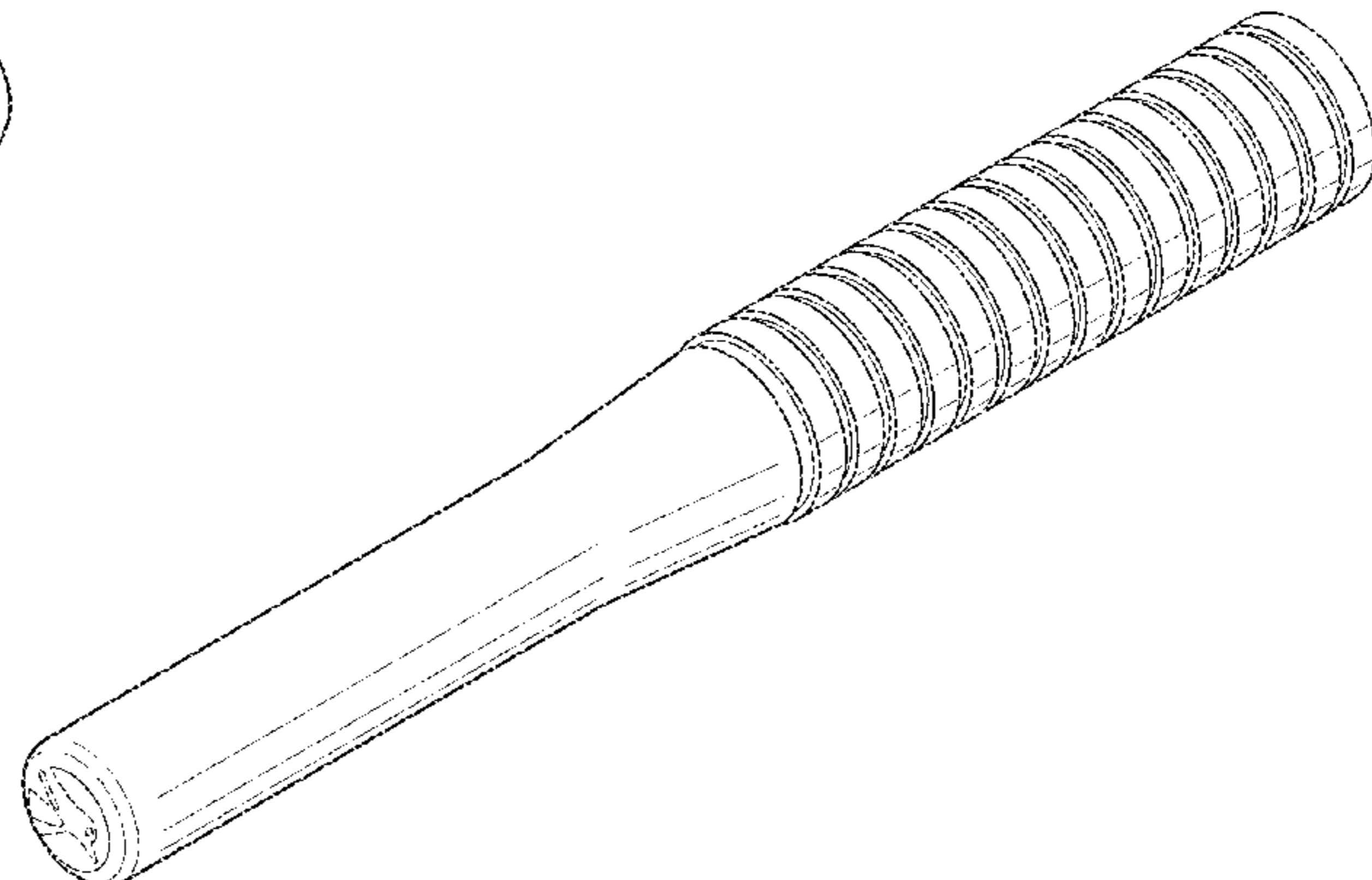
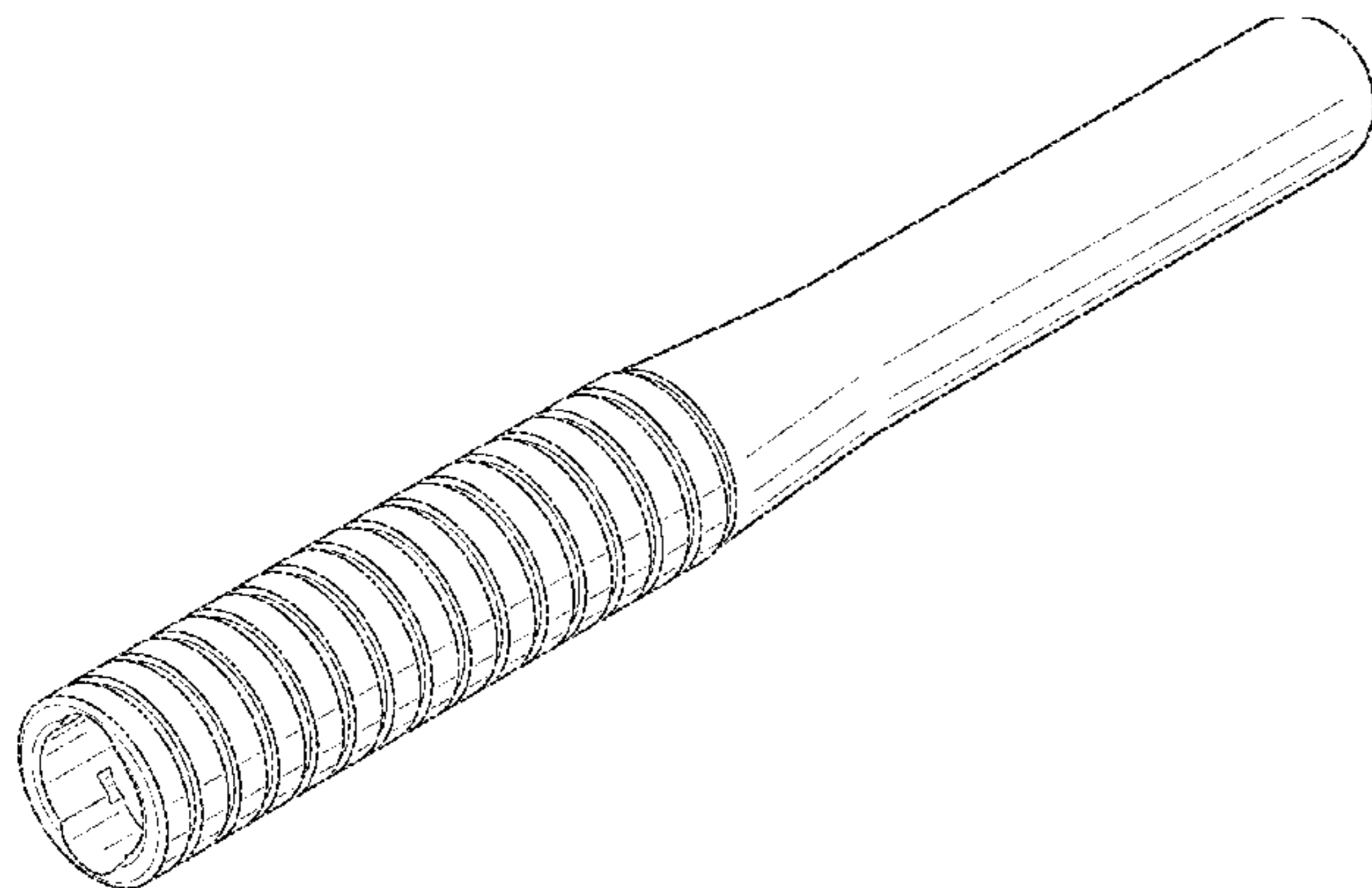
U.S. PATENT DOCUMENTS

- 4,537,193 A \* 8/1985 Tanner ..... A61B 18/24  
606/4
- 4,665,912 A 5/1987 Burton
- 4,862,772 A 9/1989 Piperato
- D341,200 S \* 11/1993 Yoshimoto ..... D24/152
- 5,279,552 A \* 1/1994 Magnet ..... A61M 37/0076  
604/47
- 5,309,641 A \* 5/1994 Wonderley ..... A61B 17/3215  
30/151
- 5,376,099 A \* 12/1994 Ellis ..... A61B 17/3211  
606/166
- D359,354 S \* 6/1995 Butter ..... D24/170
- D364,923 S \* 12/1995 Chou ..... D24/144
- 5,472,449 A \* 12/1995 Chou ..... A61M 37/0076  
606/186
- D380,046 S 6/1997 Domanowski

**DESCRIPTION**

FIG. 1 is a front perspective view of a tattoo device, showing my new design;  
FIG. 2 is a rear perspective view thereof;  
FIG. 3 is a top view thereof, where the left side view, right side view, and bottom view are identical to the top view;  
FIG. 4 is a front view thereof;  
FIG. 5 is a rear view thereof; and,  
FIG. 6 is an exploded right side view thereof showing the tattoo device with an attachment.  
The broken lines in FIG. 2, FIG. 4, and FIG. 5 depict portions of the tattoo device that form no part of the claimed design. The broken lines in FIG. 6 depict environmental subject matter that forms no part of the claimed design.

**1 Claim, 5 Drawing Sheets**



(56)

References Cited

U.S. PATENT DOCUMENTS

D601,252 S *	9/2009	Ra	.....	D24/142	D805,198 S	12/2017	Lee	
D641,468 S *	7/2011	Ruiz, Sr.	.....	D9/723	D824,512 S *	7/2018	Laliberté	..... D24/112
D663,836 S *	7/2012	Ruiz, Sr.	.....	D28/7	D829,520 S *	10/2018	Miyazaki	..... D8/30
D677,790 S *	3/2013	Little	.....	A61M 37/0076	D848,674 S	5/2019	Zu	
				D24/146	D855,805 S *	8/2019	Chen	..... D24/147
D686,728 S	7/2013	Chen et al.			D881,385 S	4/2020	Tiedeken	
D691,263 S	10/2013	Chen et al.			D884,163 S *	5/2020	Tiedeken	..... D24/146
D709,196 S	7/2014	Greep et al.			D903,866 S	12/2020	Chen	
D722,256 S *	2/2015	Kita	.....	D8/30	D909,577 S *	2/2021	Wang	..... D24/146
D739,696 S *	9/2015	Miyazaki	.....	D8/30	D943,092 S *	2/2022	Buehrle	..... D24/127
D743,546 S	11/2015	Jayaraj			D956,222 S *	6/2022	Vaughan	..... D24/133
D744,645 S *	12/2015	Smith	.....	D24/140	2012/0179186 A1 *	7/2012	Abbott	..... A61M 37/0076
D745,151 S *	12/2015	Smith	.....	D24/144				91/55
D748,781 S *	2/2016	Zhang	.....	D24/133	2014/0025099 A1 *	1/2014	Morrison	..... A61M 37/0076
D748,783 S *	2/2016	Zhang	.....	D24/133				606/186
D766,432 S	9/2016	Schuerg			2014/0221943 A1 *	8/2014	Carrara	..... B65D 47/42
D794,194 S	8/2017	Schuerg						604/310
D805,195 S	12/2017	Lee			2015/0359559 A1 *	12/2015	Scherkowski	... A61B 17/32093
D805,197 S	12/2017	Lee						606/186
					2018/0000419 A1 *	1/2018	Rassman	..... A61B 5/6848
					2022/0218972 A1 *	7/2022	Spencer	..... A61M 37/0076

\* cited by examiner

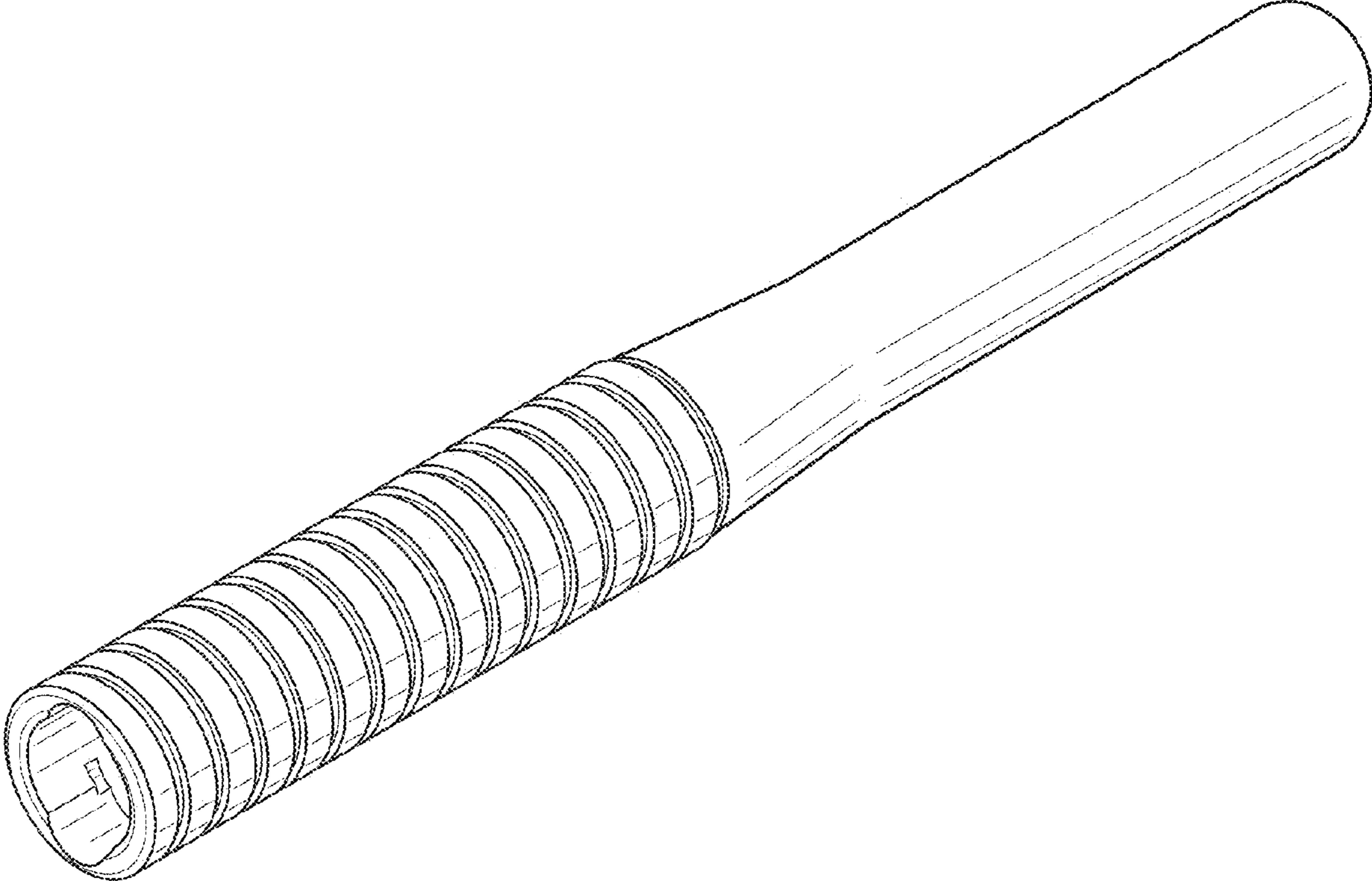


FIG. 1

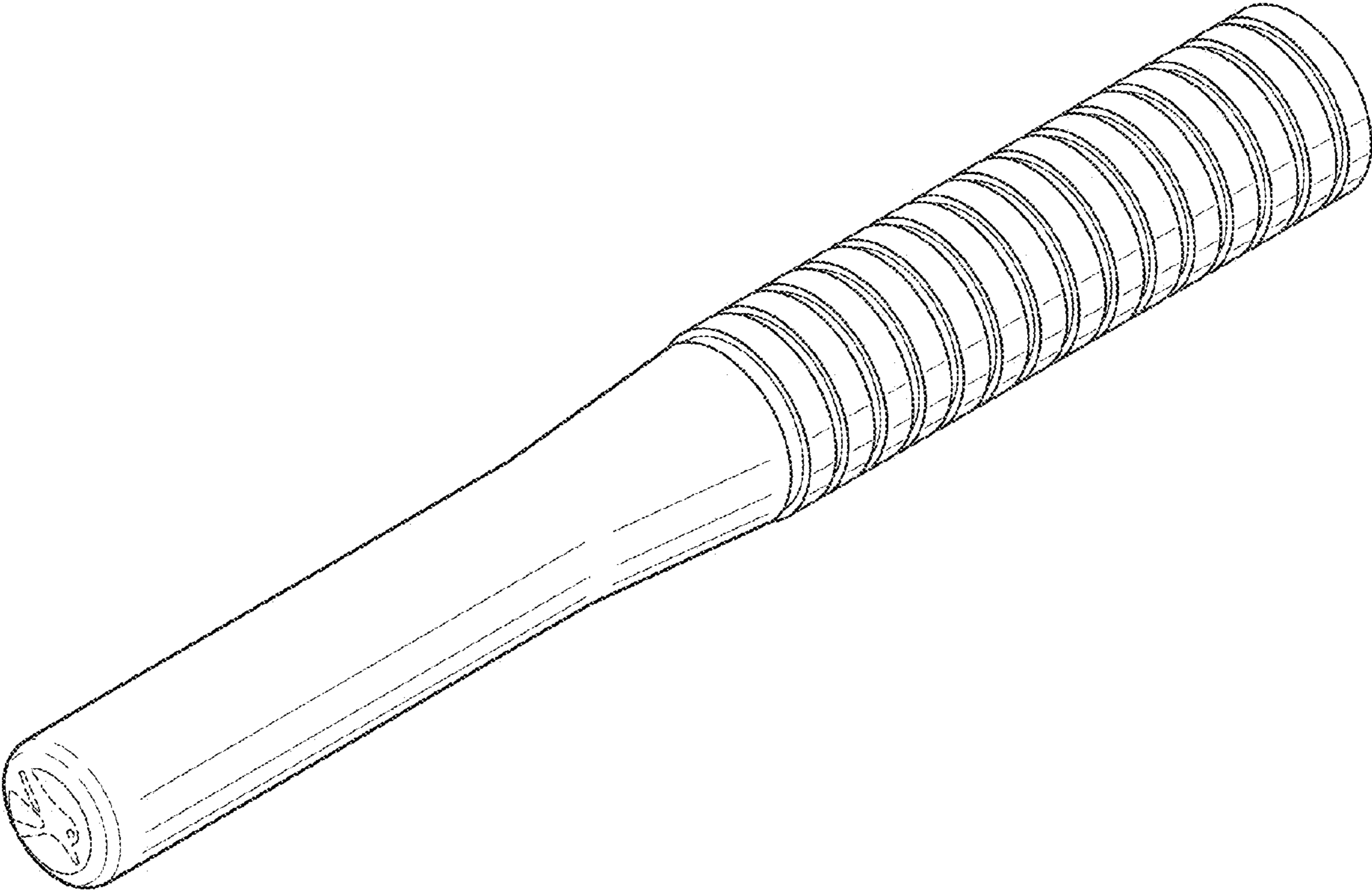


FIG. 2

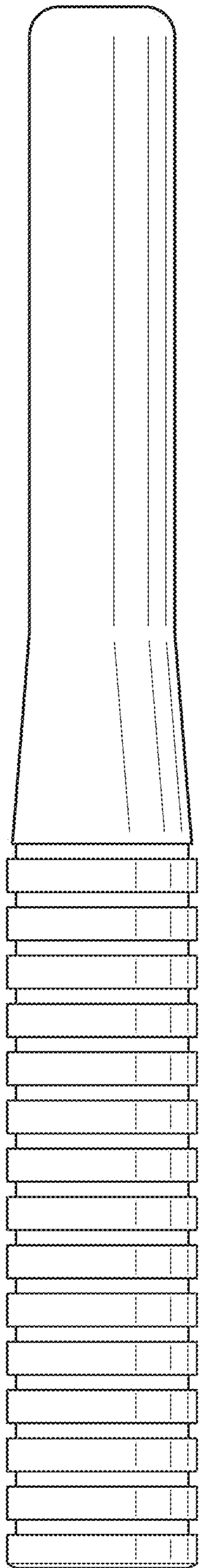


FIG. 3

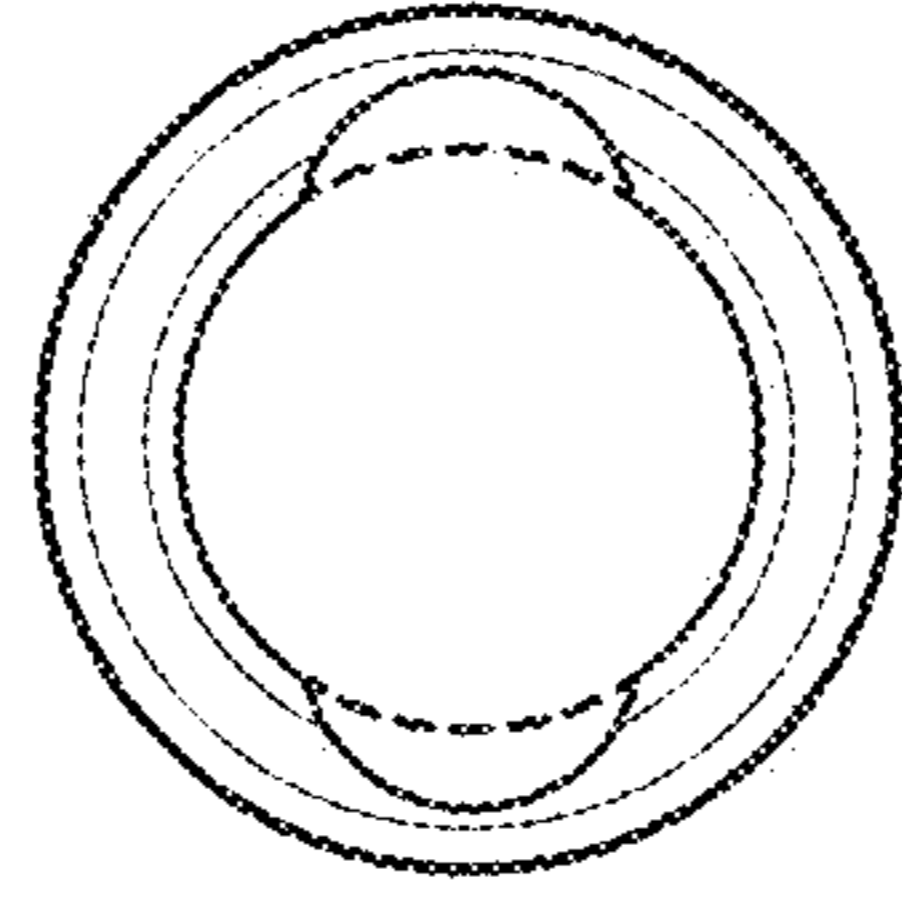


FIG. 4



FIG. 5

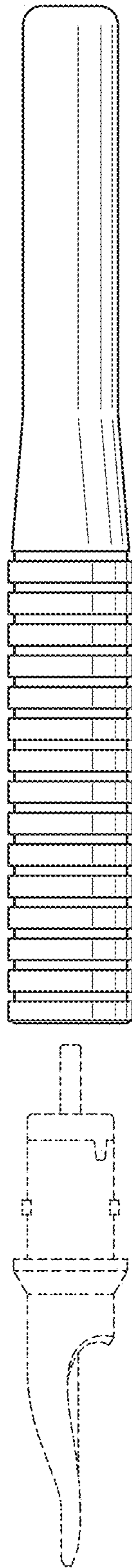


FIG. 6