



US00D972725S

(12) **United States Design Patent**
Takahashi

(10) **Patent No.:** **US D972,725 S**
(45) **Date of Patent:** **** Dec. 13, 2022**

(54) **EXTRACORPOREAL MARKER FOR MEDICAL USE**

(71) Applicant: **FUJIFILM CORPORATION**, Tokyo (JP)

(72) Inventor: **Keiichiro Takahashi**, Kanagawa (JP)

(73) Assignee: **FUJIFILM CORPORATION**, Tokyo (JP)

(**) Term: **15 Years**

(21) Appl. No.: **29/763,776**

(22) Filed: **Dec. 23, 2020**

(51) **LOC (13) Cl.** **24-02**

(52) **U.S. Cl.**
USPC **D24/138**

(58) **Field of Classification Search**
USPC D24/231, 230, 164, 222, 138
CPC .. A61B 1/00; A61B 17/00; G02B 1/00; G02B 2207/00; G06V 10/00; A61M 1/00; A61M 3/00; A61M 11/00; A61M 15/00; A61M 25/00; B43K 1/00; G06T 1/00; G06T 2200/00; A61K 6/00; A61K 2121/00

See application file for complete search history.

(56) **References Cited**

U.S. PATENT DOCUMENTS

- 4,268,183 A * 5/1981 Sekiguchi B43K 27/08 401/32
- 4,469,110 A * 9/1984 Slama A61B 5/15019 600/583
- 4,627,445 A * 12/1986 Garcia A61B 5/1455 600/583
- 4,760,937 A * 8/1988 Evezich B65D 83/0055 222/209

(Continued)

FOREIGN PATENT DOCUMENTS

- JP D1686755 * 5/2021
- JP D1692825 * 8/2021
- JP D1692884 * 8/2021

OTHER PUBLICATIONS

QuickClip Pro In-Service, Feb. 9, 2016, youtube.com [online], [site visited Mar. 23, 2022], Available from internet, URL: <https://www.youtube.com/watch?v=hsu66Kw-3fQ> (Year: 2016).*

(Continued)

Primary Examiner — Wendy L Arminio

Assistant Examiner — Maheen Khurshid

(74) *Attorney, Agent, or Firm* — Solaris Intellectual Property Group, PLLC

(57) **CLAIM**

The ornamental design for an extracorporeal marker for medical use, as shown and described.

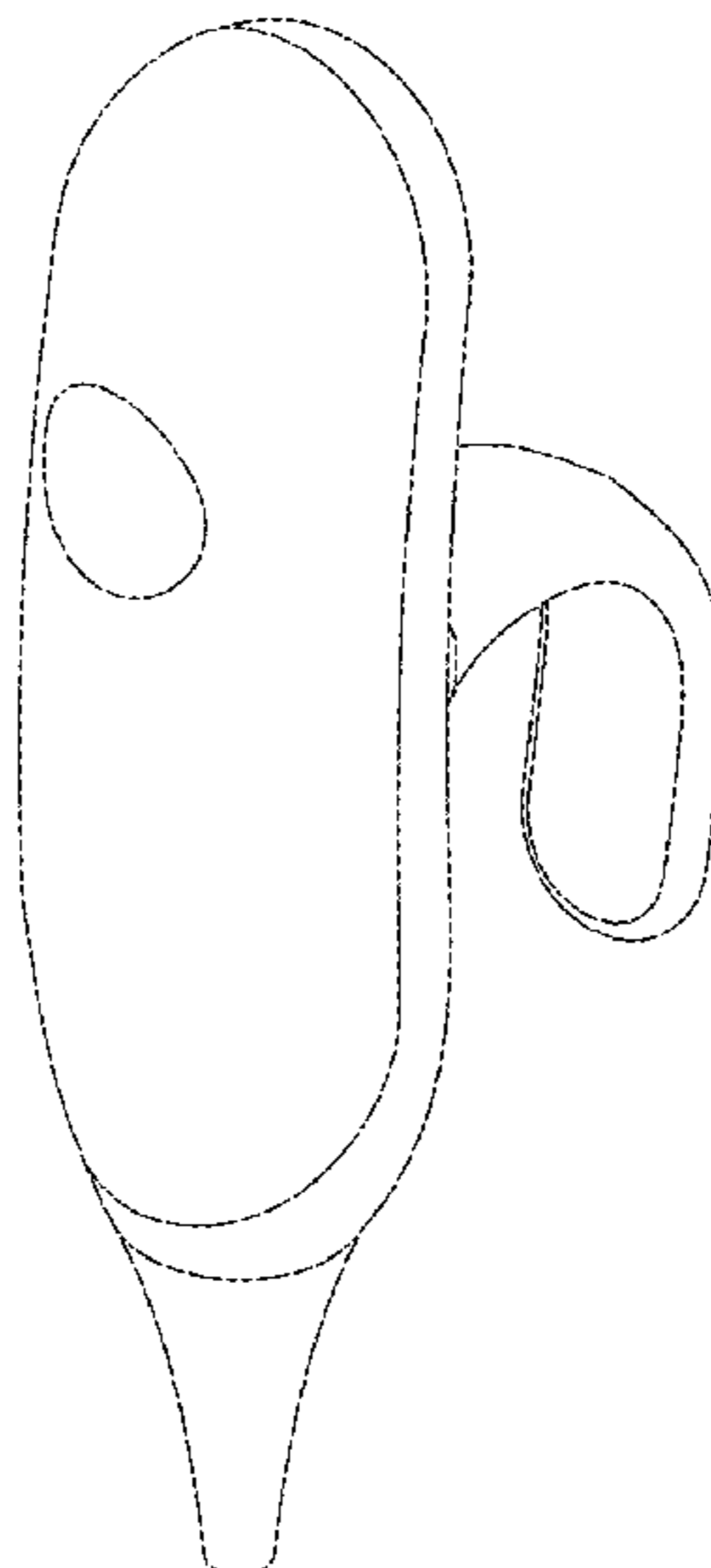
DESCRIPTION

FIG. 1 is a front perspective view of an extracorporeal marker for medical use, showing the new design; FIG. 2 is a rear perspective view thereof; FIG. 3 is a front view thereof; FIG. 4 is a rear view thereof; FIG. 5 is a right-side view thereof; FIG. 6 is a left-side view thereof; FIG. 7 is a top view thereof; FIG. 8 is a bottom side view; and, FIG. 9 is another perspective view of the extracorporeal marker for medical use shown in FIG. 1, shown in a position of use.

The broken lines in FIG. 9 showing a human hand and a cable depict environment and form no part of the claimed design.

The present article is an extracorporeal marker for medical use which is intended to be used in conjunction with an endoscope.

1 Claim, 9 Drawing Sheets



(56)

References Cited

U.S. PATENT DOCUMENTS

4,948,285 A * 8/1990 Schleif B43K 29/013
401/32
5,108,211 A * 4/1992 Rigoni B43K 24/06
401/109
D388,170 S * 12/1997 Sjostrom D24/133
6,059,789 A * 5/2000 Dinger A61B 17/0483
606/86 R
D454,638 S * 3/2002 Topala D24/138
6,364,163 B1 * 4/2002 Mueller B65D 83/0072
222/481.5
6,685,691 B1 * 2/2004 Freund B65D 83/62
222/105
6,742,676 B2 * 6/2004 Nakamura B65D 1/0215
222/96
7,008,131 B2 * 3/2006 Kagevarna B43K 24/146
401/35
D547,864 S * 7/2007 Rau 600/131
D591,424 S * 4/2009 Costa D24/184
8,845,616 B2 * 9/2014 Minskoff A61M 1/7411
606/45

D852,374 S * 6/2019 Kozlenko D24/222
D875,964 S * 2/2020 Doebele D24/222
10,888,117 B2 * 1/2021 Danek A61M 15/0085
2006/0282486 A1 * 12/2006 Bhavnani G06F 15/025
708/160
2011/0004057 A1 * 1/2011 Goldfarb A61M 29/02
600/106
2015/0216234 A1 * 8/2015 Chung A24F 40/485
131/329
2016/0310231 A1 * 10/2016 Cohen C09D 11/50
2017/0333153 A1 * 11/2017 Halpert B43K 29/08
2019/0269865 A1 * 9/2019 Vu A61K 31/352
2019/0283485 A1 * 9/2019 Xie B43K 8/08
2020/0230329 A1 * 7/2020 Danek A24F 40/42
2021/0213213 A1 * 7/2021 Säll A61M 11/00

OTHER PUBLICATIONS

Fujifilm Endoscopy System, Dec. 30, 2015, youtube.com, youtube.com [online], [site visited Mar. 23, 2022], Available from internet, URL: <<https://www.youtube.com/watch?v=2WThySRFwnk>> (Year: 2015).*

* cited by examiner

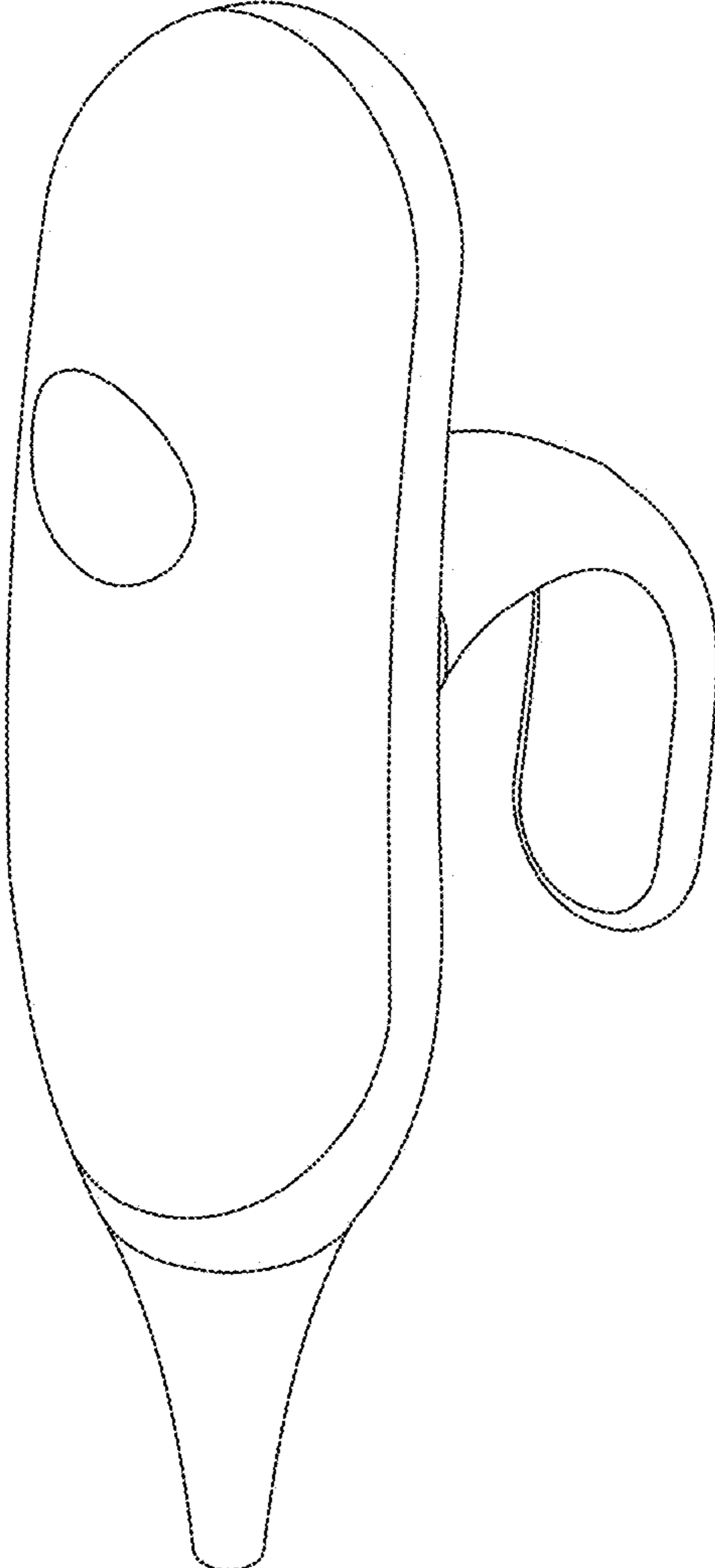


FIG. 1

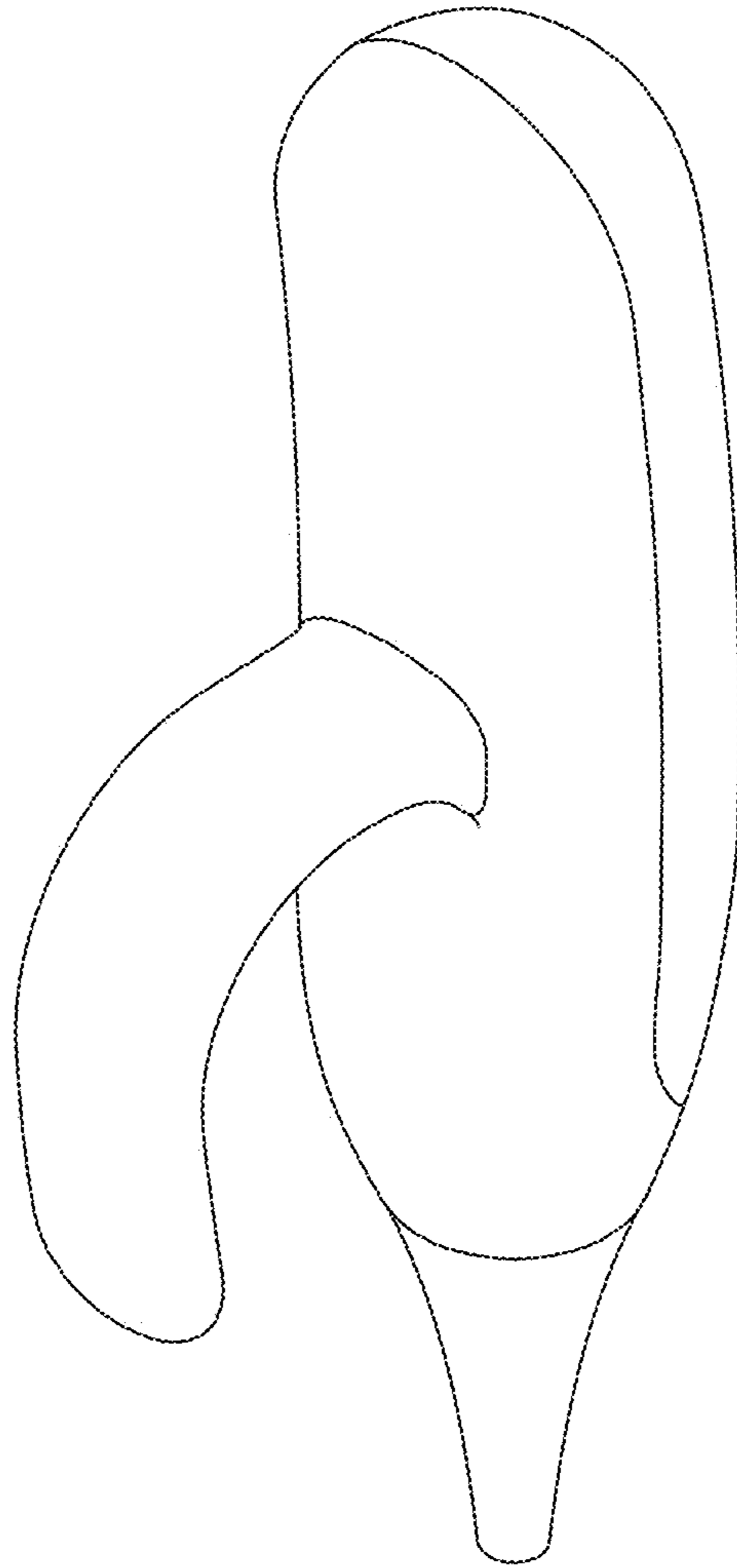


FIG. 2

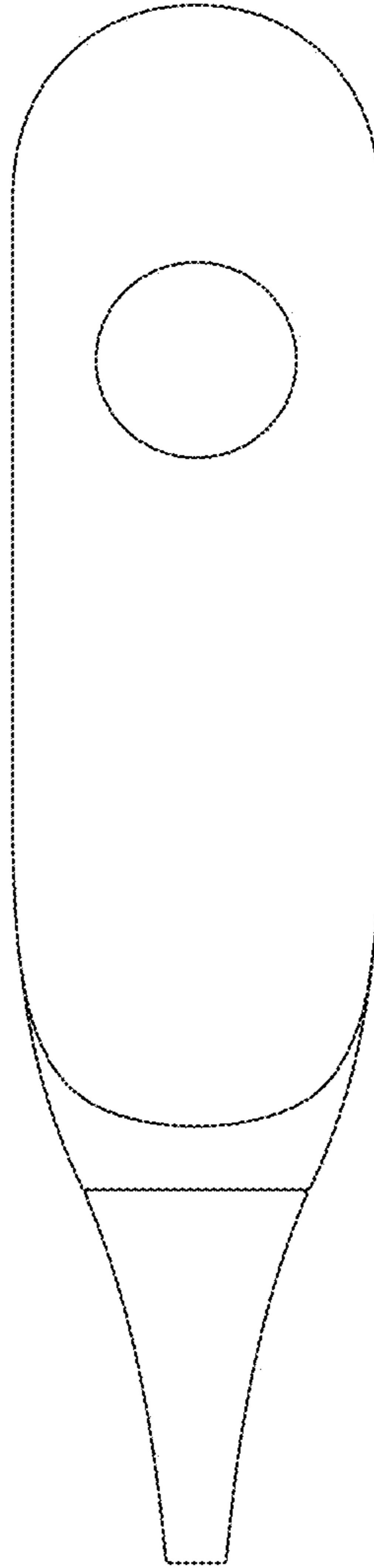


FIG. 3

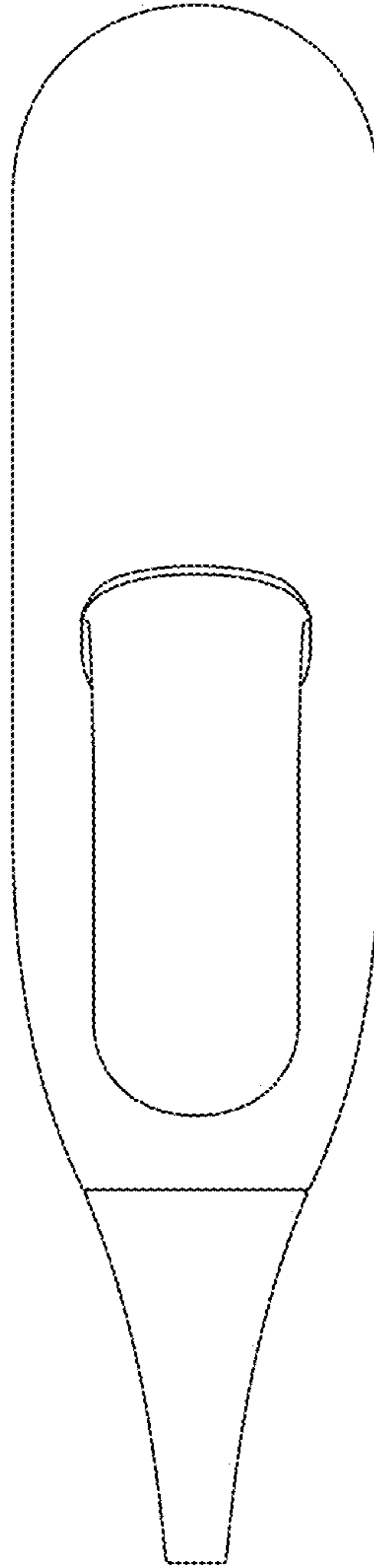


FIG. 4

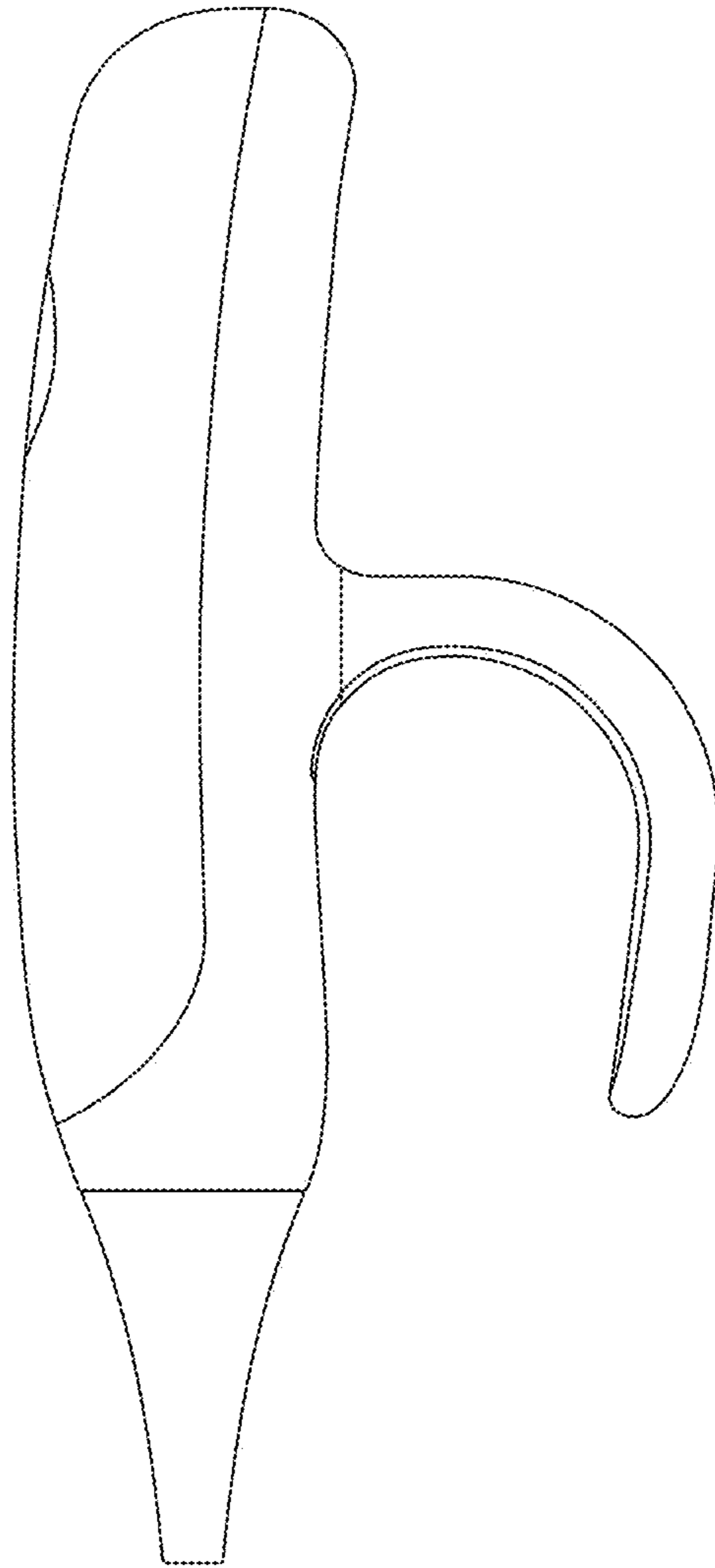


FIG. 5

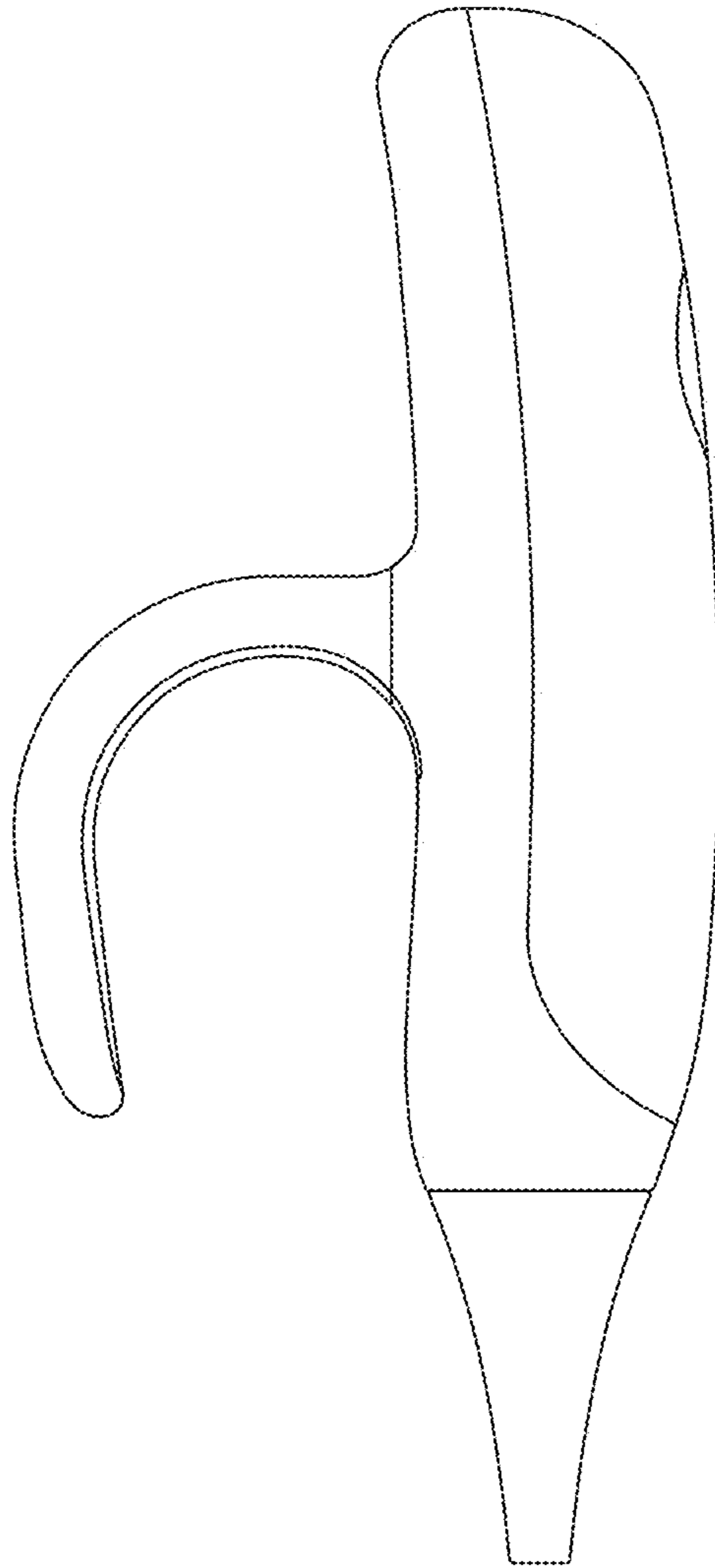


FIG. 6

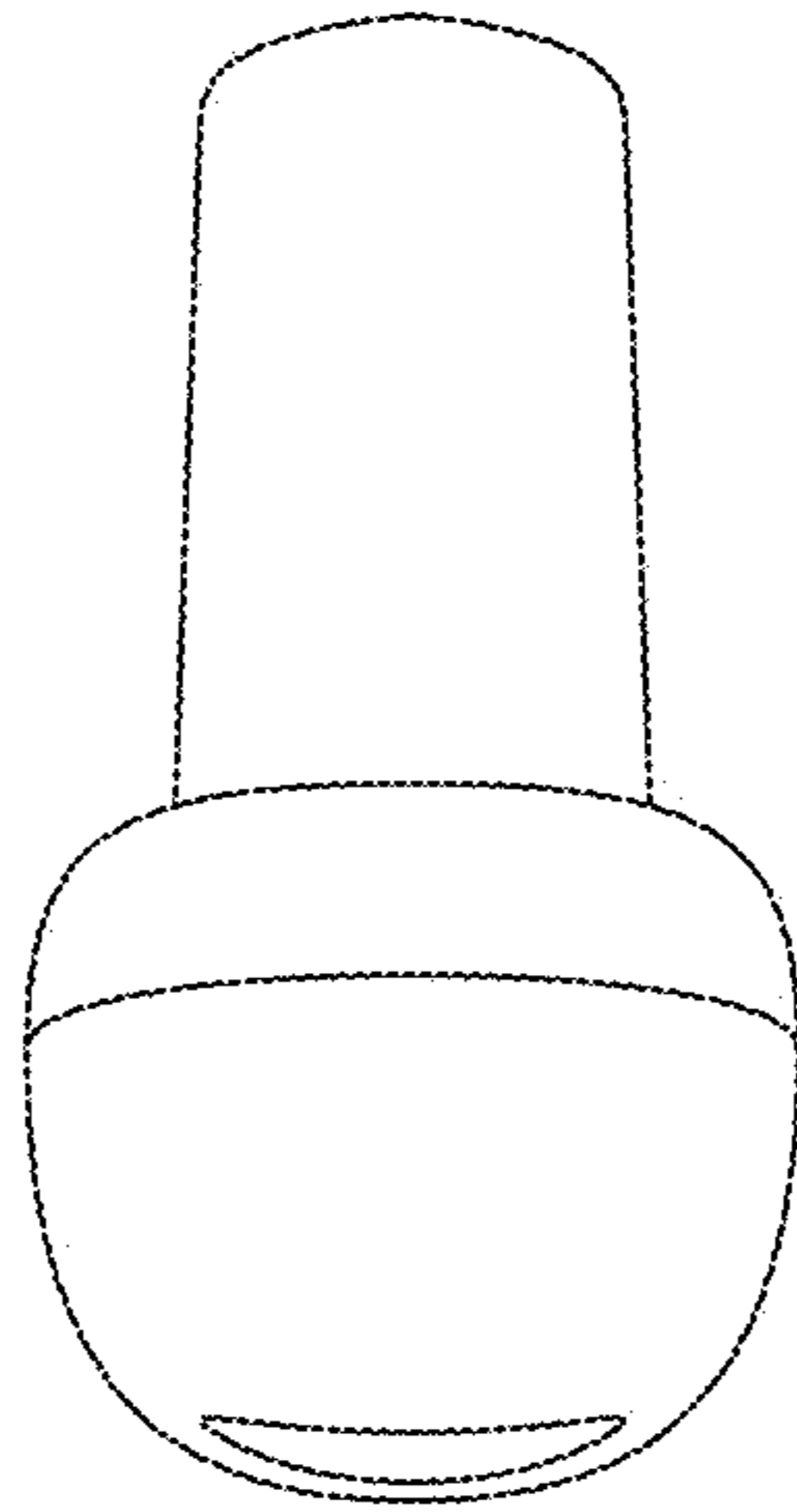


FIG. 7

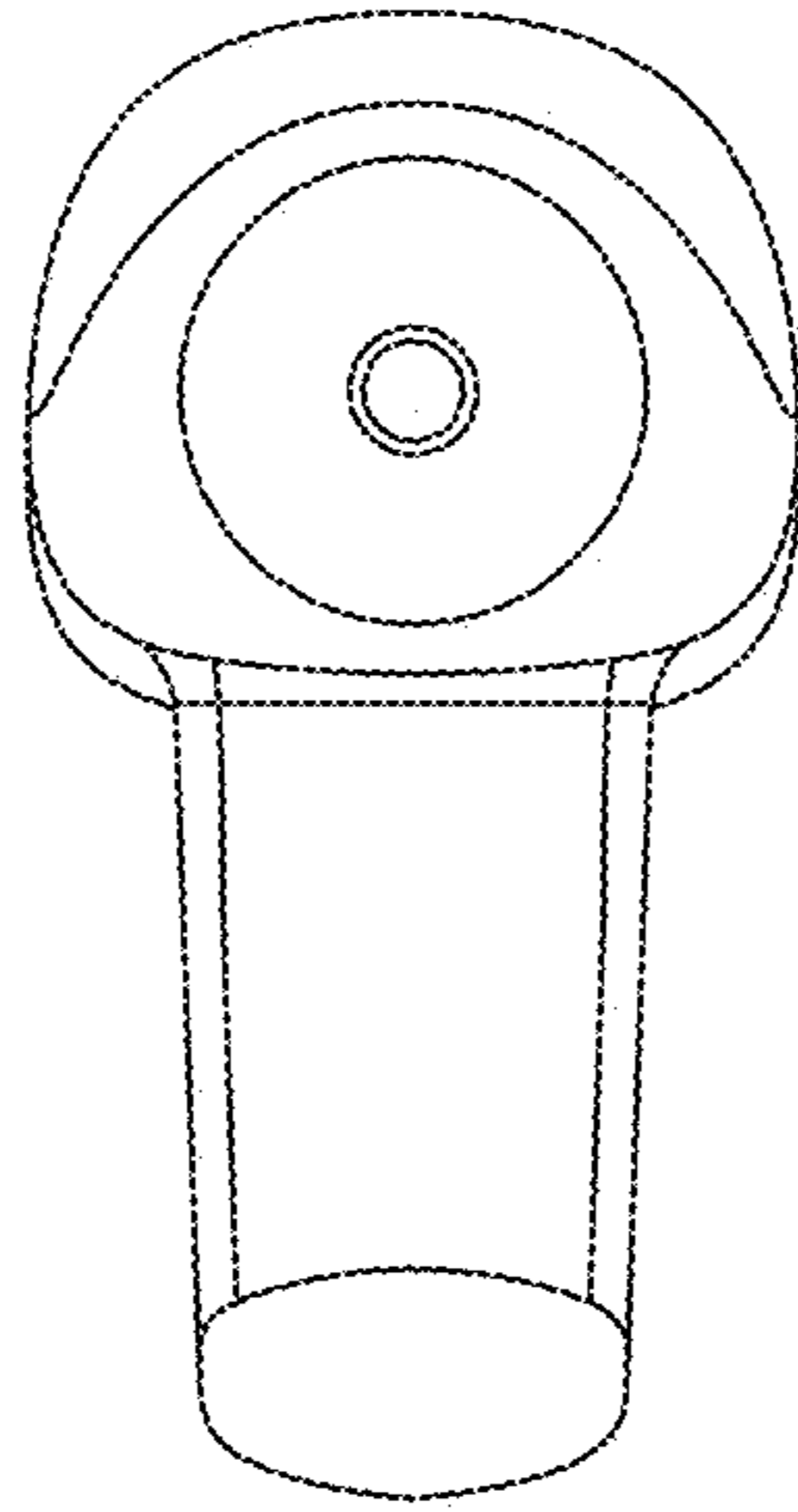


FIG. 8

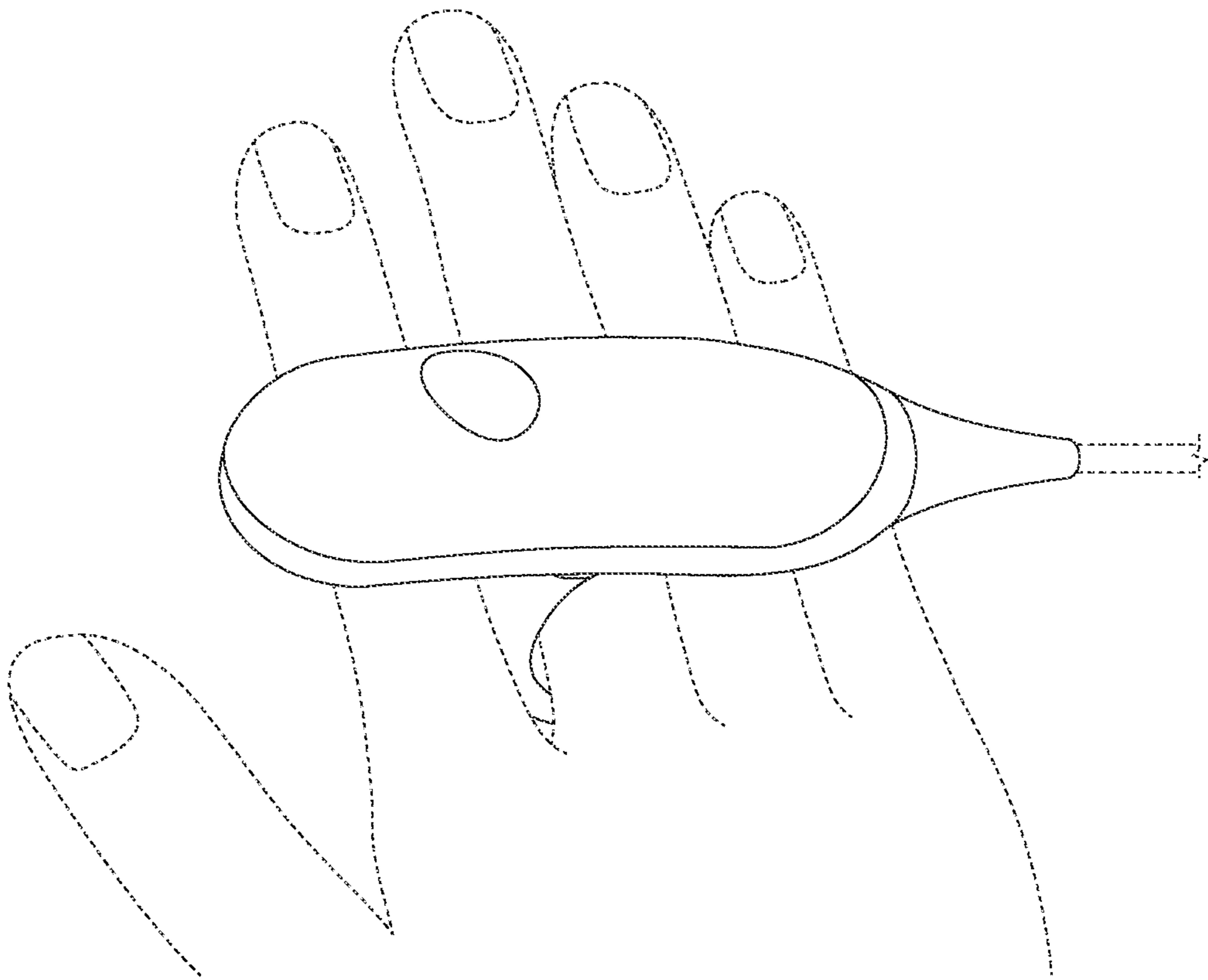


FIG. 9

UNITED STATES PATENT AND TRADEMARK OFFICE
CERTIFICATE OF CORRECTION

PATENT NO. : D972,725 S
APPLICATION NO. : 29/763776
DATED : December 13, 2022
INVENTOR(S) : Keiichiro Takahashi

Page 1 of 1

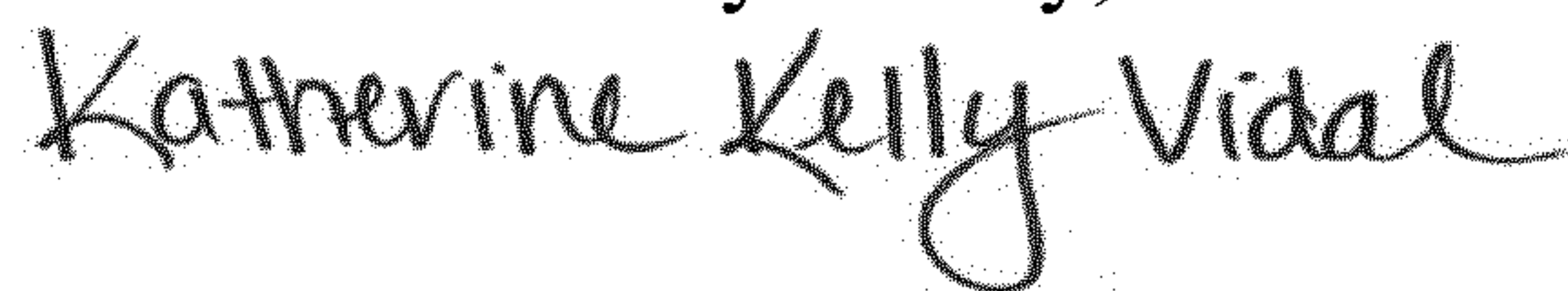
It is certified that error appears in the above-identified patent and that said Letters Patent is hereby corrected as shown below:

On the Title Page

Item (30), titled "Foreign Application Priority Data", should be added and should read:

Aug. 12, 2020 (JP)..... JP2020-016917 D

Signed and Sealed this
Sixteenth Day of July, 2024



Katherine Kelly Vidal
Director of the United States Patent and Trademark Office