

US00D972723S

(12) **United States Design Patent** (10) **Patent No.:** **US D972,723 S**  
**Swift et al.** (45) **Date of Patent:** **\*\* Dec. 13, 2022**

(54) **REINFORCEMENT ARMS AND COLLAR FOR AN EXPANDABLE CANNULA TIP**  
(71) Applicant: **ANGIODYNAMICS, INC.**, Latham, NY (US)  
(72) Inventors: **Kevin Swift**, Hudson, MA (US); **Seth Cote**, Nashua, NH (US)  
(73) Assignee: **ANGIODYNAMICS, INC.**, Latham, NY (US)

5,713,853 A 2/1998 Clark et al.  
5,908,435 A 6/1999 Samuels  
5,925,032 A 7/1999 Clements  
D414,273 S 9/1999 Smith et al.  
6,083,239 A 7/2000 Addis  
6,173,868 B1 1/2001 DeJonge  
6,206,868 B1 3/2001 Parodi

(Continued)

**FOREIGN PATENT DOCUMENTS**

WO 9945835 A2 9/1999

(\*\*) Term: **15 Years**

**OTHER PUBLICATIONS**

(21) Appl. No.: **29/774,511**

Venous Drainage Cannula and Circuits, Angiodynamics, [Post date unknown], [Site seen Sep. 26, 2022], Seen at URL: <https://mydevicemd.com/medical-device/angiovac-cannula-and-circuit> (Year: 2022).\*

(22) Filed: **Mar. 17, 2021**

(51) **LOC (13) Cl.** ..... **24-02**

(52) **U.S. Cl.**  
USPC ..... **D24/130**

(58) **Field of Classification Search**  
USPC ..... D24/112-114, 108, 130, 127, 129, 133, D24/186, 232, 184, 146  
CPC ..... A61F 2/013; A61F 2/01; A61F 2/958; A61M 1/0056; A61M 1/0058  
See application file for complete search history.

*Primary Examiner* — Natasha Vujcic  
*Assistant Examiner* — Gilbert B Ford  
(74) *Attorney, Agent, or Firm* — Heslin Rothenberg Farley & Mesiti P.C.

(57) **CLAIM**

We claim, the ornamental design for a reinforcement arms and collar for an expandable cannula tip, as shown and described.

(56) **References Cited**

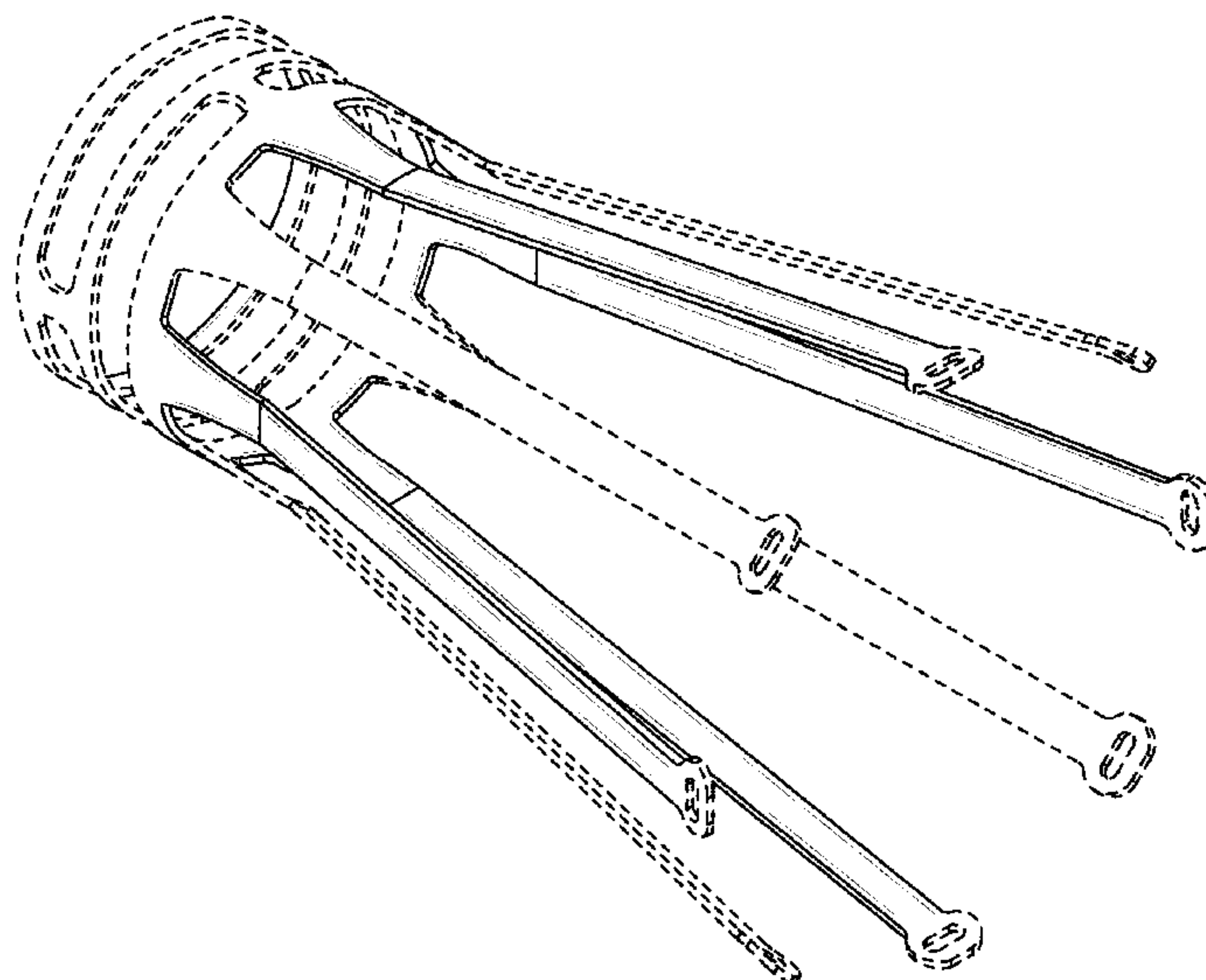
**DESCRIPTION**

**U.S. PATENT DOCUMENTS**

3,690,323 A 9/1972 Wortman et al.  
3,831,587 A 8/1974 Boyd  
4,101,128 A \* 7/1978 Yellen ..... A63B 67/187 473/459  
D279,608 S 7/1985 Carey  
4,564,408 A 1/1986 Crumbach et al.  
4,611,594 A 9/1986 Grayhack et al.  
4,921,478 A 5/1990 Solano et al.  
4,936,823 A 6/1990 Colvin et al.  
5,011,488 A 4/1991 Ginsburg  
5,158,533 A 10/1992 Strauss et al.  
5,188,618 A 2/1993 Thomas  
5,707,359 A 1/1998 Bufalini  
5,707,362 A 1/1998 Yoon

FIG. 1 is a perspective view of a reinforcement arms and collar for an expandable cannula tip comprising the new design;  
FIG. 2 is a side view thereof;  
FIG. 3 is an opposing side view thereof;  
FIG. 4 is a bottom view thereof; and,  
FIG. 5 is a top view thereof.  
The broken lines in the drawings illustrate portions of the reinforcement arms and collar for an expandable cannula tip and form no part of the claimed design.

**1 Claim, 5 Drawing Sheets**



(56)

References Cited

U.S. PATENT DOCUMENTS

6,241,738 B1	6/2001	Dereume		D653,336 S	1/2012	Morgan et al.	
6,306,163 B1	10/2001	Fitz		8,167,903 B2	5/2012	Hardert et al.	
6,364,896 B1	4/2002	Addis		D672,460 S	12/2012	Baid	
6,413,235 B1	7/2002	Parodi		D674,084 S	1/2013	Linnenschmidt	
6,413,243 B1	7/2002	Geist		8,470,016 B2	6/2013	Sherburne	
6,423,032 B2	7/2002	Parodi		8,574,259 B2	11/2013	Welch et al.	
6,450,712 B1	9/2002	Shah et al.		8,945,141 B2	2/2015	Cahill	
6,500,191 B2	12/2002	Addis		D744,639 S	12/2015	Aklog et al.	
6,719,717 B1	4/2004	Johnson et al.		9,993,622 B2 *	6/2018	Liungman .....	A61M 25/04
6,852,280 B2	2/2005	Vijay et al.		10,357,640 B2	7/2019	Abbate	
6,905,490 B2	6/2005	Parodi		10,856,962 B2	12/2020	Villareal et al.	
6,908,474 B2	6/2005	Hogendijk et al.		D916,280 S *	4/2021	Swift .....	A61B 17/22
6,936,060 B2	8/2005	Hogendijk et al.					D24/130
D509,589 S	9/2005	Wells		D916,281 S *	4/2021	Swift .....	D24/130
6,946,099 B2	9/2005	Vijay et al.		D931,447 S *	9/2021	Swift .....	D24/130
6,960,222 B2	11/2005	Vo et al.		2001/0049486 A1	12/2001	Evans et al.	
6,989,027 B2	1/2006	Allen et al.		2002/0058964 A1	5/2002	Addis	
7,118,585 B2	10/2006	Addis		2002/0165574 A1	11/2002	Ressemann et al.	
7,223,253 B2	5/2007	Hogendijk		2003/0093112 A1	5/2003	Addis	
7,229,402 B2	6/2007	Diaz et al.		2004/0167564 A1	8/2004	Fedie	
D569,509 S	5/2008	Melanson et al.		2004/0220608 A1	11/2004	D'Aquanni et al.	
7,374,560 B2	5/2008	Ressemann et al.		2006/0047300 A1	3/2006	Eidenschink	
7,625,390 B2	12/2009	Hendriksen et al.		2008/0041516 A1	2/2008	Chiu et al.	
D613,859 S	4/2010	Bierman		2008/0188806 A1 *	8/2008	Cattaneo .....	A61M 25/0082
D623,805 S	9/2010	Vosbikian					604/104
7,794,473 B2	9/2010	Tessmer et al.		2009/0069840 A1	3/2009	Hallisey	
7,799,046 B2	9/2010	White et al.		2010/0168786 A1	7/2010	Dower	
D642,261 S	7/2011	York et al.		2011/0213297 A1	9/2011	Aklog et al.	
8,025,668 B2 *	9/2011	McCartney .....	A61B 8/0841	2013/0253571 A1	9/2013	Bates	
			600/122	2014/0364941 A1	12/2014	Edmiston et al.	
D649,634 S	11/2011	May et al.		2015/0250577 A1	9/2015	Hall	
8,075,510 B2	12/2011	Aklog et al.		2016/0175084 A1	6/2016	Johnson et al.	
D653,226 S	1/2012	Morgan et al.		2016/0367734 A1	12/2016	Gavlak et al.	
				2018/0110606 A1	4/2018	Gorochow	
				2021/0231700 A1 *	7/2021	Halfon .....	G01P 5/02

\* cited by examiner

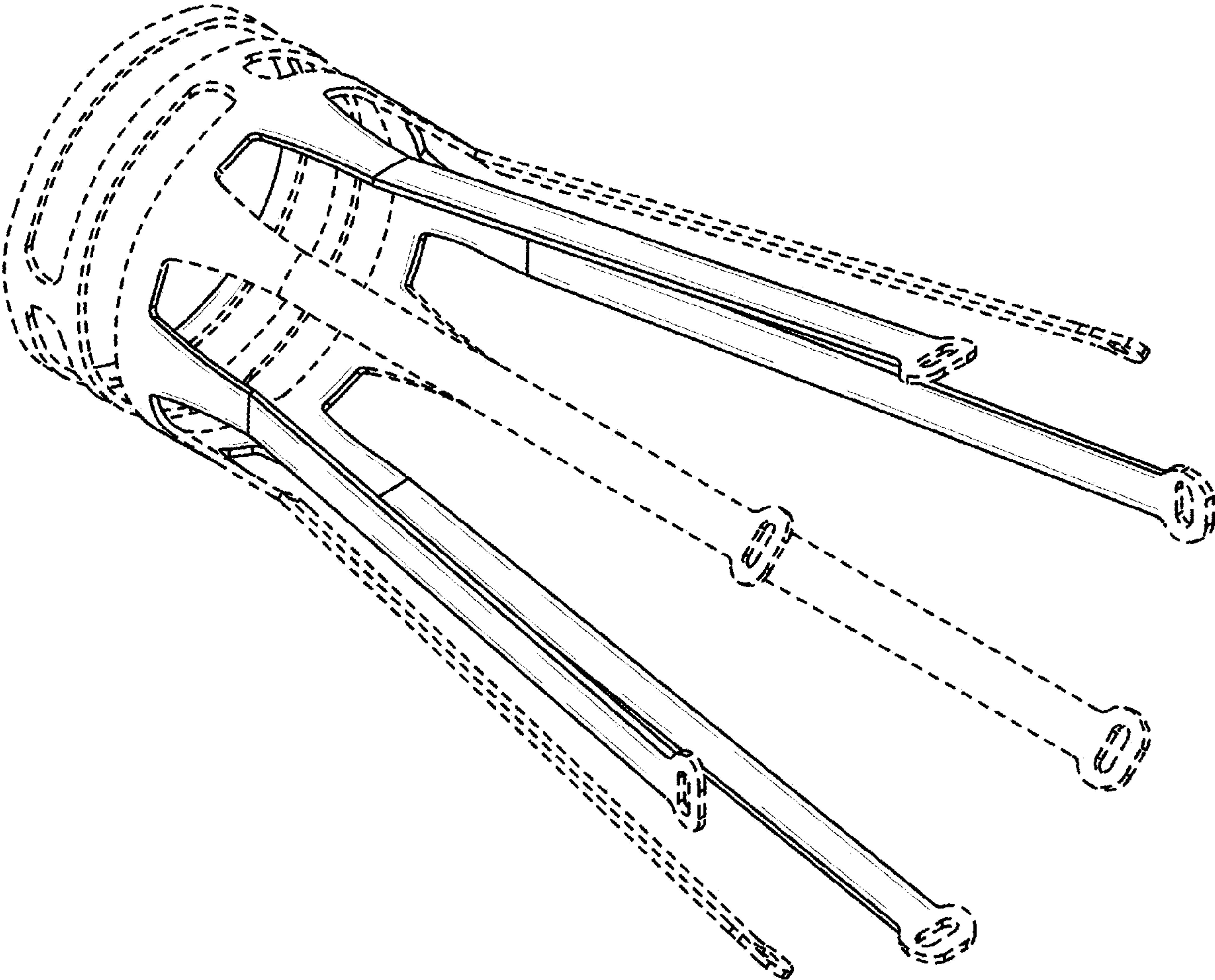


FIG. 1



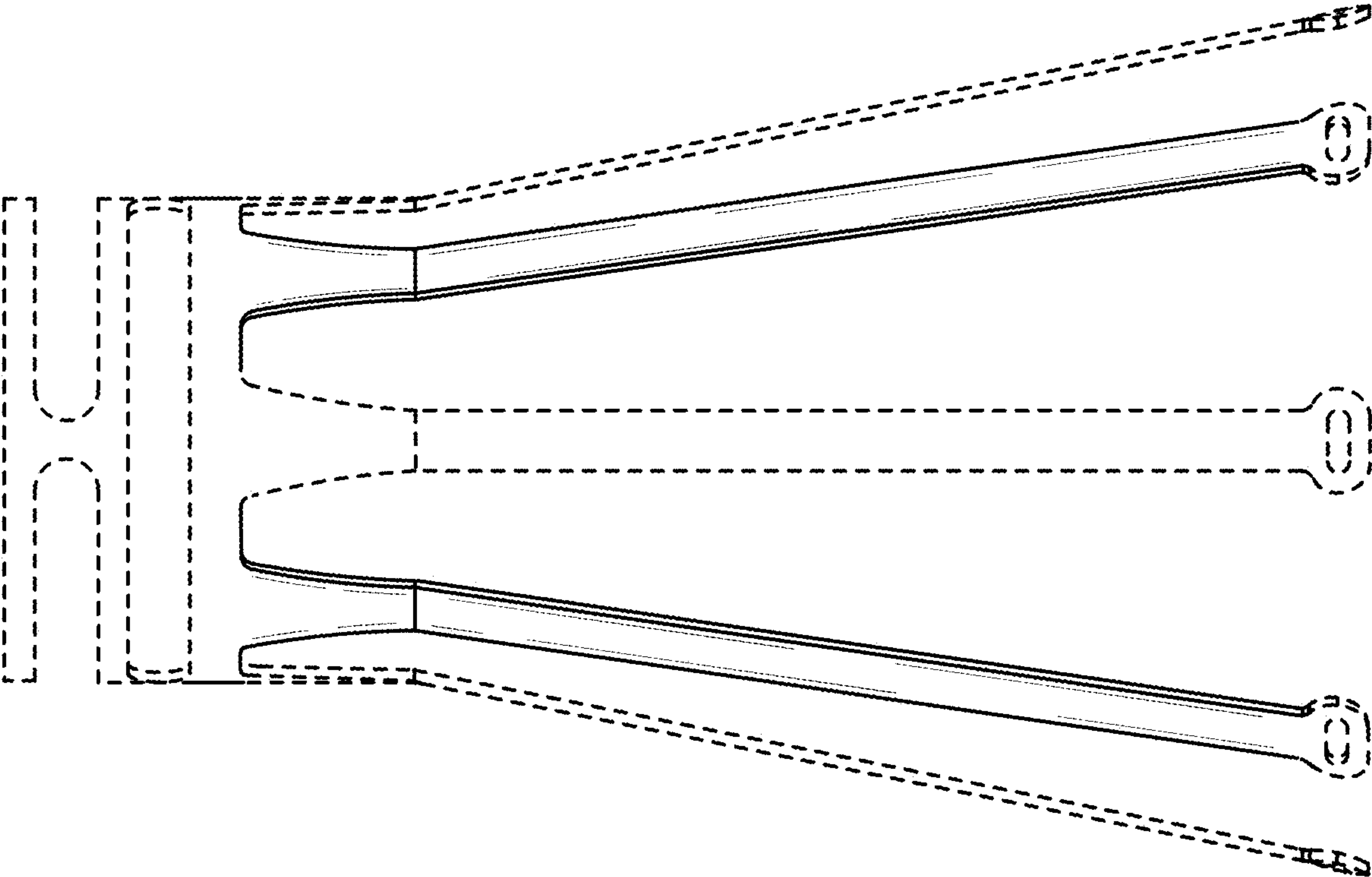


FIG. 2

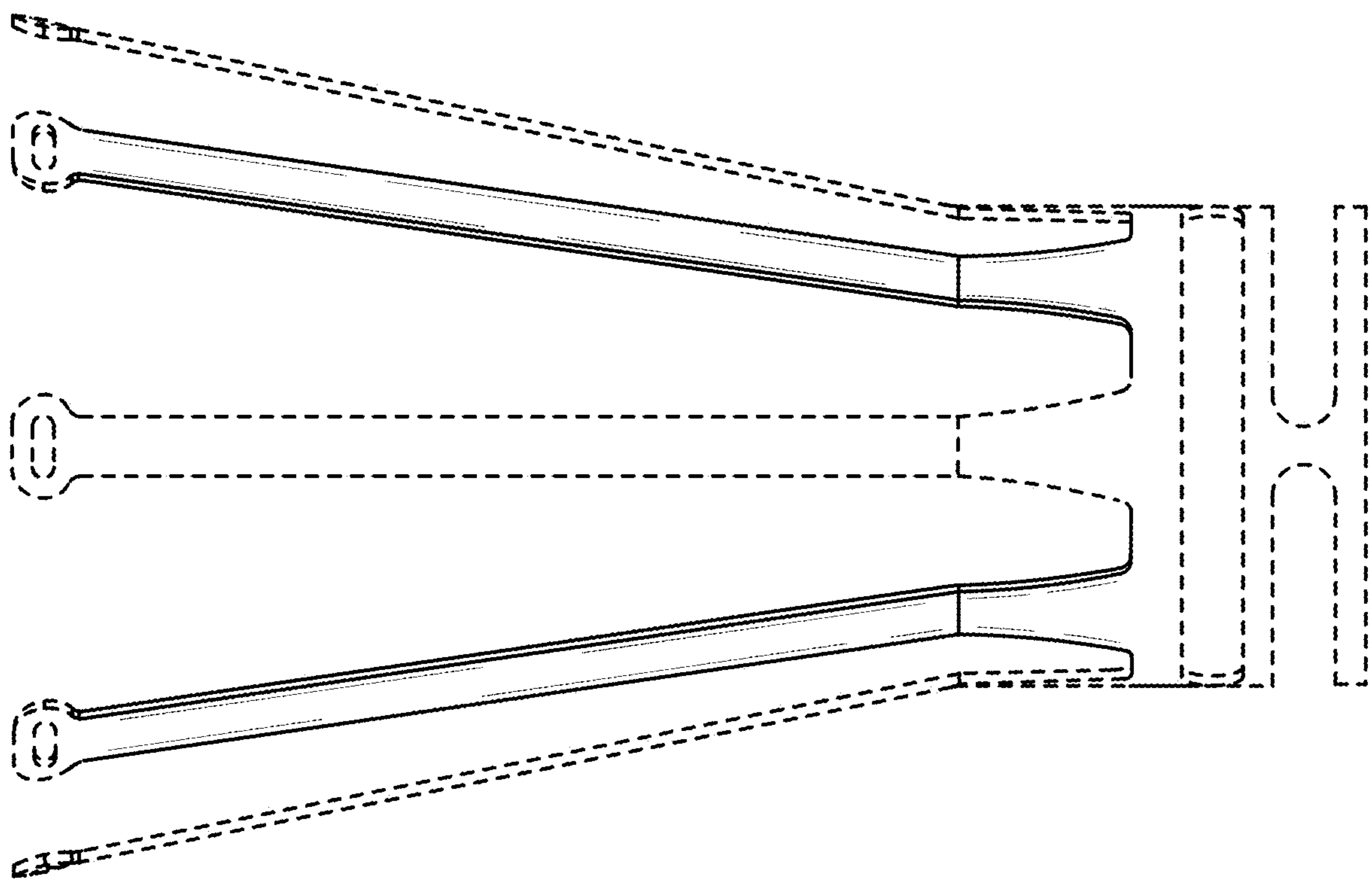


FIG. 3

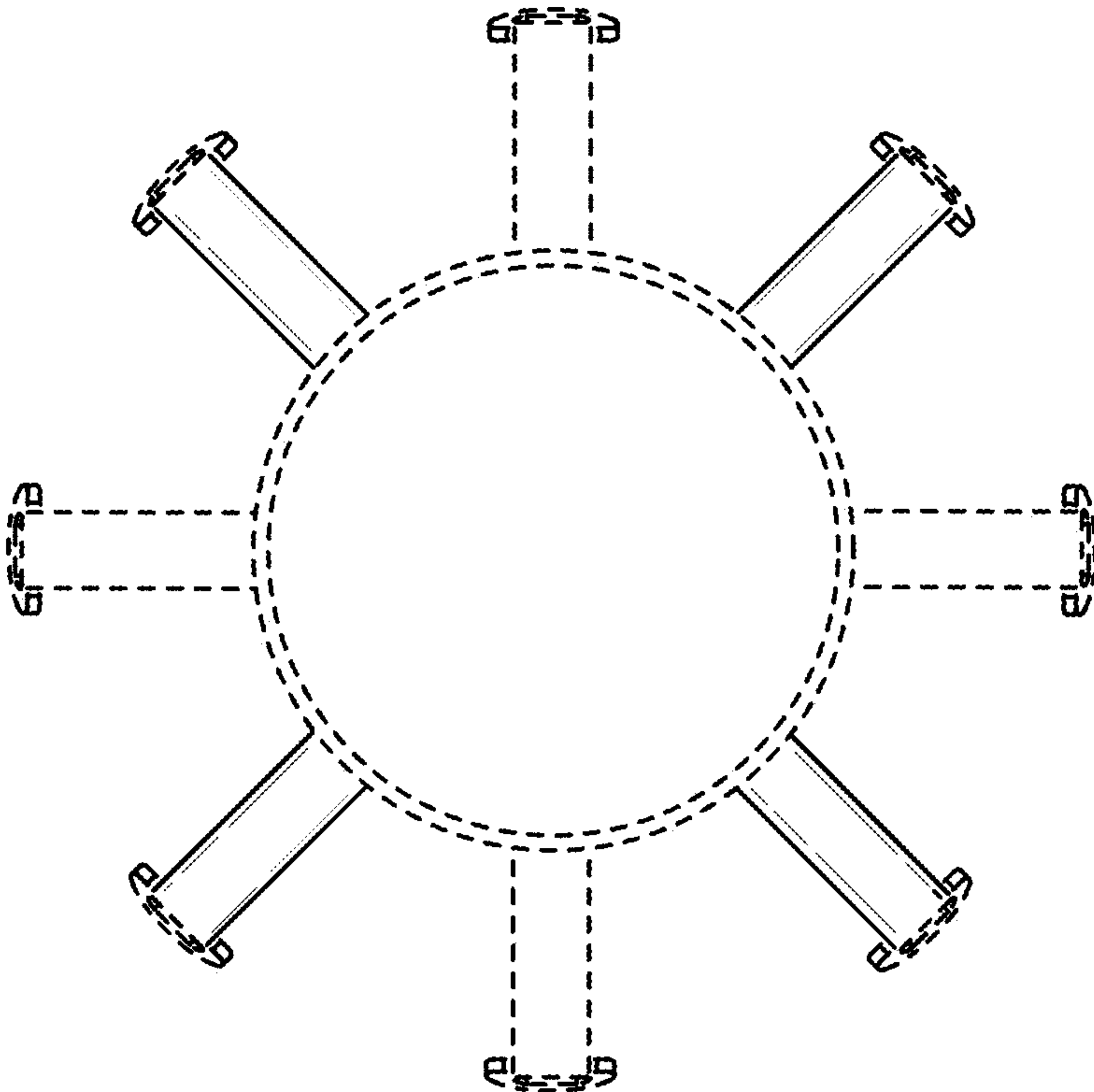


FIG. 4

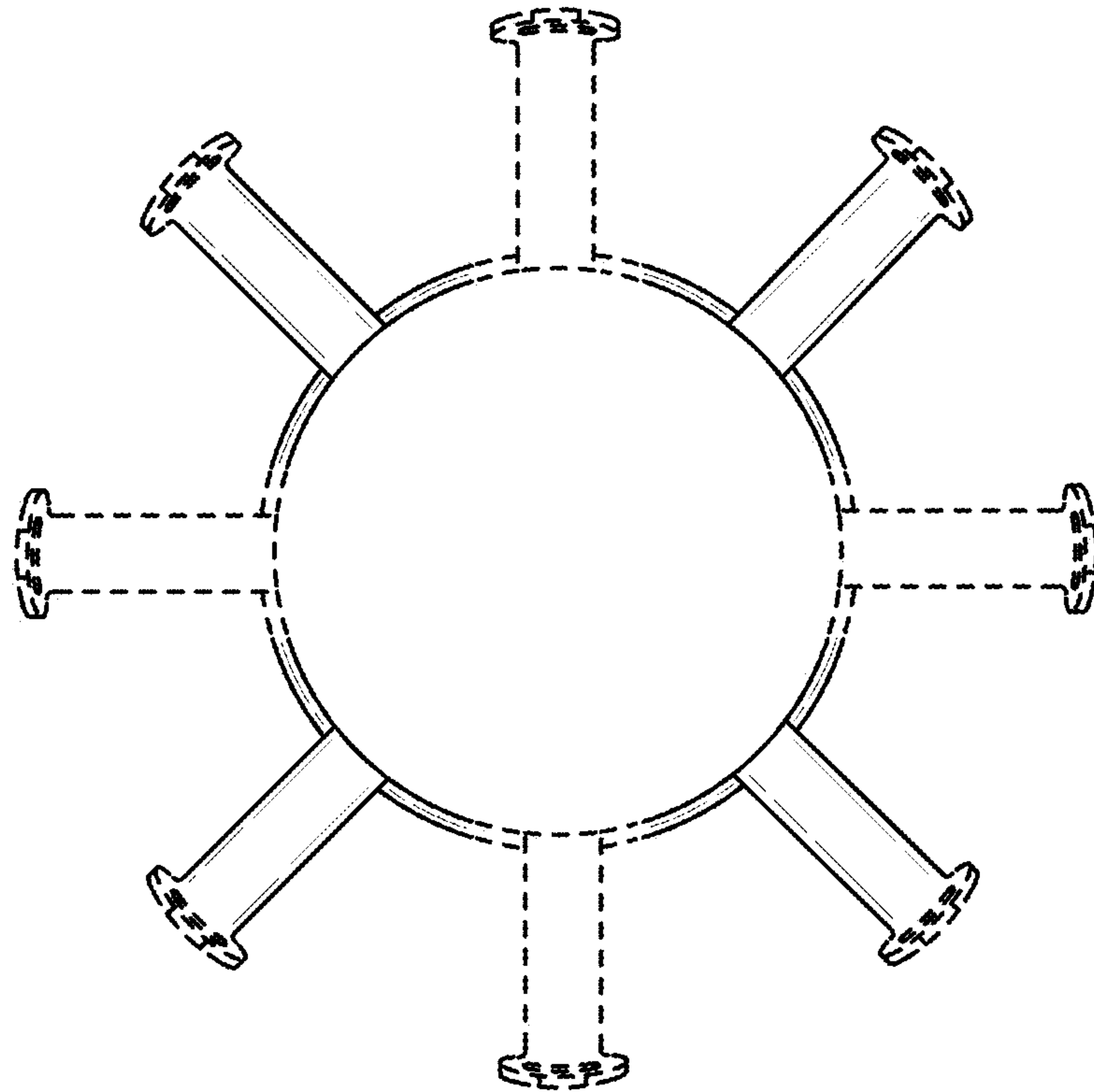


FIG. 5