



US00D972722S

(12) **United States Design Patent** (10) **Patent No.:** **US D972,722 S**
Gray (45) **Date of Patent:** **** Dec. 13, 2022**

(54) **SLIDE CLAMP**

OTHER PUBLICATIONS

(71) Applicant: **DEKA Products Limited Partnership**,
Manchester, NH (US)

U.S. Appl. No. 29/651,489, filed Aug. 16, 2018, Application Pub-
lication USD0917045S.

(Continued)

(72) Inventor: **Larry B. Gray**, Merrimack, NH (US)

Primary Examiner — Nathan M Johnston

(73) Assignee: **DEKA Products Limited Partnership**,
Manchester, NH (US)

(74) *Attorney, Agent, or Firm* — James D. Wyninegar, Jr.

(**) Term: **15 Years**

(57) **CLAIM**

(21) Appl. No.: **29/817,071**

The ornamental design for a slide clamp, as shown and
described.

(22) Filed: **Nov. 29, 2021**

Related U.S. Application Data

DESCRIPTION

(62) Division of application No. 29/774,892, filed on Mar.
19, 2021, now Pat. No. Des. 937,413, which is a
(Continued)

(51) **LOC (13) Cl.** **24-02**

(52) **U.S. Cl.**
USPC **D24/129; D24/143**

(58) **Field of Classification Search**
USPC D8/71-74, 394-399, 59; 248/63, 72,
248/74.1, 689, 124.2; 81/487, 385, 386,
(Continued)

FIG. 1 is a front, top, and right-side perspective view of the
slide clamp, which may be used to occlude a fluid line within
the slot, showing our new design;
FIG. 2 is a front elevation view thereof;
FIG. 3 is a back elevational view thereof;
FIG. 4 is a right-side elevational view thereof;
FIG. 5 is a left-side elevational view thereof;
FIG. 6 is a top plan view thereof;
FIG. 7 is a bottom plan view thereof;
FIG. 8 is a front, top, and right-side perspective view of
another embodiment of a slide clamp, showing our new
design;
FIG. 9 is a front elevation view thereof;
FIG. 10 is a back elevational view thereof;
FIG. 11 is a right-side elevational view thereof;
FIG. 12 is a left-side elevational view thereof;
FIG. 13 is a top plan view thereof; and,
FIG. 14 is a bottom plan view thereof.

The ornamental design which is claimed is shown in solid
lines in the drawings. The broken lines show portions of the
slide clamp that form no part of the claimed design.

(56) **References Cited**

U.S. PATENT DOCUMENTS

2,245,774 A 6/1941 Gregorek
4,248,401 A * 2/1981 Mittleman A61M 39/287
24/130

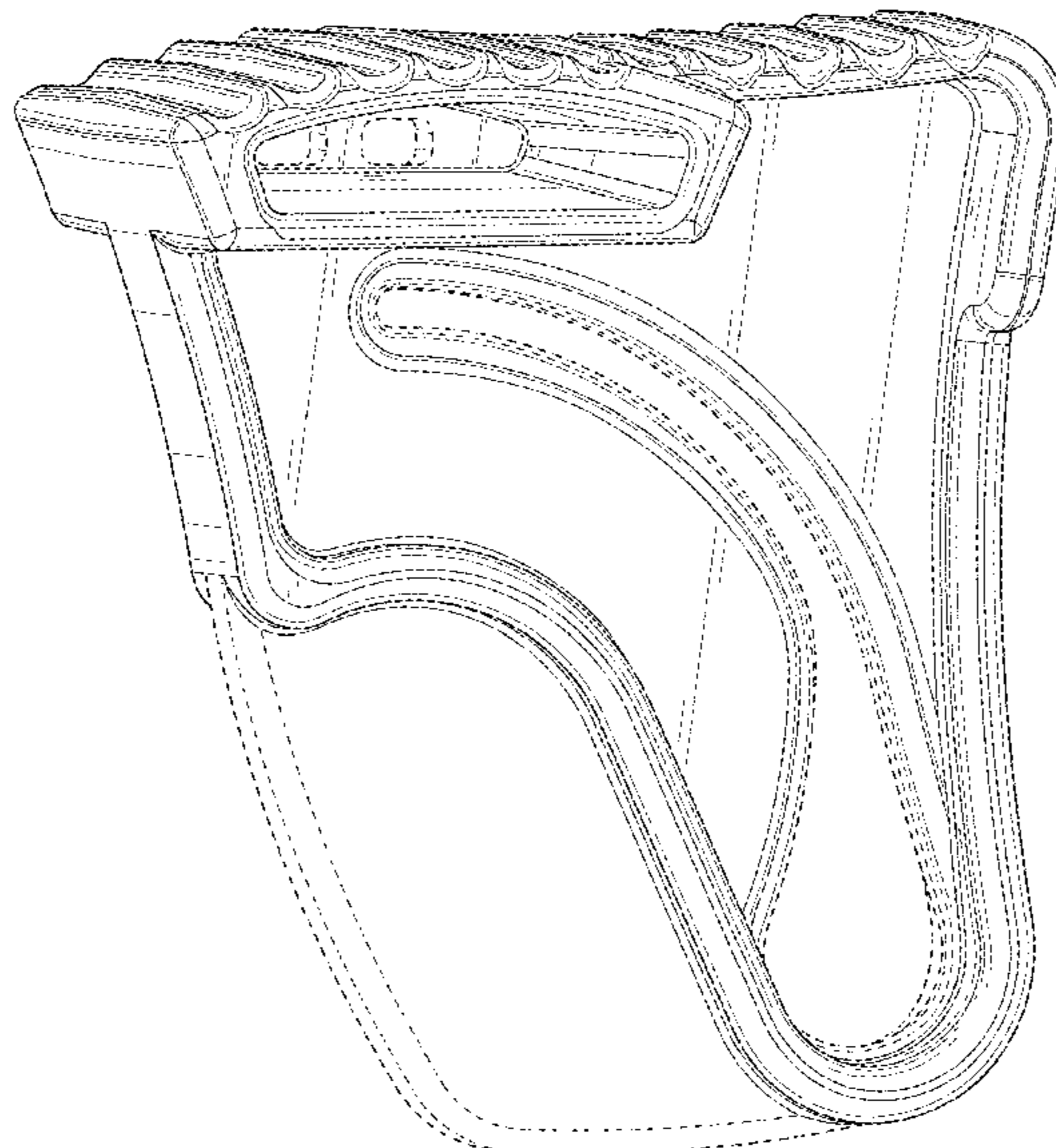
(Continued)

FOREIGN PATENT DOCUMENTS

EP 1778338 B1 11/2011
WO WO2013095459 A9 6/2013

(Continued)

1 Claim, 14 Drawing Sheets



Related U.S. Application Data

division of application No. 29/651,489, filed on Aug. 16, 2018, now Pat. No. Des. 917,045.

(58) **Field of Classification Search**

USPC 81/388–390; 269/3, 4, 6, 143, 165, 240, 269/243, 246–249, 254 R, 147–149; 29/256, 257, 276; 408/103, 104–109; D24/128, 133, 143, 129, 135
CPC A61M 39/287; A61M 39/28; A61M 39/00; Y10T 24/44906; Y10T 24/3918

See application file for complete search history.

(56) **References Cited**

U.S. PATENT DOCUMENTS

4,307,869	A *	12/1981	Mittleman	A61M 39/287 128/205.17	D756,386	S	5/2016	Kendler et al.
4,434,963	A *	3/1984	Russell	A61M 39/287 251/7	D758,399	S	6/2016	Kendler et al.
4,714,463	A	12/1987	Archibald et al.		D760,288	S	6/2016	Kendler et al.
5,026,019	A	6/1991	Biekart et al.		D760,289	S	6/2016	Kendler et al.
5,290,239	A	3/1994	Classey et al.		9,364,394	B2	6/2016	Demers et al.
5,437,635	A	8/1995	Fields et al.		9,372,486	B2	6/2016	Peret et al.
5,437,642	A	8/1995	Thill et al.		9,377,015	B2	6/2016	Traversaz et al.
5,480,386	A	1/1996	Brohy et al.		D760,782	S	7/2016	Kendler et al.
5,518,378	A	5/1996	Neftel et al.		D760,888	S	7/2016	Gill et al.
5,741,125	A	4/1998	Neftel et al.		9,400,873	B2	7/2016	Kamen et al.
5,827,262	A	10/1998	Neftel et al.		9,408,966	B2	8/2016	Kamen
5,853,398	A	12/1998	Lal et al.		D767,756	S	9/2016	Sabin
5,968,014	A	10/1999	Neftel et al.		9,435,455	B2	9/2016	Peret et al.
6,117,115	A	9/2000	Hill et al.		D768,716	S	10/2016	Kendler et al.
6,261,262	B1	7/2001	Briggs et al.		9,465,919	B2	10/2016	Kamen et al.
6,364,279	B1	4/2002	Neftel et al.		9,488,200	B2	11/2016	Kamen et al.
6,776,152	B2	8/2004	Gray et al.		D774,645	S	12/2016	Gill et al.
6,840,492	B1	1/2005	Boyne-Aitken		9,518,958	B2	12/2016	Wilt et al.
7,124,996	B2	10/2006	Clarke et al.		9,636,455	B2	5/2017	Kamen et al.
D556,940	S	12/2007	Gajewski et al.		9,649,436	B2	5/2017	Capone et al.
7,303,175	B2	12/2007	Smith et al.		D789,516	S	6/2017	Gill et al.
7,329,248	B2	2/2008	Raulerson et al.		9,675,756	B2	6/2017	Kamen et al.
7,350,761	B1	4/2008	Stuart et al.		9,677,555	B2	6/2017	Kamen et al.
7,419,133	B2	9/2008	Clarke et al.		9,687,417	B2	6/2017	Demers et al.
7,530,968	B2	5/2009	Gonnelli et al.		D792,963	S	7/2017	Gill
7,648,627	B2	1/2010	Beden et al.		9,700,672	B2	7/2017	Capone et al.
7,806,887	B2	10/2010	Raulerson et al.		D795,424	S	8/2017	Sloss
7,934,912	B2	5/2011	Voltenburg, Jr. et al.		D795,805	S	8/2017	Gray et al.
8,062,008	B2	11/2011	Voltenburg, Jr. et al.		9,719,964	B2	8/2017	Blumberg, Jr.
8,083,503	B2	12/2011	Voltenburg, Jr. et al.		9,724,465	B2	8/2017	Peret et al.
8,109,898	B2	2/2012	Wolff		9,724,466	B2	8/2017	Peret et al.
8,142,653	B2	3/2012	Beden et al.		9,724,467	B2	8/2017	Peret et al.
8,257,066	B2	9/2012	Kasai et al.		9,730,731	B2	8/2017	Langenfeld et al.
8,328,763	B2	12/2012	Traversaz		9,744,300	B2	8/2017	Kamen et al.
8,361,053	B2	1/2013	Gonnelli et al.		9,746,093	B2	8/2017	Peret et al.
8,366,921	B2	2/2013	Beden et al.		9,746,094	B2	8/2017	Peret et al.
8,377,293	B2	2/2013	Beden et al.		9,759,343	B2	9/2017	Peret et al.
8,435,408	B2	5/2013	Beden et al.		9,759,369	B2	9/2017	Gray et al.
8,469,933	B2	6/2013	Zhang et al.		9,772,044	B2	9/2017	Peret et al.
8,679,075	B2	3/2014	Lurvey et al.		D799,025	S	10/2017	Johnson et al.
8,721,883	B2	5/2014	Lauer		D801,519	S	10/2017	Sabin et al.
8,821,443	B2	9/2014	Levesque et al.		9,789,247	B2	10/2017	Kamen et al.
9,017,297	B2	4/2015	Travis et al.		D802,118	S	11/2017	Peret et al.
D728,779	S	5/2015	Sabin et al.		D803,386	S	11/2017	Sabin et al.
9,028,456	B2	5/2015	Kasai et al.		D803,387	S	11/2017	Bodwell et al.
D735,319	S	7/2015	Sabin et al.		D804,017	S	11/2017	Sabin
D736,370	S	8/2015	Sabin et al.		9,808,572	B2	11/2017	Kamen et al.
9,101,709	B2	8/2015	Beden et al.		D805,183	S	12/2017	Sabin et al.
9,151,646	B2	10/2015	Kamen et al.		9,856,990	B2	1/2018	Peret et al.
D745,661	S	12/2015	Collins et al.		D813,376	S	3/2018	Peret et al.
D749,206	S	2/2016	Johnson et al.		D814,021	S	3/2018	Sabin
D751,689	S	3/2016	Peret et al.		D815,730	S	4/2018	Collins et al.
D751,690	S	3/2016	Peret et al.		D816,685	S	5/2018	Kendler et al.
D752,209	S	3/2016	Peret et al.		D816,829	S	5/2018	Peret et al.
9,272,129	B2	3/2016	Howlett et al.		D817,479	S	5/2018	Sabin et al.
9,283,370	B2	3/2016	Travis et al.		D817,480	S	5/2018	Sabin et al.
9,295,778	B2	3/2016	Kamen et al.		9,968,730	B2	5/2018	Blumberg, Jr. et al.
D754,065	S	4/2016	Gray et al.		9,976,665	B2	5/2018	Peret et al.
					10,044,791	B2	8/2018	Kamen et al.
					10,082,241	B2	9/2018	Janway et al.
					10,088,346	B2	10/2018	Kane et al.
					10,108,785	B2	10/2018	Kamen et al.
					10,113,660	B2	10/2018	Peret et al.
					10,126,267	B2	11/2018	Blumberg, Jr.
					10,185,812	B2	1/2019	Kamen et al.
					10,202,970	B2	2/2019	Kamen et al.
					10,202,971	B2	2/2019	Kamen et al.
					10,220,135	B2	3/2019	Kamen et al.
					10,228,683	B2	3/2019	Peret et al.
					10,242,159	B2	3/2019	Kamen et al.
					10,245,374	B2	4/2019	Kamen et al.
					10,265,463	B2	4/2019	Biasi et al.
					10,288,057	B2	5/2019	Kamen et al.
					10,316,834	B2	6/2019	Kamen et al.
					D854,145	S	7/2019	Collins
					10,380,321	B2	8/2019	Kamen et al.
					10,391,241	B2	8/2019	Desch et al.
					D860,437	S	9/2019	Collins
					10,426,517	B2	10/2019	Langenfeld et al.

(56)

References Cited

U.S. PATENT DOCUMENTS

			2013/0131608	A1	5/2013	Davis et al.	
			2013/0177455	A1	7/2013	Kamen	
			2013/0177476	A1*	7/2013	Hlavinka	F16L 3/12 422/28
10,436,342	B2	10/2019	Peret et al.	2013/0182381	A1	7/2013	Gray
10,453,157	B2	10/2019	Kamen et al.	2013/0184676	A1	7/2013	Kamen
10,468,132	B2	11/2019	Kamen et al.	2013/0188040	A1	7/2013	Kamen
10,471,402	B2	11/2019	Demers et al.	2013/0191513	A1	7/2013	Kamen
10,478,261	B2	11/2019	Demers et al.	2013/0197693	A1	8/2013	Kamen
10,488,848	B2	11/2019	Peret et al.	2013/0204188	A1	8/2013	Kamen
10,507,319	B2	12/2019	Haury et al.	2013/0253442	A1	9/2013	Travis et al.
10,561,787	B2	2/2020	Kamen et al.	2013/0272773	A1	10/2013	Kamen
10,563,681	B2	2/2020	Kamen et al.	2013/0281965	A1	10/2013	Kamen
10,571,070	B2	2/2020	Gray et al.	2013/0310990	A1	11/2013	Peret et al.
10,655,779	B2	5/2020	Janway et al.	2013/0317753	A1	11/2013	Kamen
10,670,182	B2	6/2020	Janway et al.	2013/0317837	A1	11/2013	Ballantyne
10,718,445	B2	7/2020	Yoo	2013/0336814	A1	12/2013	Kamen
10,722,645	B2	7/2020	Kamen et al.	2013/0339049	A1	12/2013	Blumberg, Jr.
10,739,759	B2	8/2020	Peret et al.	2013/0346108	A1	12/2013	Kamen
10,753,353	B2	8/2020	Kamen et al.	2014/0165703	A1	6/2014	Wilt
10,761,061	B2	9/2020	Wilt et al.	2014/0180711	A1	6/2014	Kamen
10,839,953	B2	11/2020	Kamen et al.	2014/0188076	A1	7/2014	Kamen
10,844,970	B2	11/2020	Peret et al.	2014/0188516	A1	7/2014	Kamen
D905,848	S	12/2020	Sloss et al.	2014/0195639	A1	7/2014	Kamen
10,857,293	B2	12/2020	Kamen et al.	2014/0227021	A1	8/2014	Kamen
10,872,685	B2	12/2020	Blumberg, Jr. et al.	2014/0234144	A1	8/2014	Traversaz et al.
10,876,868	B2	12/2020	Kane et al.	2014/0318639	A1	10/2014	Peret
10,894,638	B2	1/2021	Peret et al.	2014/0343492	A1	11/2014	Kamen
10,911,515	B2	2/2021	Biasi et al.	2015/0002667	A1	1/2015	Peret et al.
D914,195	S	3/2021	Gray et al.	2015/0002668	A1	1/2015	Peret et al.
D914,196	S	3/2021	Gray et al.	2015/0002677	A1	1/2015	Peret et al.
D914,197	S	3/2021	Gray et al.	2015/0033823	A1	2/2015	Blumberg, Jr.
D917,045	S	4/2021	Gray	2015/0040987	A1*	2/2015	Reichert A61M 5/16813 137/1
D918,396	S	5/2021	Gray et al.				
10,994,074	B2	5/2021	Blumberg, Jr. et al.	2015/0154364	A1	6/2015	Biasi et al.
11,024,409	B2	6/2021	Kamen et al.	2015/0157791	A1	6/2015	Desch et al.
11,024,419	B2	6/2021	Kamen et al.	2015/0165105	A1	6/2015	Beden et al.
11,109,934	B2	9/2021	Demers et al.	2015/0238228	A1	8/2015	Langenfeld et al.
11,129,933	B2	9/2021	Kamen et al.	2015/0257974	A1	9/2015	Demers et al.
D937,413	S	11/2021	Gray	2015/0314083	A1	11/2015	Blumberg, Jr. et al.
11,164,672	B2	11/2021	Kamen et al.	2015/0332009	A1	11/2015	Kane et al.
11,179,688	B2	11/2021	Demers et al.	2016/0000996	A1	1/2016	Faulhaber et al.
11,210,611	B2	12/2021	Kamen et al.	2016/0055397	A1	2/2016	Peret et al.
11,217,340	B2	1/2022	Desch et al.	2016/0055649	A1	2/2016	Peret et al.
11,227,687	B2	1/2022	Kamen et al.	2016/0061641	A1	3/2016	Peret et al.
D943,736	S	2/2022	Sloss et al.	2016/0063353	A1	3/2016	Peret et al.
11,244,745	B2	2/2022	Kamen et al.	2016/0073063	A1	3/2016	Peret et al.
11,295,846	B2	4/2022	Kamen et al.	2016/0084434	A1	3/2016	Janway et al.
11,328,803	B2	5/2022	Kamen et al.	2016/0097382	A1	4/2016	Kamen et al.
11,339,887	B2	5/2022	Peret et al.	2016/0131272	A1	5/2016	Yoo
11,339,918	B2	5/2022	Gray et al.	2016/0151560	A1	6/2016	Toro et al.
11,348,674	B2	5/2022	Kamen et al.	2016/0151561	A1	6/2016	Toro et al.
2004/0186445	A1	9/2004	Raulerson et al.	2016/0151562	A1	6/2016	Magers et al.
2005/0277890	A1*	12/2005	Stewart G16H 20/17 604/189	2016/0151567	A1	6/2016	Howlett et al.
				2016/0158437	A1	6/2016	Biasi et al.
2006/0011873	A1*	1/2006	Clarke F16K 7/066 251/4	2016/0179086	A1	6/2016	Peret et al.
				2016/0184510	A1	6/2016	Kamen et al.
2006/0129110	A1	6/2006	Smith et al.	2016/0203292	A1	7/2016	Kamen et al.
2006/0224128	A1*	10/2006	Lurvey A61M 5/14228 604/250	2016/0262977	A1	9/2016	Demers et al.
				2016/0319850	A1	11/2016	Kamen et al.
2007/0135794	A1	6/2007	Raulerson et al.	2016/0346056	A1	12/2016	Demers et al.
2009/0204075	A1*	8/2009	Simpson A61M 5/162 604/151	2016/0346484	A1	12/2016	Abal
				2016/0362234	A1	12/2016	Peret et al.
2009/0254034	A1	10/2009	Beck et al.	2017/0011202	A1	1/2017	Kamen et al.
2010/0040481	A1	2/2010	Wolff	2017/0045478	A1	2/2017	Wilt et al.
2011/0313789	A1	12/2011	Kamen et al.	2017/0136227	A1	5/2017	Davis et al.
2012/0004624	A1*	1/2012	Brown A61M 39/287 604/250	2017/0216516	A1	8/2017	Dale et al.
				2017/0224909	A1	8/2017	Kamen et al.
2012/0035581	A1*	2/2012	Travis A61M 39/28 604/500	2017/0259230	A1	9/2017	Demers et al.
				2017/0266378	A1	9/2017	Kamen et al.
				2017/0268497	A1	9/2017	Kamen et al.
2012/0061310	A1	3/2012	Beden et al.	2017/0284968	A1	10/2017	Blumberg, Jr.
2012/0156097	A1	6/2012	Beden et al.	2017/0296745	A1	10/2017	Kamen et al.
2012/0181225	A1	7/2012	Weis	2017/0303969	A1	10/2017	Langenfeld et al.
2012/0181226	A1	7/2012	Lauer	2017/0321841	A1	11/2017	Gray et al.
2012/0181231	A1	7/2012	Beden et al.	2017/0333623	A1	11/2017	Kamen et al.
2012/0185267	A1	7/2012	Kamen	2017/0335988	A1	11/2017	Peret et al.
2013/0118961	A1	5/2013	Beden et al.	2018/0038501	A1	2/2018	Peret et al.
2013/0118970	A1	5/2013	Beden et al.	2018/0066648	A1	3/2018	Kamen et al.

(56)

References Cited

U.S. PATENT DOCUMENTS

2018/0080605 A1 3/2018 Janway et al.
 2018/0106246 A1 4/2018 Kamen et al.
 2018/0128259 A1 5/2018 Kamen et al.
 2018/0187782 A1 7/2018 Slaby et al.
 2018/0221643 A1 8/2018 Hetchler et al.
 2018/0224012 A1 8/2018 Peret et al.
 2018/0228964 A1 8/2018 Blumberg, Jr. et al.
 2018/0252359 A1 9/2018 Janway et al.
 2018/0278676 A1 9/2018 Kamen et al.
 2019/0009018 A1 1/2019 Kamen et al.
 2019/0033104 A1 1/2019 Kane et al.
 2019/0041362 A1 2/2019 Blumberg, Jr.
 2019/0049029 A1 2/2019 Peret et al.
 2019/0134298 A1 5/2019 Kamen et al.
 2019/0139640 A1 5/2019 Kamen et al.
 2019/0154026 A1 5/2019 Kamen et al.
 2019/0170134 A1 6/2019 Kamen et al.
 2019/0175821 A1 6/2019 Kamen et al.
 2019/0179289 A1 6/2019 Peret et al.
 2019/0189272 A1 6/2019 Kamen et al.
 2019/0219047 A1 7/2019 Kamen et al.
 2019/0249657 A1 8/2019 Kamen et al.
 2019/0298913 A1 10/2019 Biasi et al.
 2019/0316948 A1 10/2019 Karol et al.
 2019/0328964 A1 10/2019 Desch et al.
 2019/0341146 A1 11/2019 Kamen et al.
 2019/0365421 A1 12/2019 Langenfeld et al.
 2020/0025305 A1 1/2020 Peret et al.
 2020/0051190 A1 2/2020 Kamen et al.
 2020/0054823 A1 2/2020 Baier et al.
 2020/0066388 A1 2/2020 Kamen et al.
 2020/0070113 A1 3/2020 Demers et al.
 2020/0078127 A1 3/2020 Demers et al.
 2020/0171241 A1 6/2020 Kamen et al.
 2020/0173469 A1 6/2020 Kamen et al.
 2020/0182400 A1 6/2020 Gray et al.
 2020/0278078 A1 9/2020 Janway et al.
 2020/0292127 A1 9/2020 Janway et al.
 2020/0347949 A1 11/2020 Yoo
 2020/0371497 A1 11/2020 Peret et al.
 2020/0386220 A1 12/2020 Kamen et al.
 2020/0393414 A1 12/2020 Wilt et al.

2021/0023296 A1 1/2021 Langenfeld et al.
 2021/0062929 A1 3/2021 Peret et al.
 2021/0065867 A1 3/2021 Kamen et al.
 2021/0085858 A1 3/2021 Kamen et al.
 2021/0098102 A1 4/2021 Blumberg, Jr. et al.
 2021/0116271 A1 4/2021 Kane et al.
 2021/0125719 A1 4/2021 Peret et al.
 2021/0252211 A1 8/2021 Shafferkoetter et al.
 2021/0287790 A1 9/2021 Kamen et al.
 2021/0304864 A1 9/2021 Kamen et al.
 2021/0308366 A1 10/2021 Kamen et al.
 2021/0365849 A1 11/2021 Kamen et al.
 2021/0378777 A1 12/2021 Demers et al.
 2022/0008649 A1 1/2022 Kamen et al.
 2022/0044796 A1 2/2022 Kamen et al.
 2022/0062541 A1 3/2022 Kamen et al.
 2022/0122002 A1 4/2022 Kamen et al.
 2022/0122710 A1 4/2022 Desch et al.
 2022/0130536 A1 4/2022 Kamen et al.
 2022/0143564 A1 5/2022 Demers et al.

FOREIGN PATENT DOCUMENTS

WO WO2013096713 A2 6/2013
 WO WO2013096718 A2 6/2013
 WO WO2013096722 A2 6/2013
 WO WO2013096909 A2 6/2013
 WO WO2013176770 A2 11/2013
 WO WO2013177357 A1 11/2013
 WO WO2014100557 A2 6/2014
 WO WO2014100571 A2 6/2014
 WO WO2014100658 A1 6/2014
 WO WO2014100687 A2 6/2014
 WO WO2014100736 A2 6/2014
 WO WO2014100744 A2 6/2014
 WO WO2014144557 A2 9/2014
 WO WO2015017275 A1 2/2015

OTHER PUBLICATIONS

U.S. Appl. No. 29/702,135, filed Aug. 16, 2019.
 U.S. Appl. No. 29/774,892, filed Mar. 19, 2021, Application Publication USD0937413S.

* cited by examiner

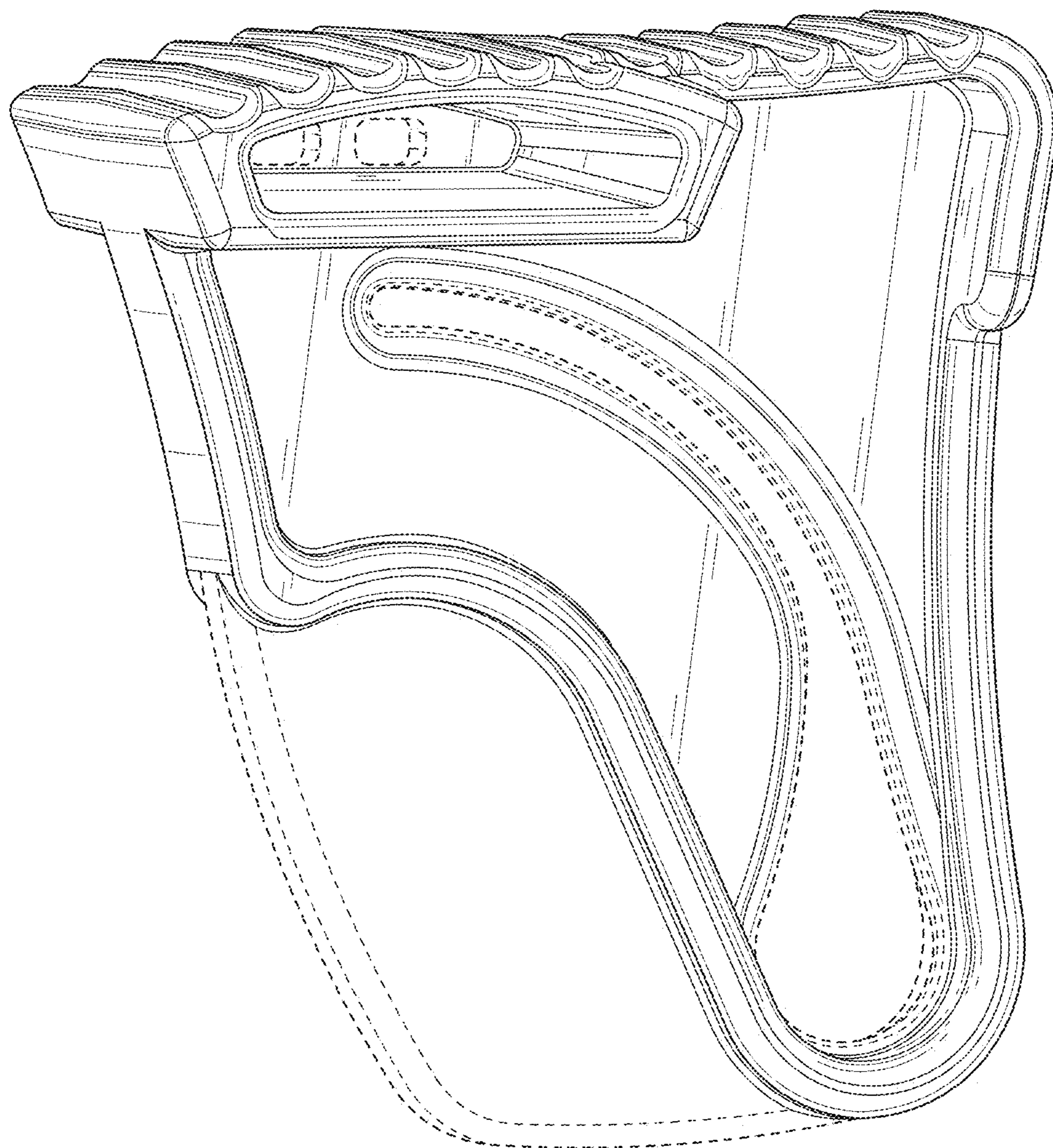


FIG. 1

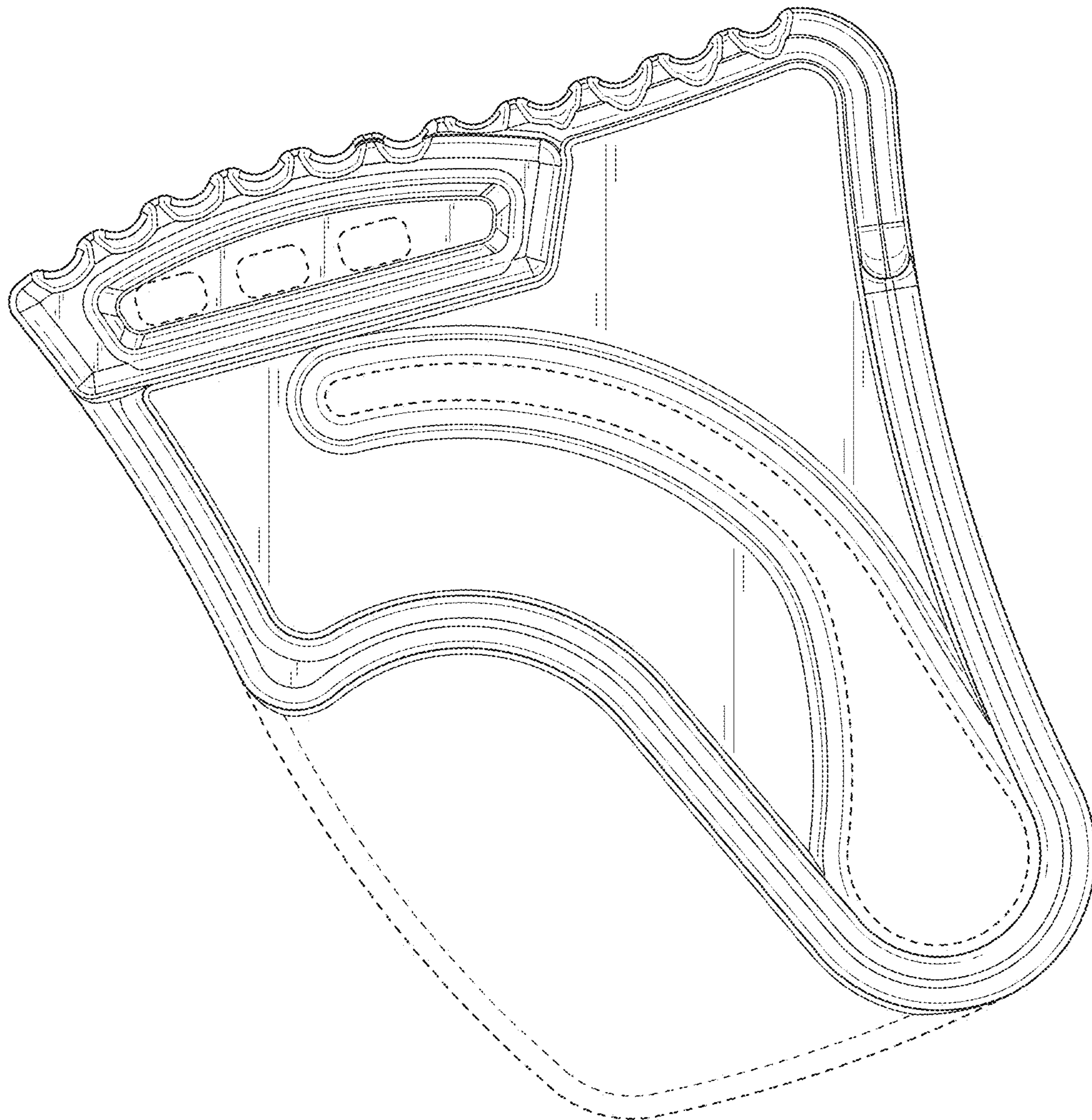


FIG. 2

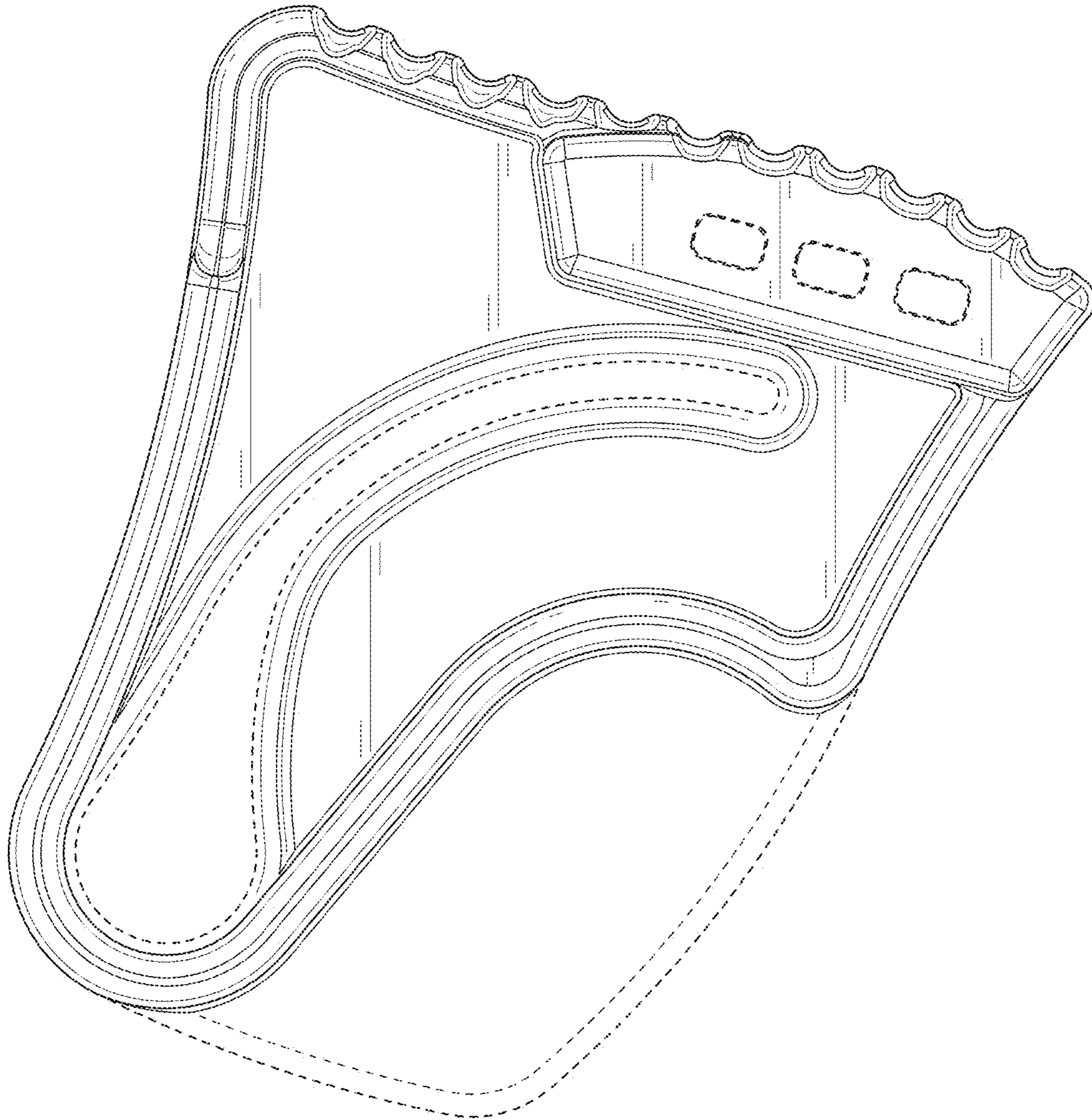


FIG. 3

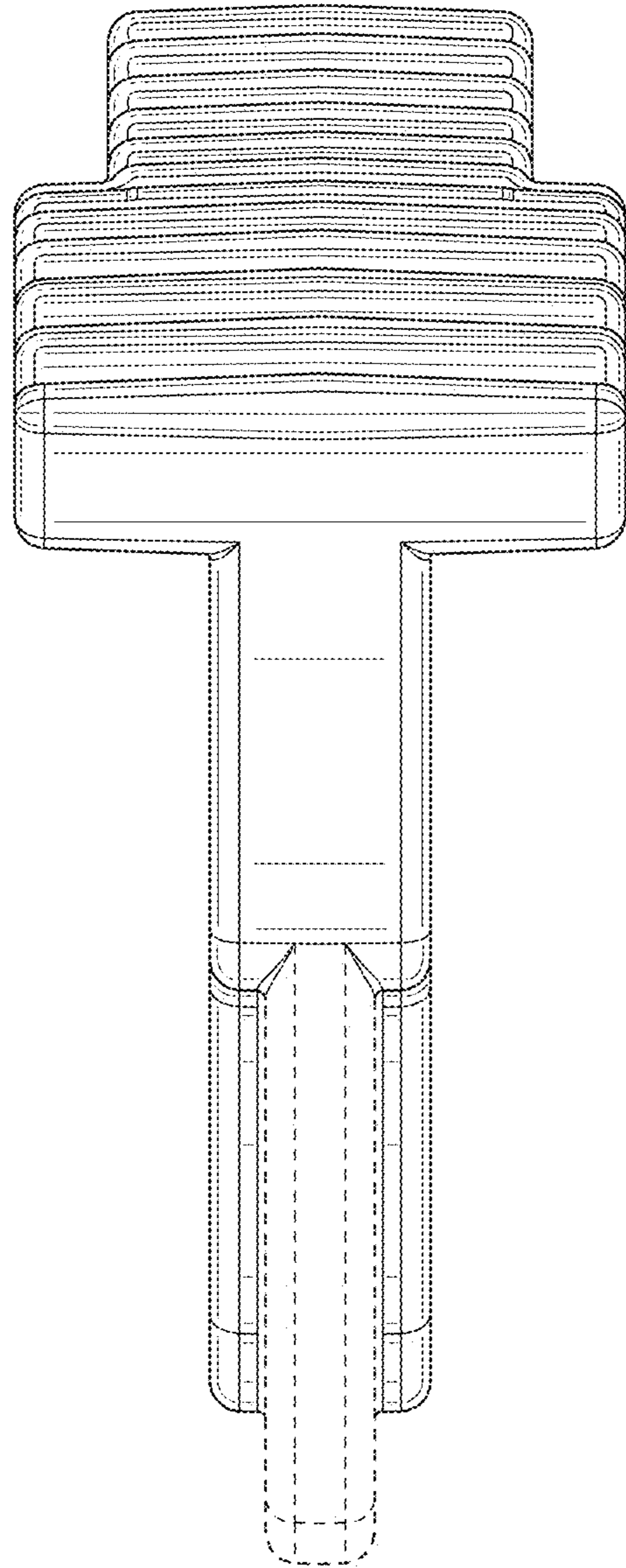


FIG. 4

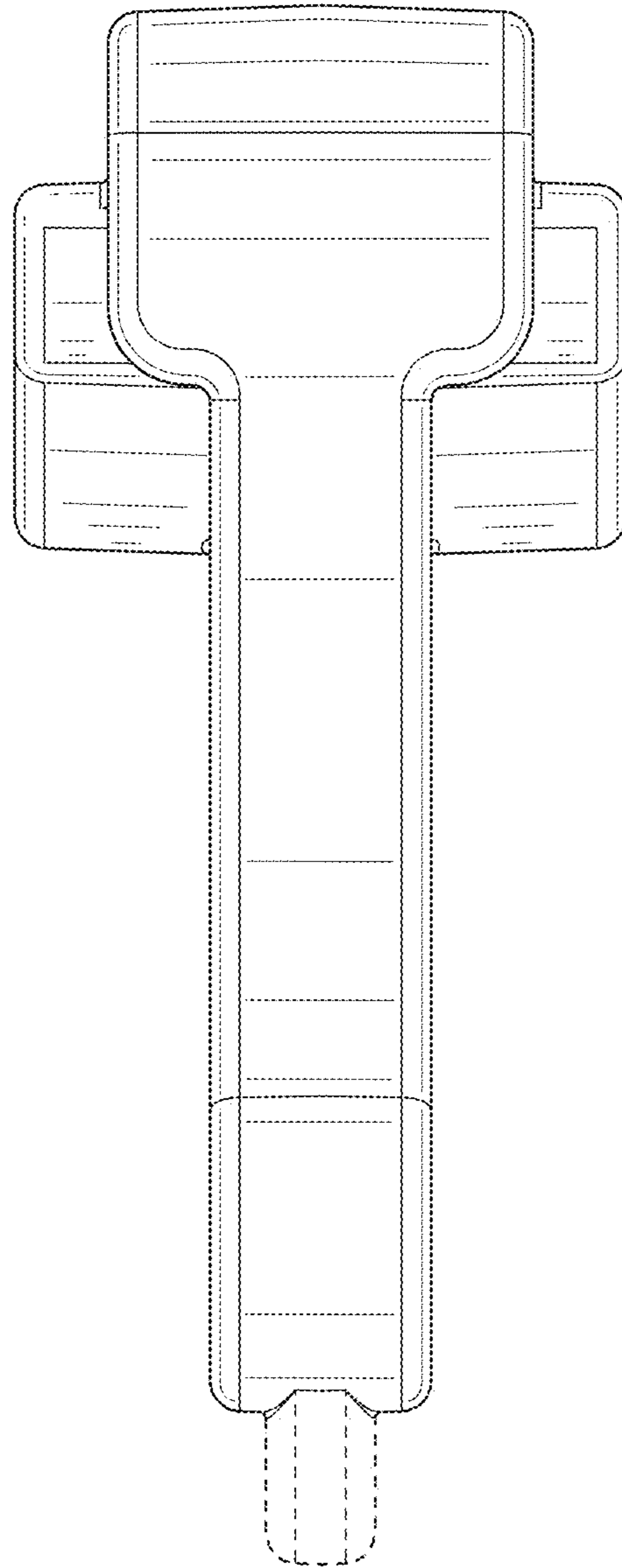


FIG. 5

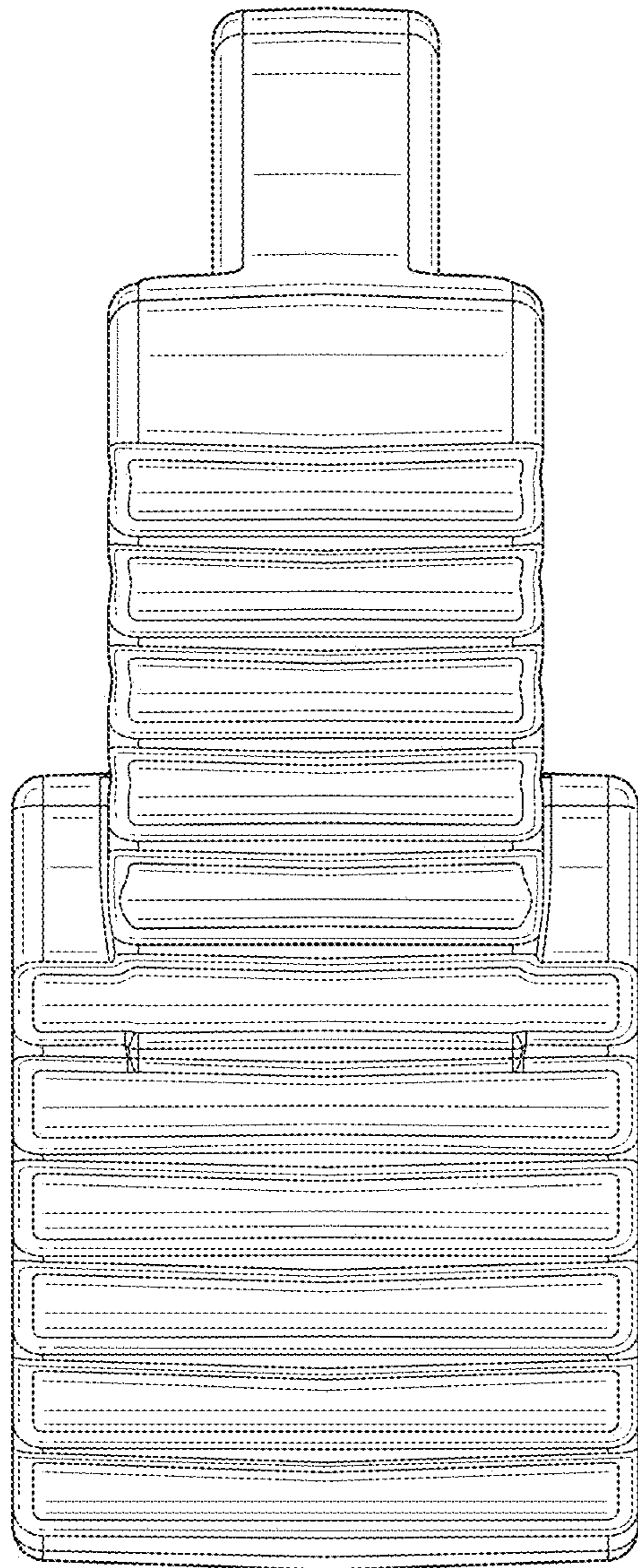


FIG. 6

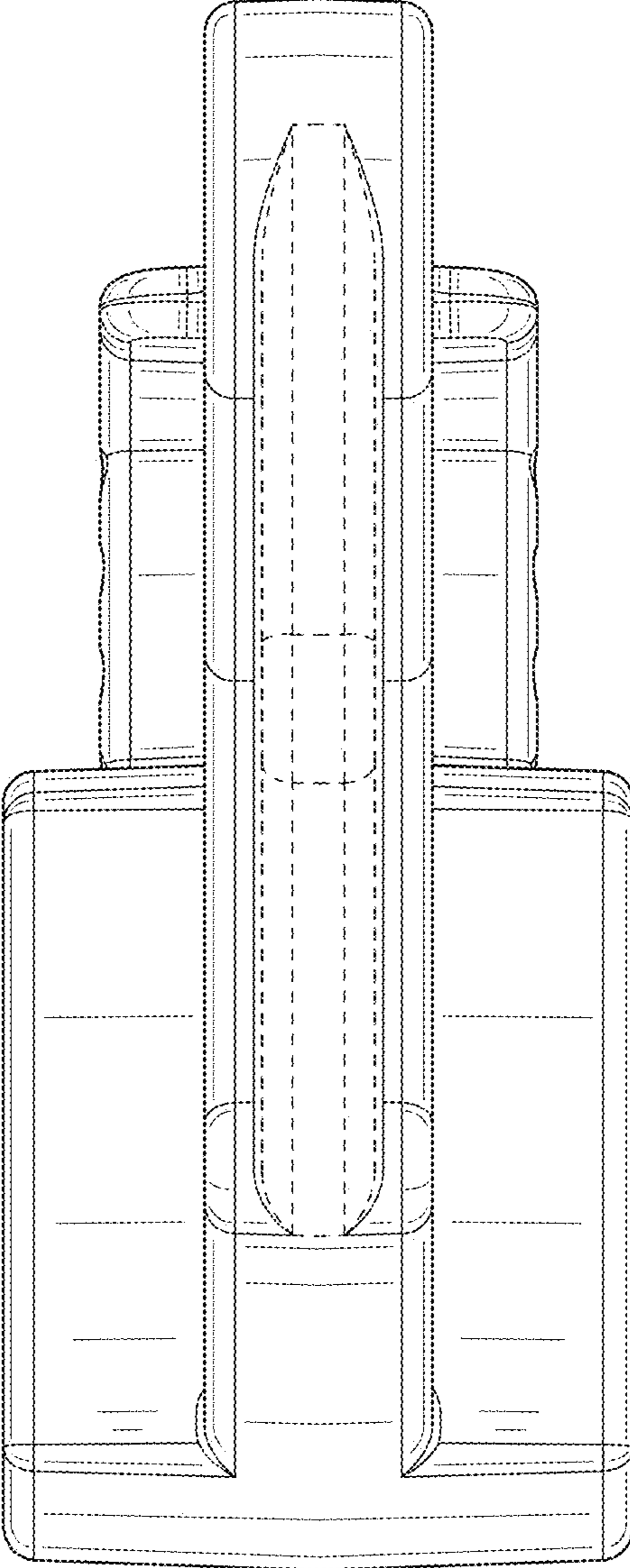


FIG. 7

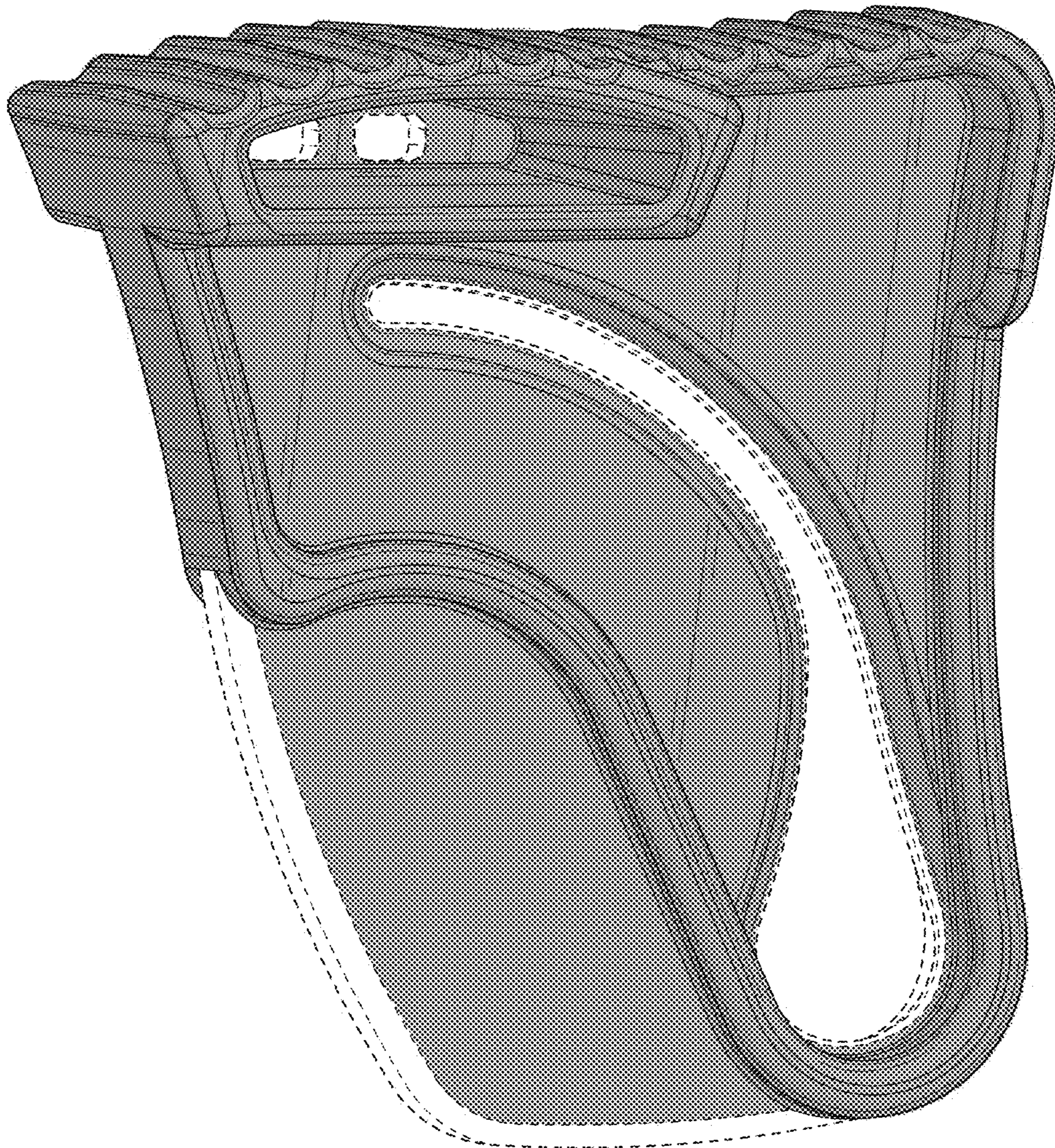


FIG. 8

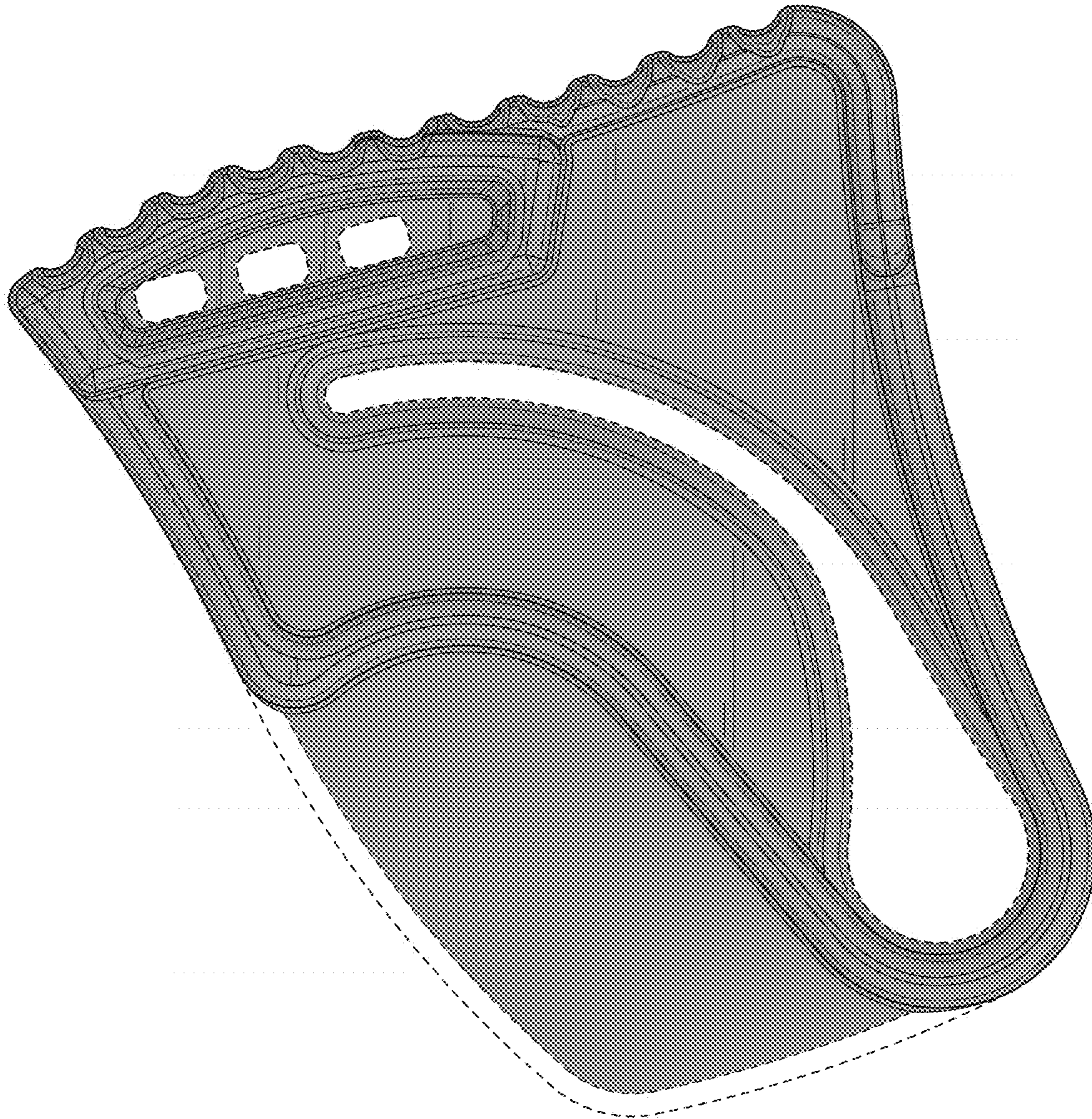


FIG. 9

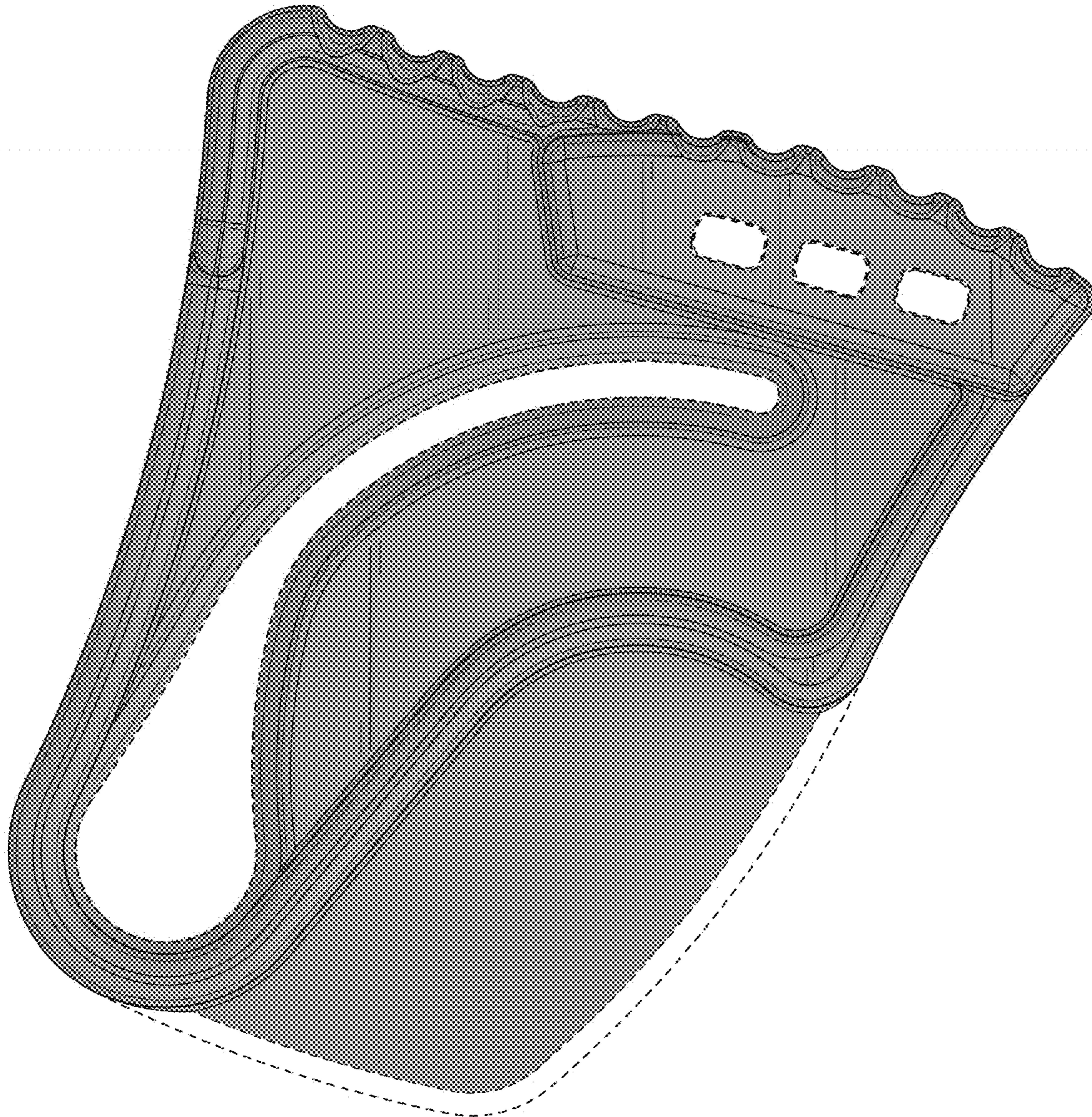


FIG. 10

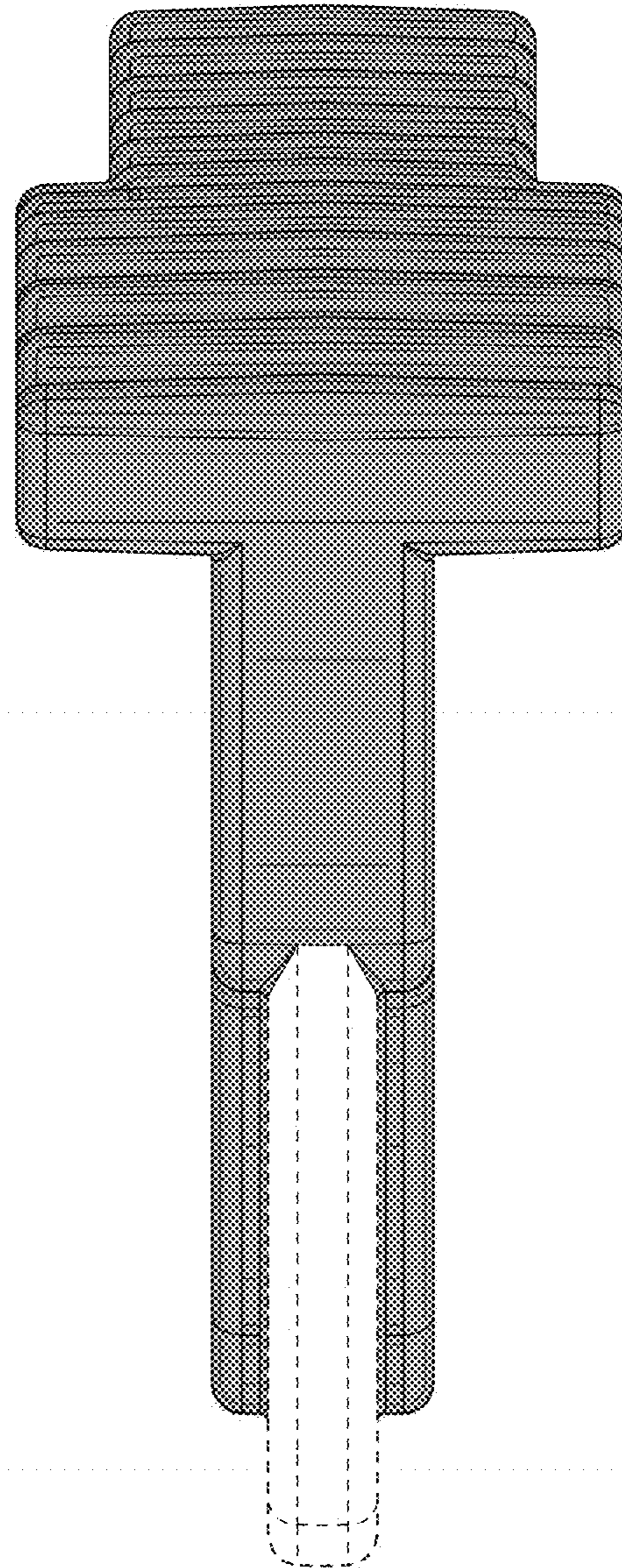


FIG. 11

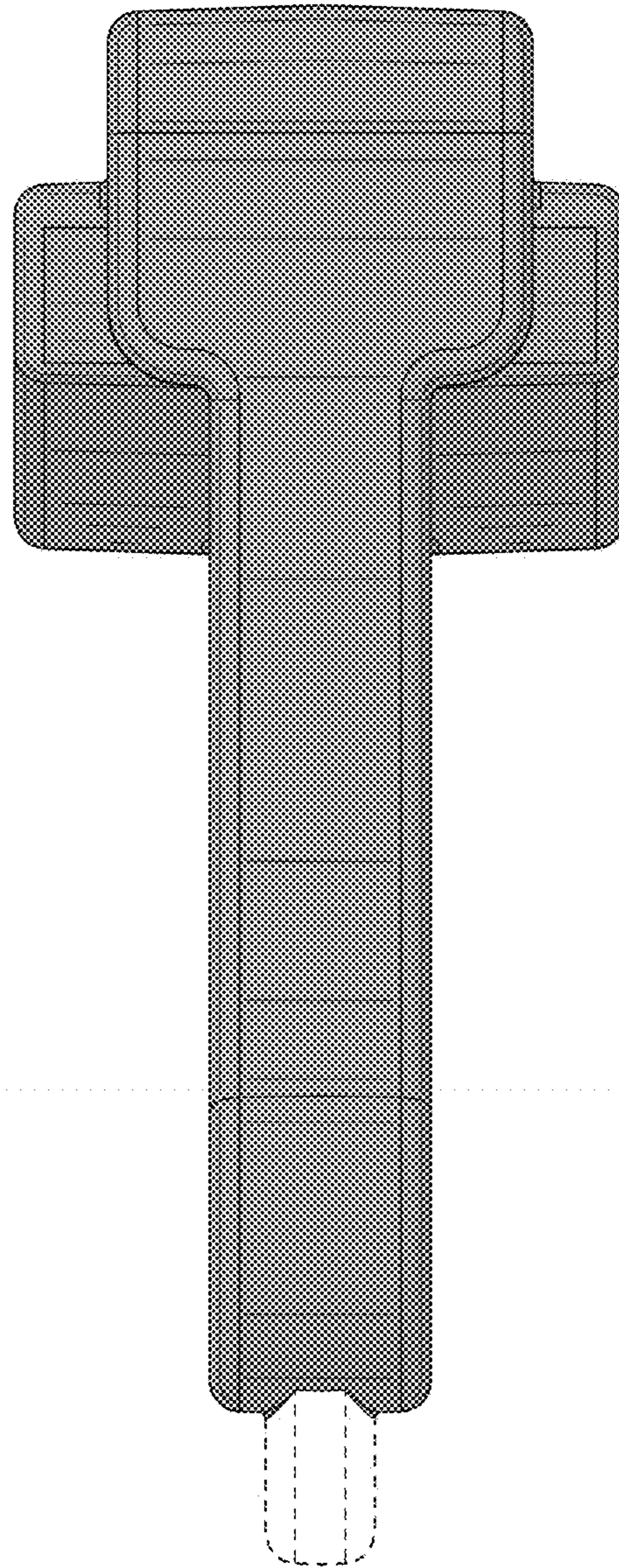


FIG. 12

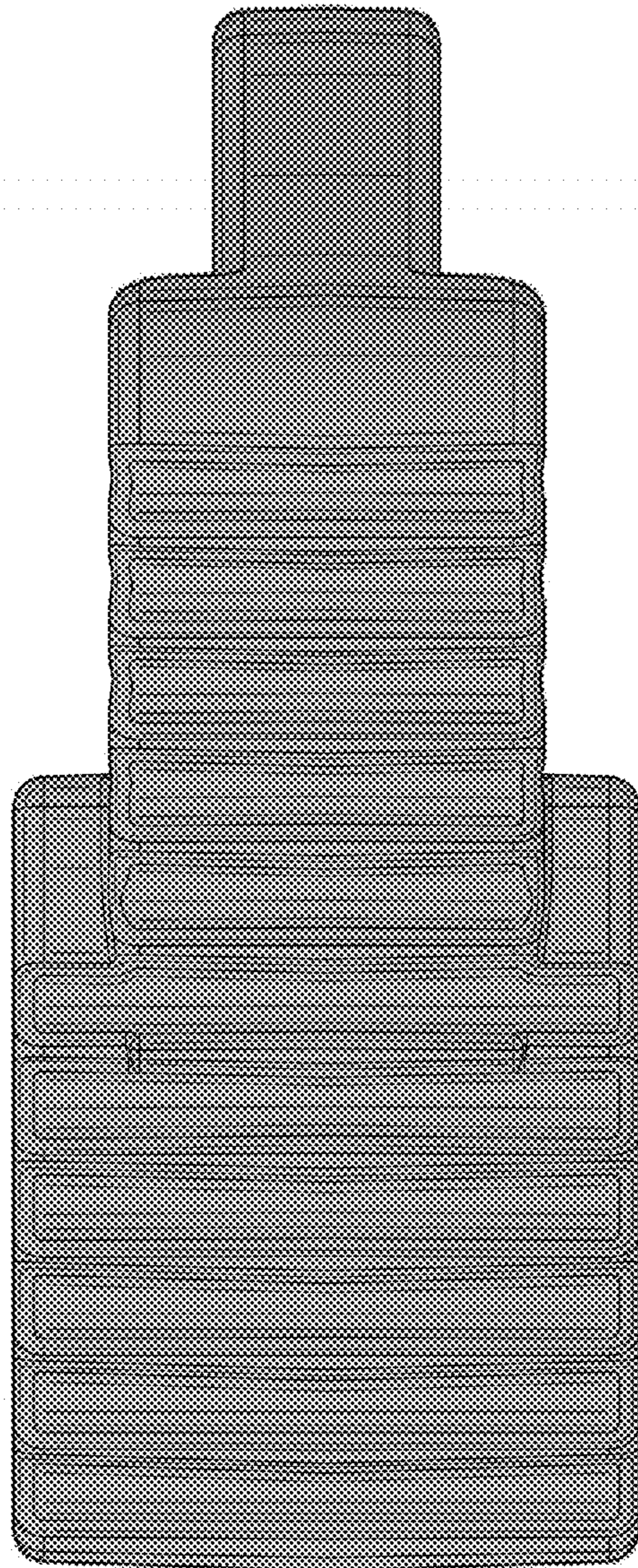


FIG. 13

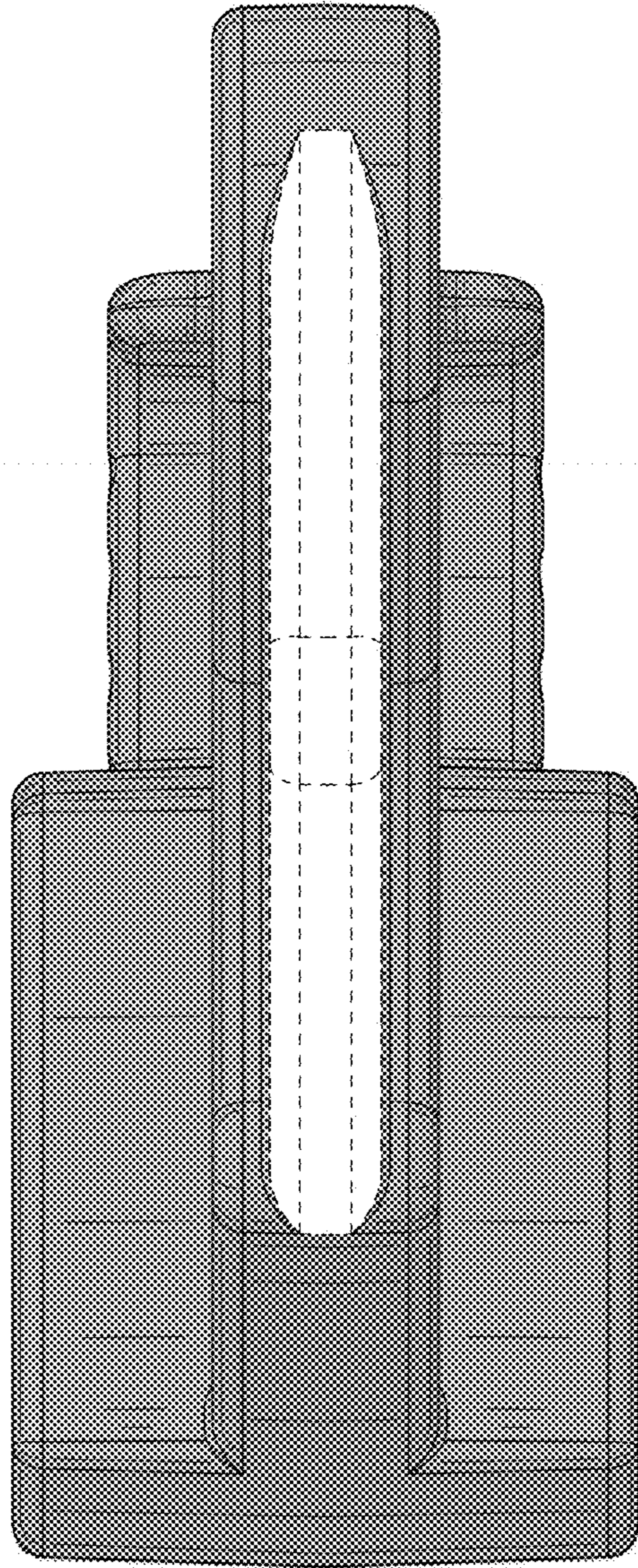


FIG. 14