



US00D972721S

(12) **United States Design Patent** (10) **Patent No.:** **US D972,721 S**
Bauer et al. (45) **Date of Patent:** **** Dec. 13, 2022**

(54) **VALVE**

(71) Applicant: **Medline Industries, LP**, Northfield, IL (US)

(72) Inventors: **Lisa Bauer**, Buffalo Grove, IL (US);
Luke Stevens, Wildwood, IL (US);
Michael Turturro, Arlington Heights, IL (US); **Paulina Lowkis**, Barrington, IL (US); **Morgan Uridil**, Evanston, IL (US); **Douglas Komandt**, Chicago, IL (US)

(73) Assignee: **Medline Industries, LP**, Northfield, IL (US)

(**) Term: **15 Years**

(21) Appl. No.: **29/777,593**

(22) Filed: **Apr. 7, 2021**

Related U.S. Application Data

(62) Division of application No. 29/696,798, filed on Jul. 1, 2019, now Pat. No. Des. 920,504.

(51) **LOC (13) Cl.** **24-02**

(52) **U.S. Cl.**
USPC **D24/129**

(58) **Field of Classification Search**
USPC D24/127-131, 112-114, 133, 186;
606/181, 185; 604/264, 523-528, 272,
604/187, 158, 164.01-164.11, 181, 184,
604/227; 600/101, 139, 143;
128/200.24, 207.14, 207.15
CPC B65D 83/425; B65D 83/14; A61M 25/065;
A61M 5/42; A61M 25/0612; A61M
25/00; A61M 39/00; A61M 27/00; A61M
25/0043; A61M 25/0067; A61M 25/0097;
A61F 2/958
See application file for complete search history.

(56) **References Cited**

U.S. PATENT DOCUMENTS

1,607,053 A 11/1926 Eshton
2,756,740 A 7/1956 Deane
2,760,262 A 8/1956 Homan
2,982,434 A 5/1961 Hidding
(Continued)

FOREIGN PATENT DOCUMENTS

EP 2434635 3/2012
EP 3325044 5/2018
(Continued)

OTHER PUBLICATIONS

Medline Industries, Inc., Pictures of Medline EntraFlo Nutrition Delivery System, publicly available Nov. 1, 2018.

(Continued)

Primary Examiner — Nathan M Johnston

(74) *Attorney, Agent, or Firm* — Fitch, Even, Tabin & Flannery LLP

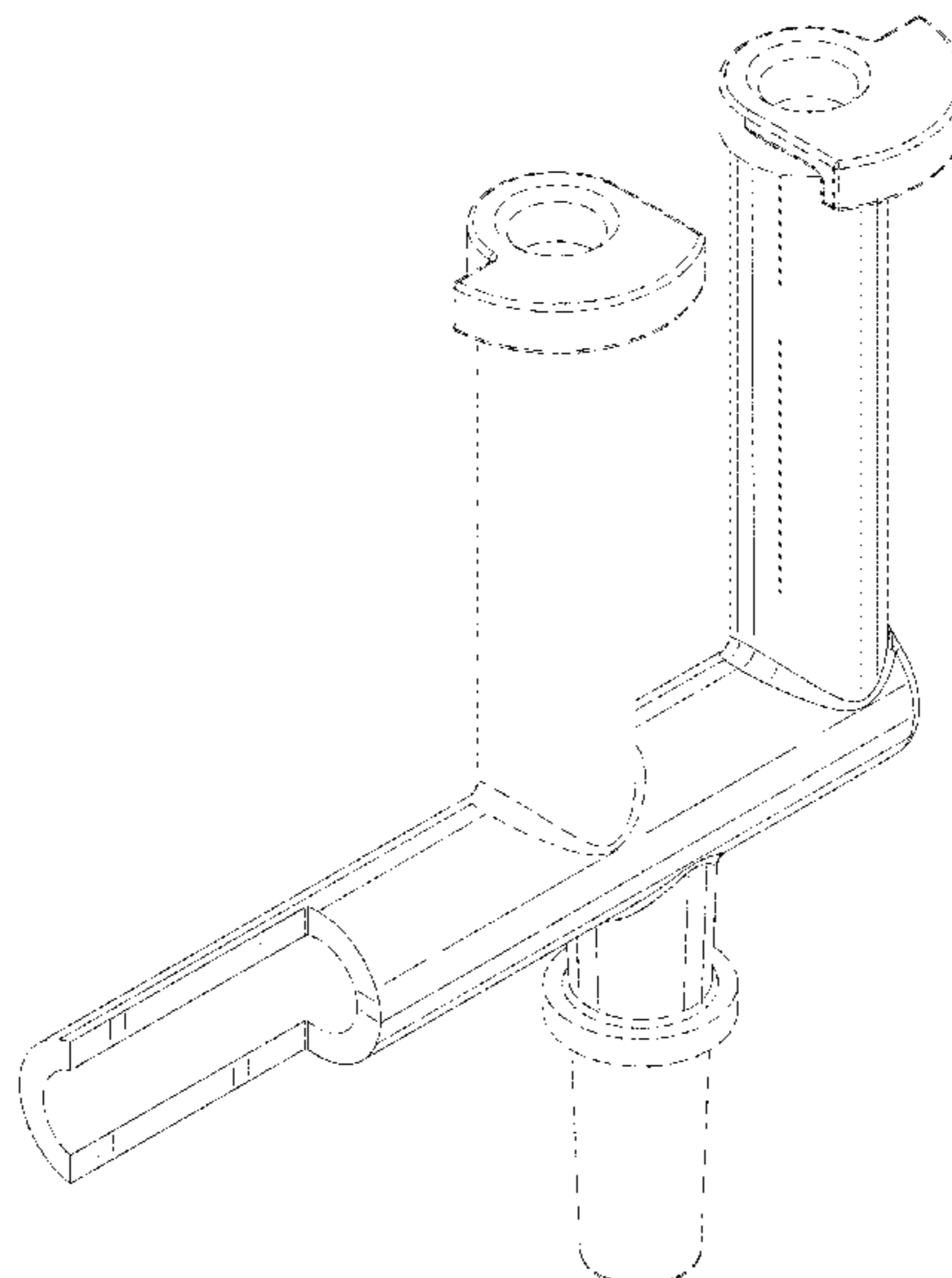
(57) **CLAIM**

The ornamental design for a valve, as shown and described.

DESCRIPTION

FIG. 1 is a front, top perspective view of a valve in accordance with our new design;
FIG. 2 is a rear, bottom perspective view thereof;
FIG. 3 is a front elevation view thereof;
FIG. 4 is a rear elevation view thereof;
FIG. 5 is a right side elevation view thereof;
FIG. 6 is a left side elevation view thereof;
FIG. 7 is a top plan view thereof; and,
FIG. 8 is a bottom plan view thereof.
The broken lines depict portions of the valves that form no part of the claimed design.

1 Claim, 7 Drawing Sheets



(56)

References Cited

U.S. PATENT DOCUMENTS

3,195,759 A 7/1965 Beacham
 3,220,591 A 11/1965 Hidding
 3,319,628 A * 5/1967 Halligan A61M 1/7411
 433/91
 3,556,453 A 1/1971 Hall
 3,630,477 A 12/1971 Stadler
 3,638,823 A 2/1972 McCoy
 3,807,679 A 4/1974 Burke
 D239,283 S * 3/1976 Villari D24/129
 4,045,070 A 8/1977 Geisinger
 4,634,089 A 1/1987 Wright
 4,900,308 A 2/1990 Verkaart
 4,930,532 A 6/1990 Mayer
 5,135,125 A 8/1992 Andel
 5,174,534 A 12/1992 Mitchell
 D333,184 S 2/1993 Taylor
 D334,620 S 4/1993 Taylor
 5,320,094 A * 6/1994 Laube A61M 15/0086
 128/200.14
 D348,384 S 7/1994 Karsten
 D354,350 S 1/1995 Pryor
 5,470,037 A 11/1995 Willis
 5,490,658 A 2/1996 Coward
 5,514,102 A 5/1996 Winterer
 5,549,074 A 8/1996 Hui
 D376,974 S 12/1996 Chen
 5,647,520 A 7/1997 McDaid
 5,720,721 A 2/1998 Dumas
 5,779,674 A 7/1998 Ford
 5,807,333 A 9/1998 Osborne
 5,816,553 A 10/1998 Brown
 D404,128 S 1/1999 Huebner
 5,934,222 A 8/1999 Hwang
 5,944,697 A 8/1999 Biche
 D418,916 S 1/2000 Bastable
 D429,334 S * 8/2000 Solem D24/155
 6,129,703 A 10/2000 Beneke
 D438,618 S 3/2001 Solem
 6,224,578 B1 5/2001 Davis
 6,277,092 B1 8/2001 Cole
 6,280,415 B1 8/2001 Johnson
 6,280,422 B1 8/2001 Sanchez-Browning
 D450,233 S 11/2001 Ward
 D450,512 S 11/2001 Gottwald
 D451,326 S 12/2001 Gottwald
 6,435,134 B1 8/2002 Ho
 6,561,129 B1 5/2003 Cheng
 D475,878 S 6/2003 Knable, III
 D492,871 S 7/2004 Alves
 D497,993 S 11/2004 Dixon
 D502,773 S 3/2005 Abry
 D506,668 S 6/2005 Black
 D513,419 S 1/2006 Morrison
 7,092,797 B2 8/2006 Gaines
 7,447,566 B2 11/2008 Knauper
 D583,053 S 12/2008 Zhukauskas
 7,726,174 B2 6/2010 Riley
 7,763,005 B2 7/2010 Knauper
 7,818,992 B2 10/2010 Riley
 8,021,322 B1 9/2011 Francis
 D649,641 S 11/2011 Guttulrsrud
 8,142,404 B2 3/2012 Knauper
 8,177,736 B2 5/2012 Kopperschmidt
 D663,417 S 7/2012 Meyer
 8,225,639 B2 7/2012 Riley
 D669,586 S 10/2012 Meyer
 D672,037 S 12/2012 Miller
 8,574,190 B2 11/2013 Francis
 D707,355 S 6/2014 Bow
 9,101,712 B2 8/2015 Denis
 D753,283 S * 4/2016 Efinger D24/108
 D754,336 S * 4/2016 Renner D24/137
 9,402,789 B2 8/2016 Knauper
 9,408,968 B2 8/2016 Browne

9,424,020 B2 8/2016 Borges
 D773,658 S * 12/2016 Bow D24/129
 D783,814 S 4/2017 Hanuka
 D789,540 S 6/2017 Gyorgy
 9,710,610 B2 7/2017 Flynn
 D795,422 S * 8/2017 Bow D24/129
 D796,667 S 9/2017 Manandhar
 D799,056 S 10/2017 Bourgeois
 9,820,916 B2 11/2017 Boulanger
 9,852,263 B2 12/2017 Harr
 9,871,866 B2 1/2018 Borges
 D812,456 S 3/2018 Nolta
 9,909,688 B2 3/2018 Gaines
 D818,582 S * 5/2018 Bow D24/129
 9,974,902 B2 5/2018 Holderle
 10,215,305 B2 2/2019 Gaines
 10,219,985 B2 3/2019 Hudson
 10,227,971 B2 3/2019 Hudson
 10,293,103 B2 5/2019 Adams
 10,387,624 B2 8/2019 Jedwab
 D861,863 S 10/2019 Leonard
 10,426,709 B2 10/2019 Harr
 D866,748 S 11/2019 Khabiri
 10,765,798 B2 9/2020 Mackelfresh
 D906,516 S 12/2020 Uridil
 D920,504 S 5/2021 Bauer
 D925,033 S 7/2021 Uridil
 11,110,036 B2 9/2021 Bauer
 11,160,920 B2 11/2021 Mackelfresh
 2002/0069869 A1 * 6/2002 Farmer A61M 15/0086
 128/203.29
 2003/0062049 A1 4/2003 Kolobow
 2003/0212381 A1 11/2003 Whitehead, III
 2005/0039746 A1 * 2/2005 Grychowski A61M 15/0086
 128/204.18
 2005/0165304 A1 7/2005 Albertelli
 2006/0173412 A1 8/2006 Susi
 2007/0244475 A1 10/2007 Carson
 2008/0119822 A1 5/2008 Knauper
 2009/0139530 A1 6/2009 Landis
 2010/0057017 A1 3/2010 Pappas
 2012/0123322 A1 5/2012 Scarpaci
 2013/0103137 A1 * 4/2013 Asano A61M 39/0247
 623/1.35
 2013/0161470 A1 6/2013 Alvares
 2014/0031784 A1 1/2014 Flynn
 2016/0058673 A1 3/2016 Francis
 2016/0067148 A1 3/2016 Nordquist
 2016/0235630 A1 8/2016 Zuijderduin
 2016/0361492 A1 12/2016 Nunez
 2017/0105903 A1 4/2017 Gallotto
 2017/0173257 A1 6/2017 Sarna
 2017/0197026 A1 7/2017 Kesselman
 2018/0207360 A1 7/2018 Juretich
 2018/0234499 A1 8/2018 Borges
 2018/0236168 A1 8/2018 Holderle
 2018/0325373 A1 11/2018 Rodger
 2019/0142699 A1 5/2019 Hudson
 2019/0216688 A1 7/2019 Ganter
 2019/0240397 A1 8/2019 Adams
 2019/0247643 A1 8/2019 Merchant
 2019/0358387 A1 11/2019 Elbadry
 2021/0000694 A1 1/2021 Bauer

FOREIGN PATENT DOCUMENTS

WO 2008059495 5/2008
 WO 2016152238 9/2016
 WO 2018177765 10/2018
 WO 2019148900 8/2019

OTHER PUBLICATIONS

SideKick Solo, Feeding Tube Stand, <http://sidekicksolo.com/sidekick-solo/>, Accessed on Nov. 6, 2018.

* cited by examiner

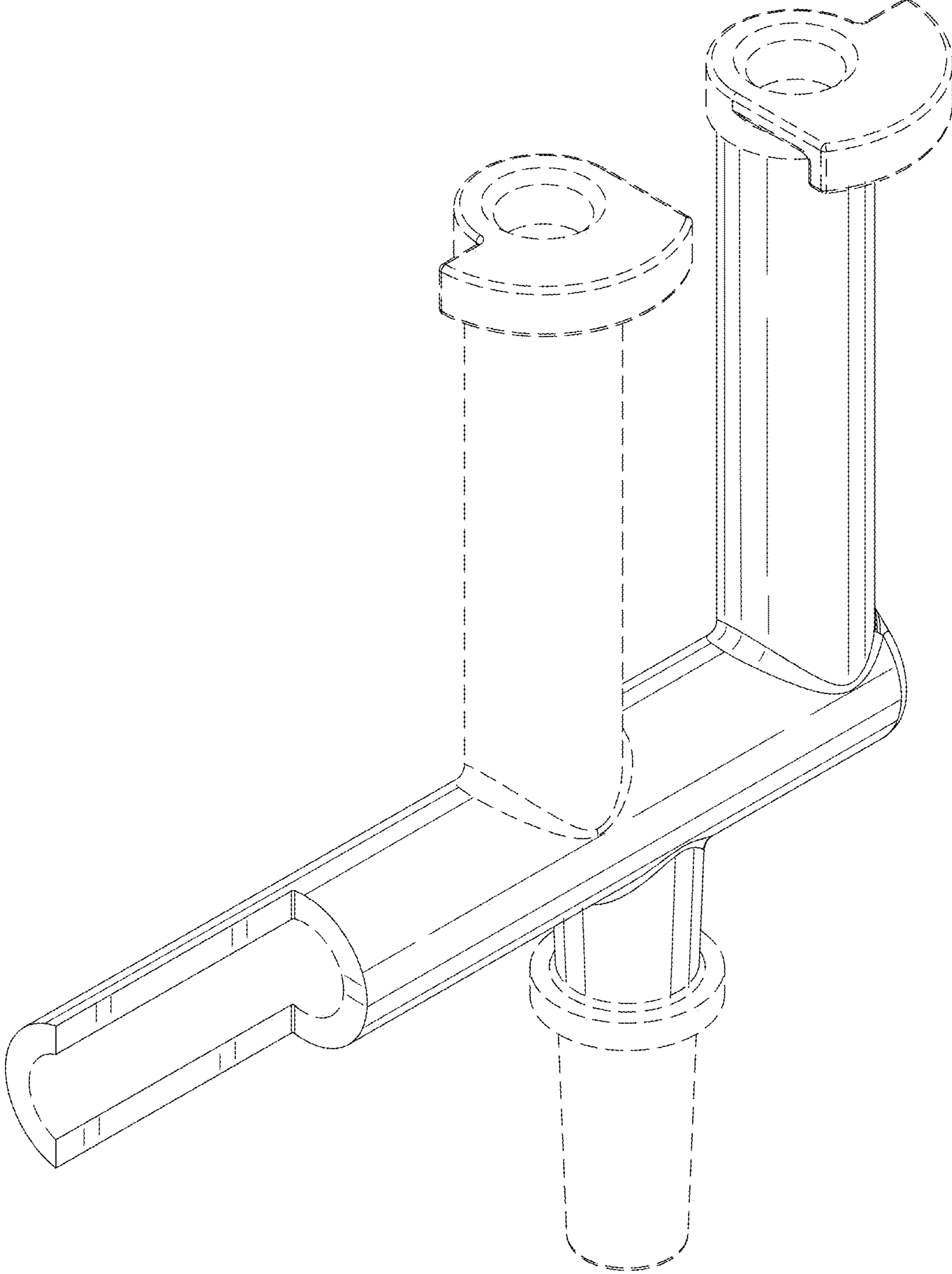


FIG. 1

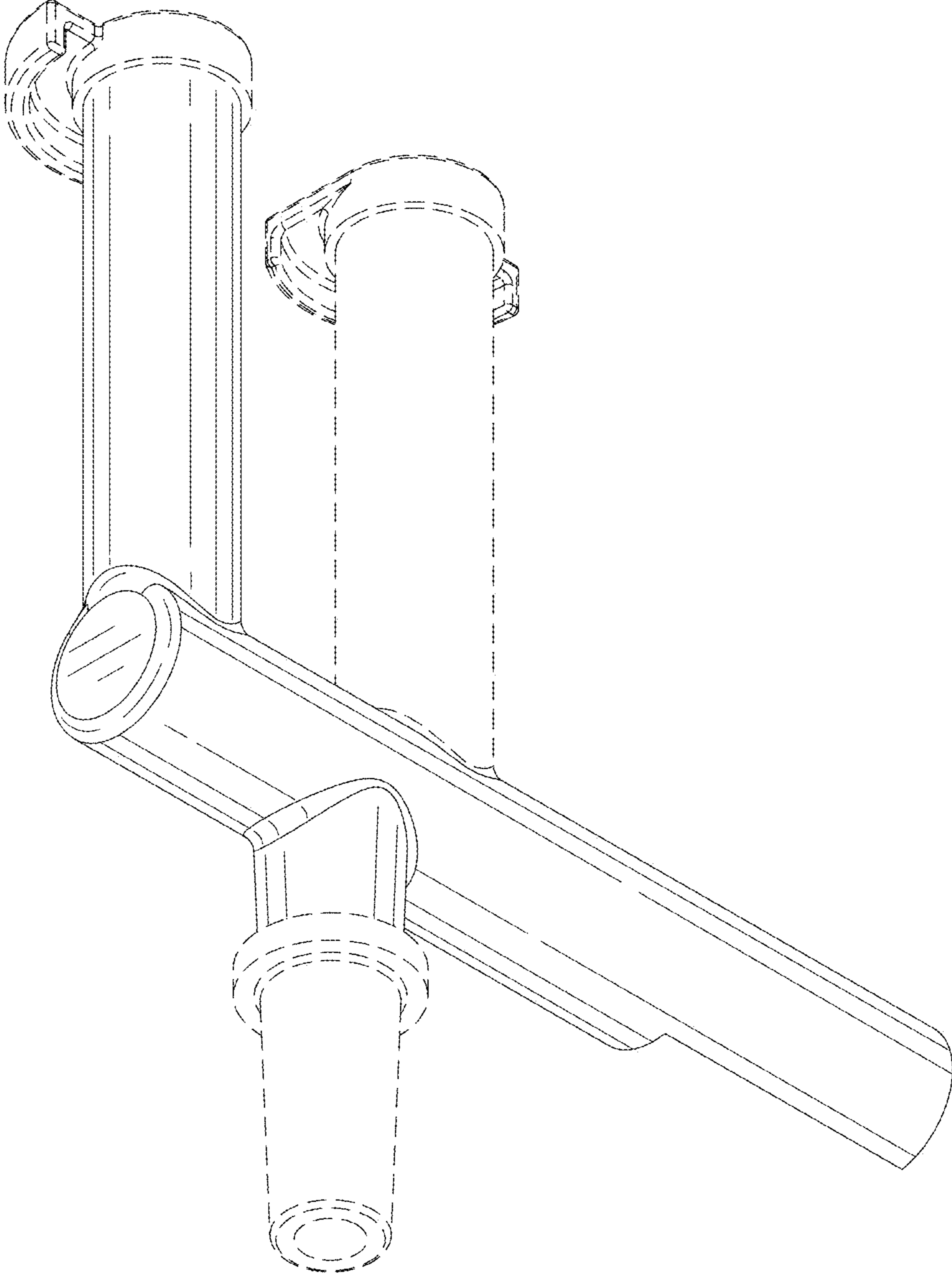


FIG. 2

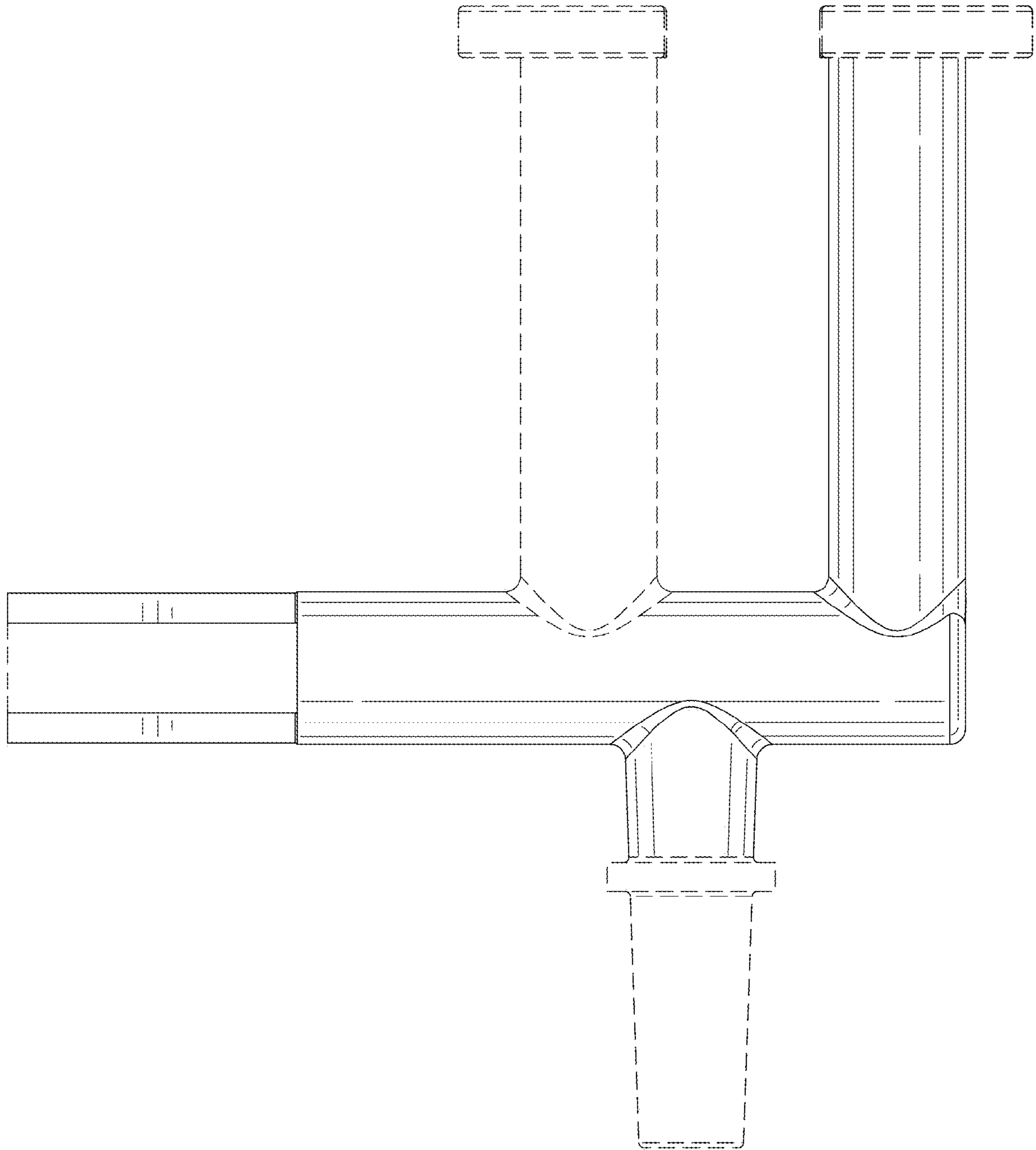


FIG. 3

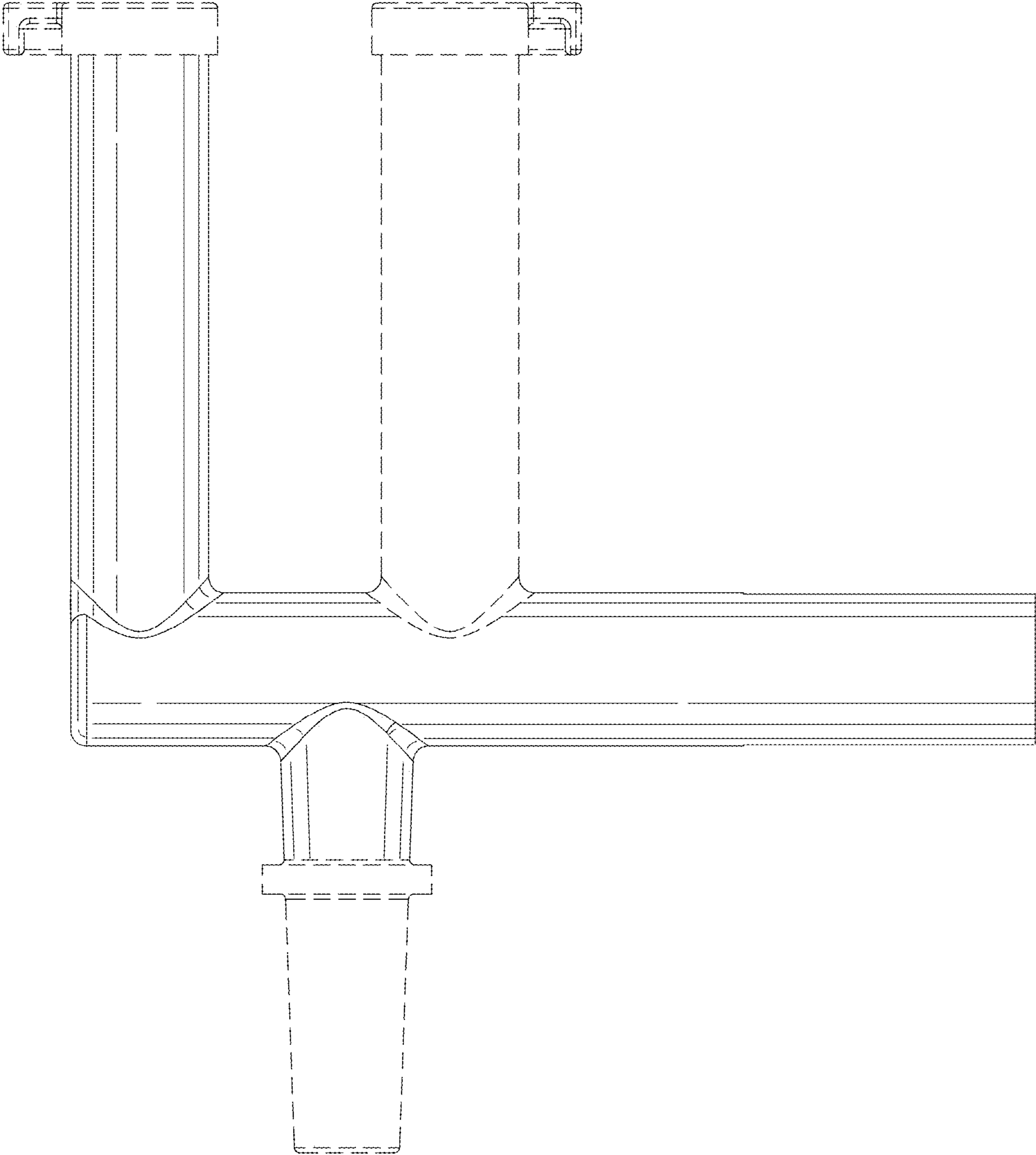


FIG. 4

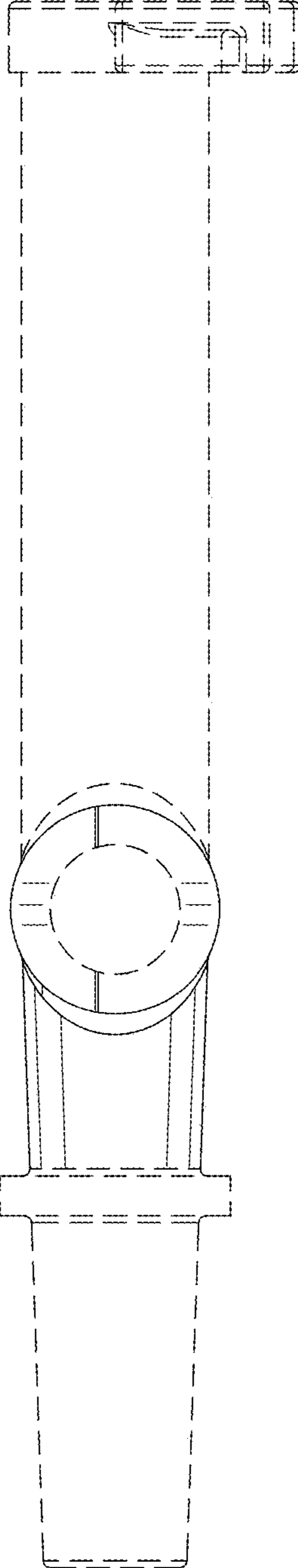


FIG. 5

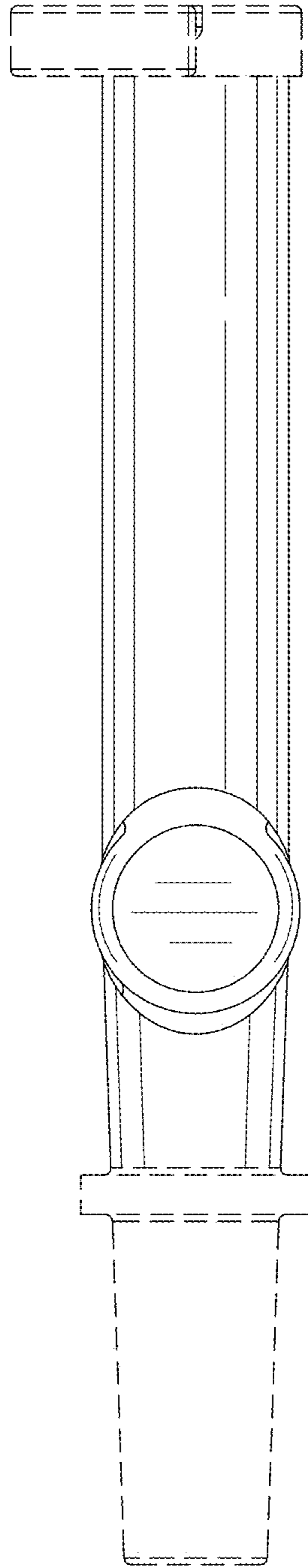


FIG. 6

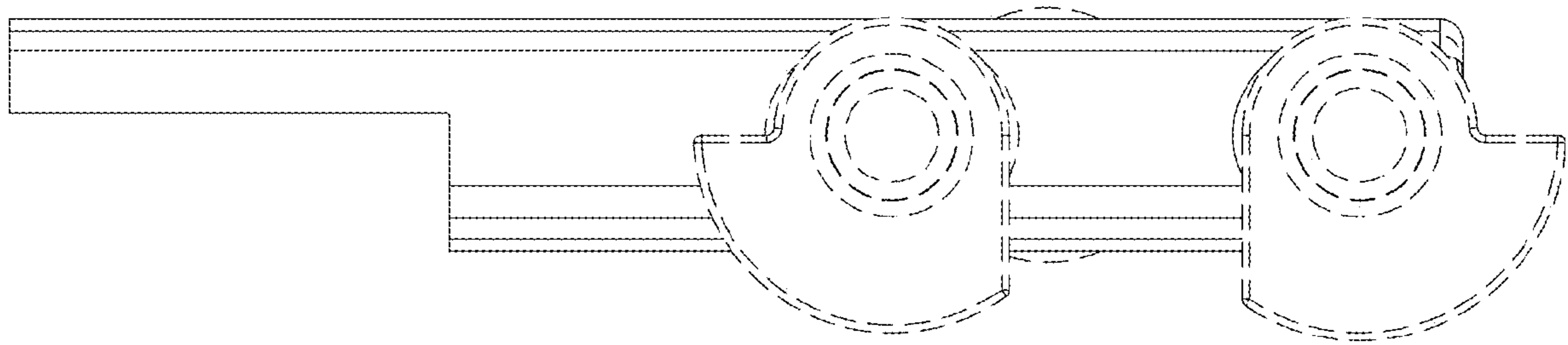


FIG. 7

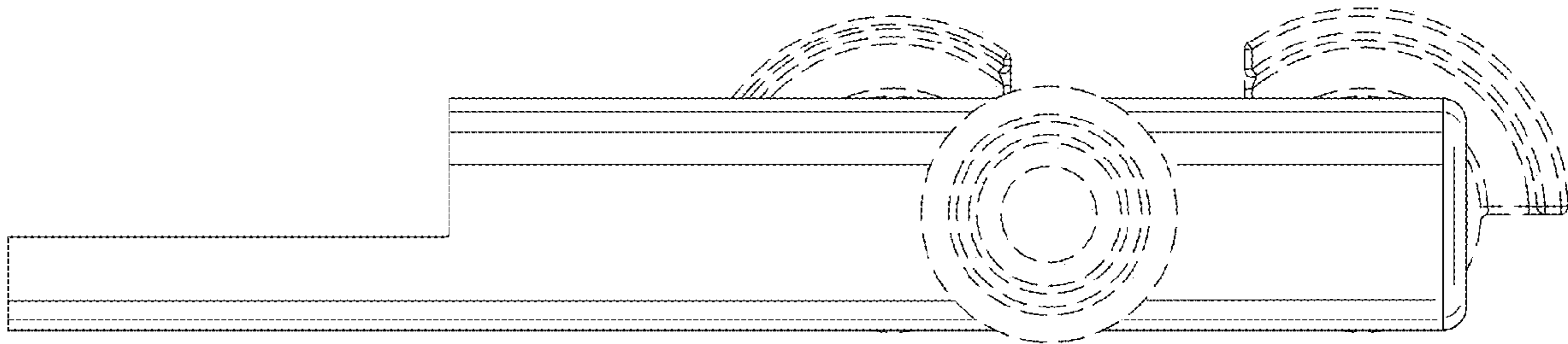


FIG. 8