



US00D972720S

(12) **United States Design Patent** (10) **Patent No.:** **US D972,720 S**
Cote et al. (45) **Date of Patent:** **** Dec. 13, 2022**

(54) **PORT FOR ASPIRATION DEVICE**

(71) Applicant: **ANGIODYNAMICS, INC.**, Latham, NY (US)
(72) Inventors: **Seth Cote**, Worcester, MA (US); **James Mitchell**, Ballston Spa, NY (US); **David Chesley**, Duxbury, MA (US); **Christopher Harris**, Somerville, MA (US); **Peter Costello**, Raynham, MA (US); **Ayan Bhandair**, Morgantown, WV (US); **Zachary Konsin**, Providence, RI (US); **Kenneth Focht**, Needham, MA (US)

(73) Assignee: **ANGIODYNAMICS, INC.**, Latham, NY (US)

(**) Term: **15 Years**

(21) Appl. No.: **29/769,311**

(22) Filed: **Feb. 4, 2021**

(51) **LOC (13) Cl.** **24-02**

(52) **U.S. Cl.**
USPC **D24/129; D24/110.6**

(58) **Field of Classification Search**
USPC D24/127-129, 110, 110.4, 110.5, 110.6, D24/112, 113, 121, 186, 231

(Continued)

(56) **References Cited**

U.S. PATENT DOCUMENTS

4,400,168 A 8/1983 Buechel et al.
4,519,385 A 5/1985 Atkinson et al.

(Continued)

FOREIGN PATENT DOCUMENTS

CN 200955480 Y 10/2007
CN 304337016 * 10/2017

(Continued)

OTHER PUBLICATIONS

WP Kuala Lumpur, I Sputum Aspirator Manual Suction Pump Hand Held Patient First Aid, Webpage, Nov. 16, 2020, <https://www.lazada.com.my/products/i-sputum-aspirator-manual-suction-pump-hand-help-patient-first-aid-i473526891.html>.

(Continued)

Primary Examiner — Natasha Vujcic
Assistant Examiner — Gilbert B Ford
(74) *Attorney, Agent, or Firm* — Heslin Rothenberg Farley & Mesiti

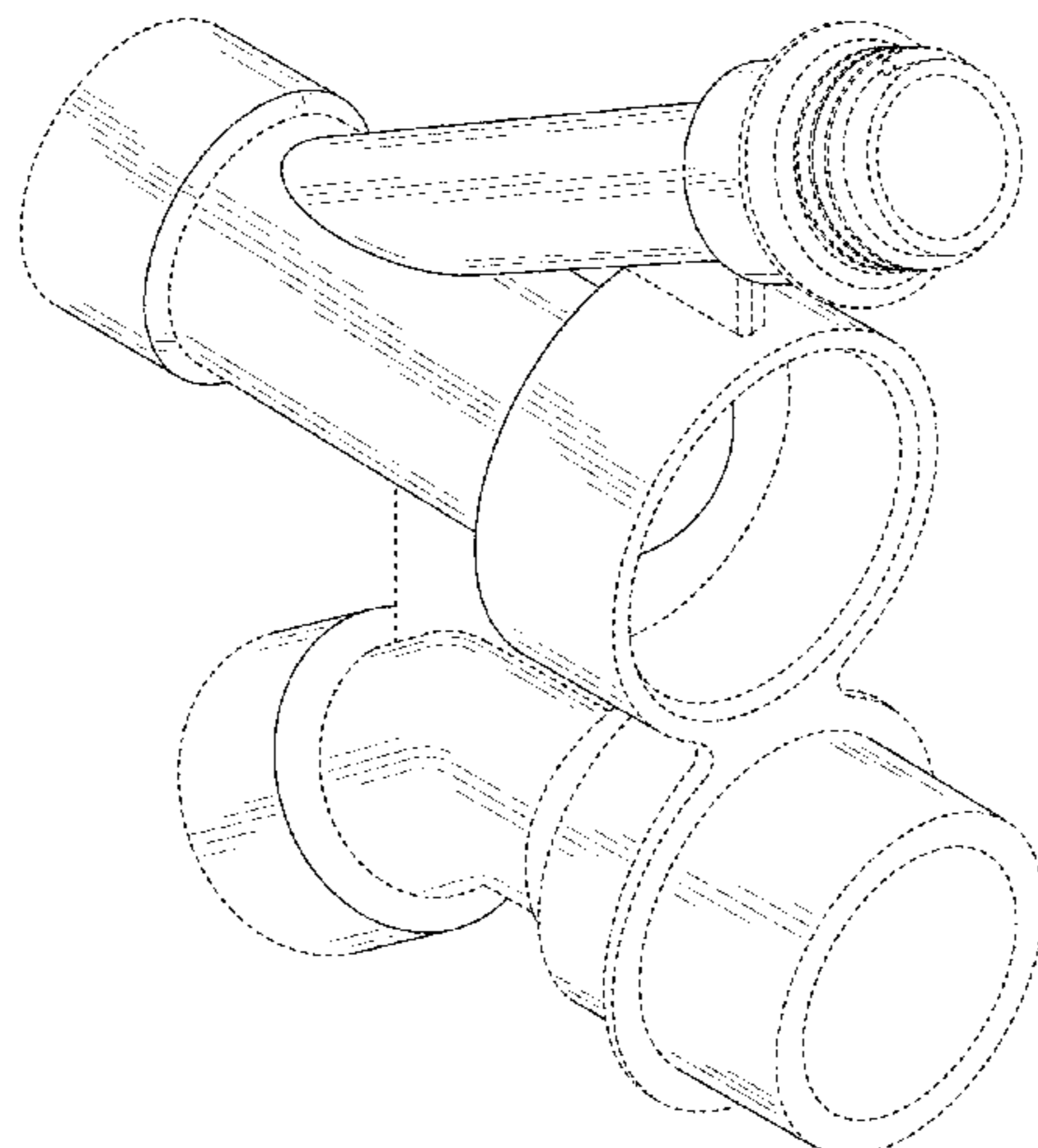
(57) **CLAIM**

We claim, the ornamental design for a port for aspiration device, as shown and described.

DESCRIPTION

FIG. 1 is a perspective view of an port for aspiration device comprising the new design;
FIG. 2 is left side view thereof;
FIG. 3 is a right side view thereof;
FIG. 4 is a rear view thereof;
FIG. 5 is a front view thereof;
FIG. 6 is a top view thereof; and
FIG. 7 is a bottom view thereof;
FIG. 8 is a perspective view of a port for aspiration device comprising a second embodiment.
FIG. 9 is left side view thereof;
FIG. 10 is a right side view thereof;
FIG. 11 is a rear view thereof;
FIG. 12 is a top view thereof;
FIG. 13 is a bottom view thereof;
FIG. 14 is a front view thereof;
FIG. 15 is a perspective view of a port for aspiration device comprising a third embodiment.
FIG. 16 is left side view thereof;
FIG. 17 is a right side view thereof;
FIG. 18 is a rear view thereof;
FIG. 19 is a top view thereof;
FIG. 20 is a bottom view thereof; and,
FIG. 21 is a front view thereof.

(Continued)



The broken lines depict portions of the port for aspiration device that form no part of the claimed design.

1 Claim, 21 Drawing Sheets

(58) **Field of Classification Search**

CPC .. A61M 39/00; A61M 27/00; A61M 25/0043;
A61M 25/0067; A61M 25/0097; A61M
2/958

See application file for complete search history.

(56) **References Cited**

U.S. PATENT DOCUMENTS

4,643,719	A	2/1987	Garth et al.	
D325,437	S	4/1992	Hull	
5,147,292	A	9/1992	Kullas et al.	
D332,306	S	1/1993	Garth et al.	
D333,023	S	2/1993	Herron, Jr.	
D424,261	S	5/2000	Embree et al.	
D430,369	S	8/2000	Medema et al.	
D435,324	S	12/2000	Paterson et al.	
6,979,184	B2	12/2005	Wu et al.	
D519,632	S *	4/2006	Bayron	D24/129
7,223,253	B2	5/2007	Hogendijk	
D576,728	S	9/2008	Yates	
7,811,256	B2	10/2010	Landman et al.	
D638,931	S *	5/2011	Graham	A61M 16/109 D24/127
D680,220	S	4/2013	Rachlin	
8,444,627	B2 *	5/2013	Brewer	A61M 16/0463 604/533
D689,601	S	9/2013	Black et al.	
D691,717	S *	10/2013	McLean	D24/129
8,728,045	B2	5/2014	Hu et al.	
D716,439	S *	10/2014	Taylor	D24/110
D720,850	S *	1/2015	Hsia	D24/130
8,956,383	B2	2/2015	Aklog et al.	
8,992,482	B2	3/2015	Fojtik	
D732,766	S	6/2015	Hughes et al.	
D739,622	S	9/2015	Johnson	
D747,473	S *	1/2016	Martin	D24/129
9,526,864	B2	12/2016	Quick	
9,526,865	B2	12/2016	Quick	
9,693,789	B2	7/2017	Garrison et al.	
9,987,028	B2	6/2018	Lowinger et al.	
D833,599	S *	11/2018	Nilsson	D24/110.4
10,143,818	B2 *	12/2018	Martin	A61M 16/0858
D838,845	S *	1/2019	Sinharay	D24/129
D852,355	S *	6/2019	Fiorenza	D24/110.6

10,349,960	B2	7/2019	Quick	
10,390,847	B2	8/2019	LaCerf et al.	
D858,742	S	9/2019	Teoh	
10,441,301	B2	10/2019	Vale et al.	
D869,113	S	12/2019	Chavana, Jr. et al.	
D873,990	S	1/2020	Dixon et al.	
D878,549	S *	3/2020	Wilson	D24/112
10,682,152	B2	7/2020	Vale et al.	
10,737,001	B2	8/2020	Yarger	
10,792,056	B2	10/2020	Vale et al.	
D936,825	S *	11/2021	VanPelt	D24/129
2006/0026791	A1	2/2006	Fischer et al.	
2006/0216171	A1	9/2006	Hernandez	
2016/0089172	A1	3/2016	Windheuser	
2016/0325026	A1	11/2016	Yarger	
2018/0021487	A1	1/2018	Yarger	
2018/0021488	A1	1/2018	Yarger	
2019/0231373	A1	8/2019	Quick	
2019/0328411	A1	10/2019	Vale et al.	
2020/0046368	A1	2/2020	Merritt et al.	
2020/0113587	A1	4/2020	Garrison et al.	

FOREIGN PATENT DOCUMENTS

KR	0116943	Y1	4/1998
KR	200211709	Y1	1/2001
KR	3020120004390		2/2013
KR	3020160017815		3/2017
WO	02088546	A1	11/2002
WO	2011093633	A2	4/2011
WO	2019064306	A1	4/2019
WO	2020036809	A1	2/2020

OTHER PUBLICATIONS

Wessex Medical, Manual Suction Pump, Nov. 16, 2020, Webpage, <https://www.wessex-medical.com/shop/suction/hand-powered-suction>.

Delasco, Aspirating Gun, Webpage, Nov. 16, 2020, <https://www.delasco.com/aspirating-gun/>.

Varaylaborix, Universal Biopsy Cameco Fine Needle Biopsy Gun, Webpage, Nov. 16, 2020, <http://www.varaylaborix.com/universel-biopsy-cameco-fine-needle-biopsy-gun,us,4,608181.cfm>.

Openbooks, Biopsy of Head & Neck Tumours & Cervical Lymph Nodes, Webpage, Nov. 16, 2020, Found At: <https://openbooks.uct.ac.za/uct/catalog/download/ENTatlas/2/13-4?inline=1>.

Nevitdilmen, Fine Needle Aspiration Biopsy Gun, Webpage, Nov. 16, 2020, <https://www.thingiverse.com/thing:3006383>.

Laerdal, V-Vac™ Manual Suction Unit, Webpage, Nov. 16, 2020, <https://laerdal.com/us/products/medical-devices/airway-management/v-vac-manual-suction-unit/>.

* cited by examiner

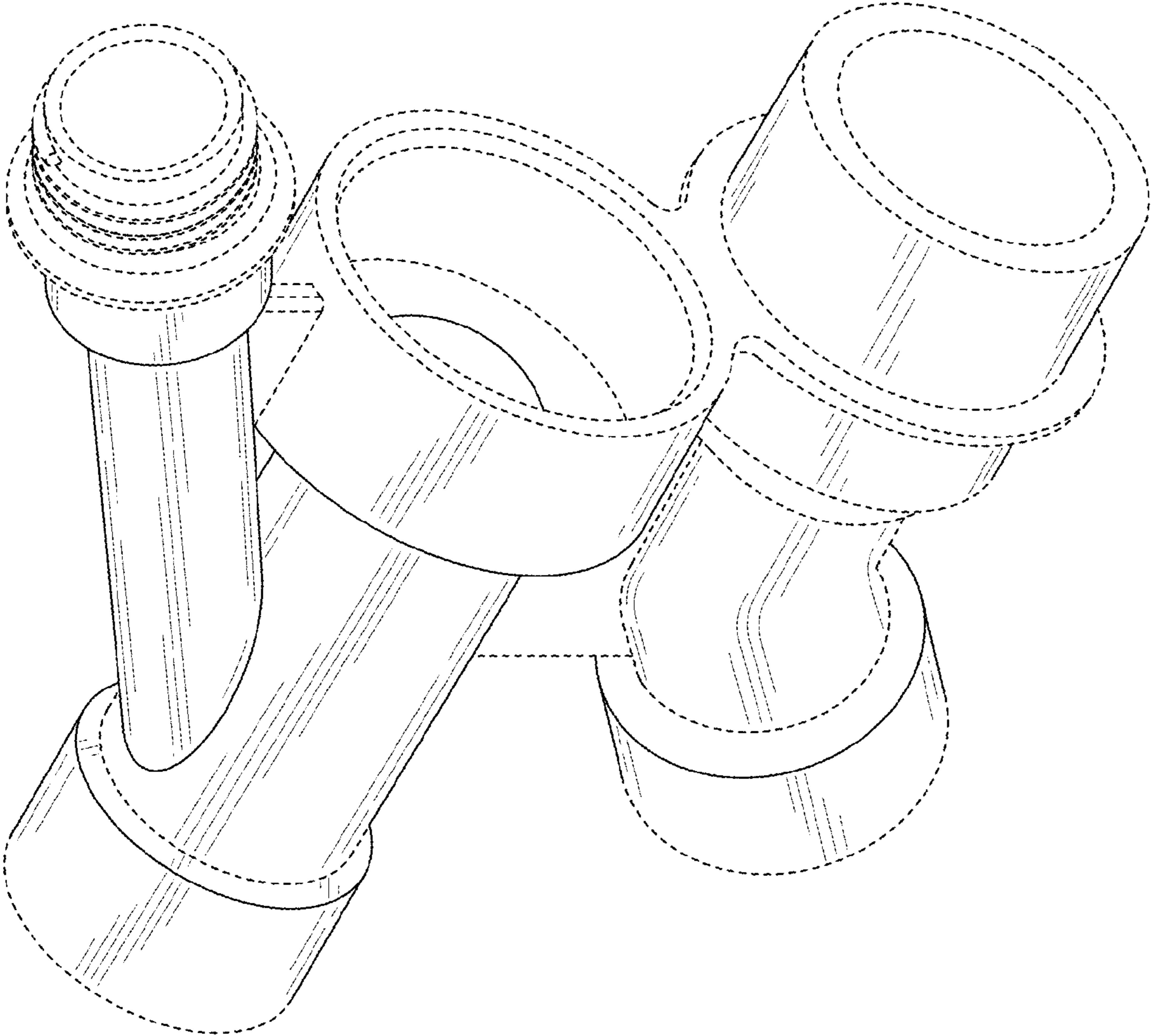


FIG. 1

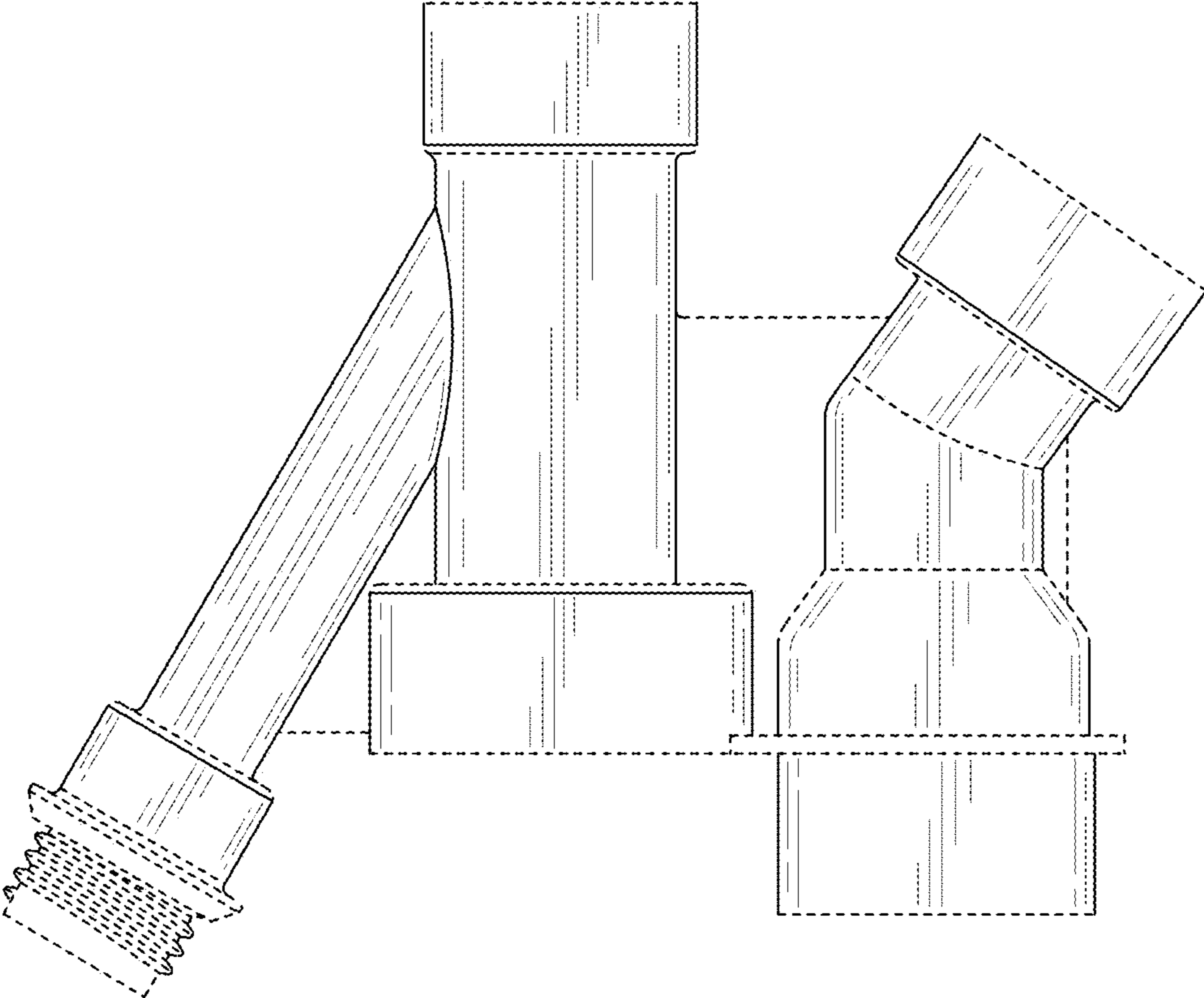


FIG. 2

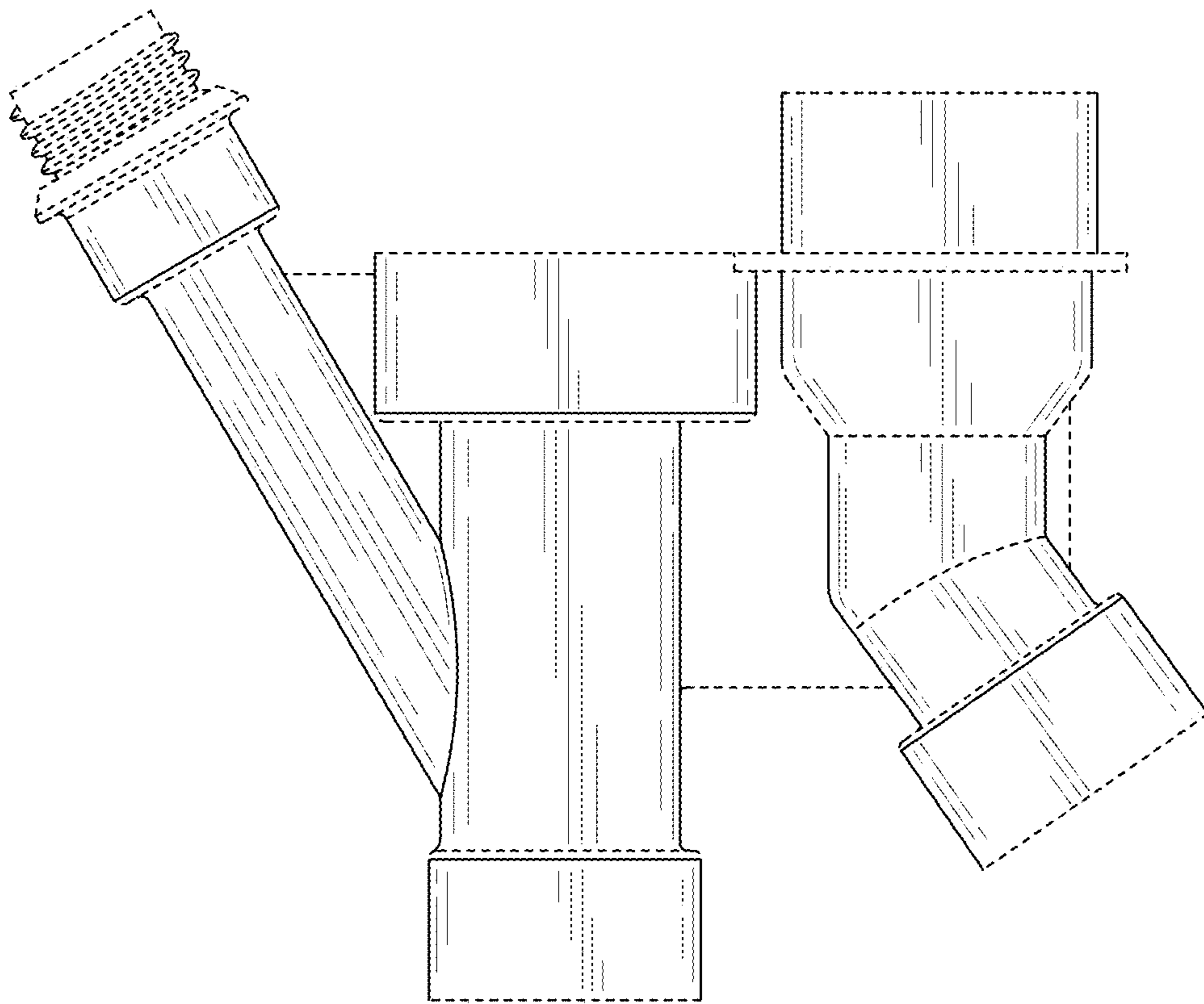


FIG. 3

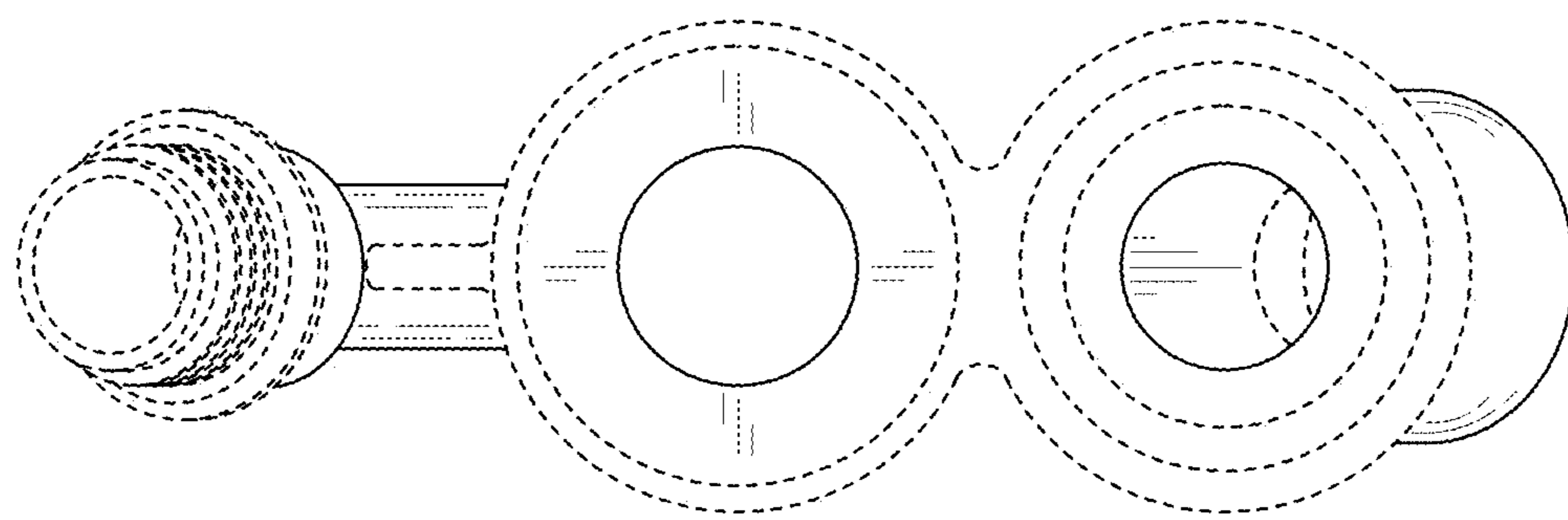


FIG. 4

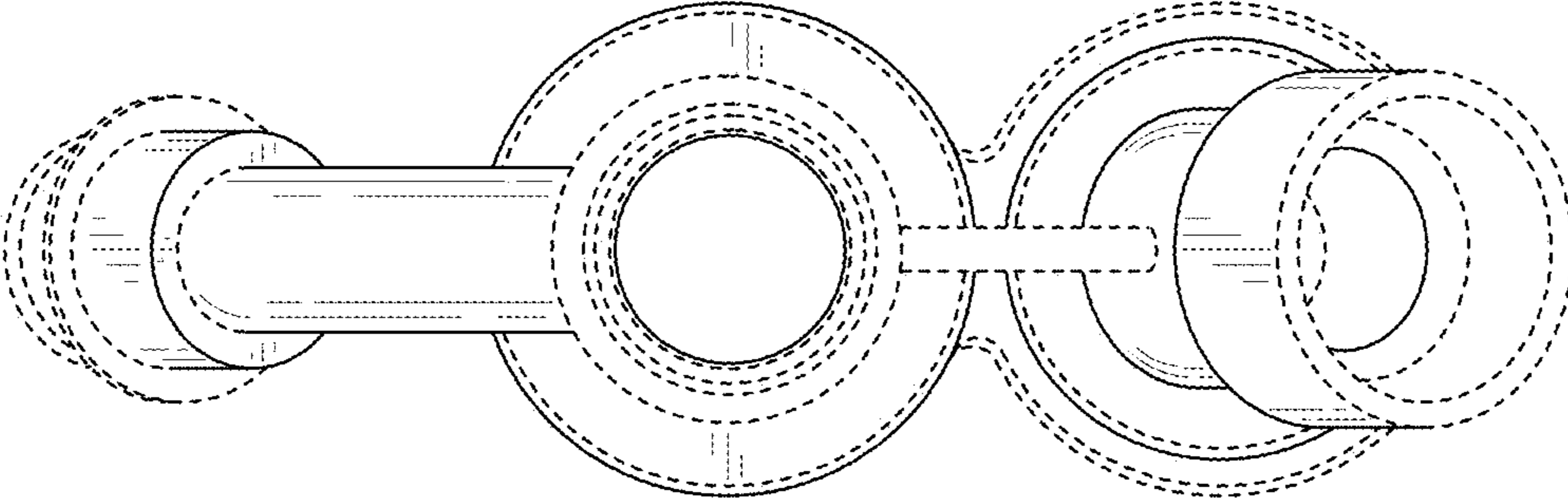


FIG. 5

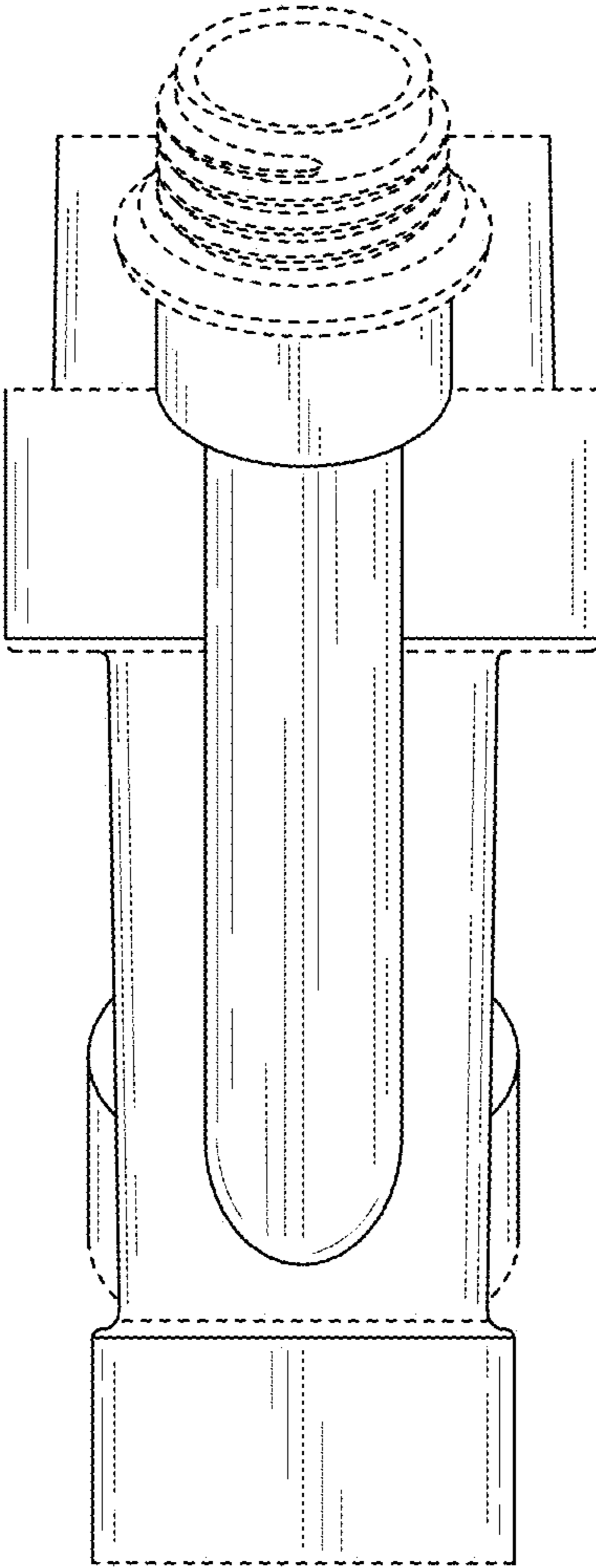


FIG. 6

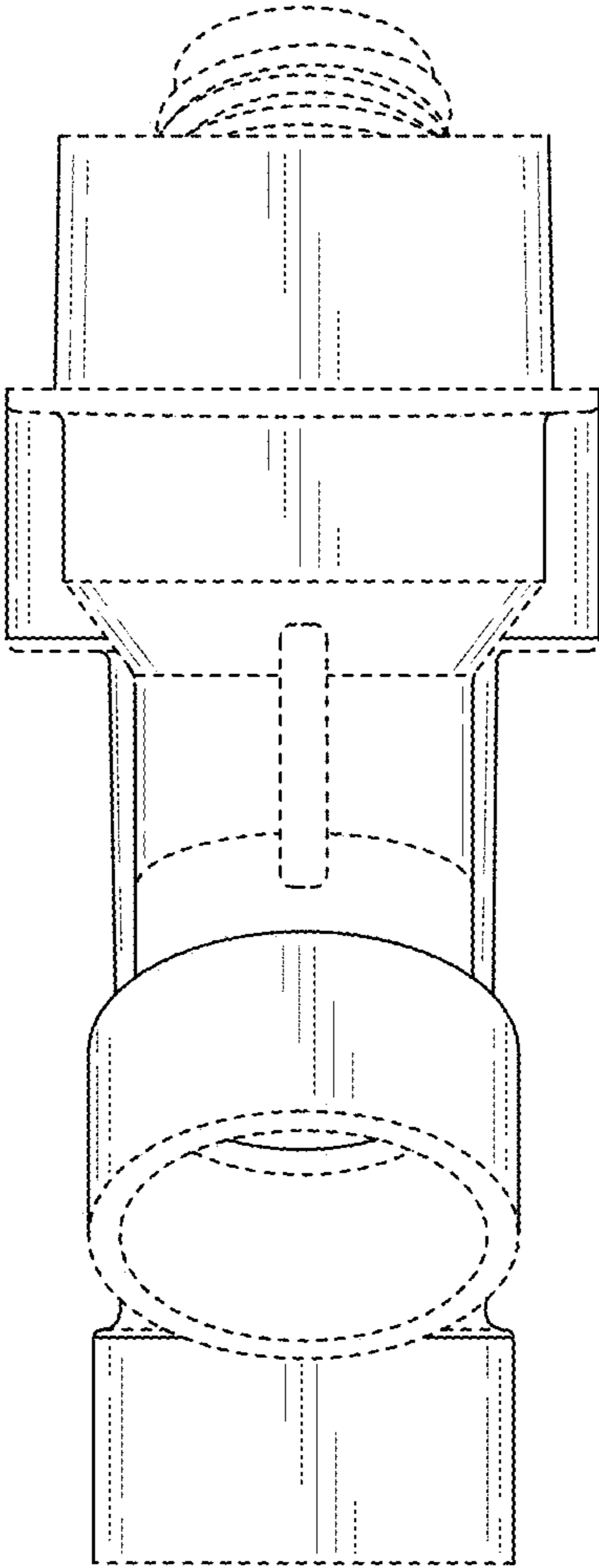


FIG. 7

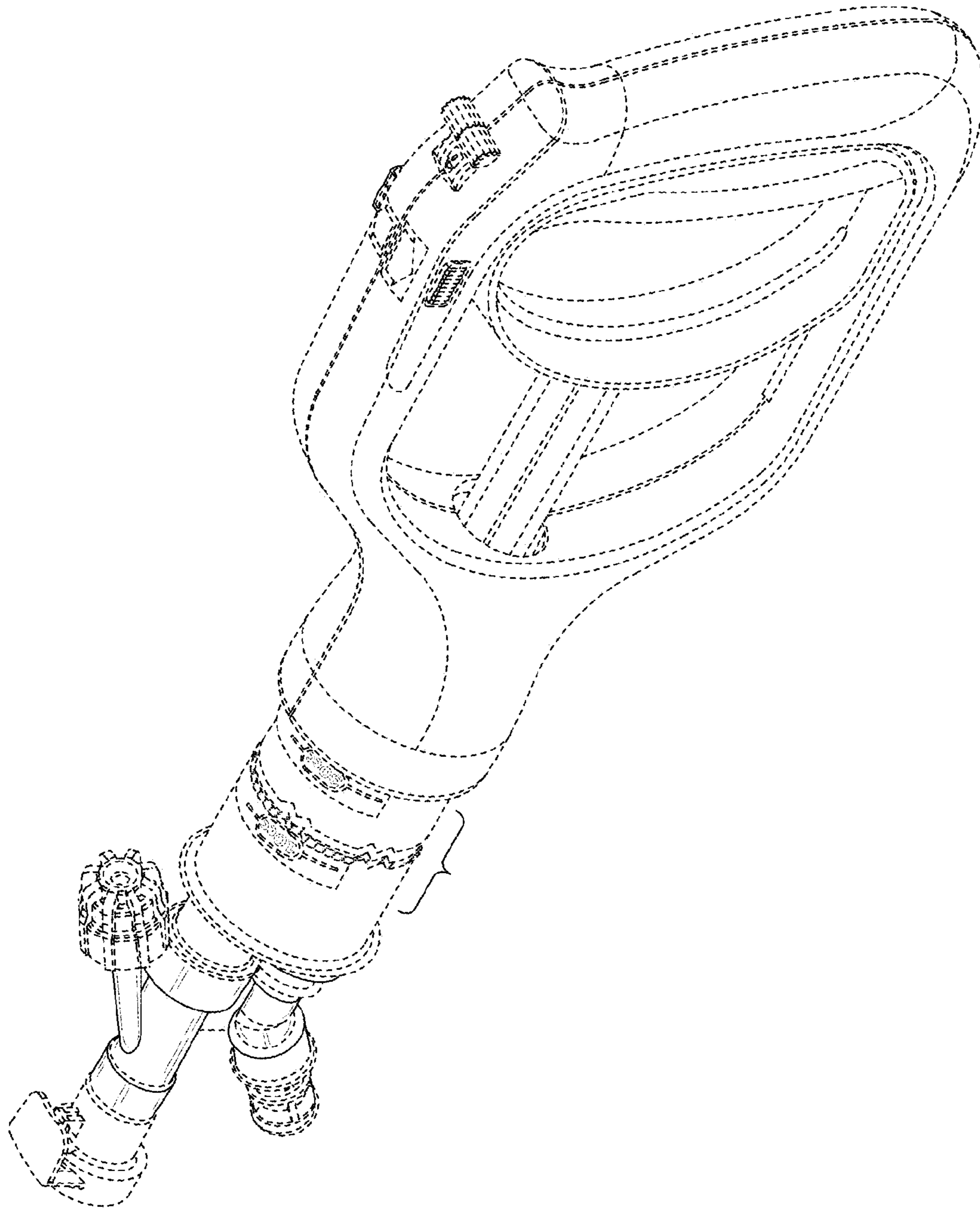


FIG. 8

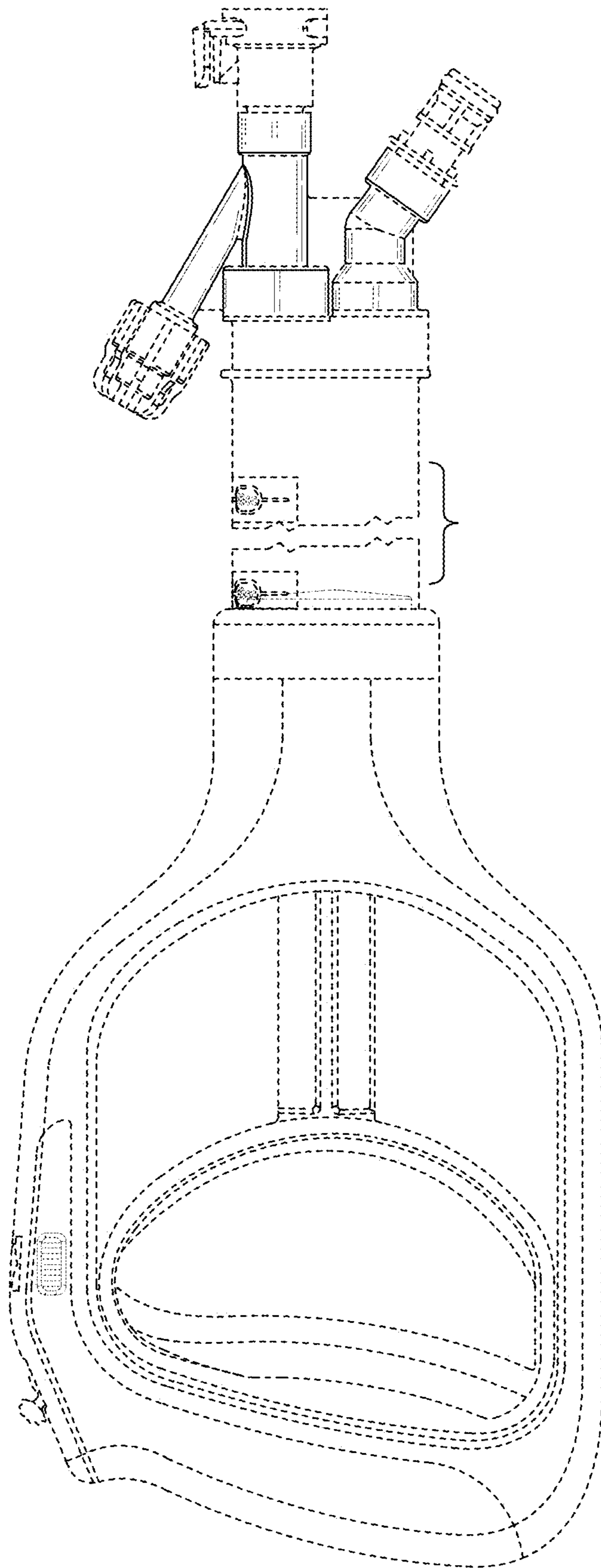


FIG. 9

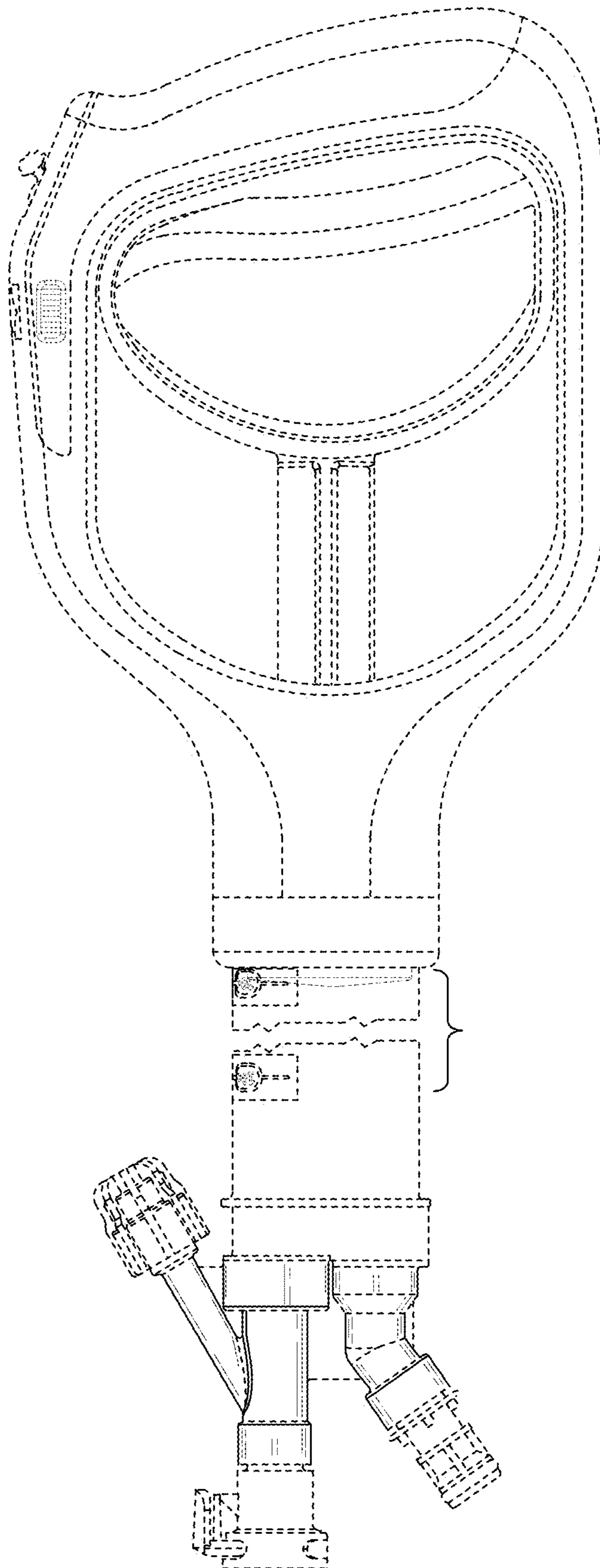


FIG. 10

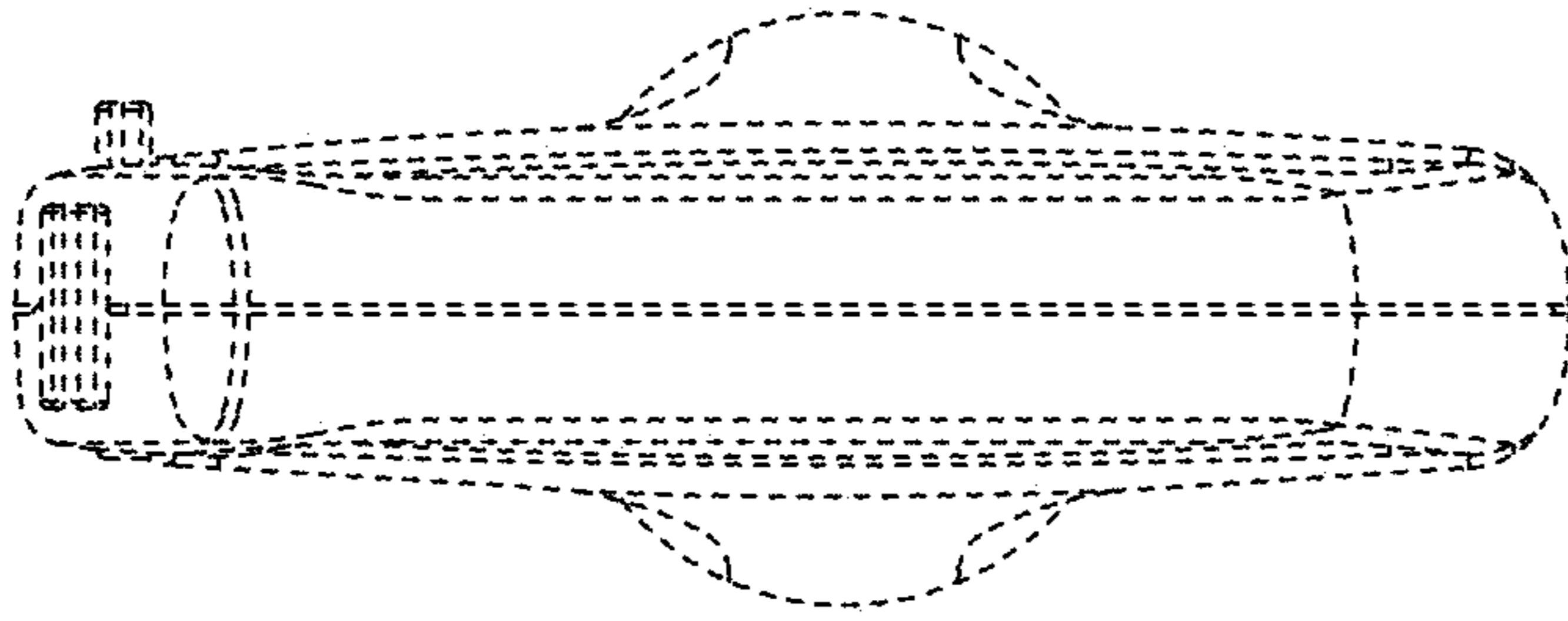


FIG.11

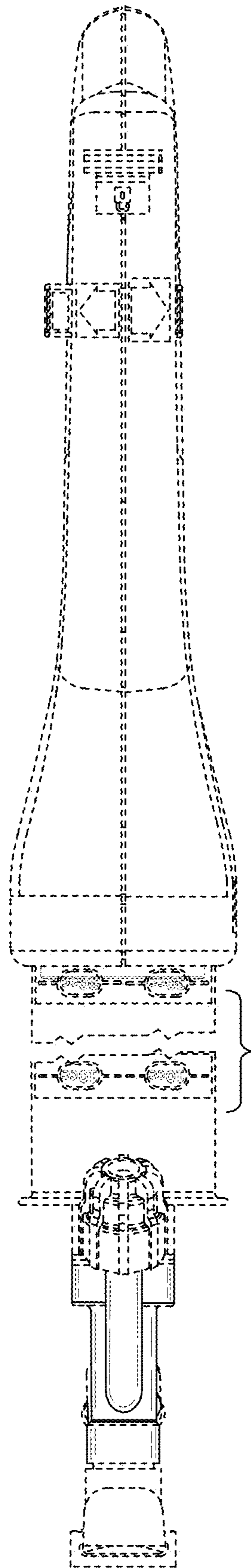


FIG. 12

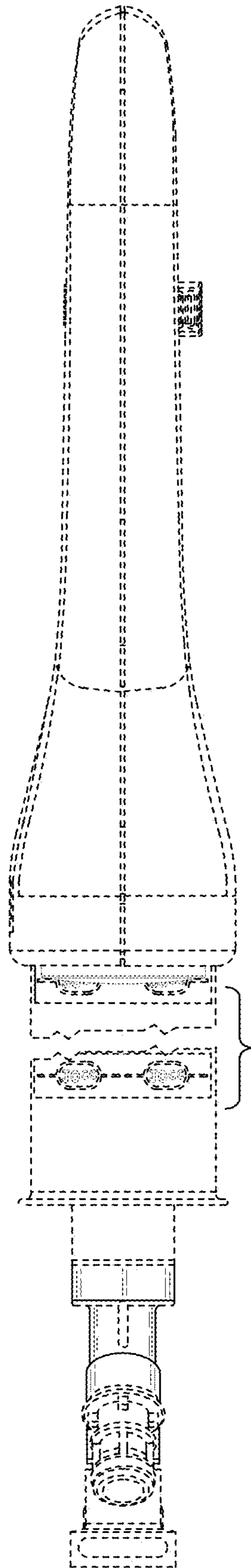


FIG. 13

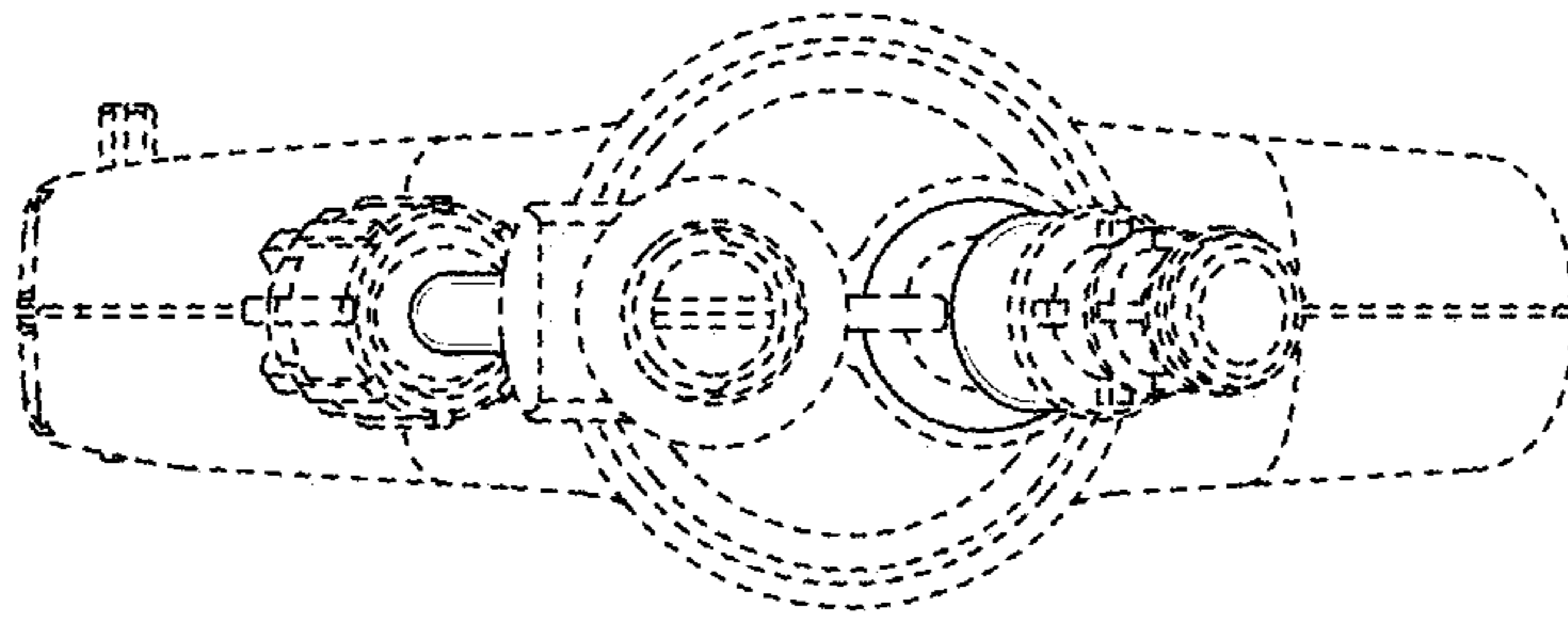


FIG. 14

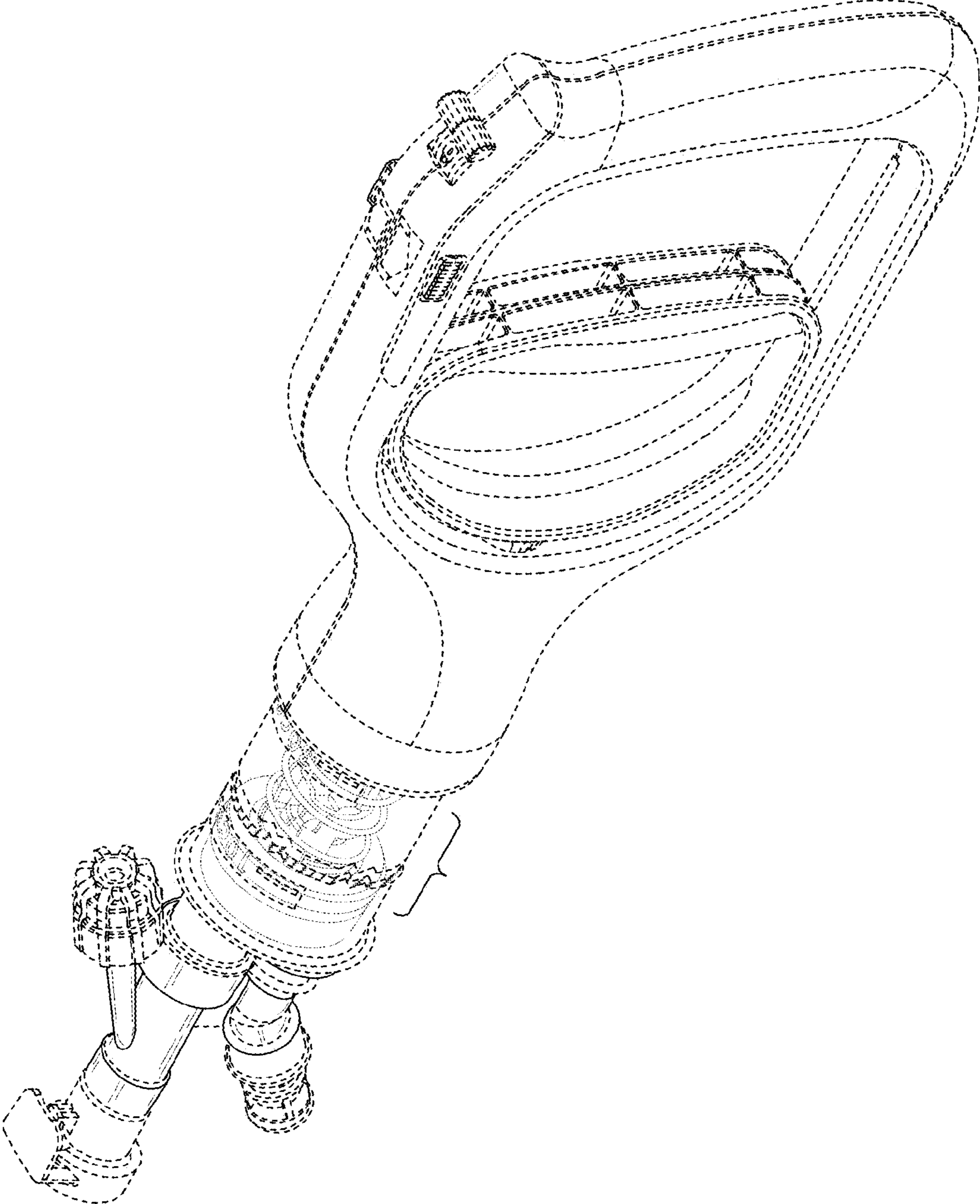


FIG. 15

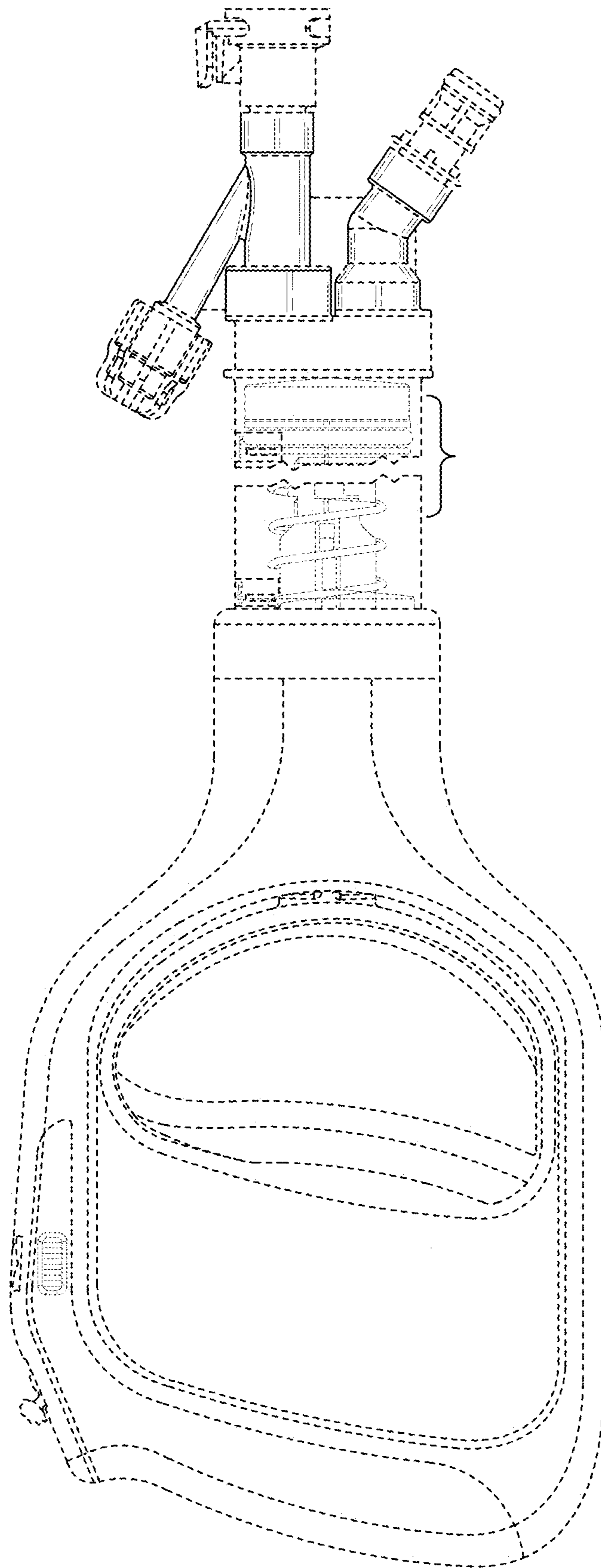


FIG. 16

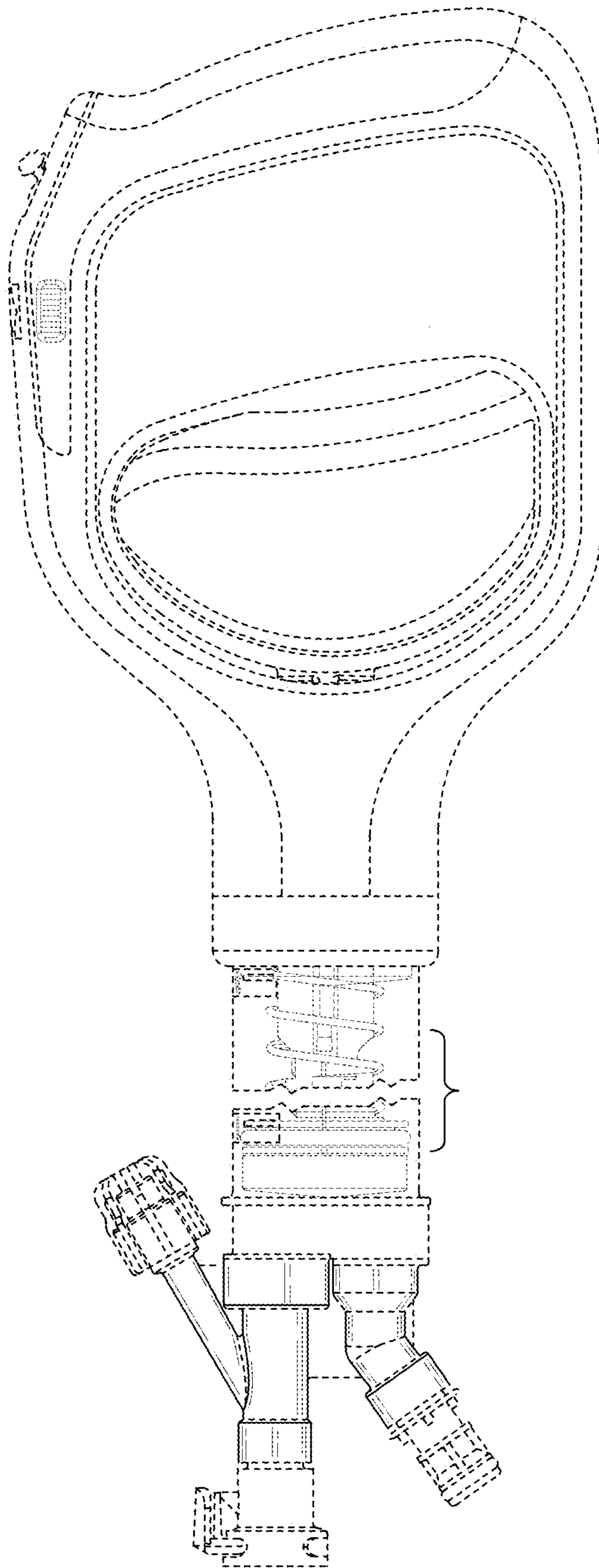


FIG. 17

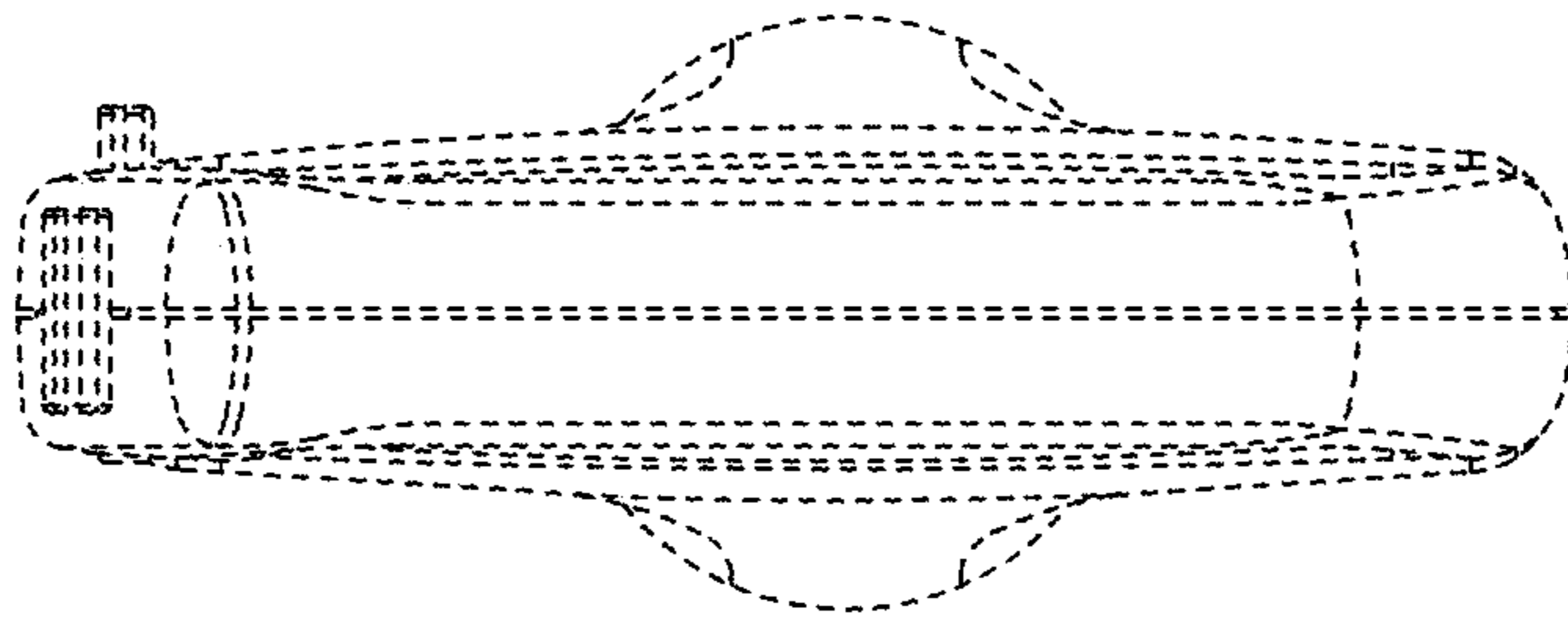


FIG. 18

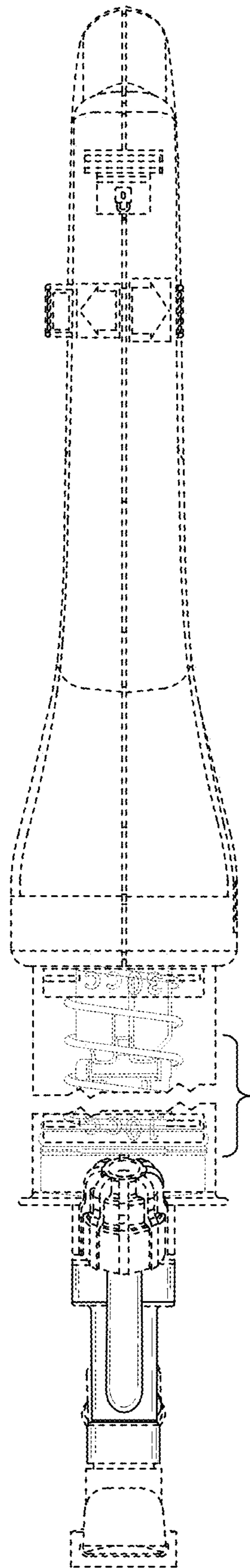


FIG. 19

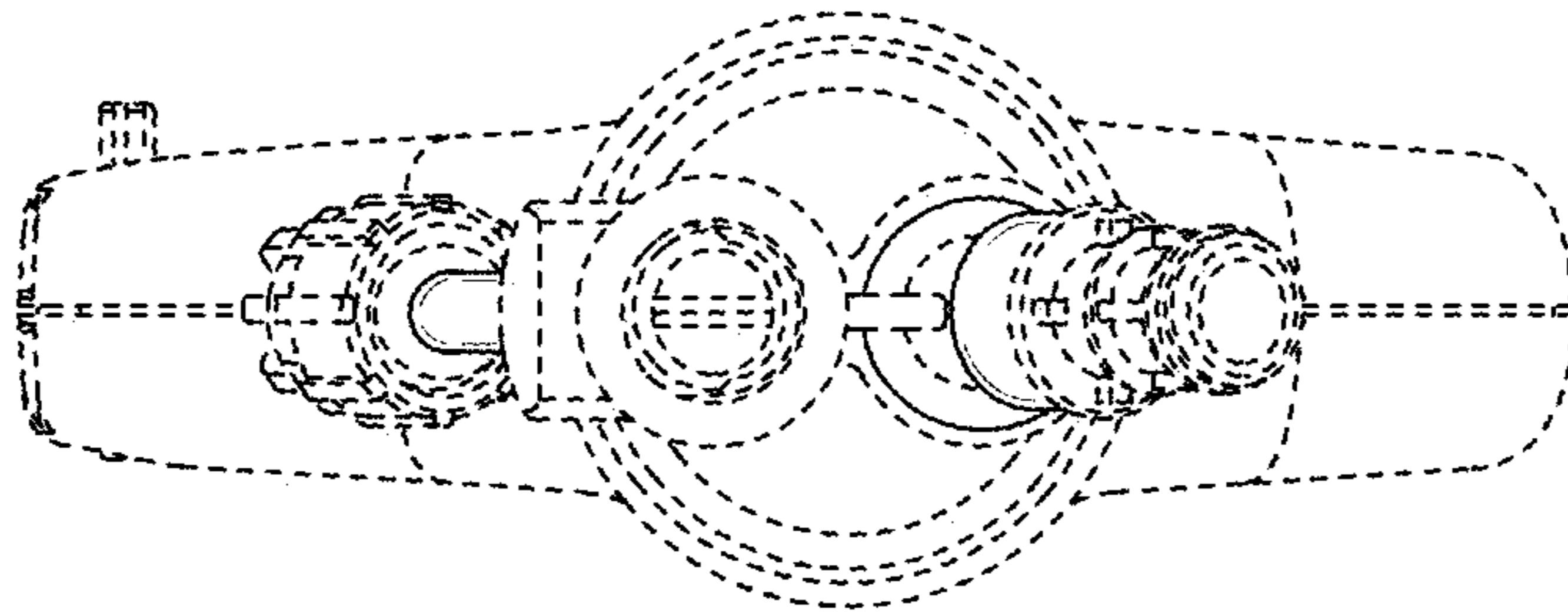


FIG. 20

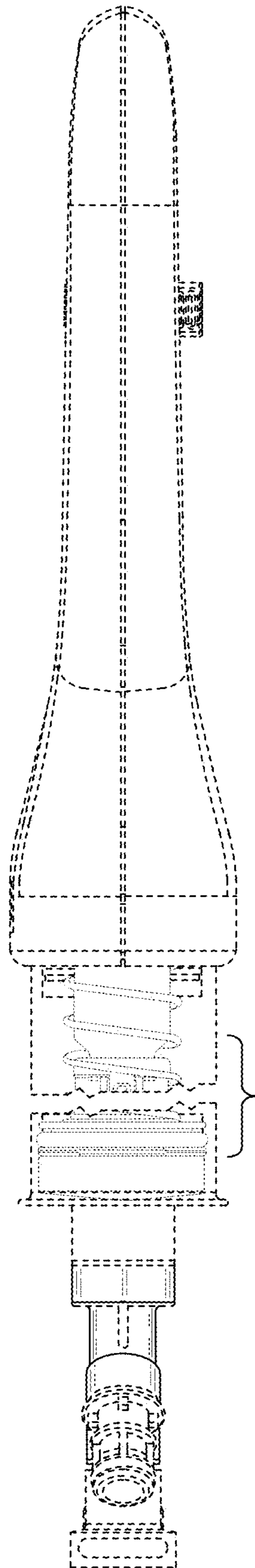


FIG. 21

UNITED STATES PATENT AND TRADEMARK OFFICE
CERTIFICATE OF CORRECTION

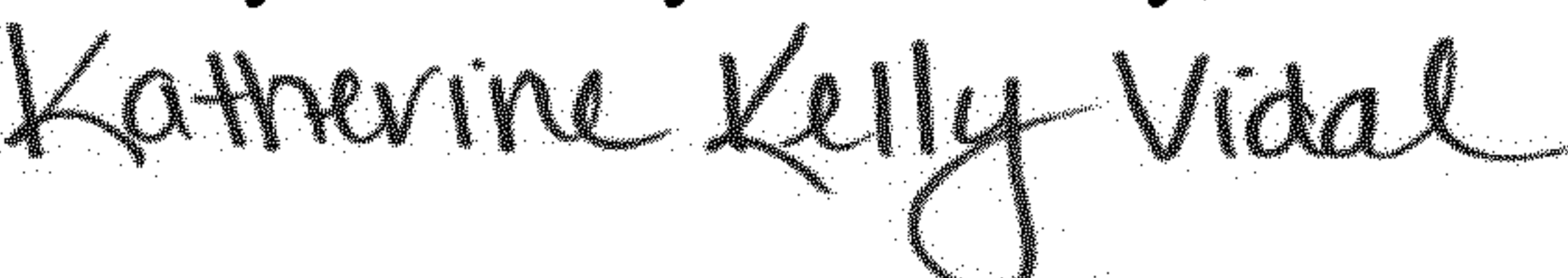
PATENT NO. : D972,720 S
APPLICATION NO. : 29/769311
DATED : December 13, 2022
INVENTOR(S) : Cote et al.

Page 1 of 1

It is certified that error appears in the above-identified patent and that said Letters Patent is hereby corrected as shown below:

On the Title Page

Item (72), Line 6, Delete "Ayan Bhandair" and insert -- Ayan Bhandari --

Signed and Sealed this
Thirty-first Day of January, 2023

Katherine Kelly Vidal
Director of the United States Patent and Trademark Office