

US00D972717S

(12) **United States Design Patent**
Son et al.

(10) **Patent No.:** **US D972,717 S**
(45) **Date of Patent:** **** Dec. 13, 2022**

(54) **COVER BAND FOR MASK TYPE AIR PURIFIERS**

(71) Applicant: **LG ELECTRONICS INC.**, Seoul (KR)

(72) Inventors: **Youngjee Son**, Seoul (KR); **Bodeung Hwang**, Seoul (KR); **Sunha Park**, Seoul (KR)

(73) Assignee: **LG ELECTRONICS INC.**, Seoul (KR)

(**) Term: **15 Years**

(21) Appl. No.: **35/514,262**

(22) Filed: **Dec. 28, 2021**

(80) **Hague Agreement Data**

Int. Filing Date: **Dec. 28, 2021**

Int. Reg. No.: **DM/220580**

Int. Reg. Date: **Dec. 28, 2021**

Int. Reg. Pub. Date: **May 13, 2022**

(30) **Foreign Application Priority Data**

Jul. 12, 2021 (KR) 30-2021-0033081

(51) **LOC (13) Cl.** **29-02**

(52) **U.S. Cl.**
USPC **D24/110.1**

(58) **Field of Classification Search**
USPC D24/110.1, 110.2, 110.4, 128; D29/108;
D2/627, 974
CPC A62B 23/025; A62B 18/08; A41D 13/1161
See application file for complete search history.

(56) **References Cited**

U.S. PATENT DOCUMENTS

D383,537 S * 9/1997 Lunden D24/110.1
D530,418 S * 10/2006 Henry D24/110.1

D612,588 S * 3/2010 Feller D2/974
D681,881 S * 5/2013 Pong D29/108
D761,415 S * 7/2016 Walker D24/110.1
D762,846 S * 8/2016 Fehr D24/110.1
D767,754 S * 9/2016 Danford D24/110.1
D831,192 S * 10/2018 Park D24/110.1
D837,456 S * 1/2019 Andrews D29/108
D849,235 S * 5/2019 Siew D24/110.1
10,322,312 B1 * 6/2019 Danford A62B 23/025
D885,559 S * 5/2020 Gabriel D29/108
D885,677 S * 5/2020 Acosta D29/108
D897,524 S * 9/2020 Siew D24/110.4
D897,606 S * 9/2020 Oliver D29/108
D905,847 S * 12/2020 Orman D29/108
D912,240 S * 3/2021 Butler D24/110.1
D925,725 S * 7/2021 Kim D24/110.1
D934,412 S * 10/2021 Zeng D24/110.1
D935,012 S * 11/2021 Chung D24/110.1
D936,208 S * 11/2021 Bindhammer D29/108

(Continued)

Primary Examiner — Rhea Shields

(74) *Attorney, Agent, or Firm* — Birch, Stewart, Kolasch & Birch, LLP

(57) **CLAIM**

The ornamental design for a cover band for mask type air purifiers, as shown and described.

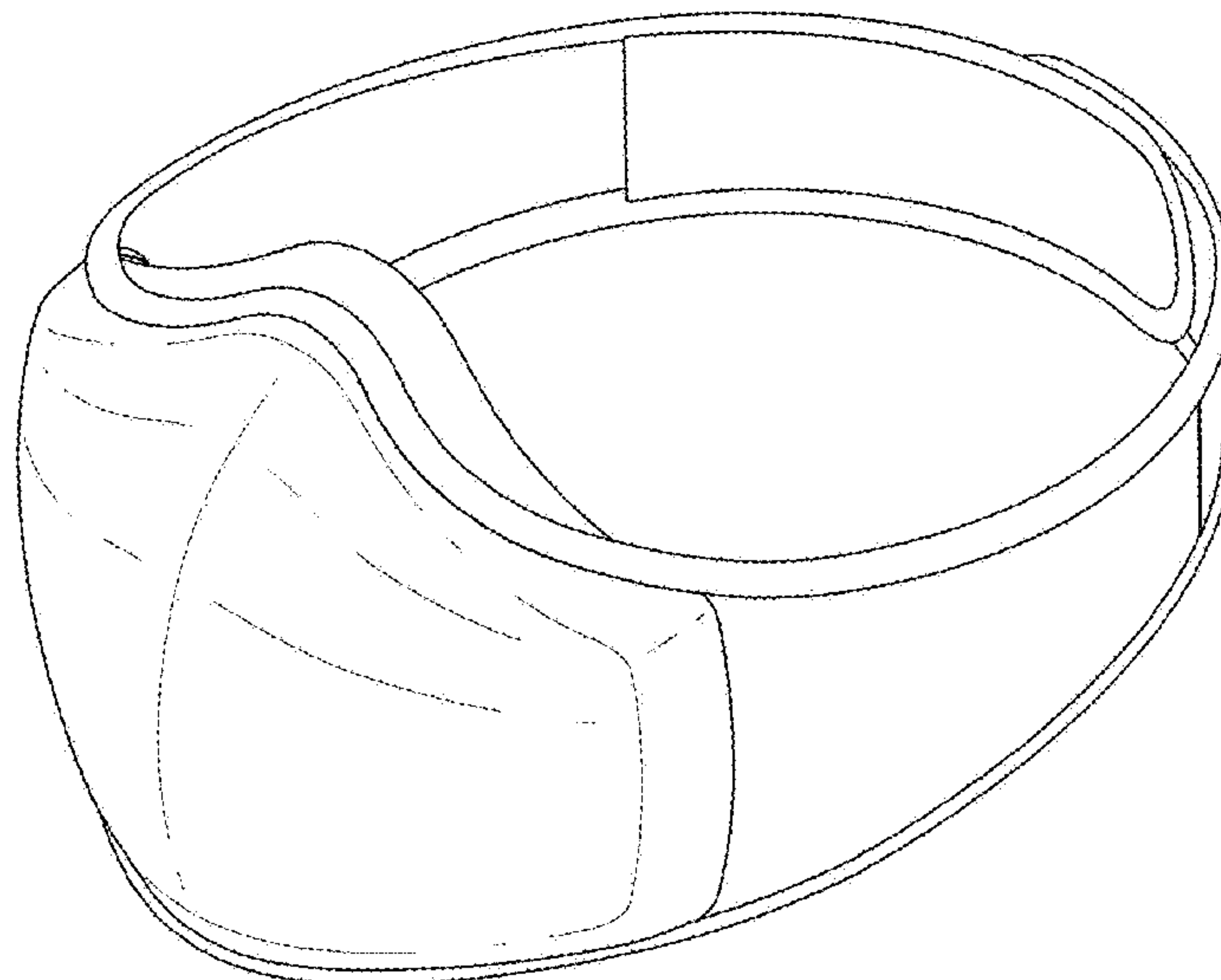
DESCRIPTION

1. Cover band for mask type air purifiers

- 1.1 : Perspective
- 1.2 : Rear perspective view
- 1.3 : Front
- 1.4 : Back
- 1.5 : Left
- 1.6 : Right
- 1.7 : Top
- 1.8 : Bottom

The subject design is a cover band that can wrap and fix a mask-type air purifier, and uses the band around the neck to relieve the weight felt on the ears and face.

1 Claim, 8 Drawing Sheets



(56)

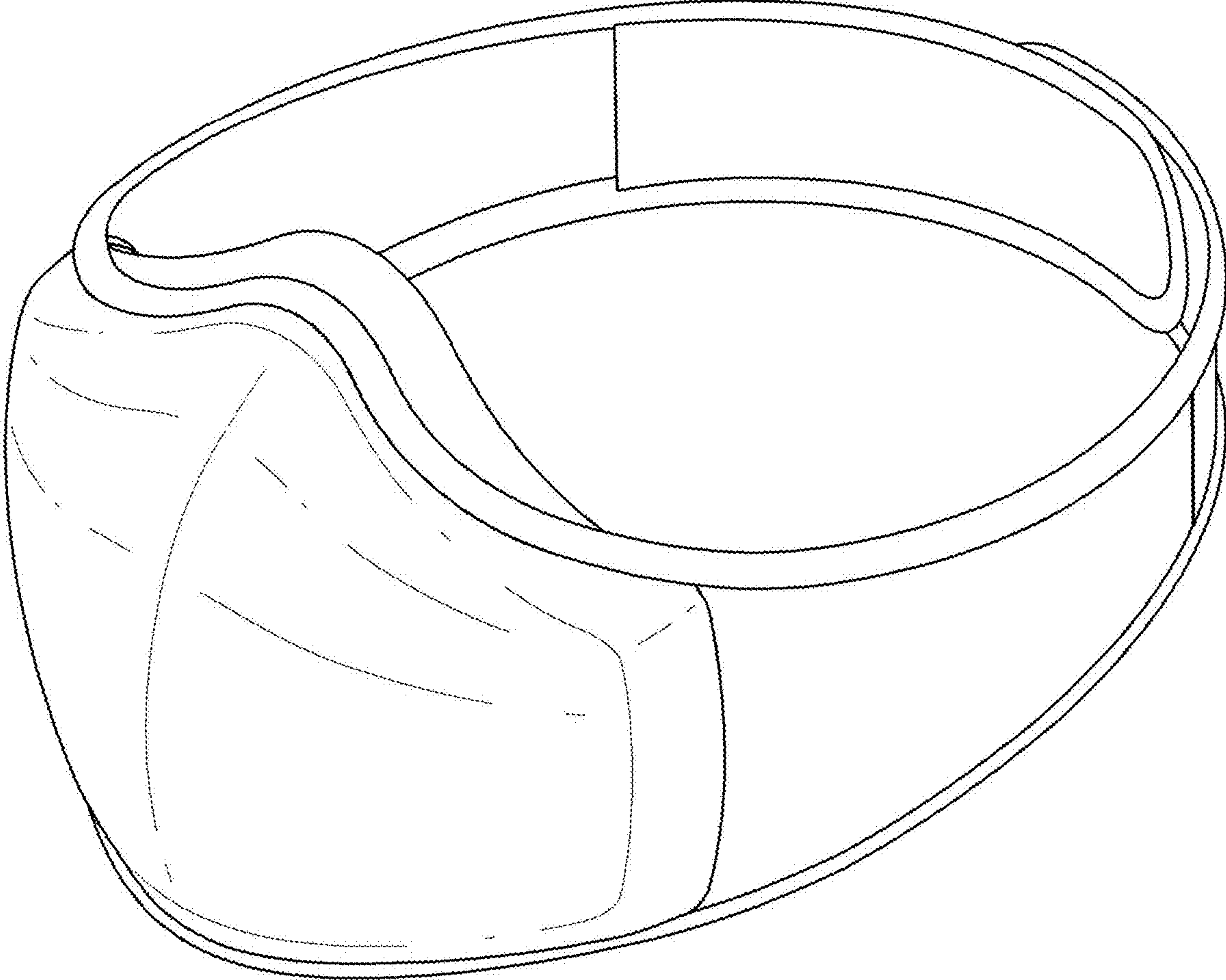
References Cited

U.S. PATENT DOCUMENTS

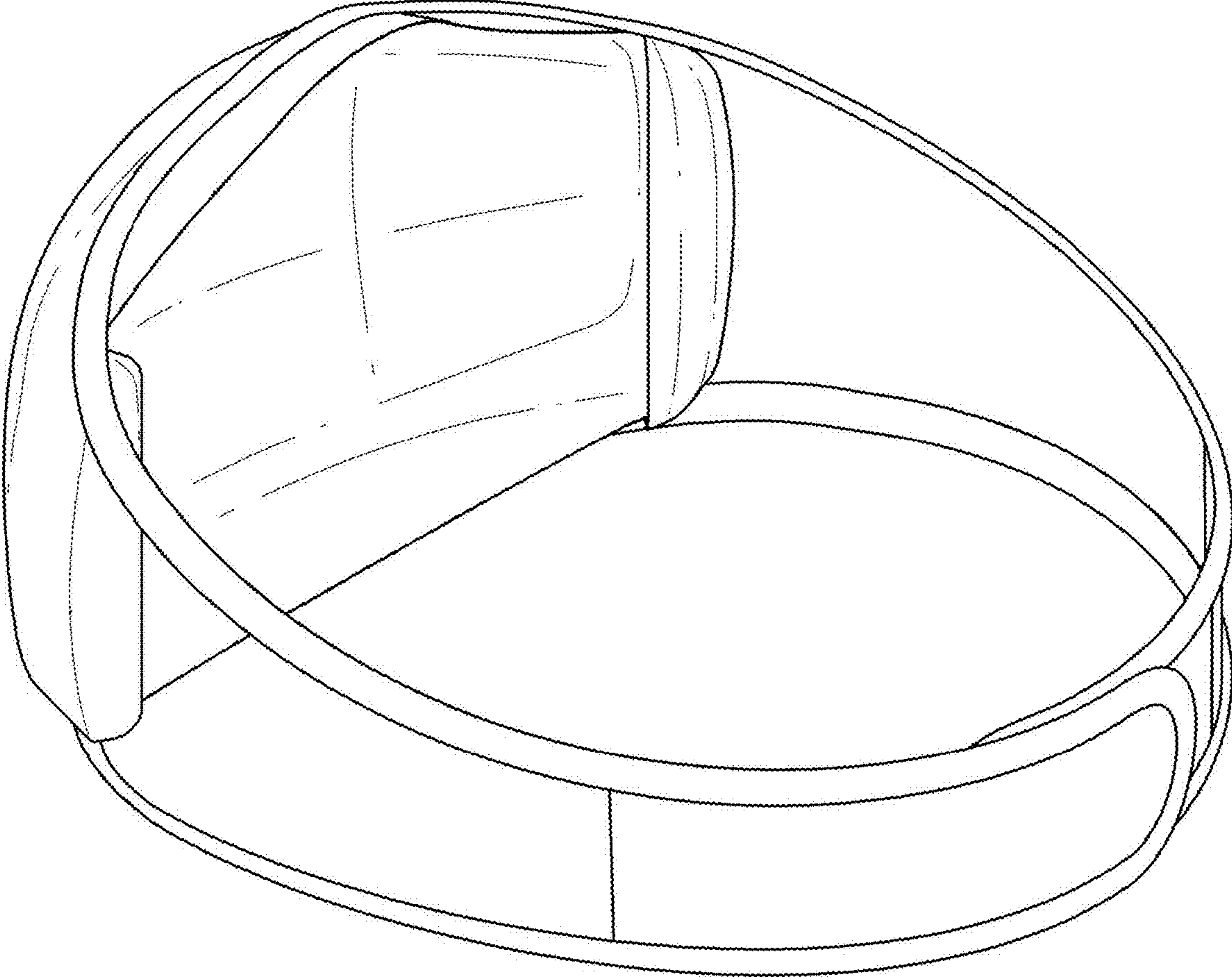
D936,906 S * 11/2021 Xin D29/108
D944,489 S * 3/2022 Wexelbaum D2/627
D955,569 S * 6/2022 Weighill D24/128
D958,324 S * 7/2022 Koller, III D29/108
D958,383 S * 7/2022 Yoon D24/110.2
D959,643 S * 8/2022 Kim D29/108
D961,762 S * 8/2022 Maggio D24/110.1
D962,421 S * 8/2022 Kim D24/110.1
D963,157 S * 9/2022 Kim D29/108
D963,839 S * 9/2022 Kim D24/110.1
2021/0378326 A1* 12/2021 Choi A62B 18/08
2022/0015469 A1* 1/2022 Markarian A41D 13/1161

* cited by examiner

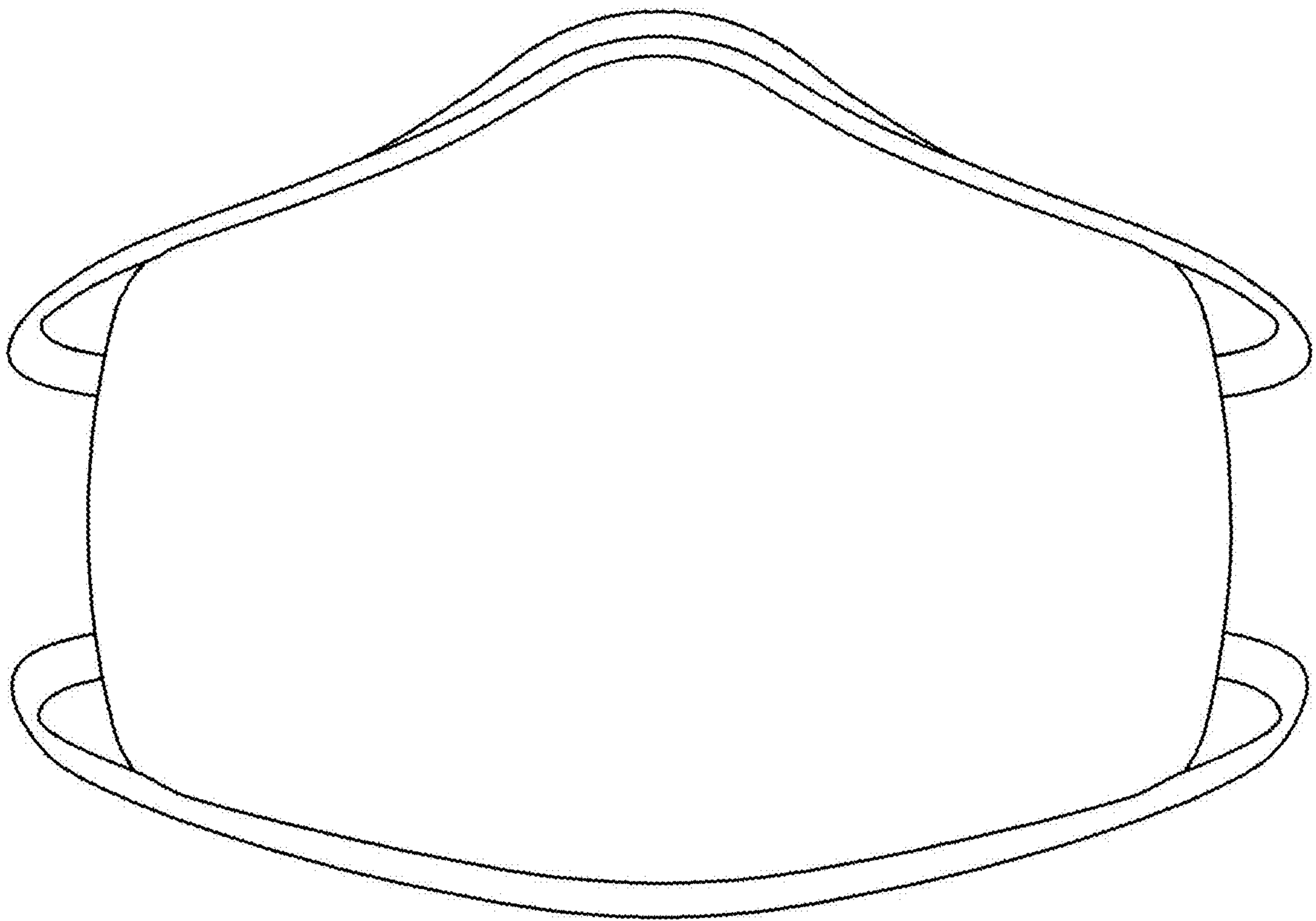
1.1



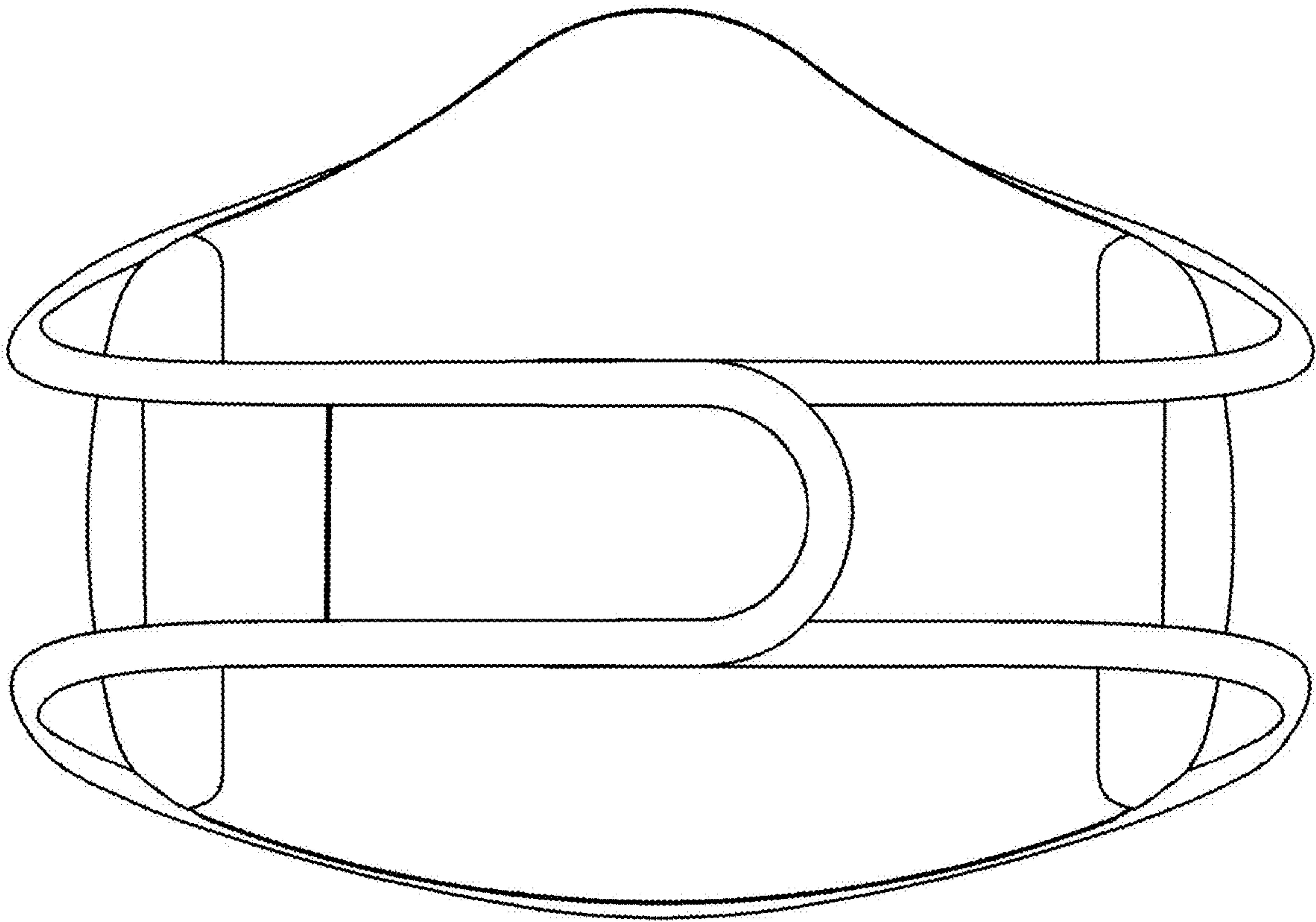
1.2



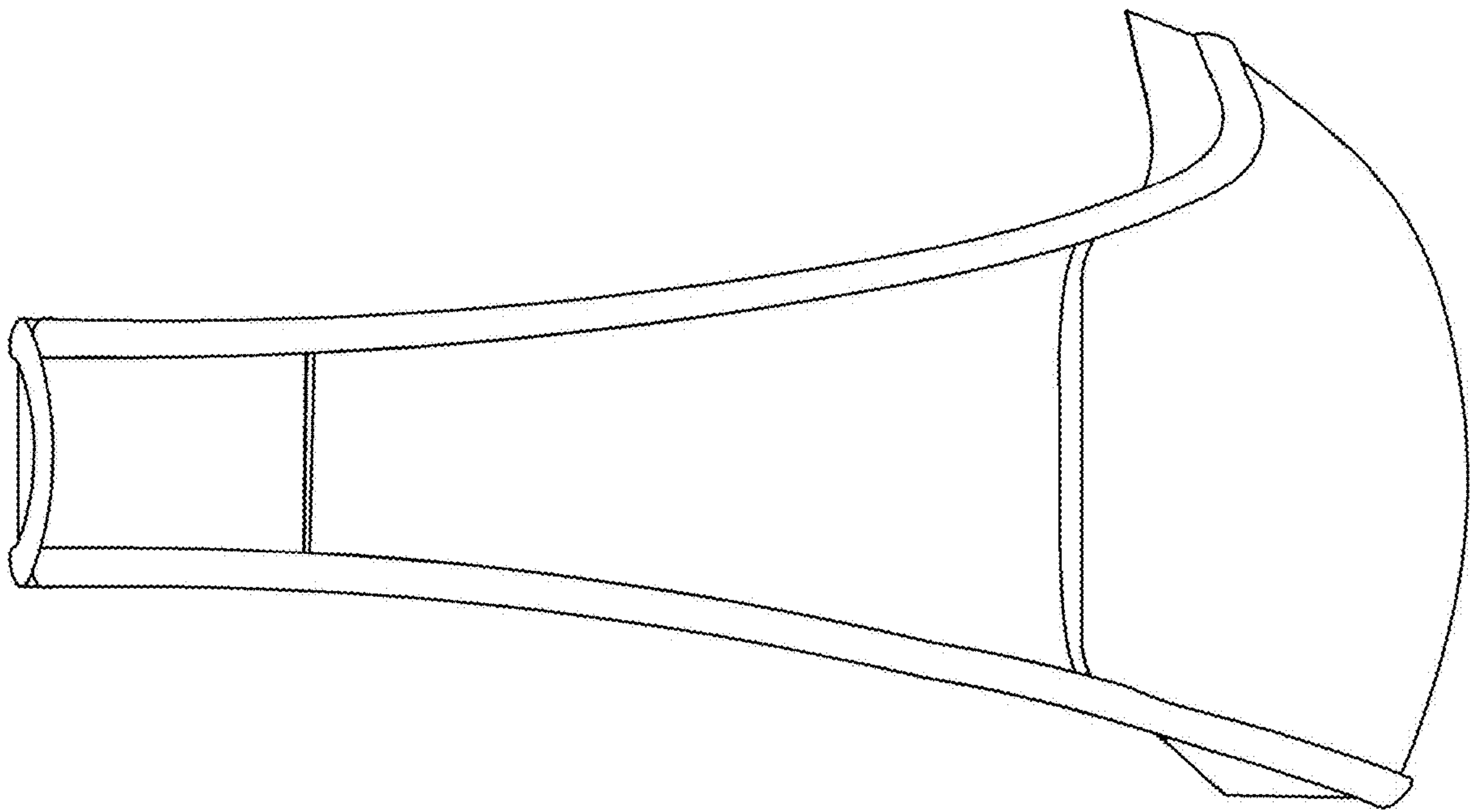
1.3



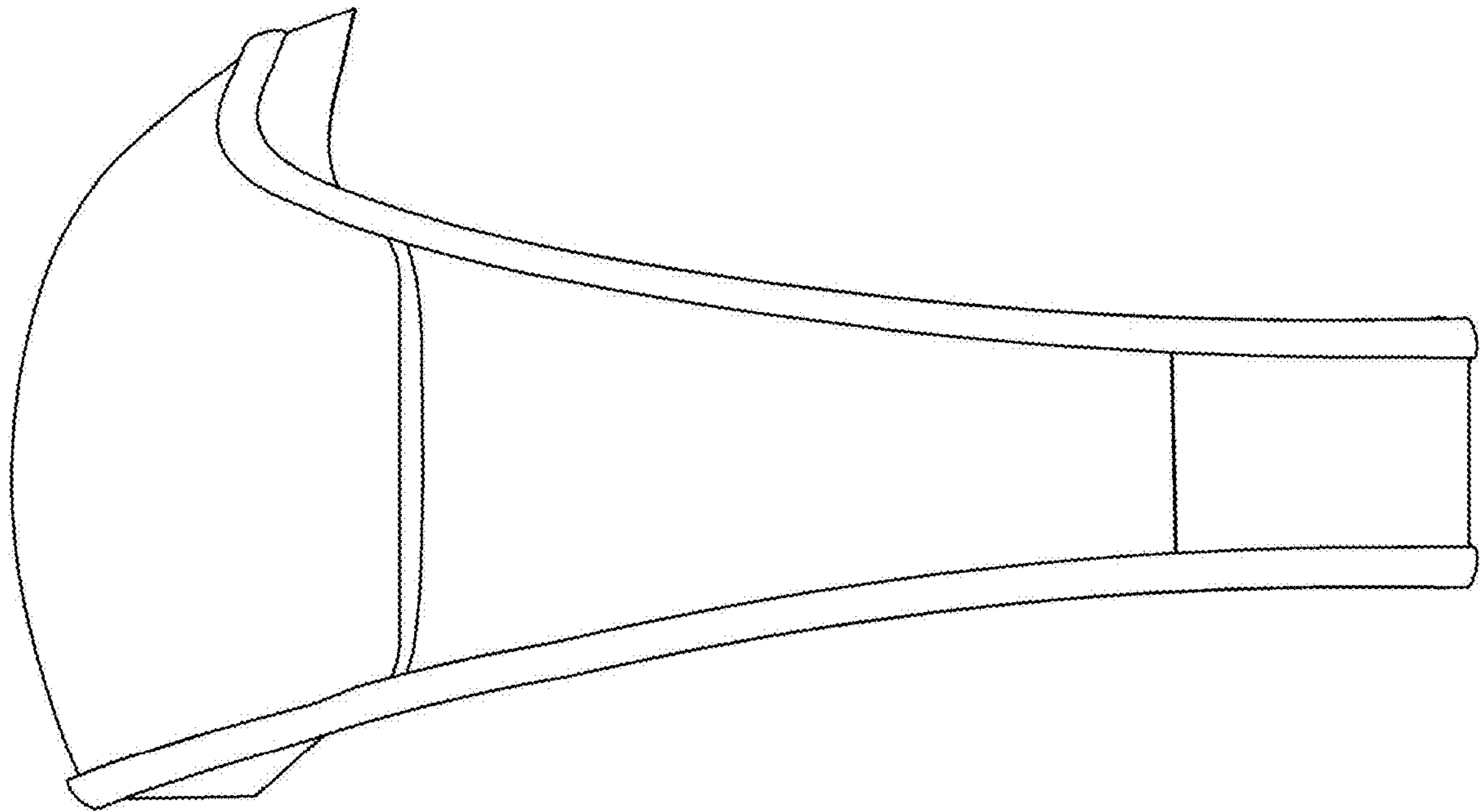
1.4



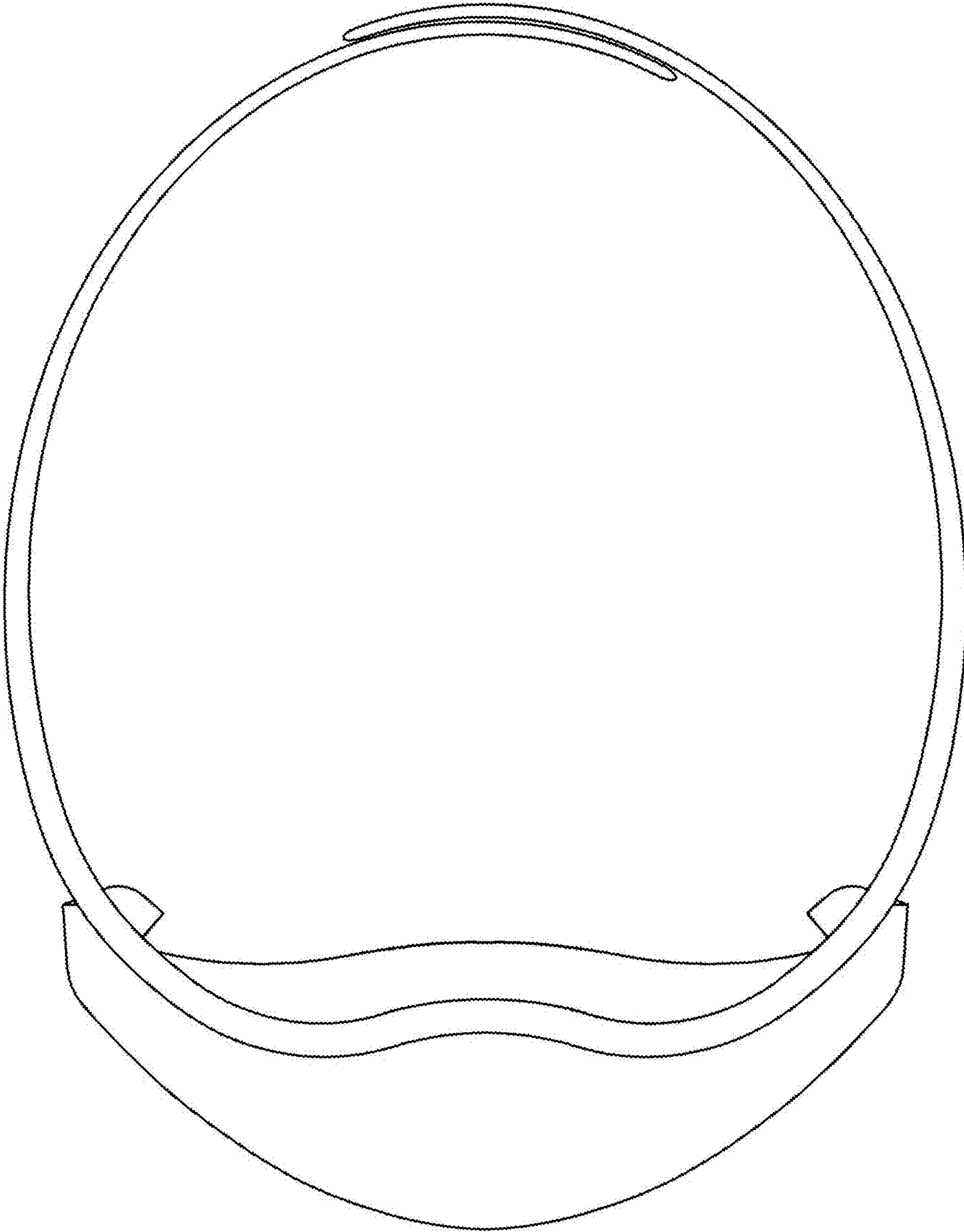
1.5



1.6



1.7



1.8

