



US00D972714S

(12) **United States Design Patent**  
**Chang et al.**

(10) **Patent No.:** **US D972,714 S**

(45) **Date of Patent:** **\*\* Dec. 13, 2022**

(54) **NEBULIZER**  
(71) Applicant: **HCMed Innovations Co., LTD., Taipei (TW)**  
(72) Inventors: **Chia-Chien Chang, New Taipei (TW); Yuan-Ming Hsu, New Taipei (TW); Wen-Yu Tsai, Taipei (TW); Chieh-Sheng Cheng, Taipei (TW)**

D889,635 S \* 7/2020 Mitchell ..... D24/110  
D900,304 S \* 10/2020 Xia ..... D24/110  
D905,846 S \* 12/2020 Mitchell ..... D24/110  
D910,824 S \* 2/2021 Zhao ..... D23/360  
D928,934 S \* 8/2021 Lin ..... D24/110  
D928,935 S \* 8/2021 Li ..... D24/110  
D932,613 S \* 10/2021 Puhalla ..... D24/110  
D950,705 S \* 5/2022 Zhang ..... D24/110  
D954,924 S \* 6/2022 Sun ..... D23/360  
D954,935 S \* 6/2022 Mitchell ..... D24/110  
D955,552 S \* 6/2022 Puhalla ..... D24/110

(73) Assignee: **HCMed Innovations Co., LTD., Taipei (TW)**

\* cited by examiner

(\*\*) Term: **15 Years**

*Primary Examiner* — Richard Kearney

*Assistant Examiner* — Michael Hoffman

(21) Appl. No.: **29/766,759**

(74) *Attorney, Agent, or Firm* — Li & Cai Intellectual Property Office

(22) Filed: **Jan. 19, 2021**

(30) **Foreign Application Priority Data**

Nov. 20, 2020 (TW) ..... 109306482

(51) **LOC (13) Cl.** ..... **24-04**

(52) **U.S. Cl.**  
USPC ..... **D24/110**

(58) **Field of Classification Search**  
USPC ..... D24/107, 108, 110, 110.1–110.5, 127, D24/164; D29/108  
CPC ..... A61M 15/0085; A61M 15/0005; A61M 11/005; A61M 11/00; A61M 11/02; A61M 11/04; A61M 15/001; A63B 23/18  
See application file for complete search history.

(56) **References Cited**

**U.S. PATENT DOCUMENTS**

D871,567 S \* 12/2019 Pieters ..... D24/110  
D886,278 S \* 6/2020 Lin ..... D24/110

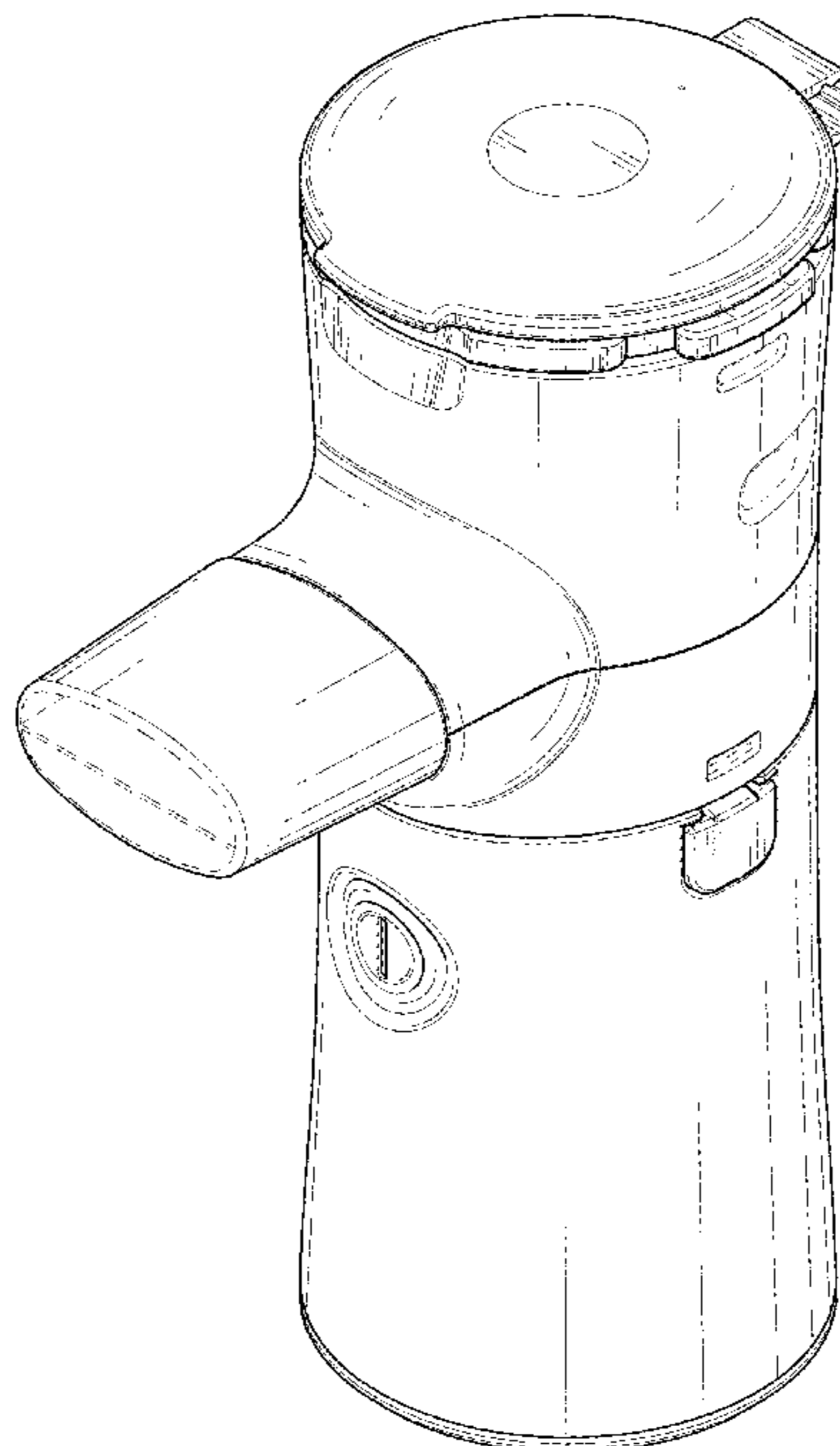
(57) **CLAIM**

The ornamental design for a nebulizer, as shown and described.

**DESCRIPTION**

FIG. 1 is a front, top, right perspective view of a nebulizer, showing the claimed design;  
FIG. 2 is a front elevational view thereof;  
FIG. 3 is a rear elevational view thereof;  
FIG. 4 is a left side elevational view thereof;  
FIG. 5 is a right side elevational view thereof;  
FIG. 6 is a top plan view thereof;  
FIG. 7 is a bottom plan view thereof; and,  
FIG. 8 is a rear, bottom, left perspective view thereof.  
The dashed broken lines in the drawing depict portions of the nebulizer that form no part of the claimed design.

**1 Claim, 8 Drawing Sheets**



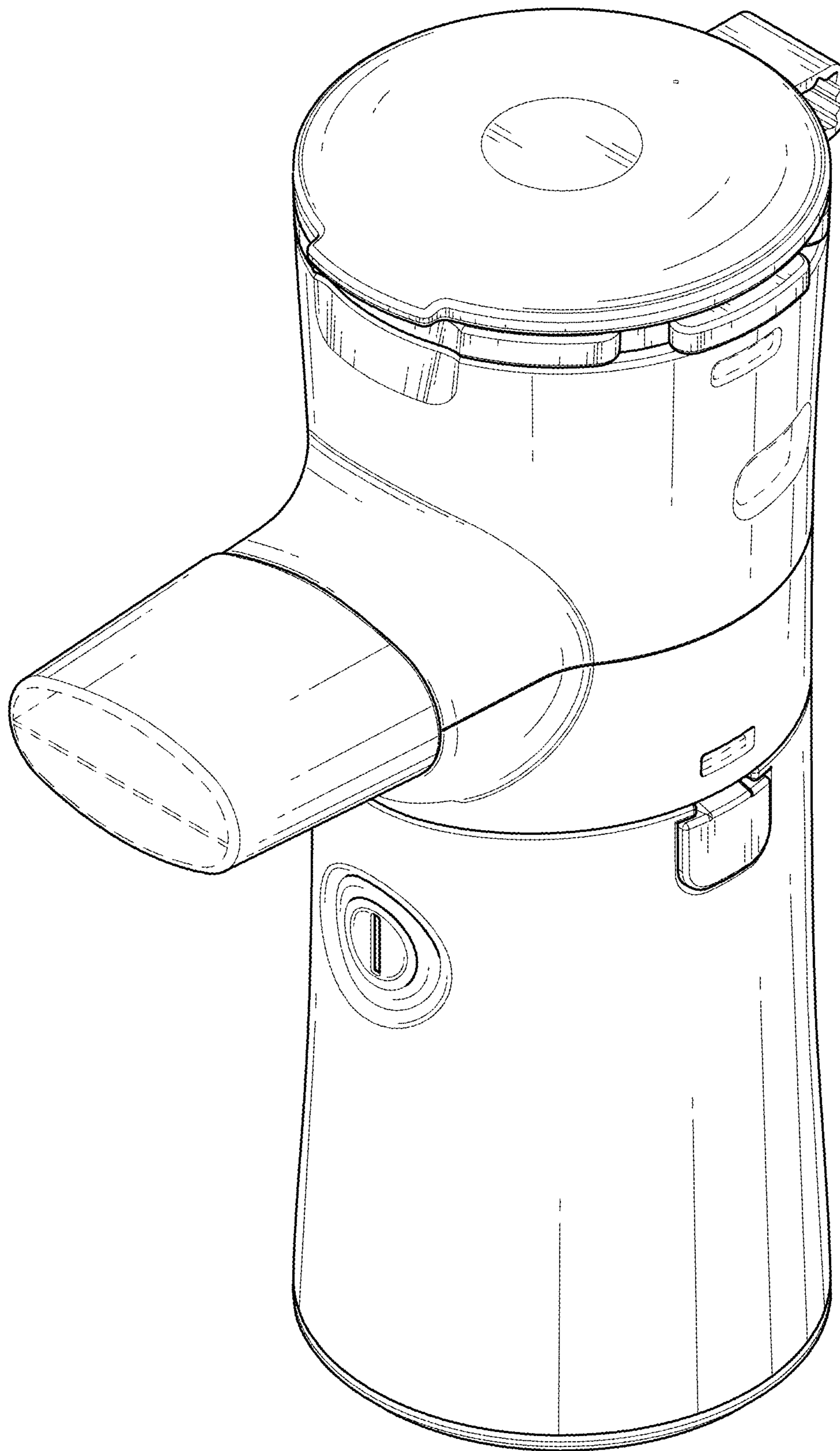


FIG. 1

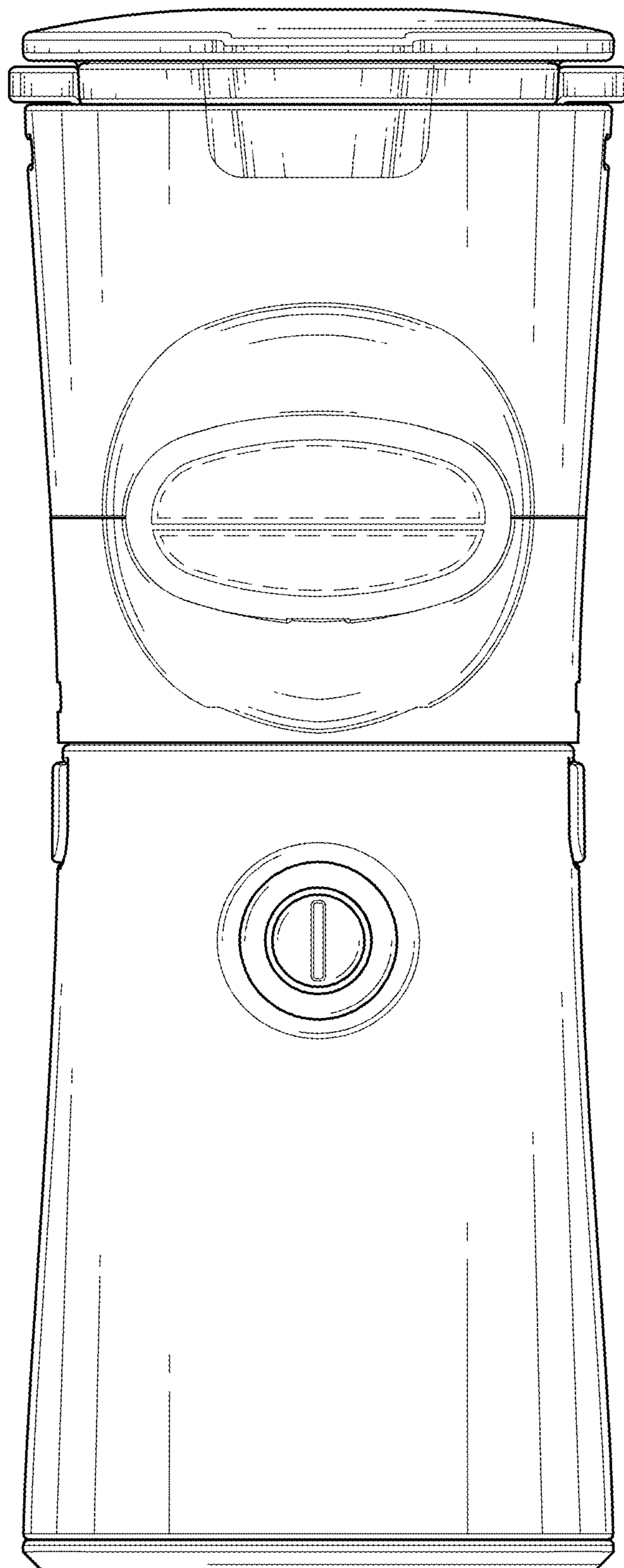


FIG. 2

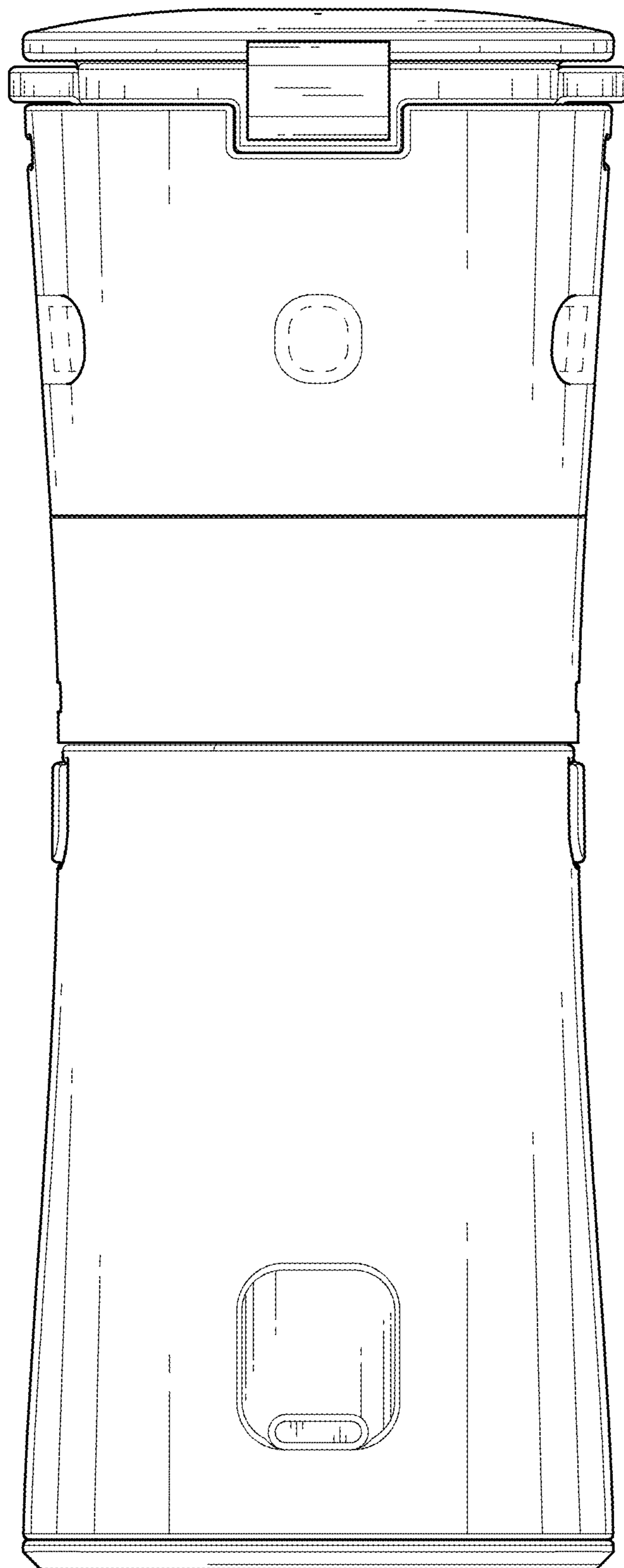


FIG. 3

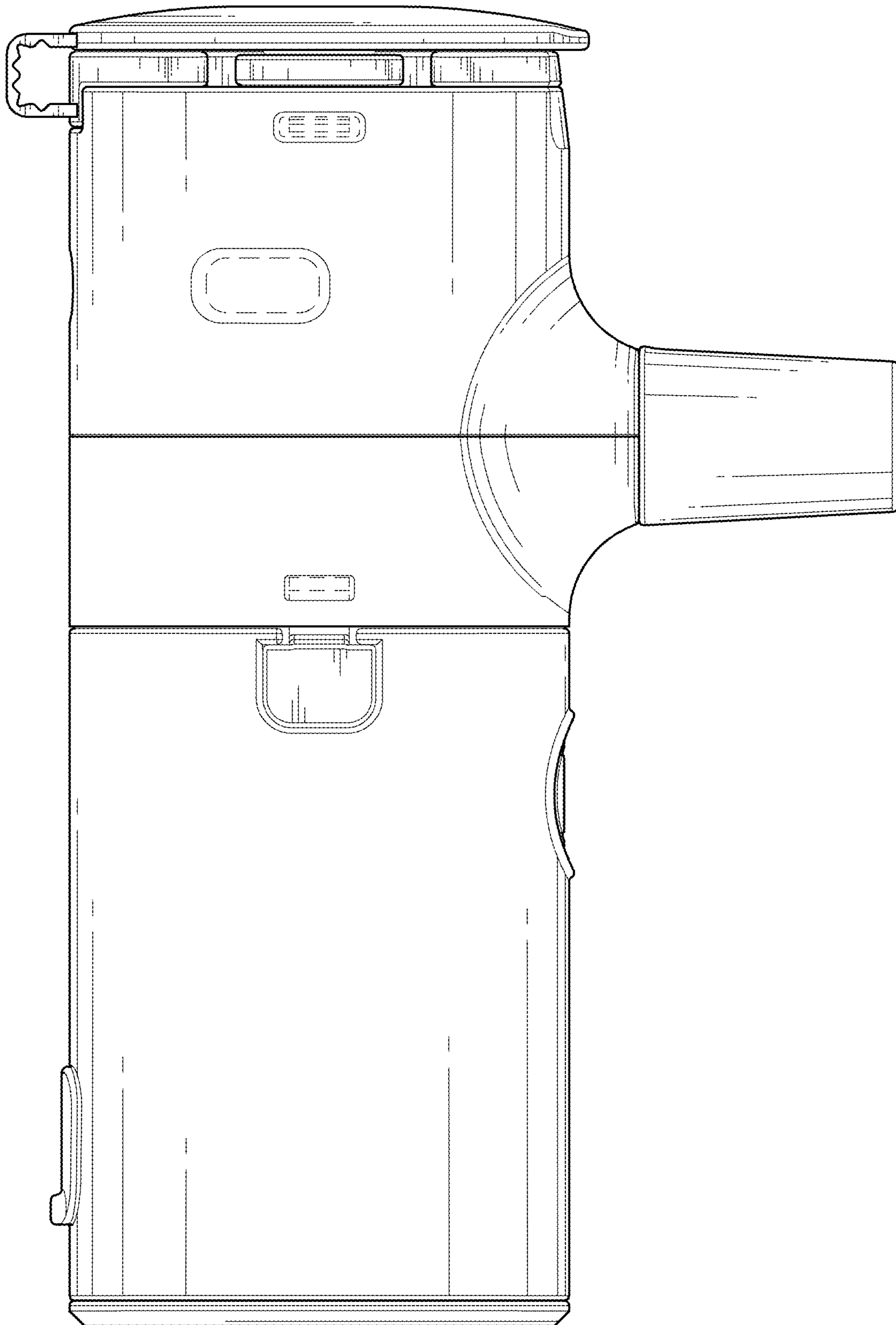


FIG. 4

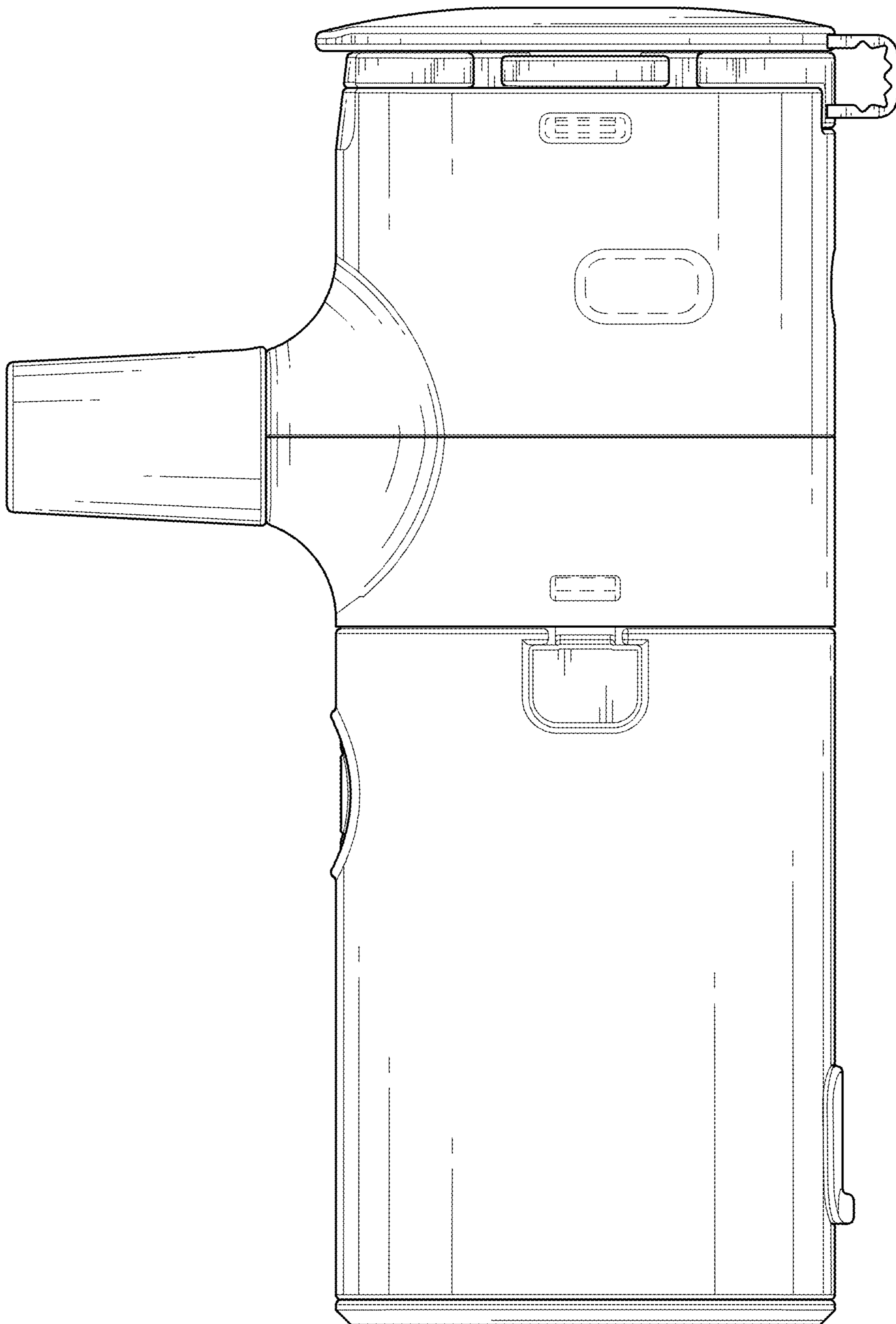


FIG. 5

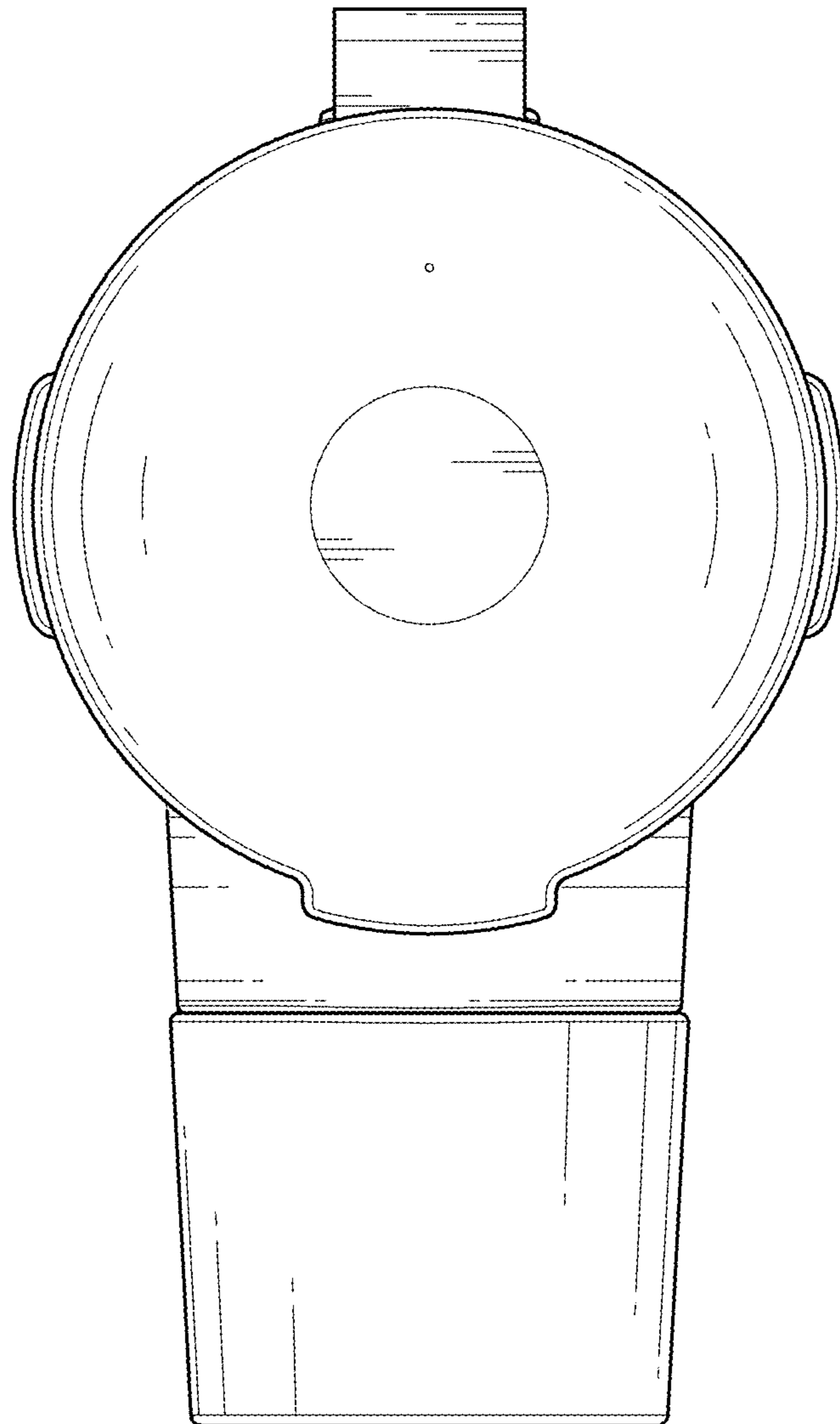


FIG. 6

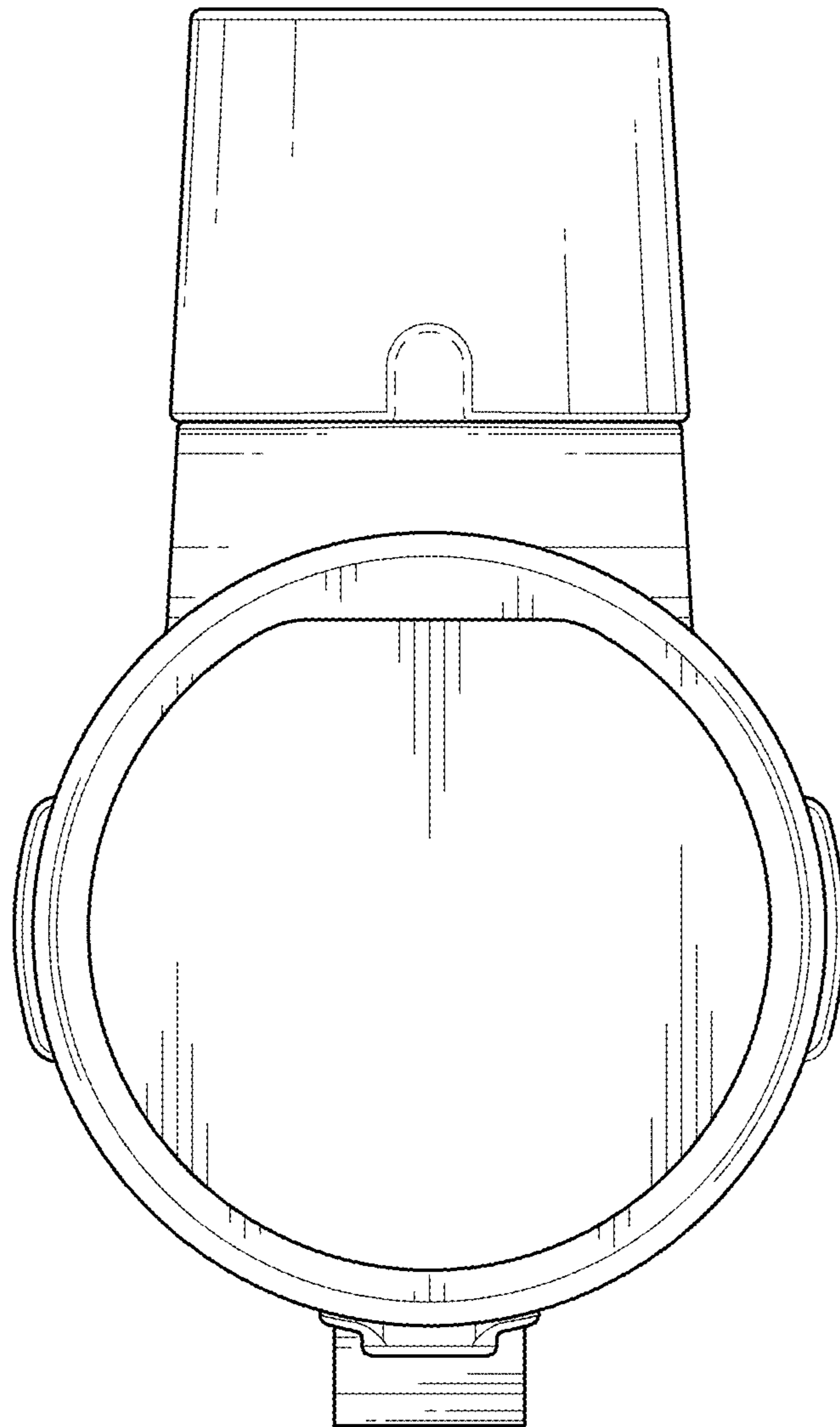


FIG. 7



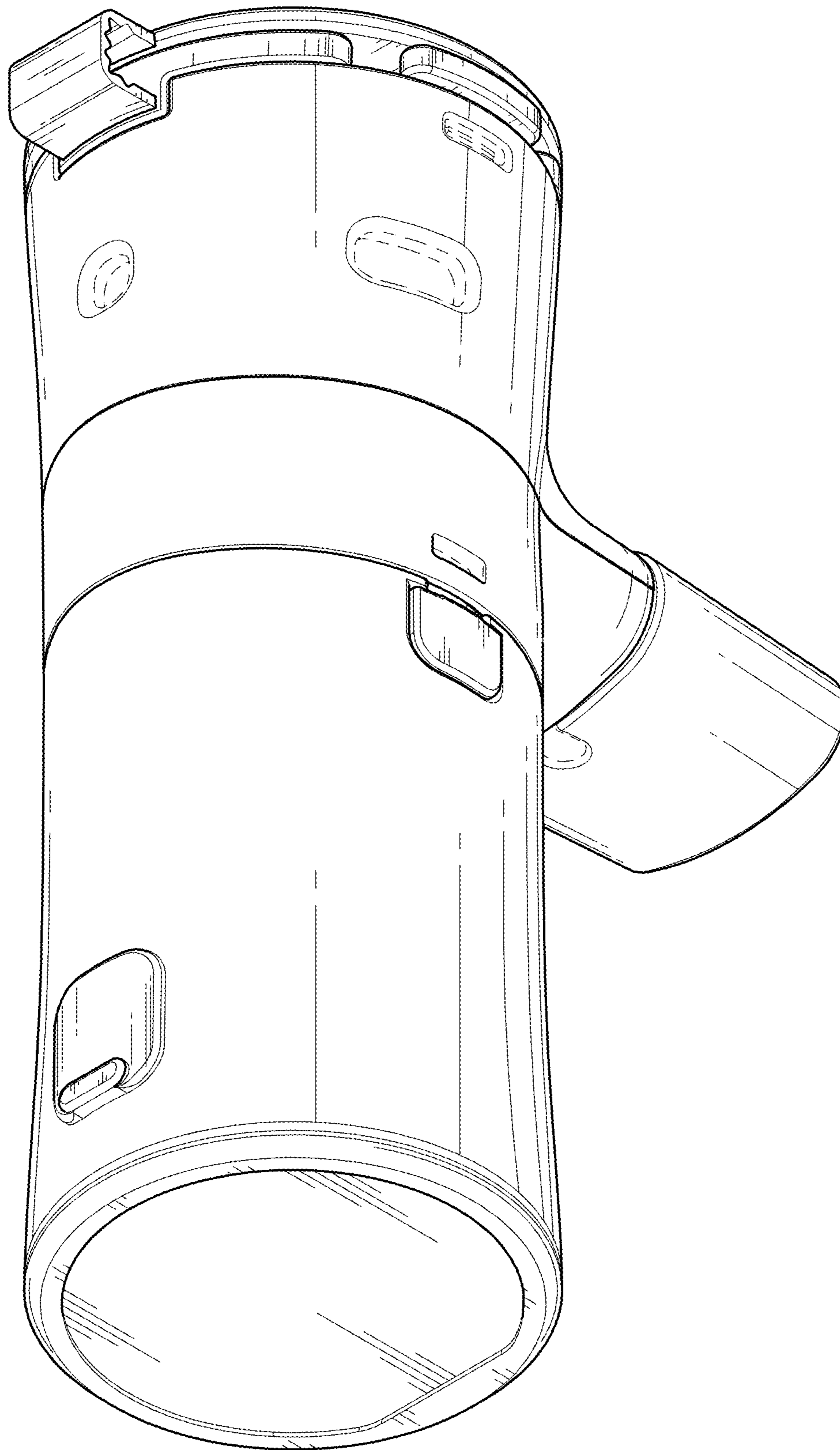


FIG. 8