



US00D972713S

(12) **United States Design Patent** (10) **Patent No.:** **US D972,713 S**
Cannan et al. (45) **Date of Patent:** **** Dec. 13, 2022**

(54) **COMPLIANCE MONITOR FOR A MEDICAMENT INHALER**

(71) Applicant: **Adherium (NZ) Limited**, Auckland (NZ)
 (72) Inventors: **Stuart Malcolm Cannan**, Auckland (NZ); **Garth Campbell Sutherland**, Auckland (NZ); **Benjamin Lance Catt**, Auckland (NZ)
 (73) Assignee: **ADHERIUM (NZ) LIMITED**, Auckland (NZ)

(**) Term: **15 Years**
 (21) Appl. No.: **29/715,481**
 (22) Filed: **Dec. 2, 2019**

Related U.S. Application Data

(63) Continuation of application No. 29/595,495, filed on Feb. 28, 2017, now abandoned.

Foreign Application Priority Data

Aug. 29, 2016 (NZ) 422000
 (51) **LOC (13) Cl.** **29-02**
 (52) **U.S. Cl.**
 USPC **D24/110**

(58) **Field of Classification Search**

USPC D24/107, 108, 110, 110.1–110.5, 127, D24/164; D29/108; 128/200.14, 200.23
 CPC A61M 15/0085; A61M 15/0005; A61M 15/00; A61M 15/0065; A61M 15/0091; A61M 15/0021; A61M 15/0026; A61M 15/008; A61M 15/007; A61M 11/005; A61M 11/00; A61M 11/02; A61M 11/04; A61M 5/087; A61M 5/0871; A61M 5/091; A61M 5/097; A63B 23/18

See application file for complete search history.

(56) **References Cited**

U.S. PATENT DOCUMENTS

5,809,997 A * 9/1998 Wolf A61M 15/009
 128/200.23
 6,202,642 B1 * 3/2001 McKinnon A61M 15/009
 128/200.14
 6,958,691 B1 * 10/2005 Anderson A61B 5/0002
 340/539.12
 8,464,707 B2 * 6/2013 Jongejan A61M 15/009
 128/200.14
 9,468,729 B2 * 10/2016 Sutherland A61M 15/0065
 D816,208 S * 4/2018 Bhide D24/110

(Continued)

Primary Examiner — Sheryl Lane
Assistant Examiner — Aula Soroush
 (74) *Attorney, Agent, or Firm* — Kenealy Vaidya LLP

(57) **CLAIM**

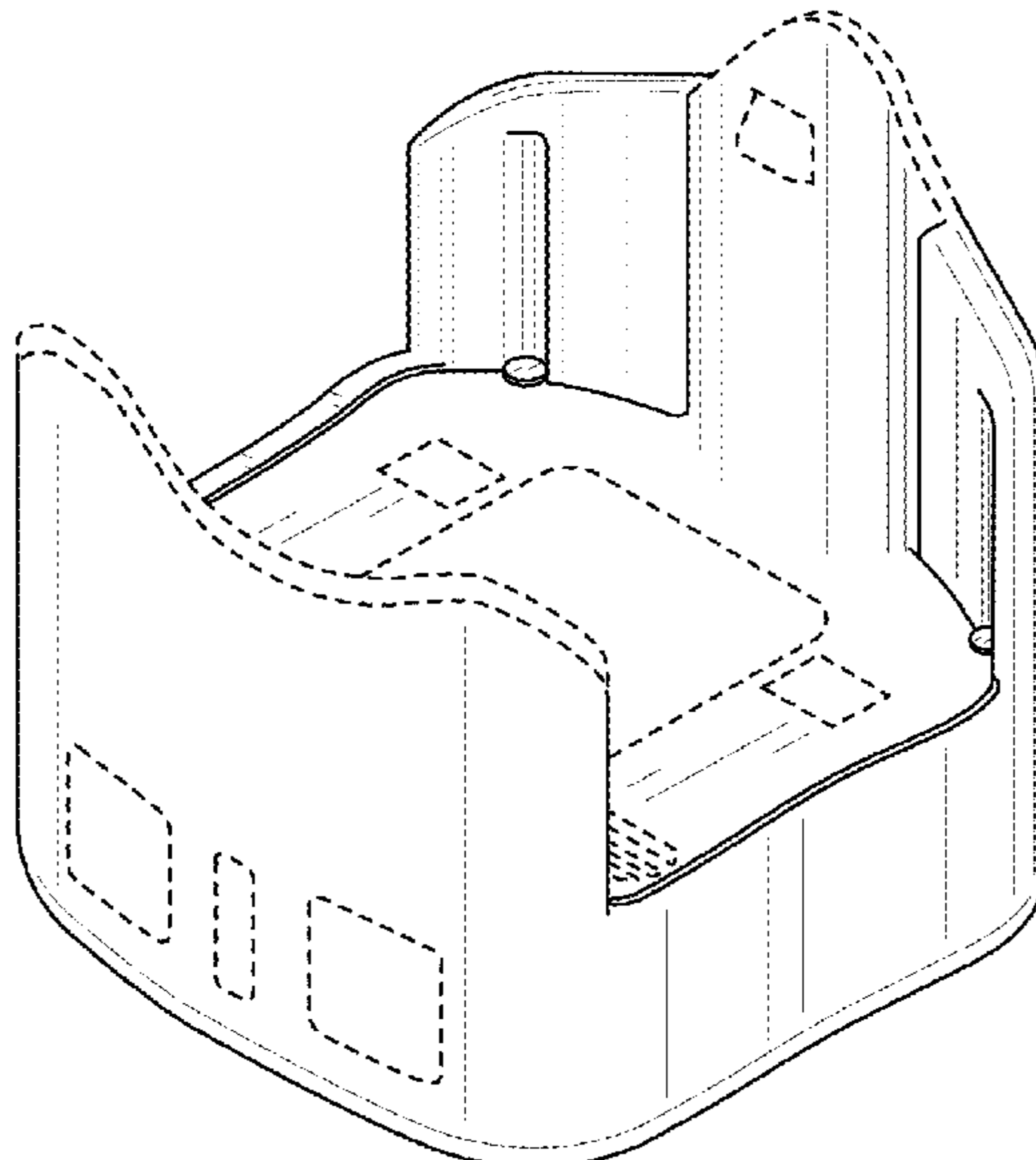
The ornamental design for a compliance monitor for a medicament inhaler, as shown and described.

DESCRIPTION

FIG. 1 is a bottom plan view of a compliance monitor for a medicament inhaler showing our new design;
 FIG. 2 is a front perspective view thereof;
 FIG. 3 is a front elevation view thereof;
 FIG. 4 is another front elevation view thereof;
 FIG. 5 is a rear elevation view thereof;
 FIG. 6 is another rear elevation view thereof;
 FIG. 7 is a side elevation view thereof; and,
 FIG. 8 is a top plan view thereof.

The broken lines immediately adjacent to the shaded surfaces are illustrative of portions of the compliance monitor for medicament inhaler and form no part of the claimed design. All other broken lines shown in FIGS. 3 and 5 illustrate the environmental structure and form no part of the claimed design.

1 Claim, 8 Drawing Sheets



(56)

References Cited

U.S. PATENT DOCUMENTS

D824,017 S * 7/2018 Warby D24/110
2005/0076904 A1* 4/2005 Jones A61M 15/009
128/200.23
2007/0091273 A1* 4/2007 Sullivan A61M 15/0065
353/31
2014/0182584 A1* 7/2014 Sutherland A61M 15/009
128/200.23
2017/0246406 A1* 8/2017 Sutherland A61M 15/0065
2017/0325734 A1* 11/2017 Sutherland G06F 19/00

* cited by examiner

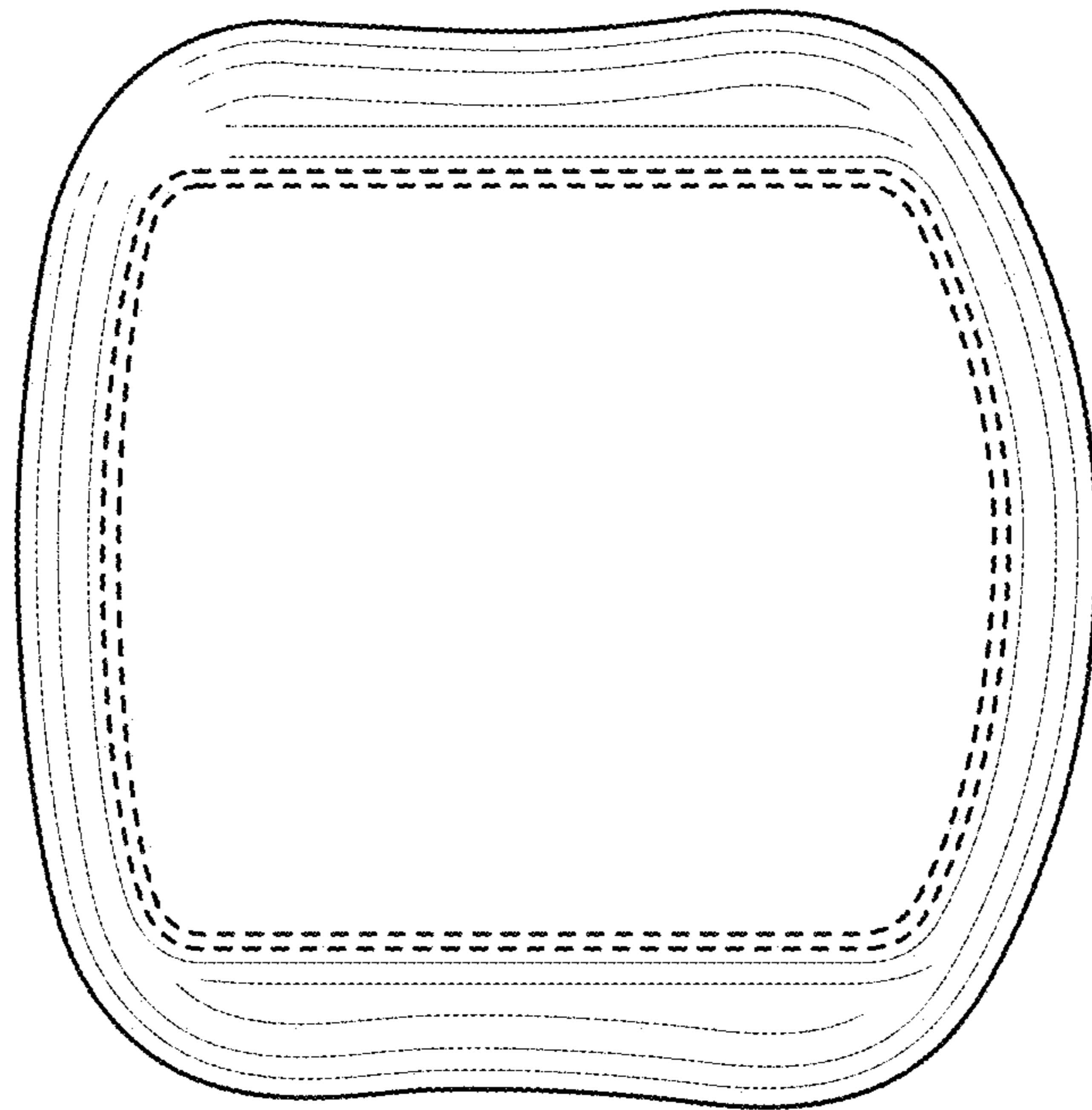


FIG. 1

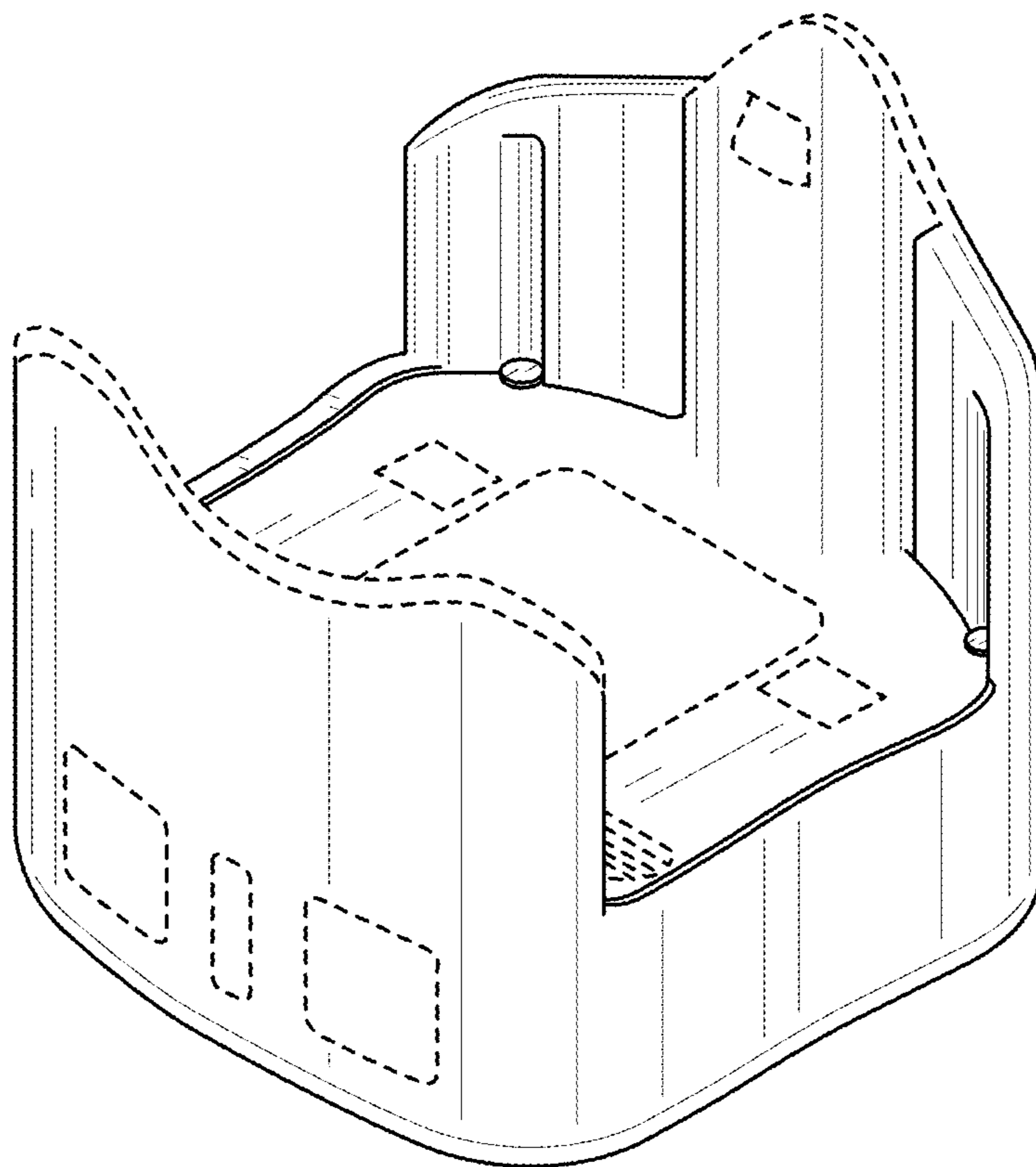


FIG. 2

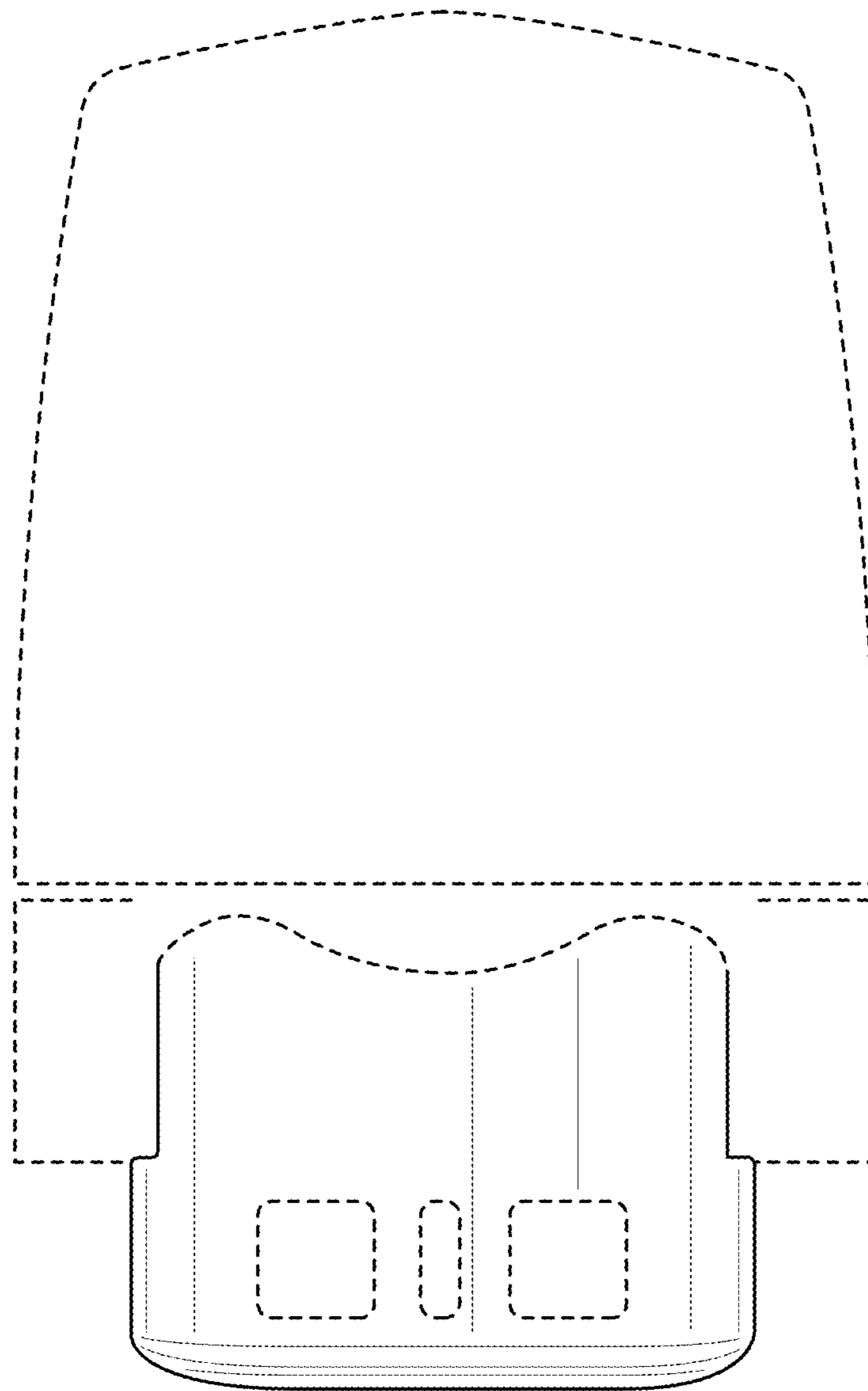


FIG. 3

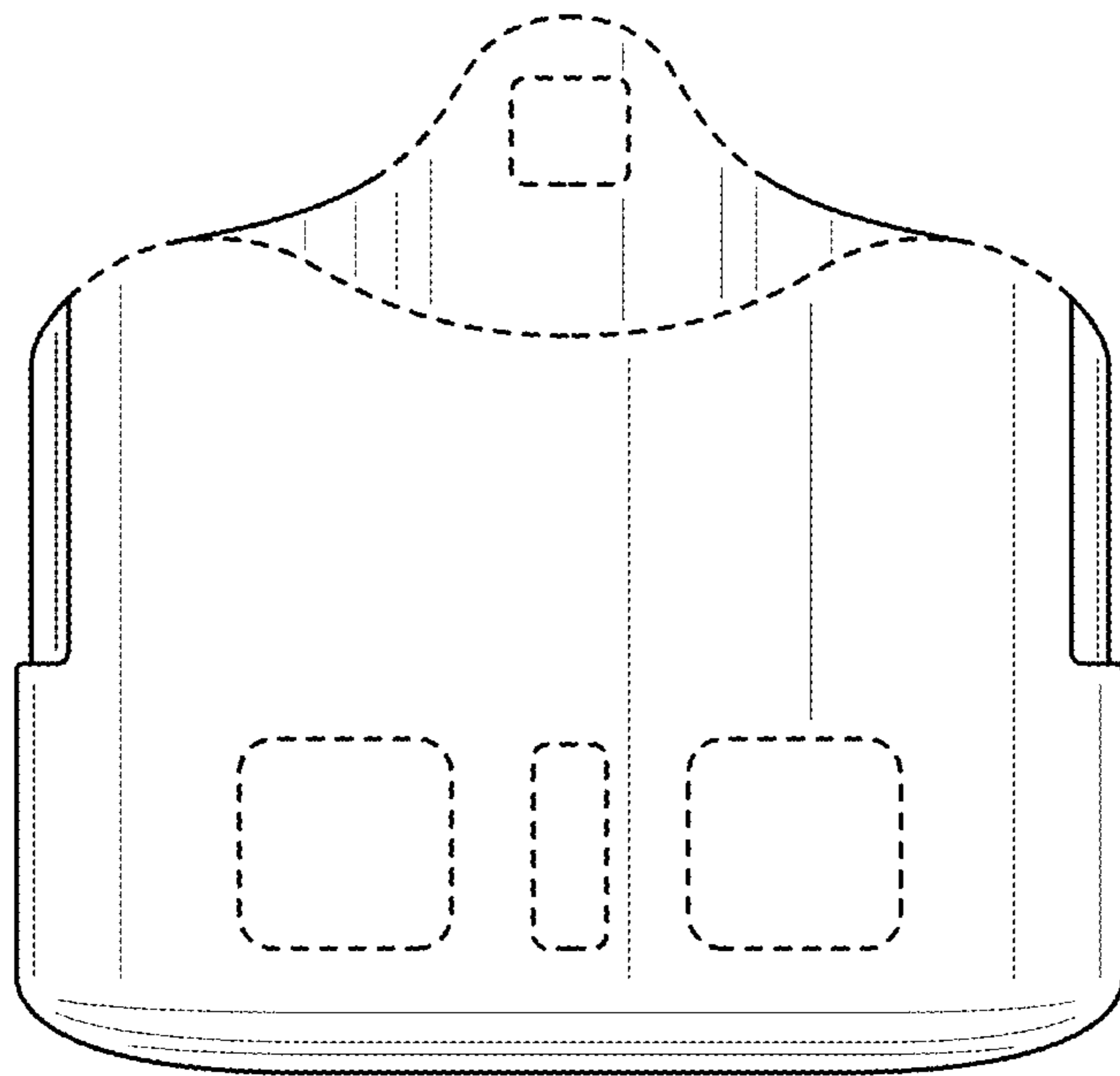


FIG. 4

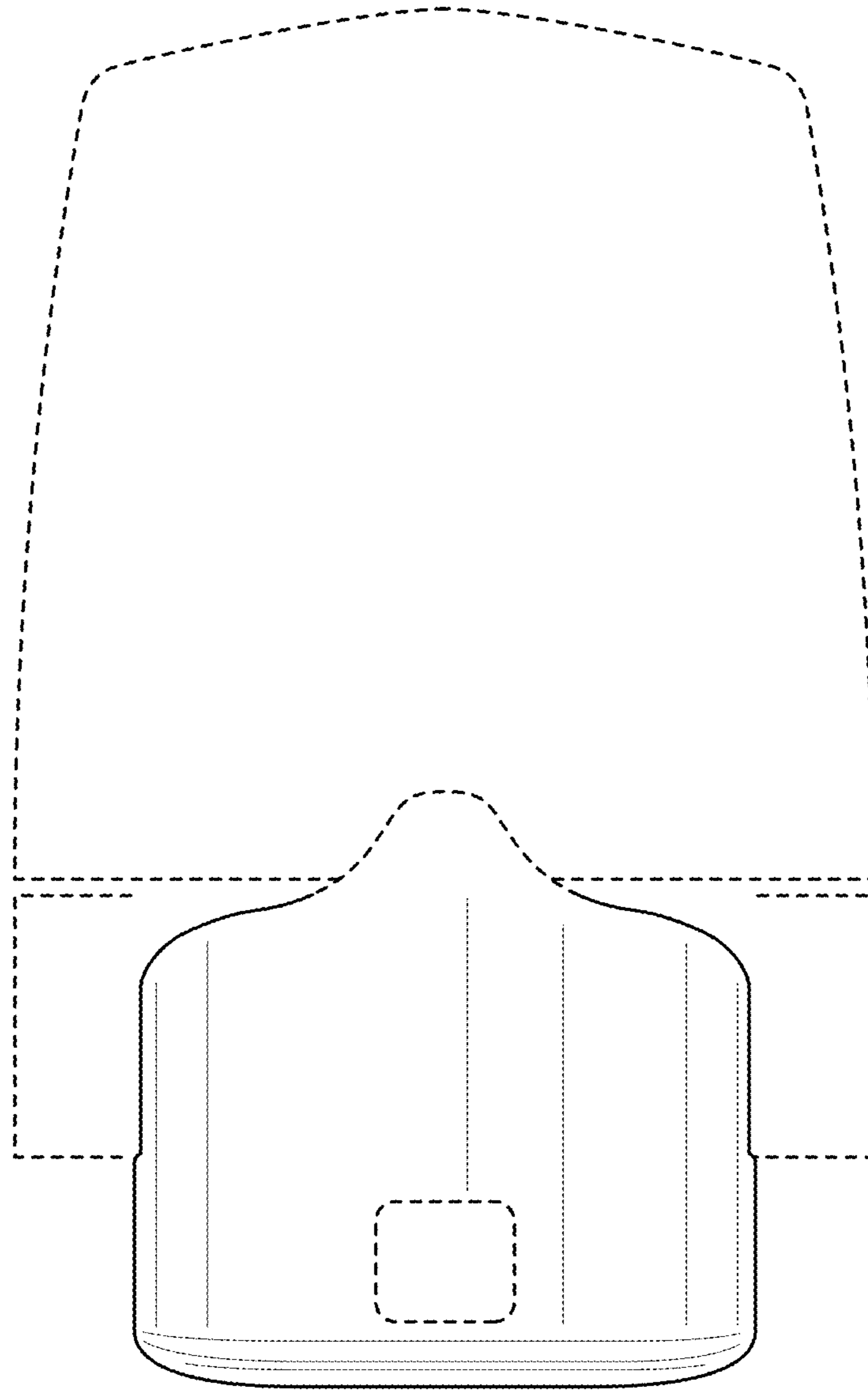


FIG. 5

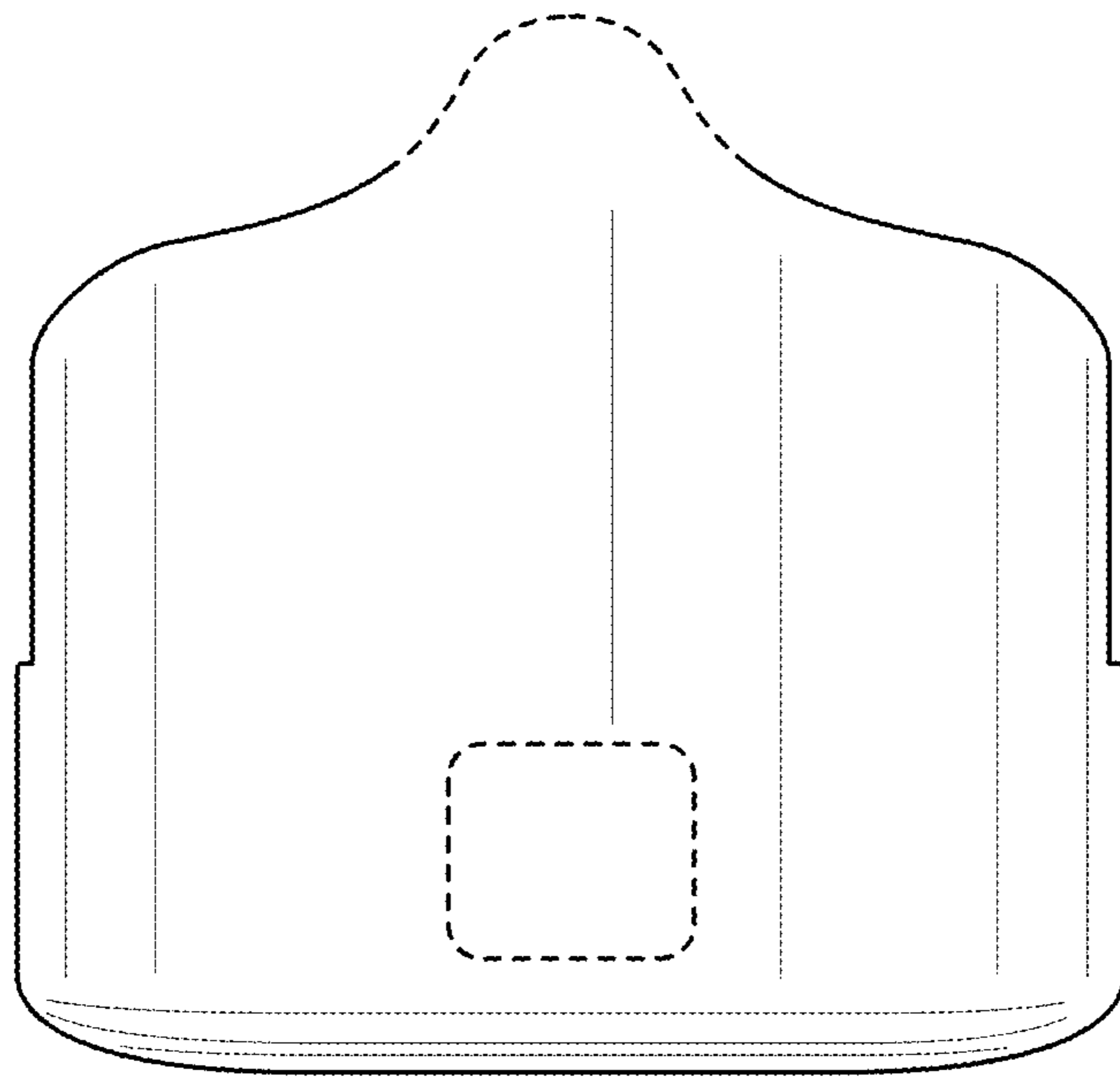


FIG. 6

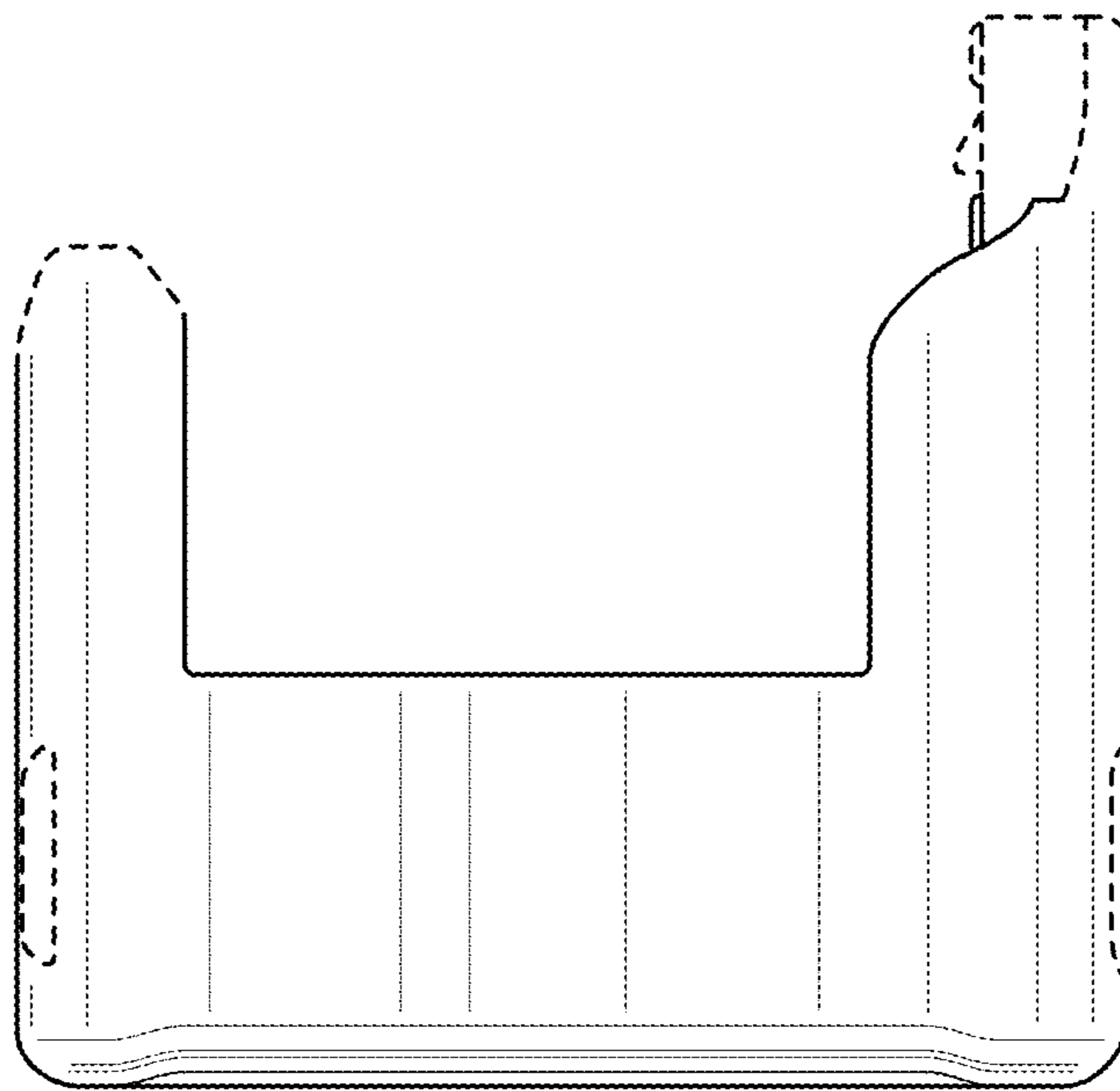


FIG. 7

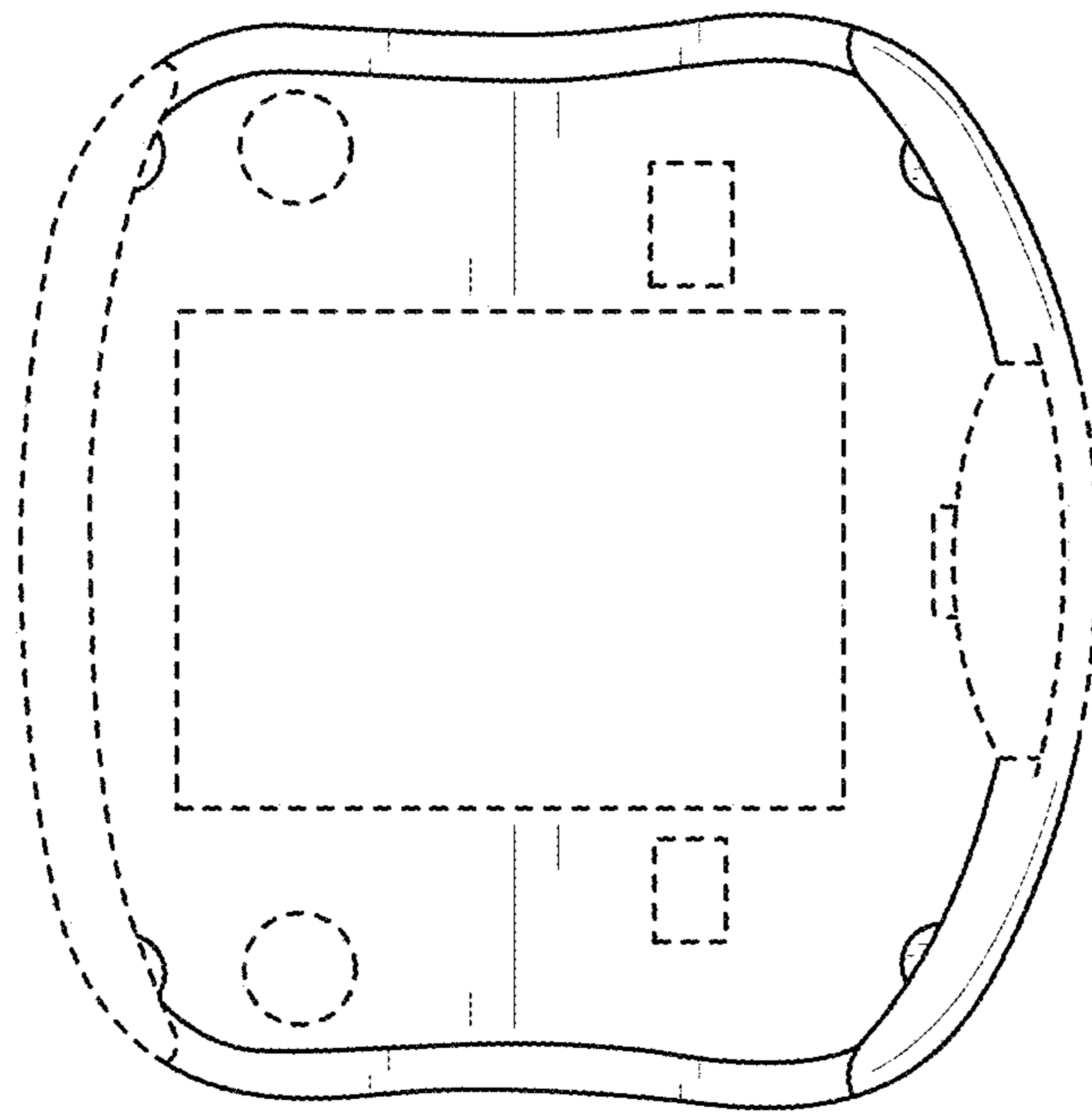


FIG. 8