



US00D972712S

(12) **United States Design Patent**
Haggar

(10) **Patent No.:** **US D972,712 S**

(45) **Date of Patent:** **** Dec. 13, 2022**

(54) **CEILING FAN BLADE**

D450,380 S 11/2001 Frampton
D453,216 S 1/2002 Gajewski
D484,964 S 1/2004 Young

(Continued)

(71) Applicant: **HUNTER FAN COMPANY,**
Memphis, TN (US)

(72) Inventor: **Alexander Jonathan Haggar,**
Memphis, TN (US)

(73) Assignee: **Hunter Fan Company,** Memphis, TN
(US)

(**) Term: **15 Years**

(21) Appl. No.: **29/759,585**

(22) Filed: **Nov. 24, 2020**

Related U.S. Application Data

(62) Division of application No. 29/628,449, filed on Dec. 5, 2017, now Pat. No. Des. 911,509.

(51) **LOC (13) Cl.** **23-03**

(52) **U.S. Cl.**
USPC **D23/413**

(58) **Field of Classification Search**
USPC D23/370, 377, 379, 385, 411-414
CPC F04D 25/088; F04D 29/38; F04D 29/384;
F04D 29/386; F21V 33/0096
See application file for complete search history.

(56) **References Cited**

U.S. PATENT DOCUMENTS

D314,618 S 2/1991 Yen
D324,565 S 3/1992 Fraser
D357,978 S 5/1995 Young
D374,926 S 10/1996 Sheh
D380,539 S 7/1997 Liu
D386,257 S 11/1997 Liu
D393,902 S 4/1998 Pickett
D431,307 S 9/2000 Zelina, Jr. et al.
D434,134 S 11/2000 Frampton
D443,713 S 6/2001 Benensohn

FOREIGN PATENT DOCUMENTS

IN 235579 S 9/2011

OTHER PUBLICATIONS

<http://www.crompton.co.in/aura-metallic/>, Crompton, Aura Metallic Ceiling Fan, accessed May 2, 2017.

(Continued)

Primary Examiner — Sharon S Oum

(74) *Attorney, Agent, or Firm* — McGarry Bair PC

(57) **CLAIM**

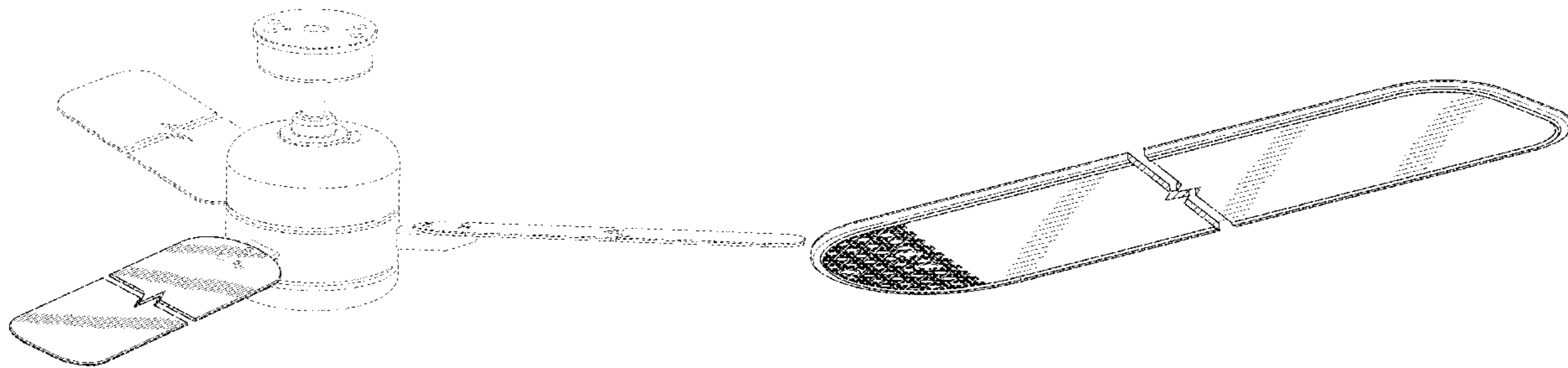
The ornamental design for a ceiling fan blade, as shown and described.

DESCRIPTION

FIG. 1 is a top perspective view of a ceiling fan blade in the environment of a ceiling fan;
FIG. 2 is a bottom perspective view of the ceiling fan blade of FIG. 1, having the ceiling fan environment removed;
FIG. 3 is a right side view thereof;
FIG. 4 is a left side view thereof;
FIG. 5 is a rear view thereof;
FIG. 6 is a front view thereof;
FIG. 7 is a top view thereof; and,
FIG. 8 is a bottom view thereof.

The broken lines illustrate portions of the ceiling fan blade and ceiling fan environment. None of the broken lines form part of the claimed design. The ceiling fan blades are shown with a symbolic break in their length. The appearance of any portion of the ceiling fan blades between the break lines forms no part of the claimed design.

1 Claim, 6 Drawing Sheets



(56)

References Cited

OTHER PUBLICATIONS

U.S. PATENT DOCUMENTS

D488,222	S	*	4/2004	Frampton	D23/413
D501,251	S		1/2005	Hidalgo		
D503,228	S	*	3/2005	Blateri	D23/413
D514,215	S	*	1/2006	Hidalgo	D23/377
D514,220	S		1/2006	Tai		
D516,203	S		2/2006	Frampton		
D516,707	S		3/2006	Frampton		
D516,708	S		3/2006	Frampton		
D517,688	S		3/2006	Frampton		
D522,643	S	*	6/2006	Hidalgo	D23/377
D527,090	S		8/2006	Pan		
D534,273	S		12/2006	Pan		
D561,374	S		2/2008	Harmann, Jr. et al.		
D575,862	S		8/2008	McCalla et al.		
D584,396	S		1/2009	Bucher et al.		
D599,473	S		9/2009	Klausing et al.		
D609,799	S		2/2010	Lee		
D620,101	S	*	7/2010	Frampton	D23/413
D627,054	S		11/2010	Pan		
D633,644	S		3/2011	Sprengers		
D672,448	S	*	12/2012	Passauer, III	D23/377
D707,336	S		6/2014	Pan		
D708,315	S		7/2014	Wang		
D739,001	S		9/2015	Crisa		
D745,134	S		12/2015	Wang		
D771,794	S		11/2016	Wang		
D772,393	S		11/2016	Wang		
D778,422	S		2/2017	Gajewski		
D783,796	S		4/2017	Badarello et al.		
D788,283	S		5/2017	Busta		
D805,174	S		12/2017	Guthrie		
D805,175	S		12/2017	Haggar		
D805,625	S		12/2017	Haggar		
D808,510	S		1/2018	Gajewski		
D809,644	S		2/2018	Holmes et al.		
D810,917	S		2/2018	Holmes		
D826,394	S		8/2018	Biancuzzo		
D855,172	S		7/2019	Holmes		
D855,788	S		8/2019	Haggar		
D855,789	S		8/2019	Haggar		
D860,433	S	*	9/2019	Haggar	D23/413
D911,509	S	*	2/2021	Haggar	D23/377
D933,187	S	*	10/2021	McRoberts	D23/377
2015/0078906	A1		3/2015	Wang		
2018/0128277	A1		5/2018	Chia		

<https://www.craftmade.com/penbrooke-pnb52>, Craftmade, Penbrooke Ceiling Fan with Blades Included, Model No. PNB52, accessed May 2, 2017.

<http://www.kichler.com/products/product/52-bowen-ceiling-fan-ni-330242ni.aspx>, Kichler, 52" Bowen Ceiling Fan, Model No. 330242NI (Brushed Nickel), accessed May 2, 2017.

<https://www.lowes.com/pd/Harbor-Breeze-Riverview-36-in-Bronze-Downrod-or-Close-Mount-Indoor-Ceiling-Fan-with-Light-Kit-4-Blade/1000124909>, Harbor Breeze, Riverview 36-in Bronze Downrod or Close Mount Indoor Ceiling Fan with Light Kit (4-Blade), accessed May 2, 2017.

<https://www.craftmade.com/mobi-mob60>, Craftmade, Modi Customizable Fan, Model No. MOB60, accessed May 2, 2017.

<http://www.minkagroup.net/products/f734-gl>, Minka Group, Strata 52" Ceiling Fan in Galvanized Finish with 4 Blades in Silver, Model No. F734-GL, accessed May 2, 2017.

<http://www.kingoffans.com/#/products>, King of Fans, Windward II, Model No. 55296, accessed Dec. 5, 2017.

<http://www.casablancafanco.com/Ceiling-Fans/Piston?ModelNumber=59196>, Casablanca, Piston, 52" Ceiling Fan, Model No. 59196, Matte Black, accessed May 2, 2017.

<http://www.montecarlofans.com/37649/42-Vision-II---Rubberized-White-3VNR42RZWD.html>, Conte Carlo, 42" Vision II—Rubberized White, Product No. 3VNR24RZWD, accessed May 2, 2017.

<http://www.kichler.com/products/product/52-inch-leeds-fan-obb-300427obb.aspx>, Kichler, Leeds Collection 52 Inch Leeds Fan OBB, Model No. 300427OBB (Oil Brushed Bronze), accessed May 2, 2017.

<http://www.minkagroup.net/products/f306l-bssl>, Minka Group, Elemental Gyro, 42" Ceiling Fan in Brushed Steel Finish with Silver Blades w/etched Opal Glass, Model No. F306L-BS-SL, accessed May 2, 2017.

<http://ceilingfans.emerson.com/shop/en/fan/fans-s-emerson-fans/fans-s-contemporary/highrise-fan-p-cf430>, Emerson, Contemporary Bronze Ceiling Fan with LED Light, Model No. CF430, accessed May 2, 2017.

<http://www.minkagroup.net/products/f518-orb>, Minka Group, Concept II, 44" 3 Blades in Oil Rubbed Bronze Finish w/Taupe Blades, Integrated Halogen Lights, Model No. F518-ORB, accessed May 2, 2017.

<http://www.fanimation.com/products/index.php/fans/benito.html>, Fanimation, Benito Ceiling Fan, Model No. FP8003, accessed May 2, 2017.

* cited by examiner

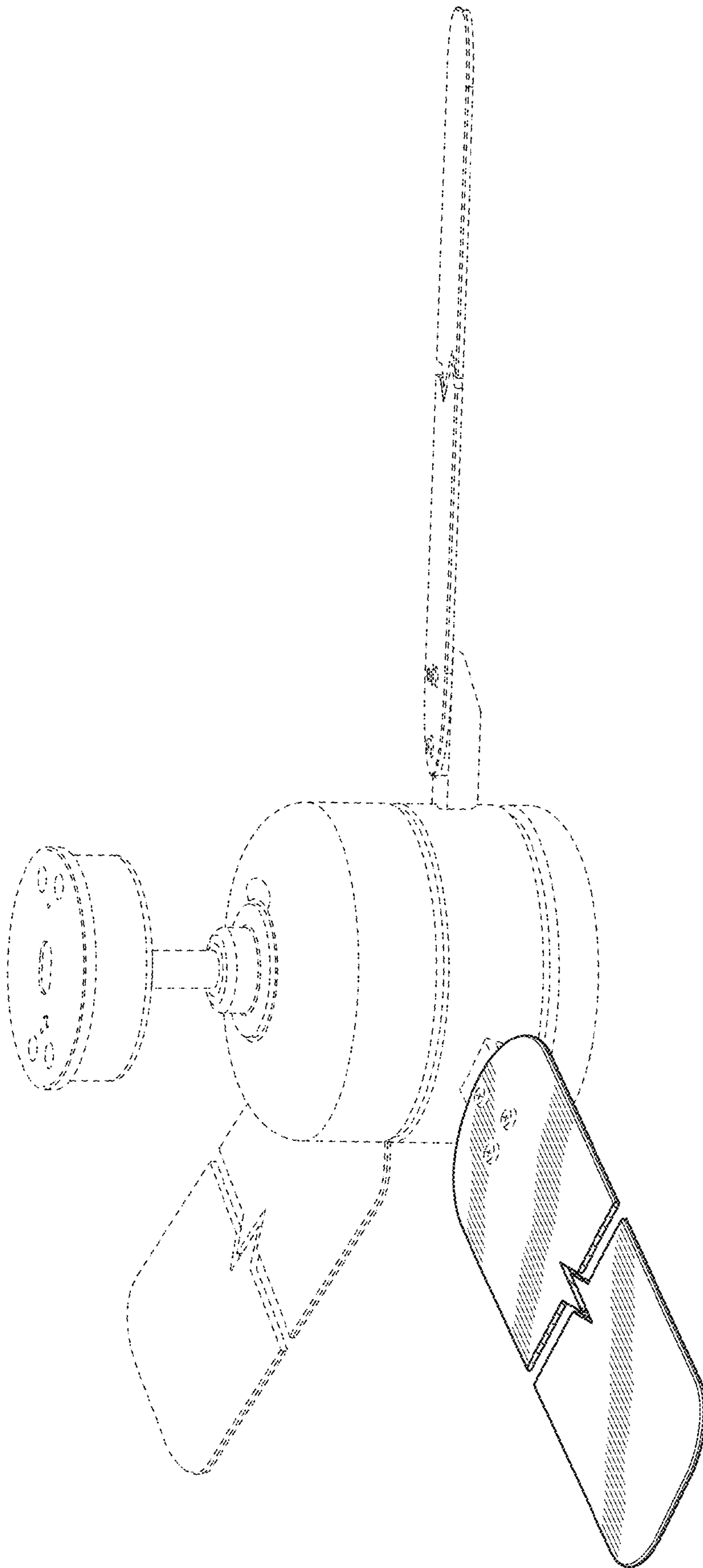


FIG. 1

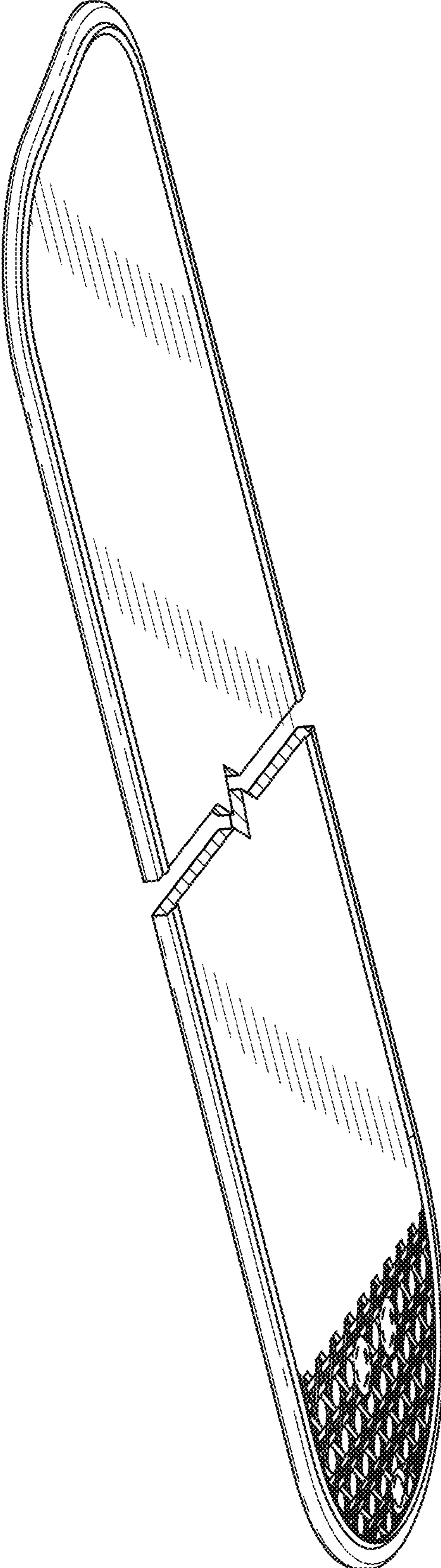


FIG. 2



FIG. 3

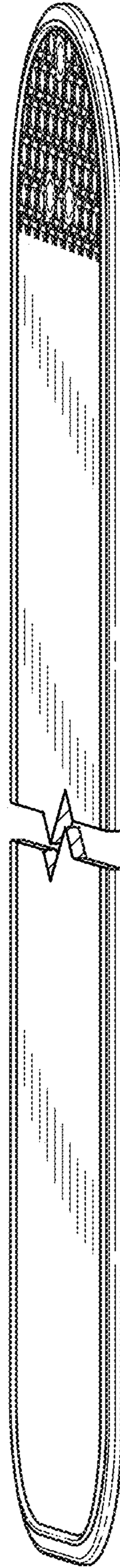


FIG. 4



FIG. 5

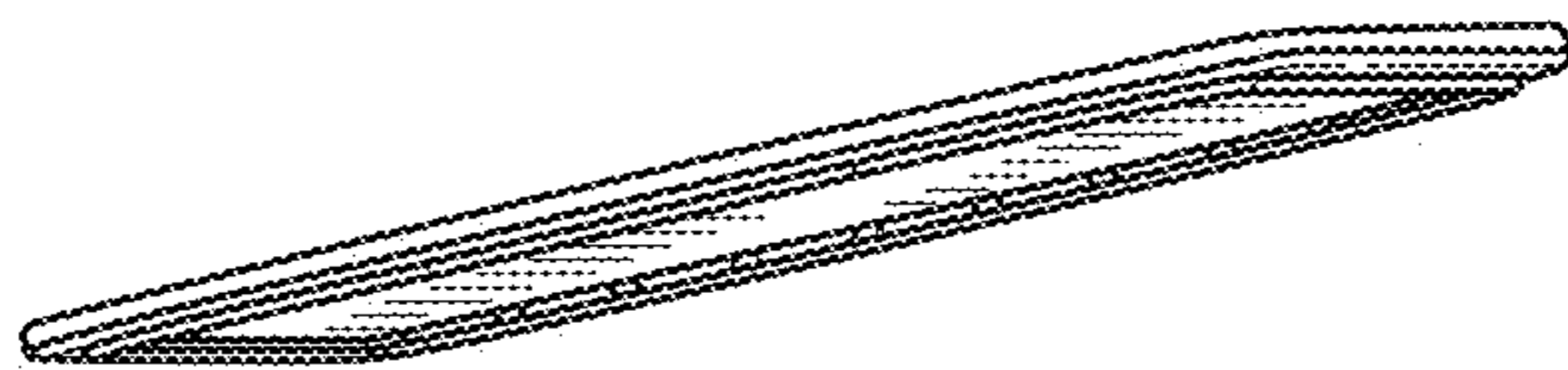


FIG. 6

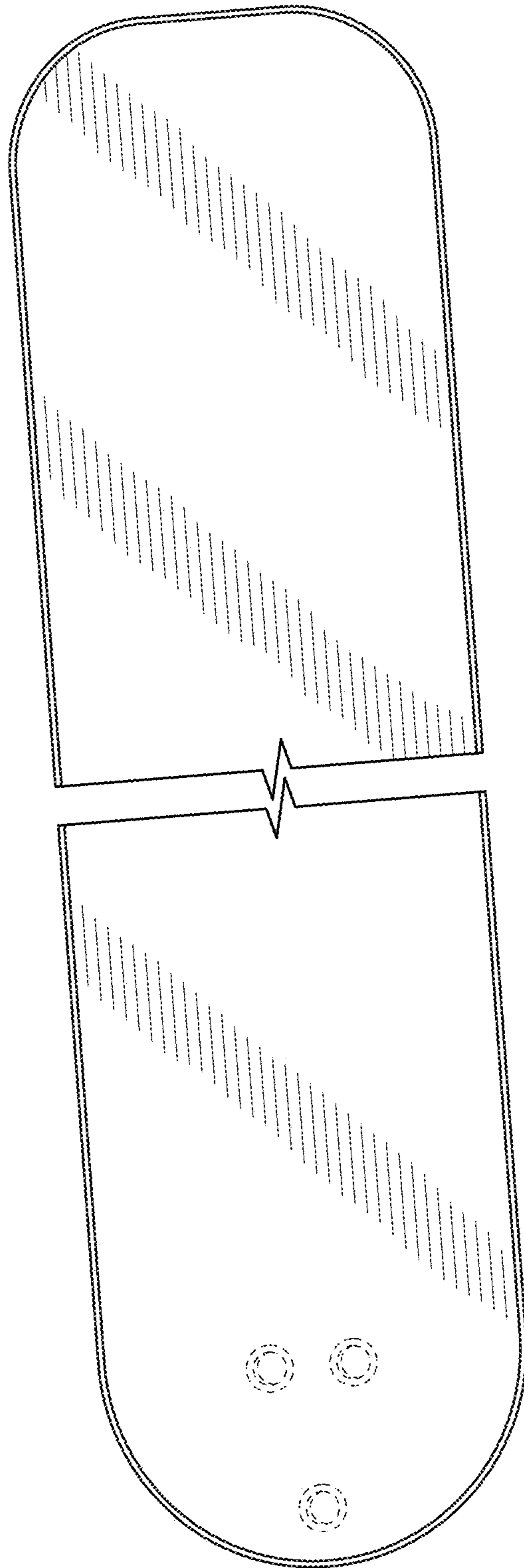


FIG. 7

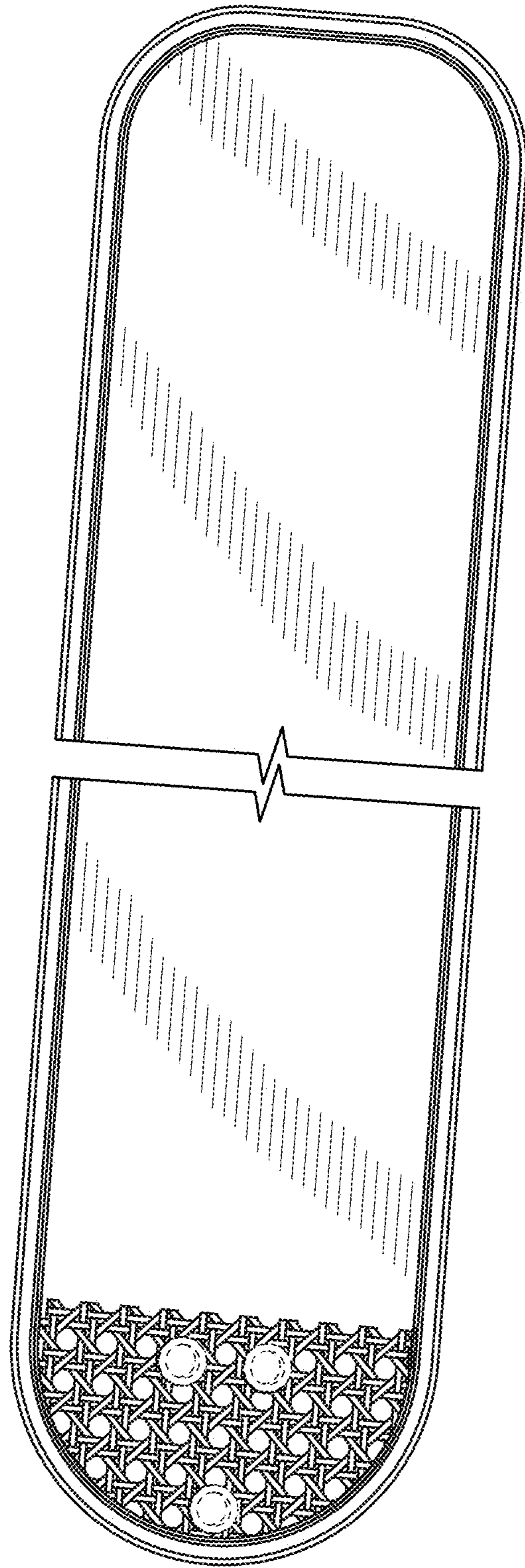


FIG. 8