

US00D972707S

(12) **United States Design Patent**  
**Rathgeb**

(10) **Patent No.:** **US D972,707 S**

(45) **Date of Patent:** **\*\* Dec. 13, 2022**

(54) **VENTILATING FAN**  
(71) Applicant: **ebm-papst Mulfingen GmbH & Co. KG, Mulfingen (DE)**  
(72) Inventor: **Josef Rathgeb, Jagstzell (DE)**  
(73) Assignee: **ebm-papst Mulfingen GmbH & Co. KG, Mulfingen (DE)**  
(\*\*) Term: **15 Years**

7,438,522 B2 \* 10/2008 Eimer ..... F04D 29/164  
415/173.6  
D620,096 S \* 7/2010 Underwood ..... D23/379  
9,157,442 B2 \* 10/2015 Liu ..... F04D 29/66  
D813,369 S \* 3/2018 Chiu ..... D23/370  
D814,008 S \* 3/2018 Munz ..... D23/370  
D860,427 S \* 9/2019 Cayton ..... D23/370  
10,550,847 B2 \* 2/2020 Berroth ..... H02K 7/14  
10,605,269 B2 \* 3/2020 Stadler ..... F04D 29/328  
D905,223 S \* 12/2020 Munz ..... D23/370  
D905,844 S \* 12/2020 Su ..... D23/411  
D916,269 S \* 4/2021 Bushnell ..... F04D 29/384  
D23/379  
D920,496 S \* 5/2021 De Filippis ..... D23/370  
D932,607 S \* 10/2021 De Filippis ..... D23/370  
2012/0171042 A1 \* 7/2012 Takeda ..... F04D 29/32  
416/223 R  
2020/0277962 A1 \* 9/2020 Keber ..... F04D 29/388

(21) Appl. No.: **29/710,542**

(22) Filed: **Oct. 24, 2019**

(30) **Foreign Application Priority Data**

Apr. 29, 2019 (EM) ..... 006402269-0001  
Apr. 29, 2019 (EM) ..... 006402269-0002

(51) **LOC (13) Cl.** ..... **23-04**

(52) **U.S. Cl.**  
USPC ..... **D23/370; D23/379**

(58) **Field of Classification Search**  
USPC ..... D23/328, 332, 333, 370-383, 385,  
D23/335-337, 341, 351, 352, 354,  
D23/411-414  
CPC .. F04D 25/084; F04D 25/086; F04D 25/0673;  
F04D 29/646; F04D 25/08; F04D 29/32;  
F04D 29/52; F04D 29/324; F04D 29/38  
See application file for complete search history.

(56) **References Cited**

**U.S. PATENT DOCUMENTS**

D513,530 S \* 1/2006 Chen ..... D23/379  
D562,781 S \* 2/2008 Teufel ..... D13/179

\* cited by examiner

*Primary Examiner* — Sharon S Oum  
(74) *Attorney, Agent, or Firm* — Harness, Dickey & Pierce, P.L.C.

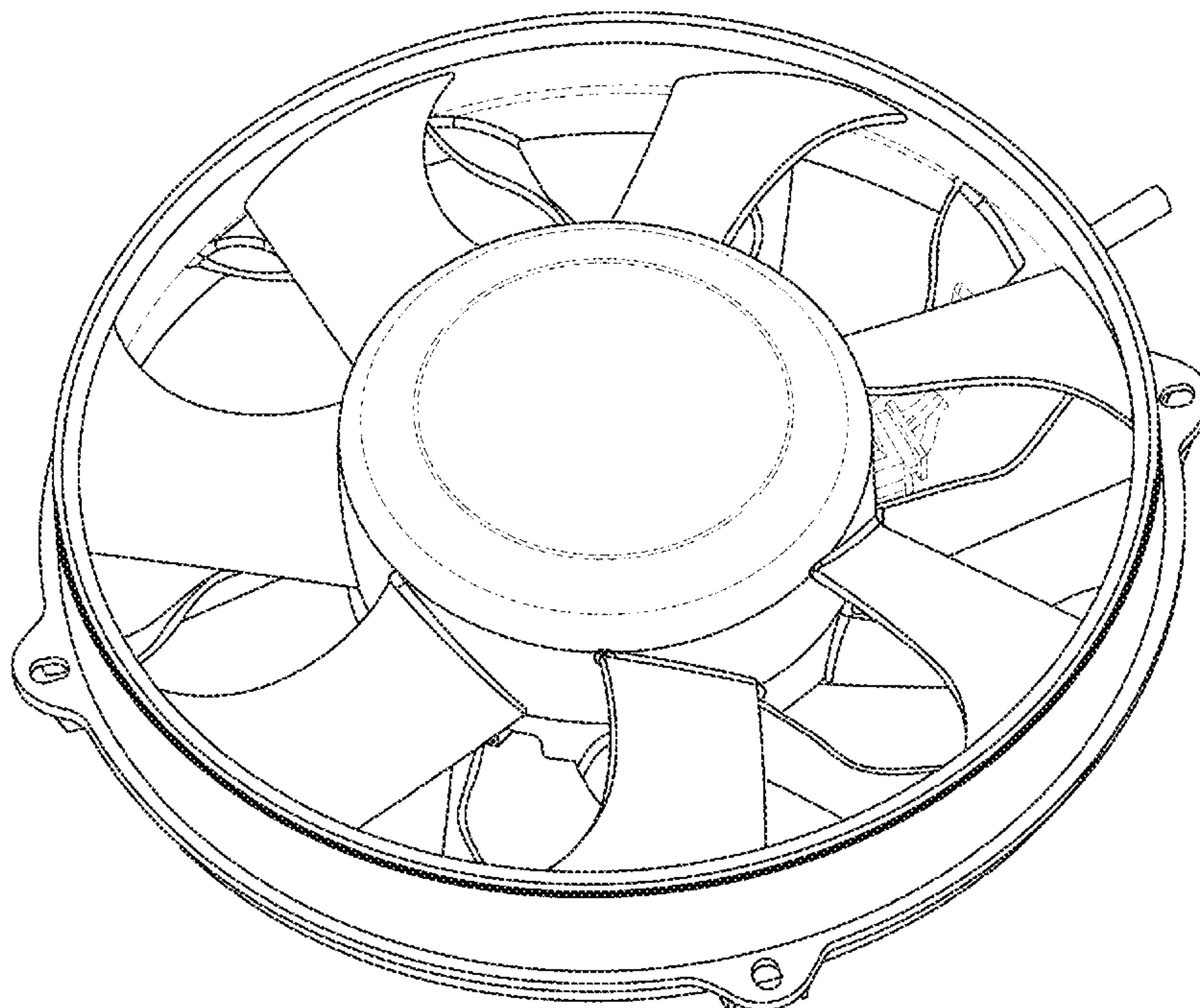
(57) **CLAIM**

The ornamental design for a ventilating fan, as shown and described.

**DESCRIPTION**

FIG. 1 is a front perspective view of a ventilating fan according to the original design.  
FIG. 2 is a rear plan view of FIG. 1; and,  
FIG. 3 is a front plan view of FIG. 2 with the front ring removed for completeness of illustration.

**1 Claim, 3 Drawing Sheets**



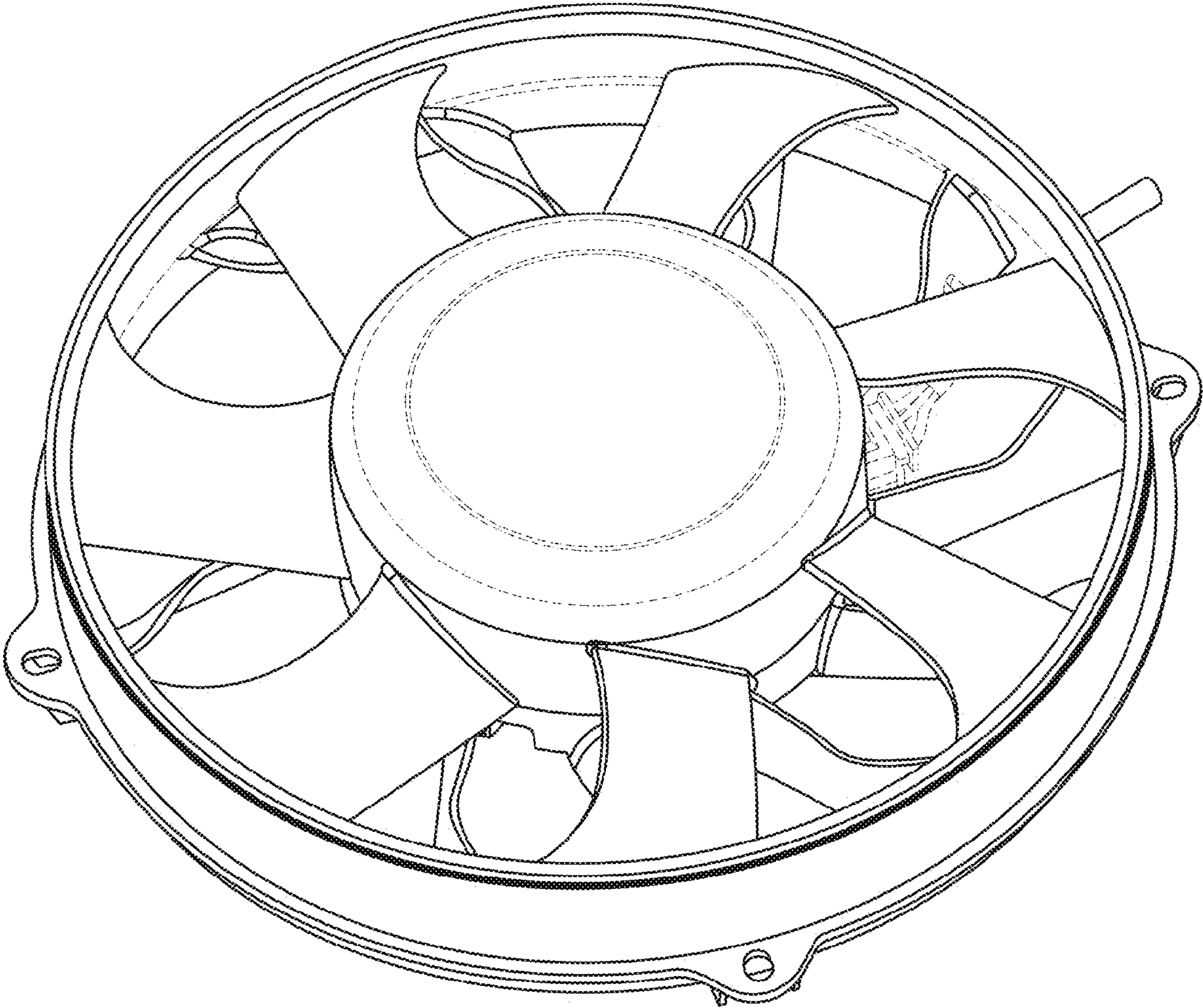


Fig. 1



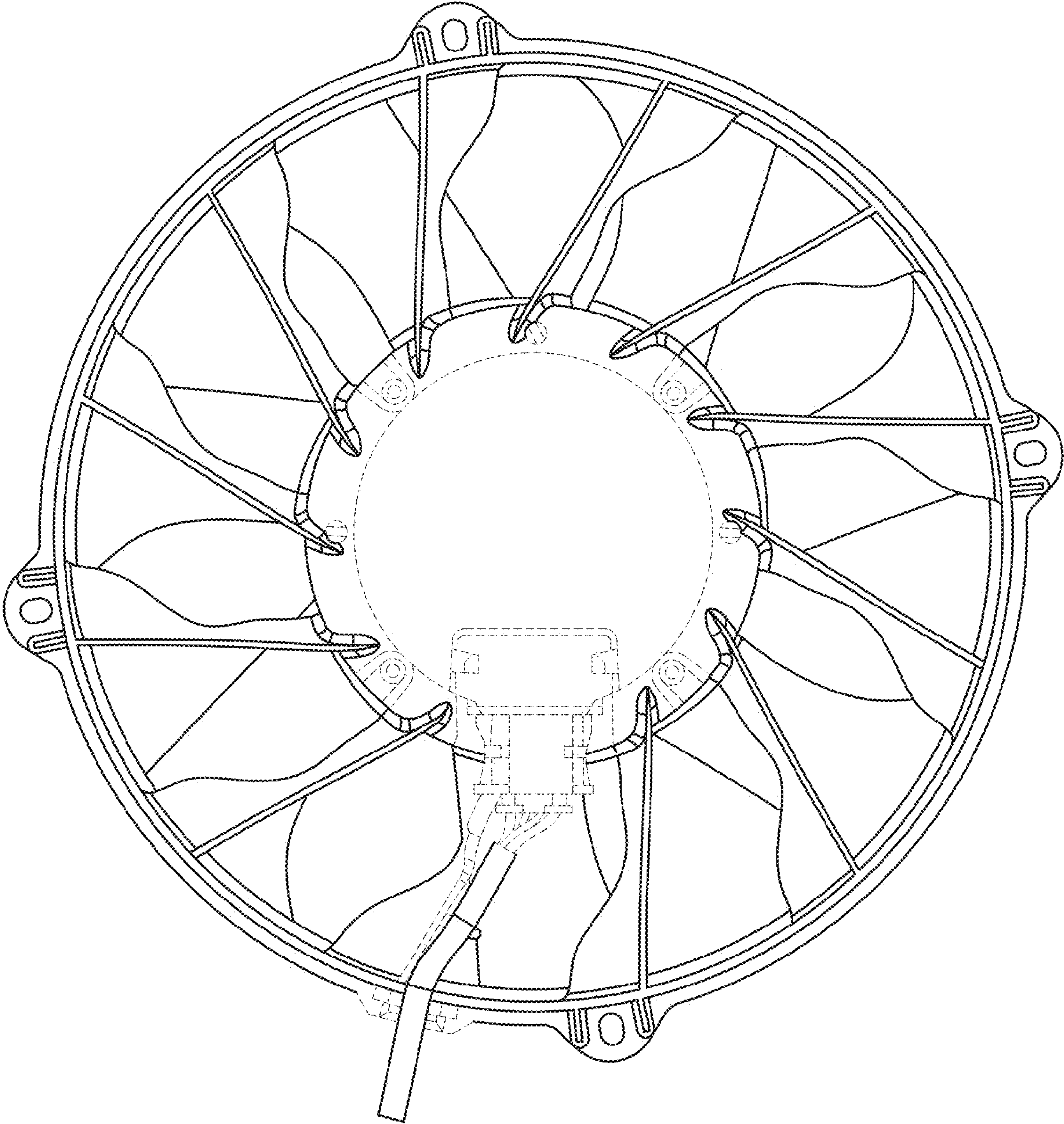


Fig. 2

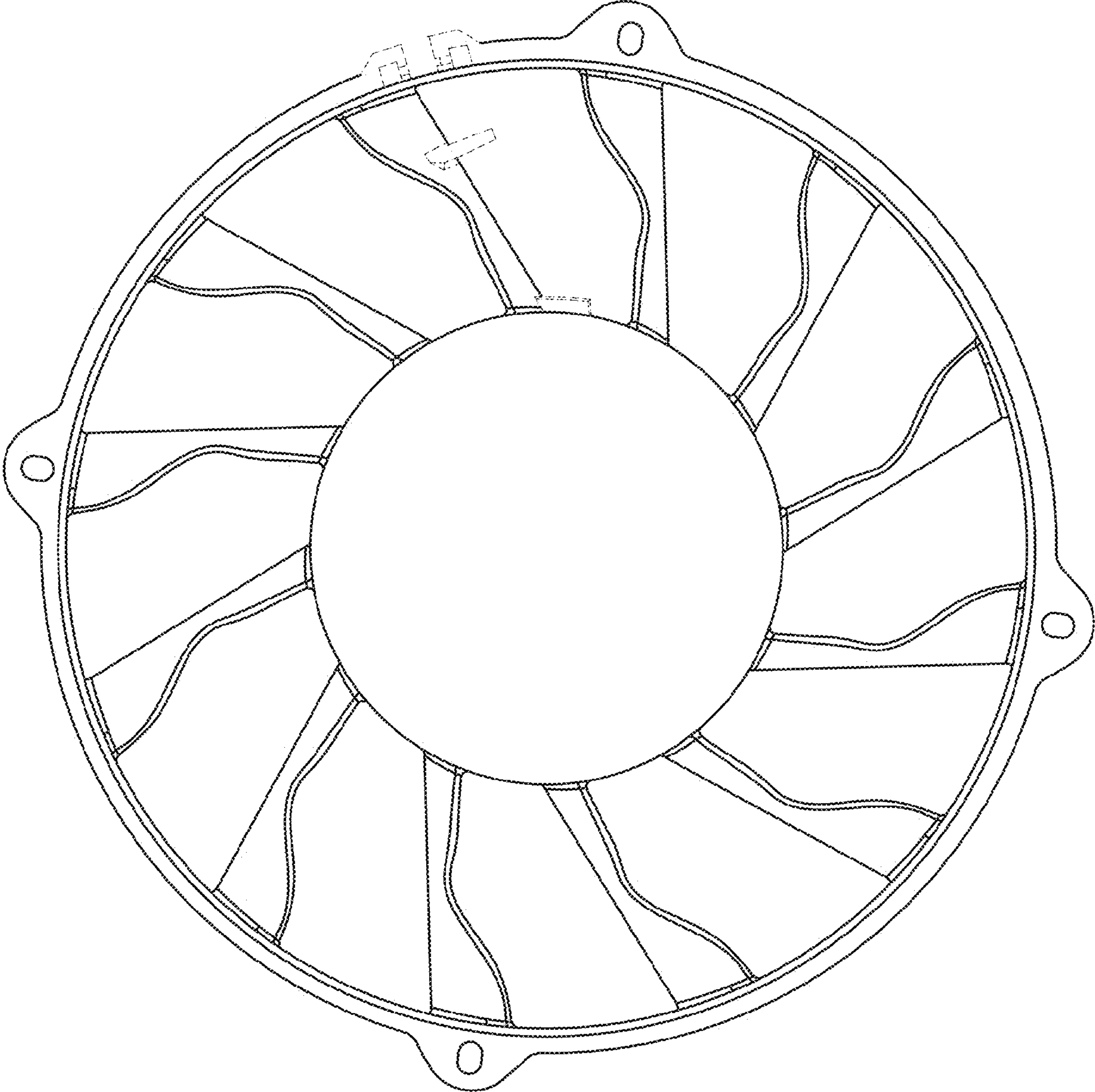


Fig. 3