



US00D972706S

(12) **United States Design Patent** (10) **Patent No.:** **US D972,706 S**
Keber et al. (45) **Date of Patent:** **** Dec. 13, 2022**

(54) **VENTILATING FAN**

(56) **References Cited**

(71) Applicant: **ebm-papst St. Georgen GmbH & Co.KG**, St. Georgen (DE)
(72) Inventors: **Roland Keber**, Wörth (DE); **Tobias Sieger**, Geisingen (DE); **Wolfgang Laufer**, Aichhalden (DE); **Jürgen Herr**, St. Georgen (DE); **Arnold Schulde**, VS-Schwenningen (DE); **Georg Eimer**, St. Georgen (DE); **Martin Müller**, Freudenstadt (DE); **Dominik Haas**, Hardt (DE); **Simon Hoppe**, St. Georgen (DE); **Julien Grilliat**, Villingen-Schwenningen (DE); **Johannes Dannecker**, Schonach (DE); **Clemens Günter**, Schramberg (DE)
(73) Assignee: **ebm-papst St. Georgen GmbH & Co. KG**, St. Georgen (DE)

U.S. PATENT DOCUMENTS

D468,010	S	*	12/2002	Ishijima	D23/413
D509,896	S	*	9/2005	Chen	D23/370
D513,530	S	*	1/2006	Chen	D23/379
D562,781	S	*	2/2008	Teufel	D13/179
7,438,522	B2	*	10/2008	Eimer	F04D 29/164 415/173.6
D581,040	S	*	11/2008	Pickett	D23/411
D620,096	S	*	7/2010	Underwood	D23/379
D637,706	S	*	5/2011	Kawai	D23/370
8,231,333	B2	*	7/2012	Ragg	F04D 29/526 415/119
D676,953	S	*	2/2013	Hollan	D23/382

(Continued)

Primary Examiner — Sharon S Oum
(74) *Attorney, Agent, or Firm* — Harness, Dickey & Pierce, P.L.C.

(**) Term: **15 Years**

(57) **CLAIM**

(21) Appl. No.: **29/702,812**

The ornamental design for a ventilating fan, as shown and described.

(22) Filed: **Aug. 22, 2019**

(30) **Foreign Application Priority Data**

DESCRIPTION

Feb. 28, 2019 (EM) 006271482-0001
Feb. 28, 2019 (EM) 006271482-0002
Feb. 28, 2019 (EM) 006271482-0003

(51) **LOC (13) Cl.** **23-04**

(52) **U.S. Cl.**
USPC **D23/370; D23/379**

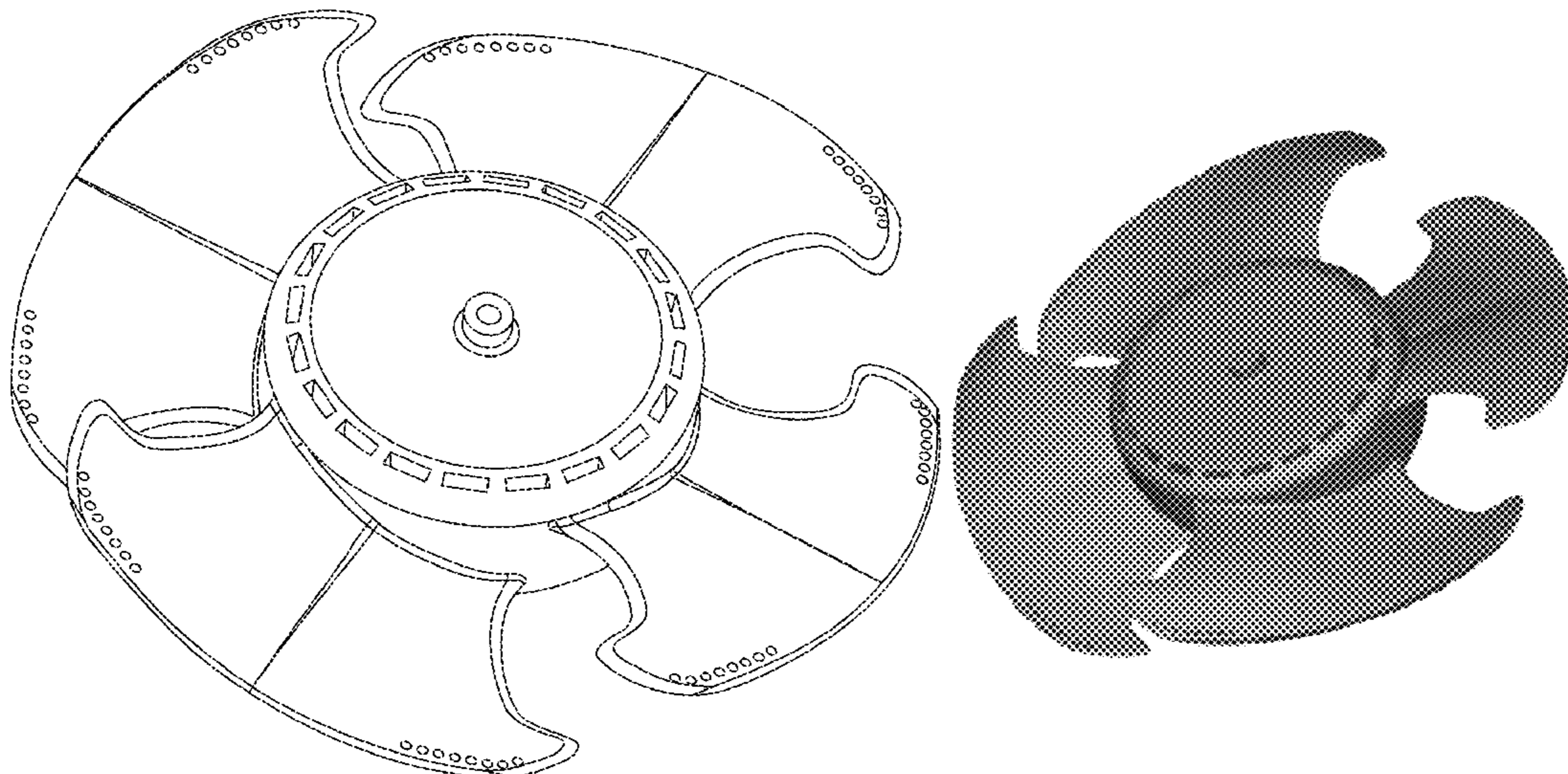
(58) **Field of Classification Search**
USPC D23/328, 332, 333, 370–383, 385,
D23/335–337, 341, 351, 352, 354,
D23/411–414

CPC .. F04D 25/084; F04D 25/086; F04D 25/0673;
F04D 29/646; F04D 25/08; F04D 29/32;
F04D 29/52; F04D 29/324; F04D 29/38

See application file for complete search history.

FIG. 1 is a top perspective view of a ventilating fan;
FIG. 2 is a bottom perspective view of FIG. 1;
FIG. 3 is a right side elevation view of FIG. 1;
FIG. 4 is a left side elevation view of FIG. 1;
FIG. 5 is a bottom plan view of FIG. 1;
FIG. 6 is a top perspective view of a ventilating fan showing an alternate embodiment;
FIG. 7 is a bottom perspective view of FIG. 6;
FIG. 8 is a bottom plan view of FIG. 6;
FIG. 9 is a top plan view of FIG. 6;
FIG. 10 is a right side elevation view of FIG. 6; and,
FIG. 11 is a left side elevation view of FIG. 6.

1 Claim, 7 Drawing Sheets



(56)

References Cited

U.S. PATENT DOCUMENTS

D727,490	S *	4/2015	Hatz	D23/413
9,157,442	B2 *	10/2015	Liu	F04D 29/66
9,803,649	B2 *	10/2017	Ragg	F04D 29/384
D813,369	S *	3/2018	Chiu	D23/370
D814,008	S *	3/2018	Munz	D23/370
D847,967	S *	5/2019	Hernandez	D23/370
D860,427	S *	9/2019	Cayton	D23/370
10,550,847	B2 *	2/2020	Berroth	H02K 7/14
10,605,269	B2 *	3/2020	Stadler	F04D 29/328
D884,874	S *	5/2020	Meng	F04D 29/384
					D23/413
D903,085	S *	11/2020	Gebert	D23/370
D905,844	S *	12/2020	Su	D23/411
11,125,250	B2 *	9/2021	Berroth	F04D 25/068
2006/0210397	A1 *	9/2006	Eimer	F04D 29/164
					415/220
2012/0171042	A1 *	7/2012	Takeda	F04D 29/32
					416/223 R
2015/0330223	A1 *	11/2015	Choi	F01D 5/025
					416/204 R
2016/0265556	A1 *	9/2016	Stadler	F04D 29/328
2020/0277962	A1 *	9/2020	Keber	F04D 29/388

* cited by examiner

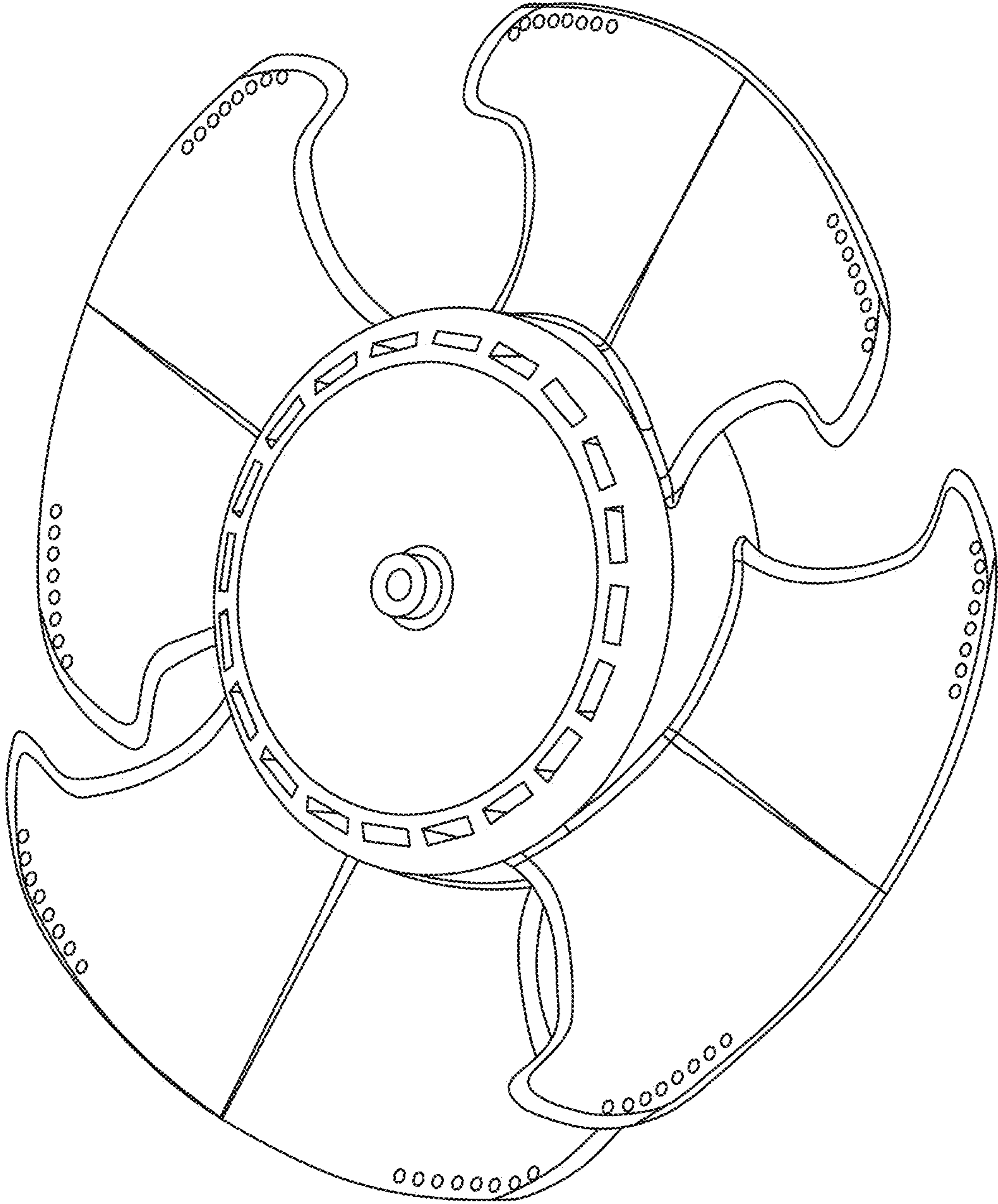


FIG. 1

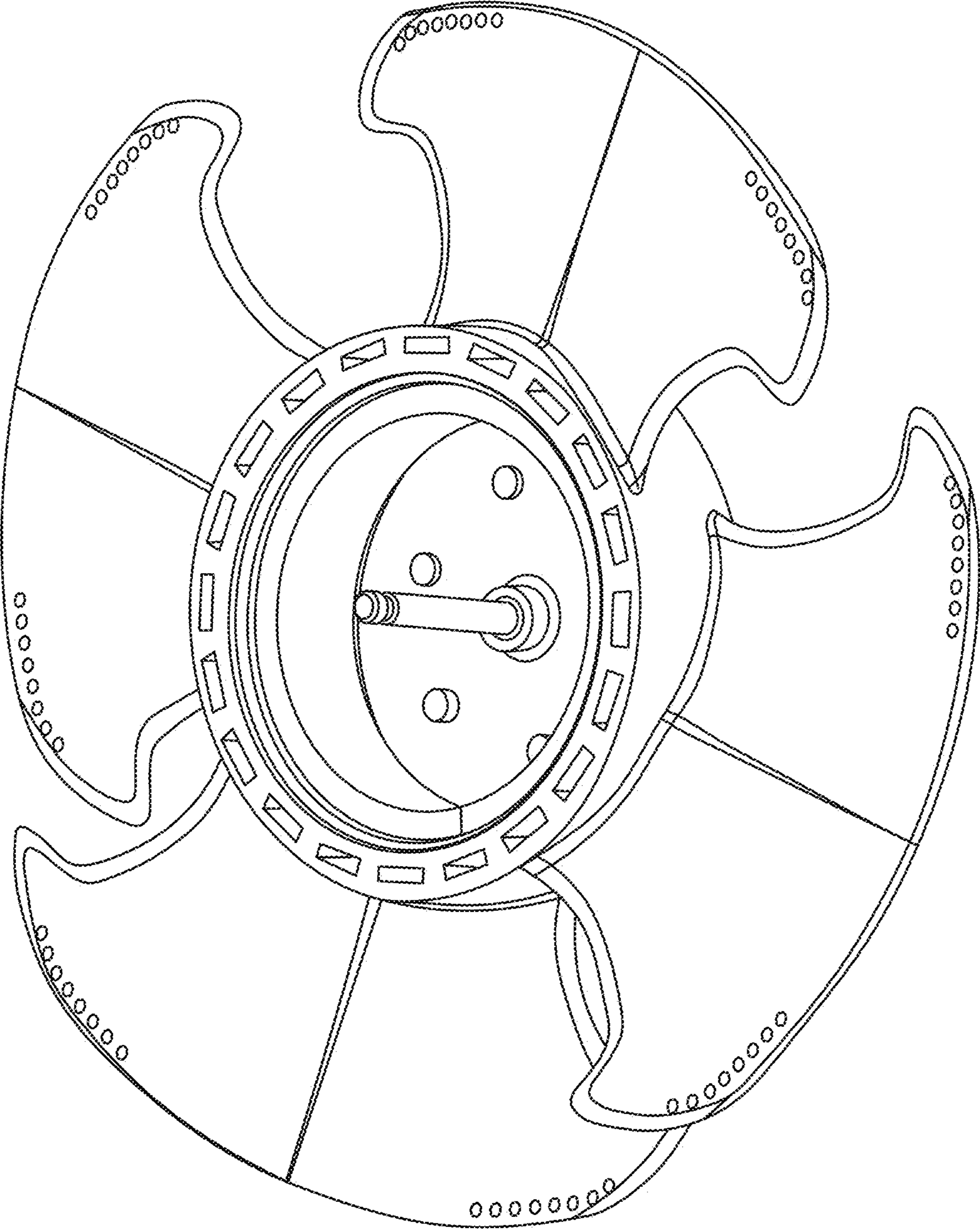


FIG. 2

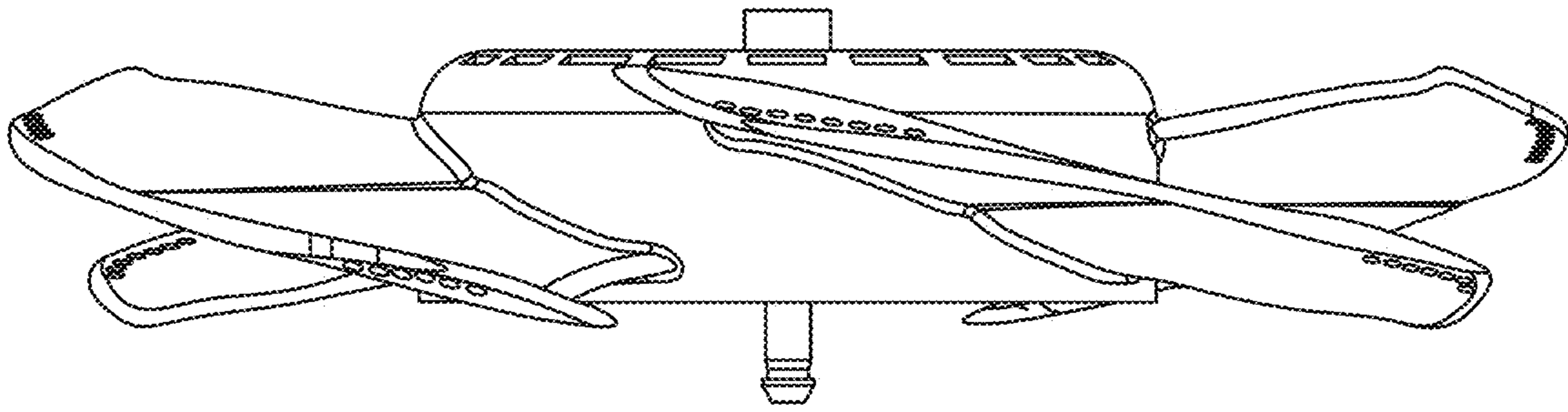


FIG. 3

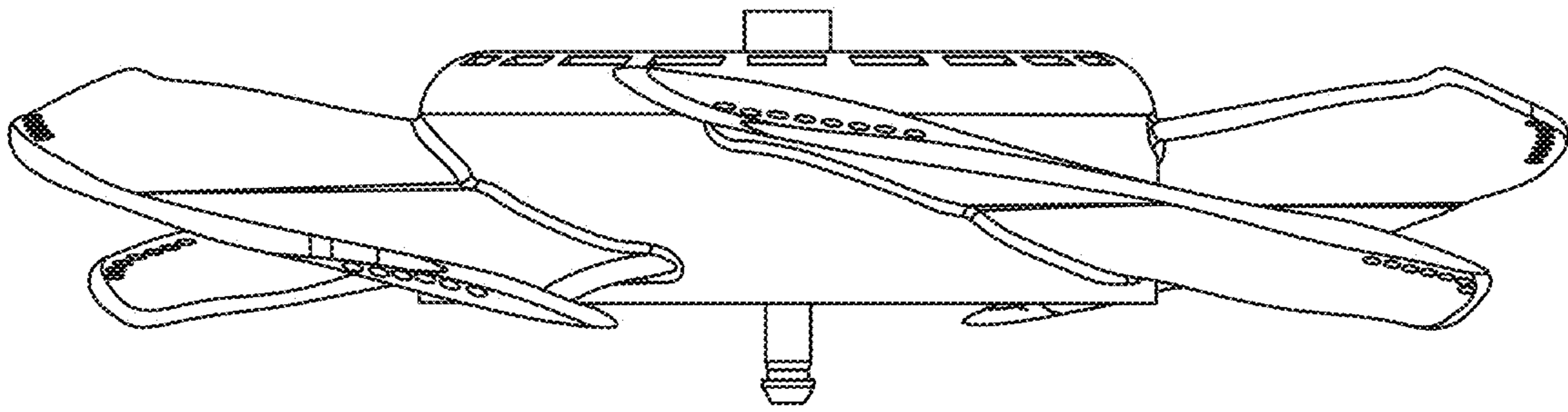


FIG. 4

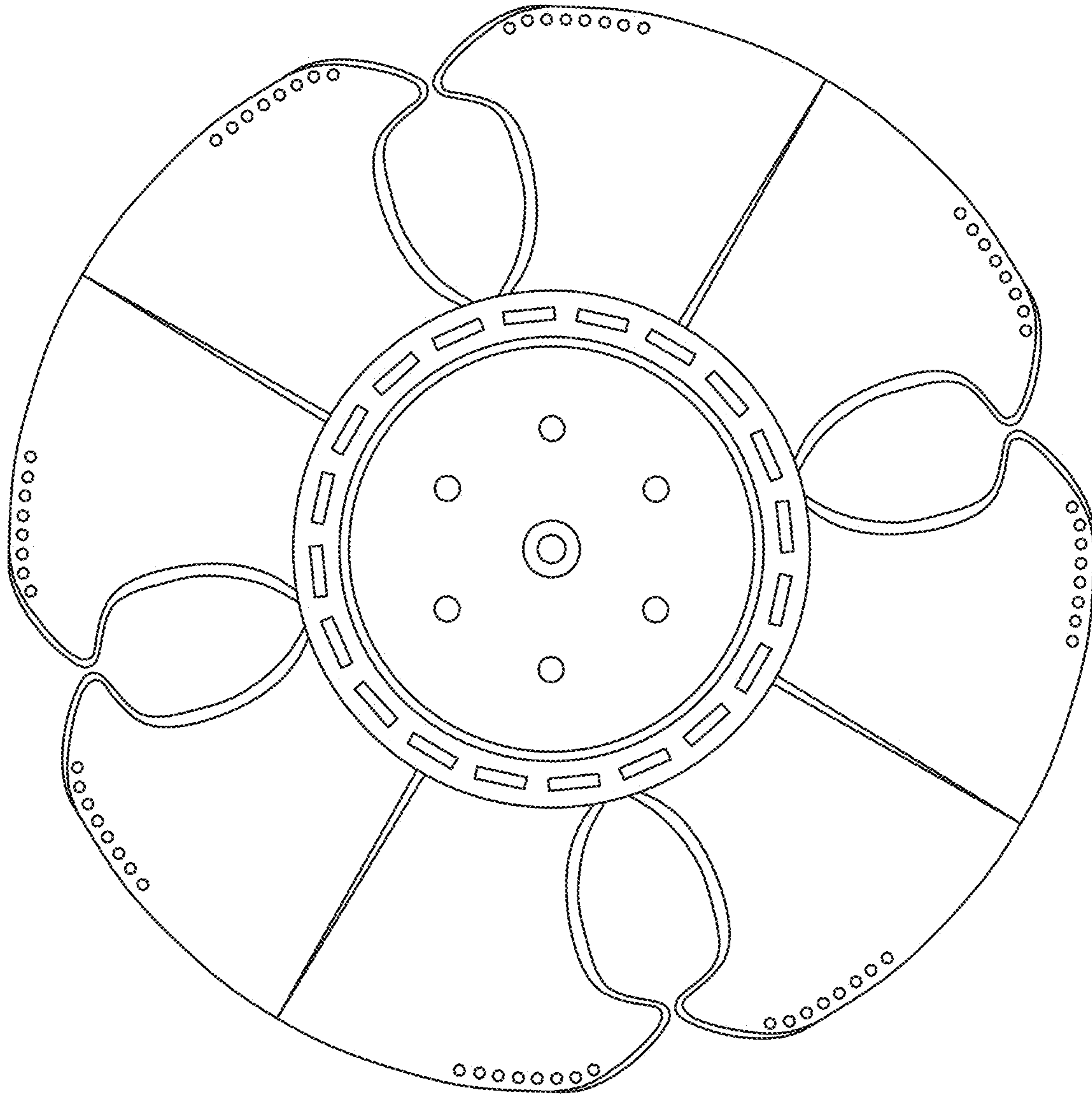


FIG. 5

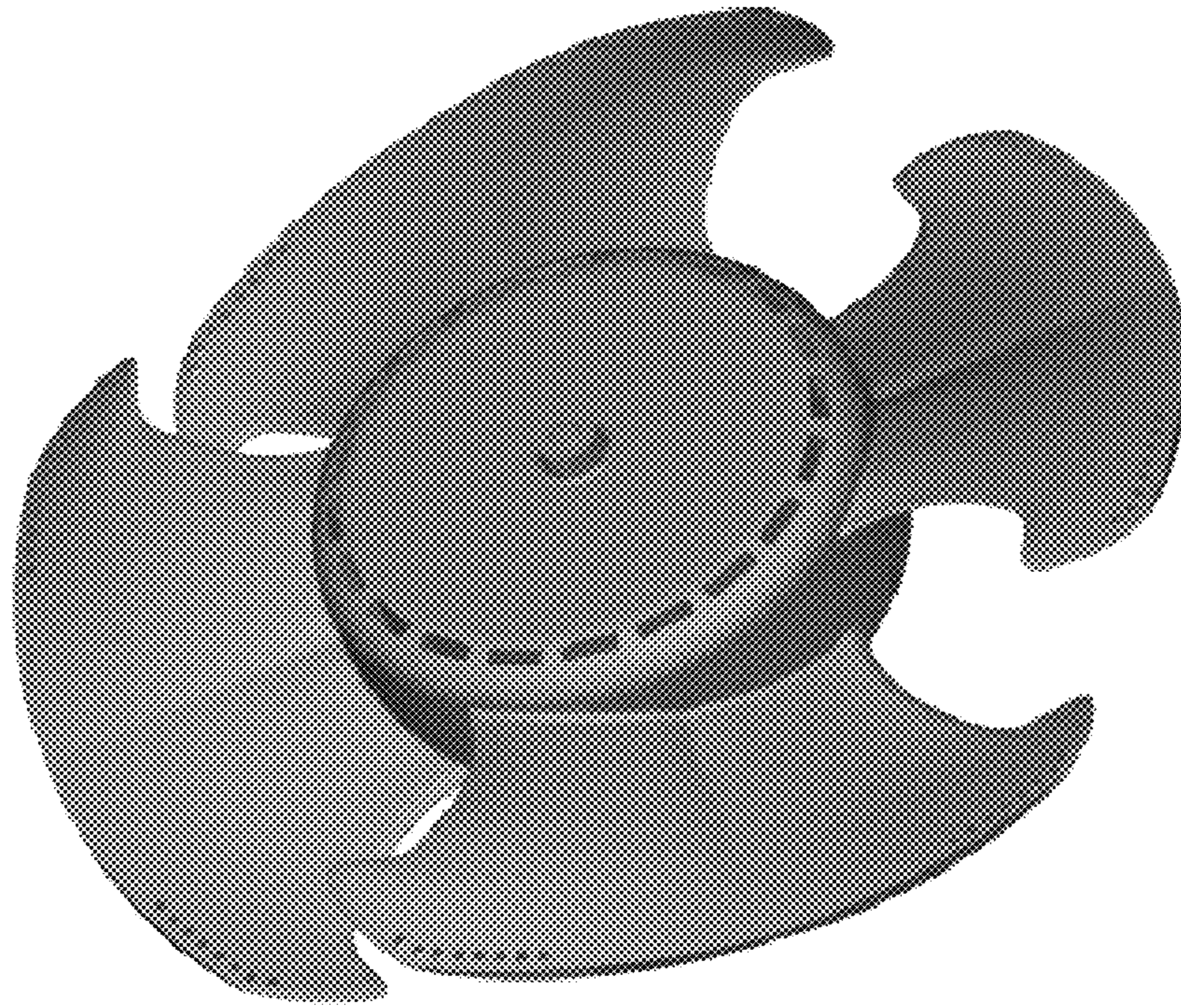


FIG. 6

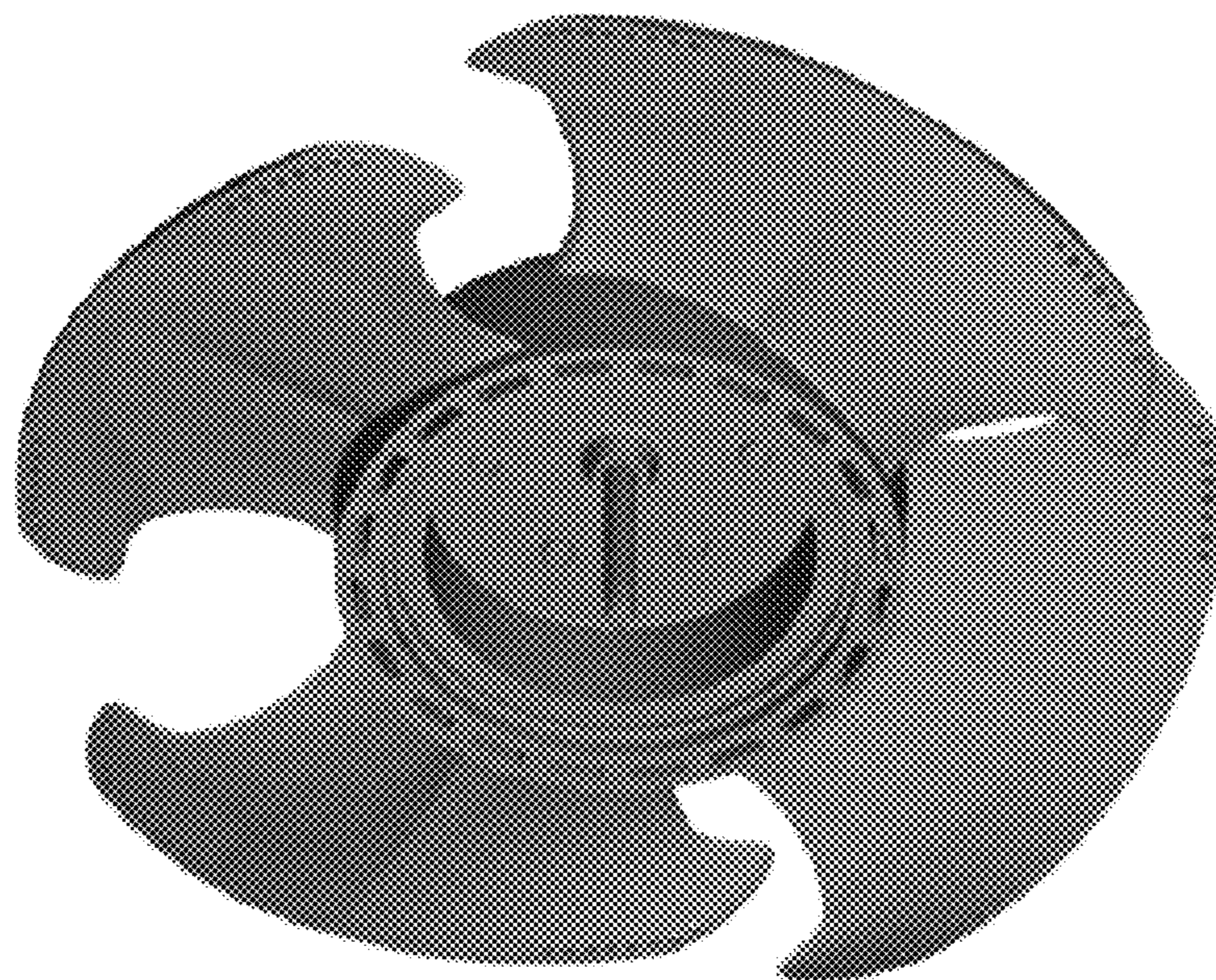


FIG. 7

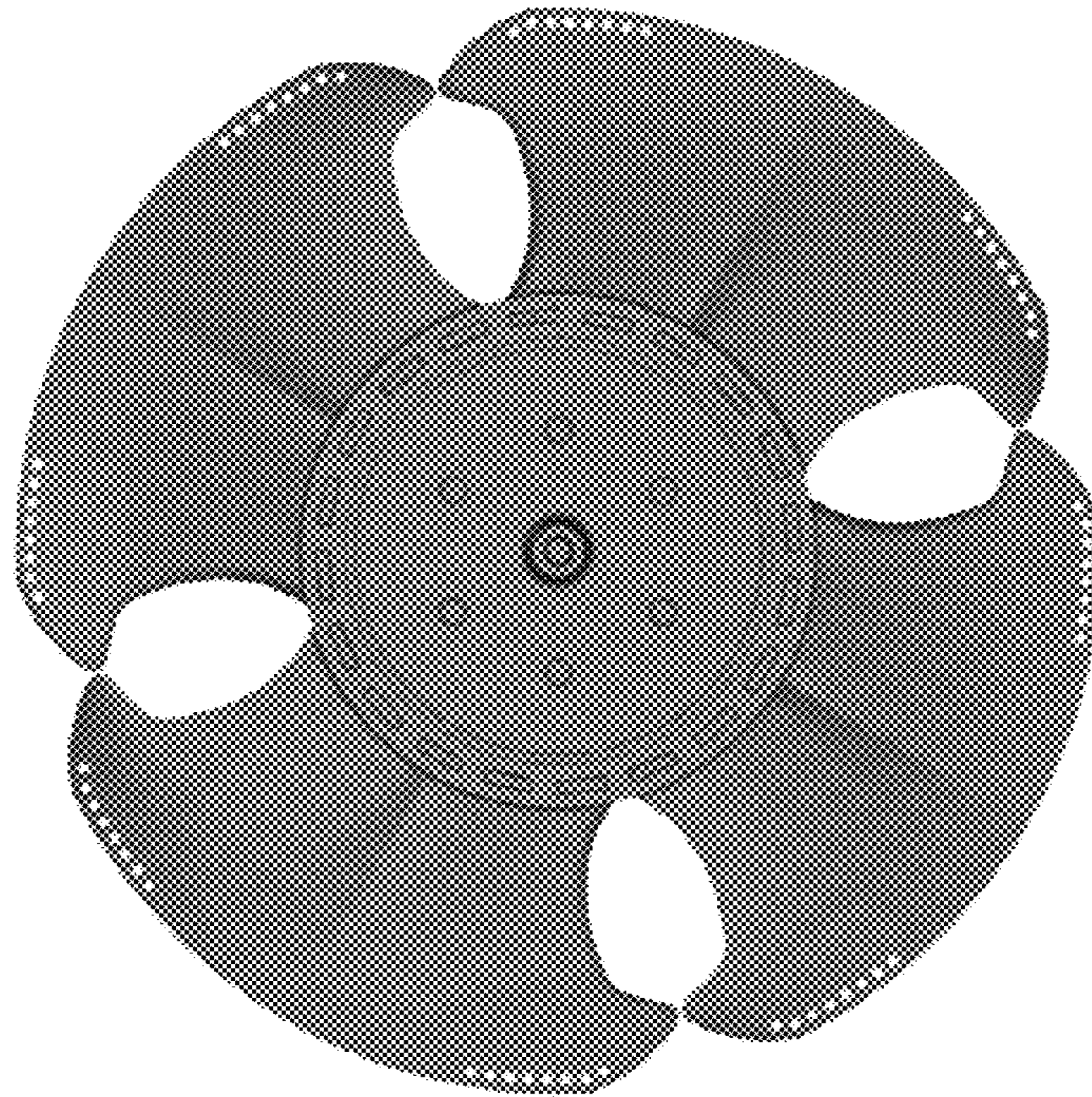


FIG. 8

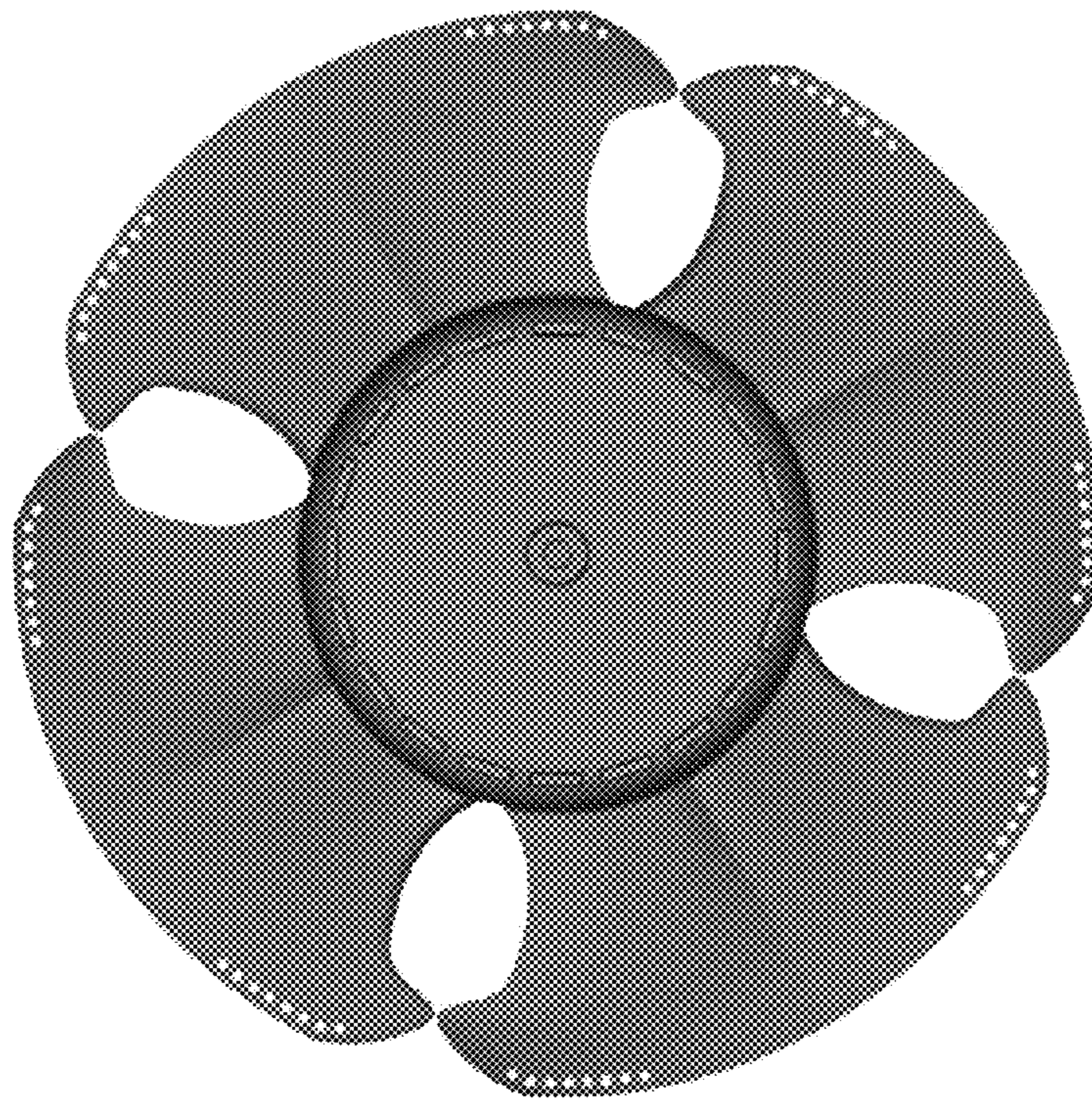


FIG. 9

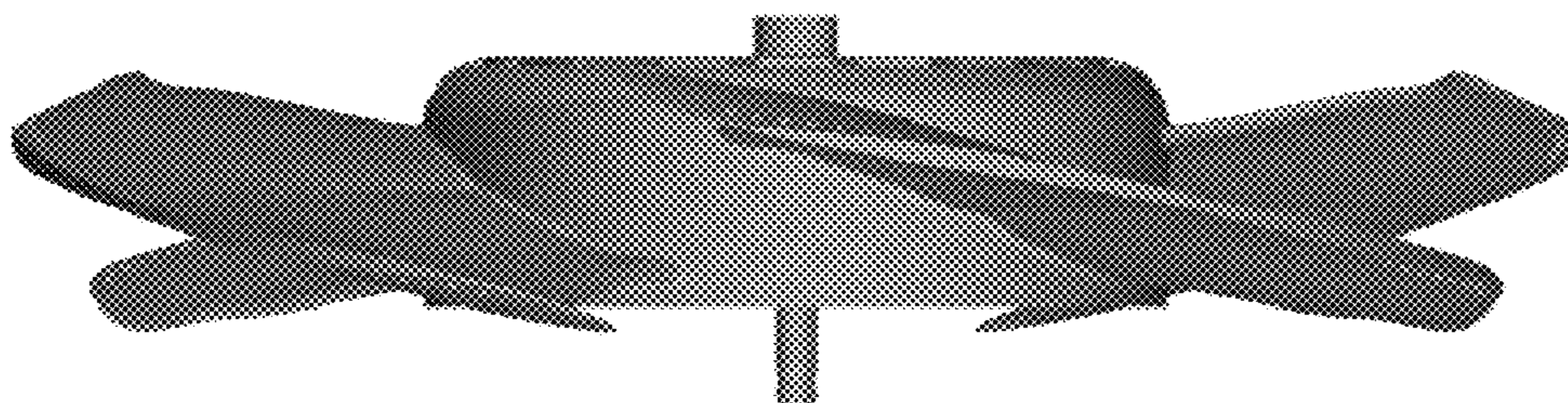


FIG. 10

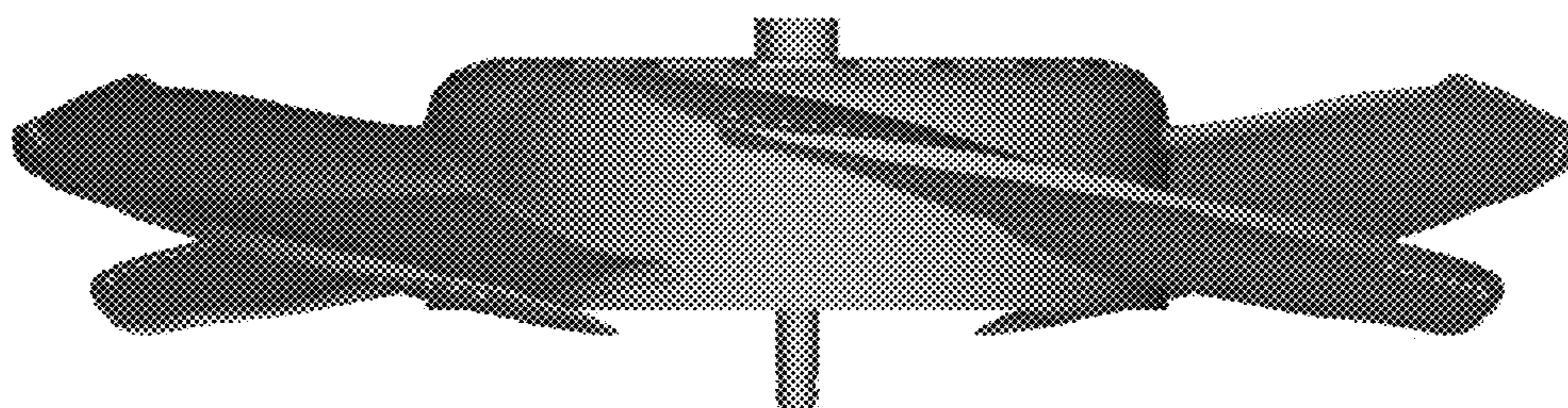


FIG. 11