



US00D972705S

(12) **United States Design Patent** (10) **Patent No.:** **US D972,705 S**
Bing et al. (45) **Date of Patent:** **** Dec. 13, 2022**

(54) **AIR FRESHENER**

261/88; Y10S 261/89; B01D 46/10;
B01D 46/0005; B01D 46/2411; A01G
13/0243

(71) Applicant: **Cintas Corporate Services, Inc.**,
Cincinnati, OH (US)

See application file for complete search history.

(72) Inventors: **Richard R. Bing**, West Chester, OH
(US); **Megan Kathryn Helms**,
Hamilton, OH (US); **David Steven
Mesko**, Wyoming, OH (US); **Michael
E. Berger**, Brooklyn, NY (US); **Adem
Önalán**, Jersey City, NJ (US); **Marco
C. Perry**, Brooklyn, NY (US)

(56) **References Cited**

U.S. PATENT DOCUMENTS

4,301,095	A	11/1981	Mettler et al.	
5,527,493	A	6/1996	McElfresh et al.	
D432,223	S *	10/2000	King	D23/366
D444,204	S *	6/2001	Hilgers	D23/207
8,170,405	B2	5/2012	Harris	
8,385,730	B2	2/2013	Bushman et al.	
D681,791	S *	5/2013	Jorgensen	D23/366
9,155,812	B1	10/2015	Bourne	
D797,087	S *	9/2017	Burton	D14/242
9,889,220	B1	2/2018	Yip et al.	
D856,501	S *	8/2019	Netkin	D23/366

(Continued)

(73) Assignee: **Cintas Corporate Services, Inc.**,
Cincinnati, OH (US)

(**) Term: **15 Years**

(21) Appl. No.: **29/837,071**

(22) Filed: **May 2, 2022**

Primary Examiner — Gino Colan

Assistant Examiner — David OBrien

(74) *Attorney, Agent, or Firm* — Wood Herron & Evans
LLP

Related U.S. Application Data

(62) Division of application No. 29/755,401, filed on Oct.
20, 2020, now Pat. No. Des. 961,752.

(51) **LOC (13) Cl.** **23-04**

(52) **U.S. Cl.**
USPC **D23/366**

(58) **Field of Classification Search**

USPC D7/509, 510; D11/143, 152; D14/195,
D14/204, 221, 228, 242; D23/207, 208,
D23/209, 213, 223, 333, 335, 336, 351,
D23/352, 353, 355, 356, 358, 359, 360,
D23/362, 364–366; D24/108, 112, 129;
D26/26, 37, 40, 46, 49
CPC F24F 6/00; F24F 6/06; F24F 1/00; F24F
1/01; F24F 1/02; F24F 1/022; A47G 7/06;
A61M 11/02; A61M 11/041; A61L 9/01;
A61L 9/00; A61L 9/03; A61L 9/12; A61L
9/122; A61L 2209/11; A61L 2209/14;
A61L 2209/133; Y10S 261/17; Y10S

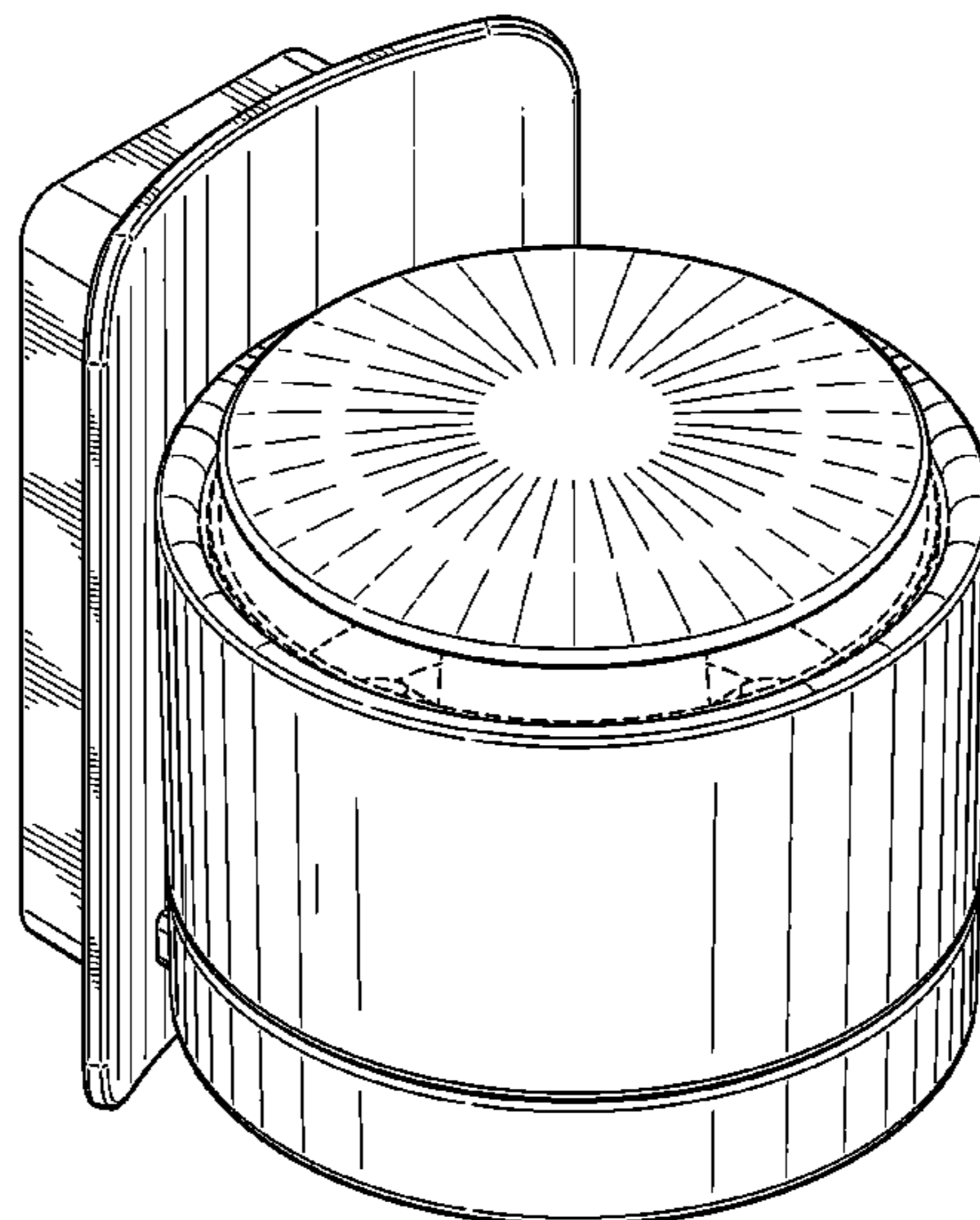
(57) **CLAIM**

The ornamental design for an air freshener, as shown and
described.

DESCRIPTION

FIG. 1 is an isometric view of an air freshener showing our
new design;
FIG. 2 is a front elevation view thereof;
FIG. 3 left side elevation view thereof, the right side view
being identical;
FIG. 4 is a top plan view thereof;
FIG. 5 is a bottom plan view thereof; and,
FIG. 6 is a rear elevation view thereof.
The broken lines shown in the figures are for the purpose of
illustrating portions of the air freshener and form no part of
the claimed design.

1 Claim, 6 Drawing Sheets



(56)

References Cited

U.S. PATENT DOCUMENTS

D859,625	S	9/2019	Yeats et al.	
D866,741	S	11/2019	Tran et al.	
D866,742	S	11/2019	Garcia et al.	
D866,744	S	11/2019	Gobber et al.	
D886,773	S *	6/2020	Zheng	D14/204
D913,475	S *	3/2021	Wu	D23/366
D916,267	S *	4/2021	Chen	D23/366
2022/0133935	A1 *	5/2022	Bing	A61L 9/01 239/58

* cited by examiner

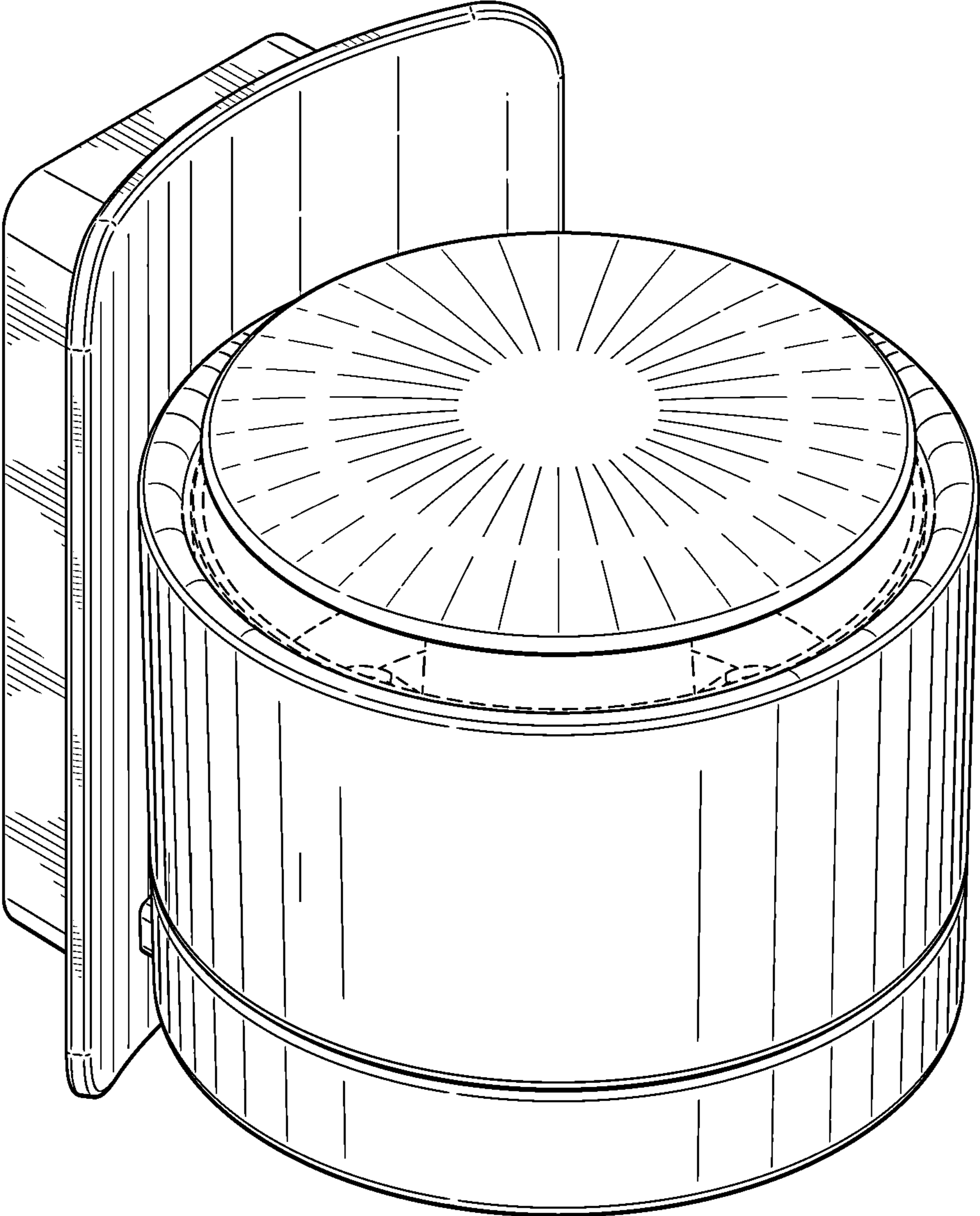


FIG. 1

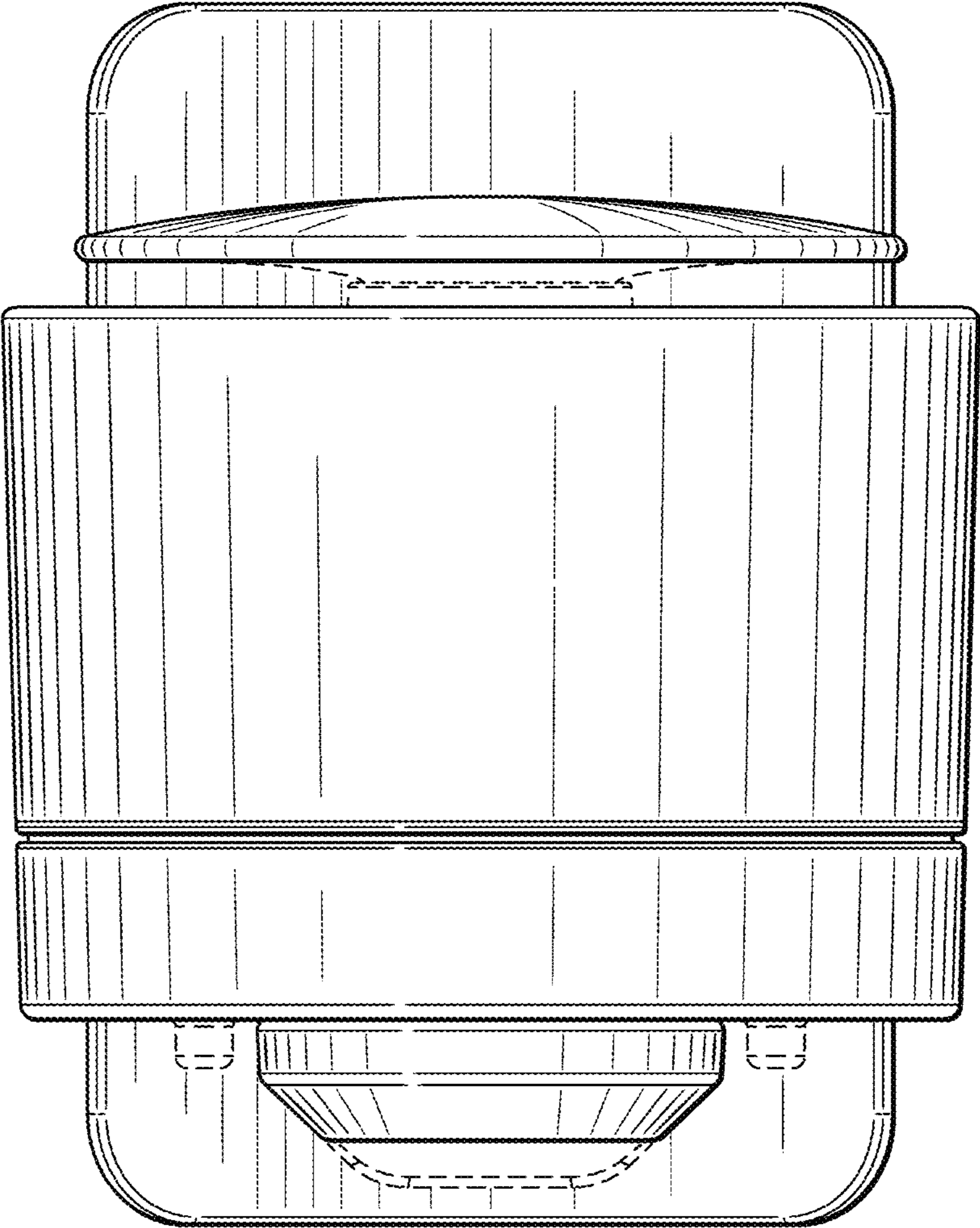


FIG. 2

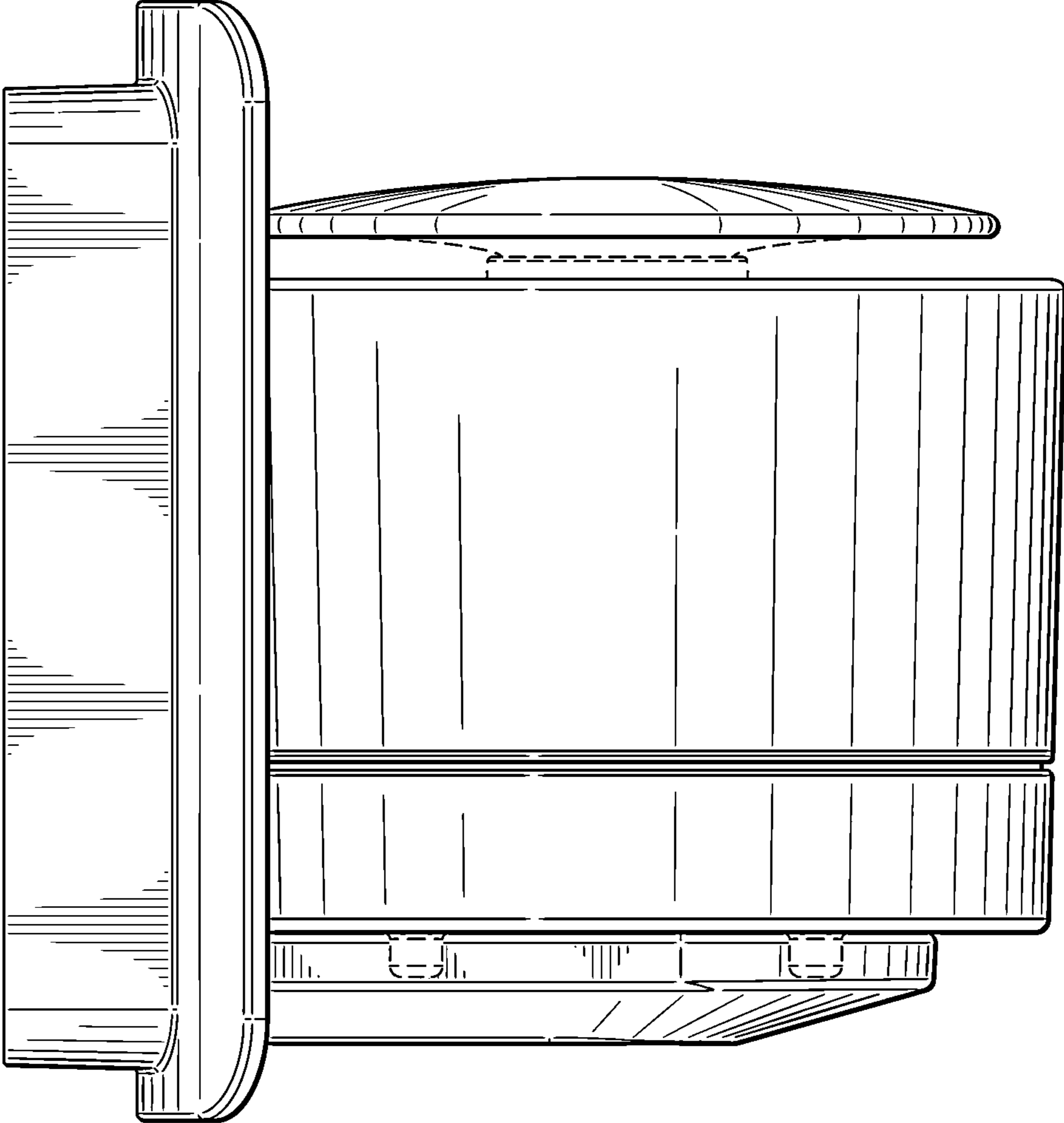


FIG. 3

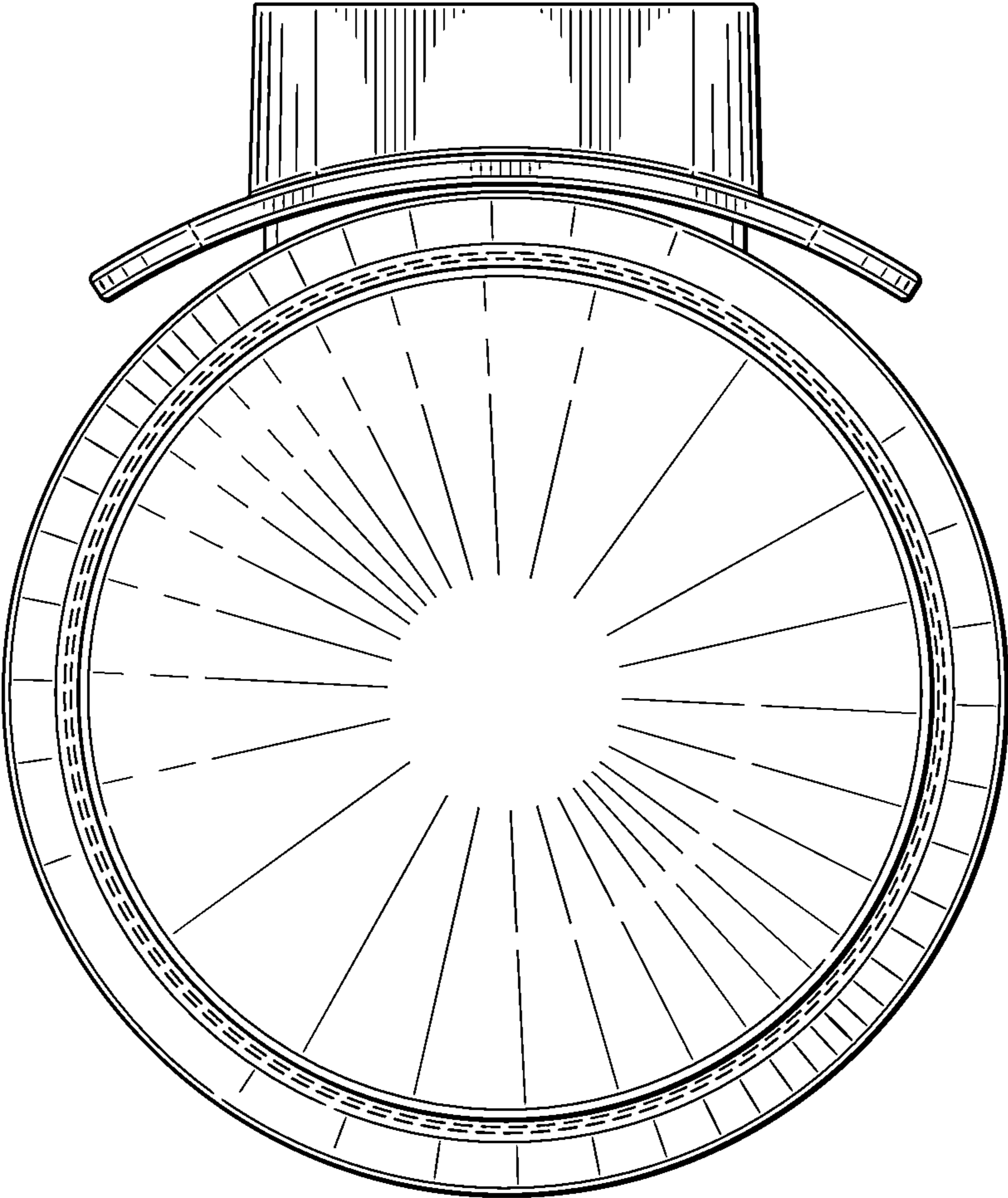


FIG. 4

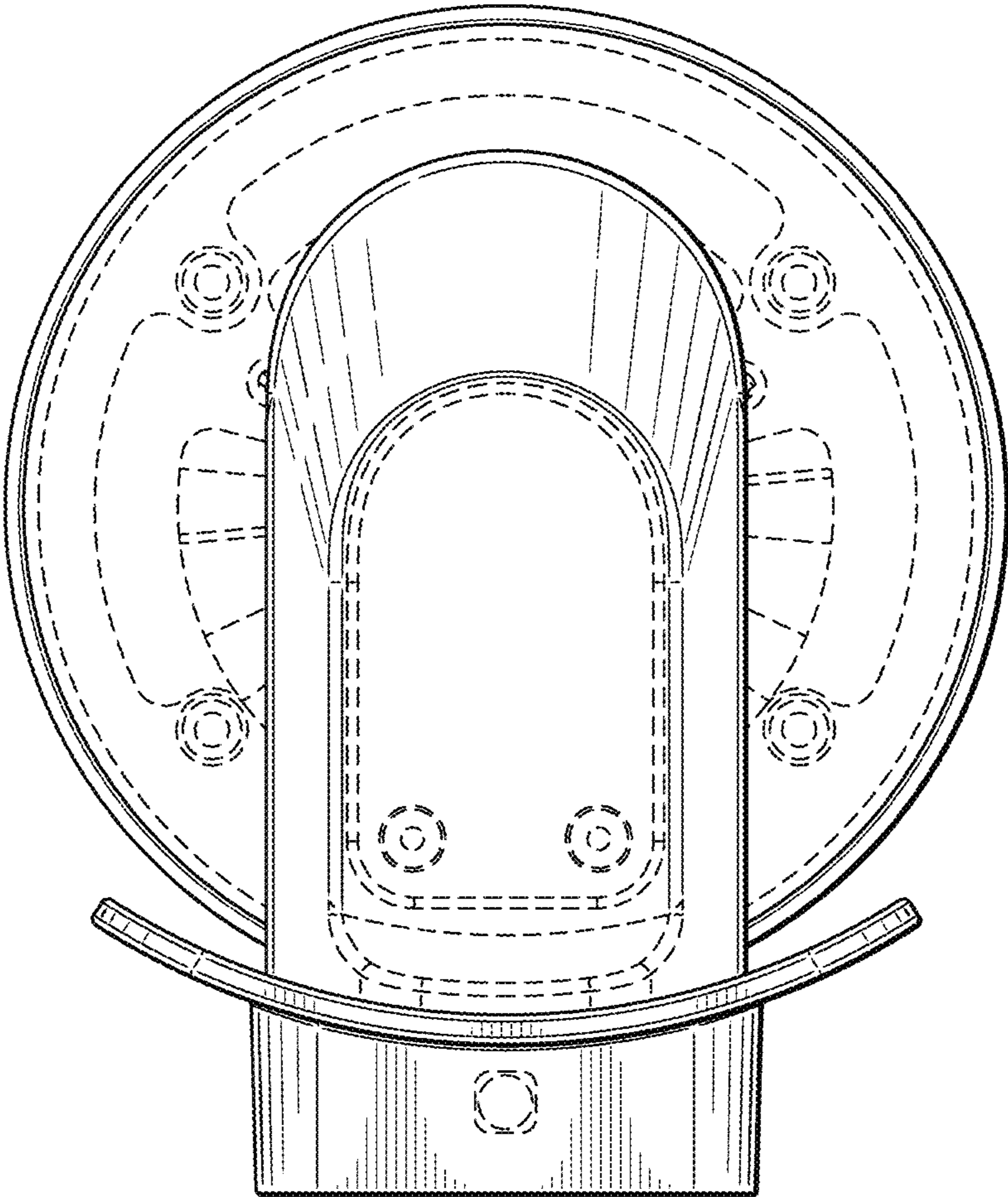


FIG. 5

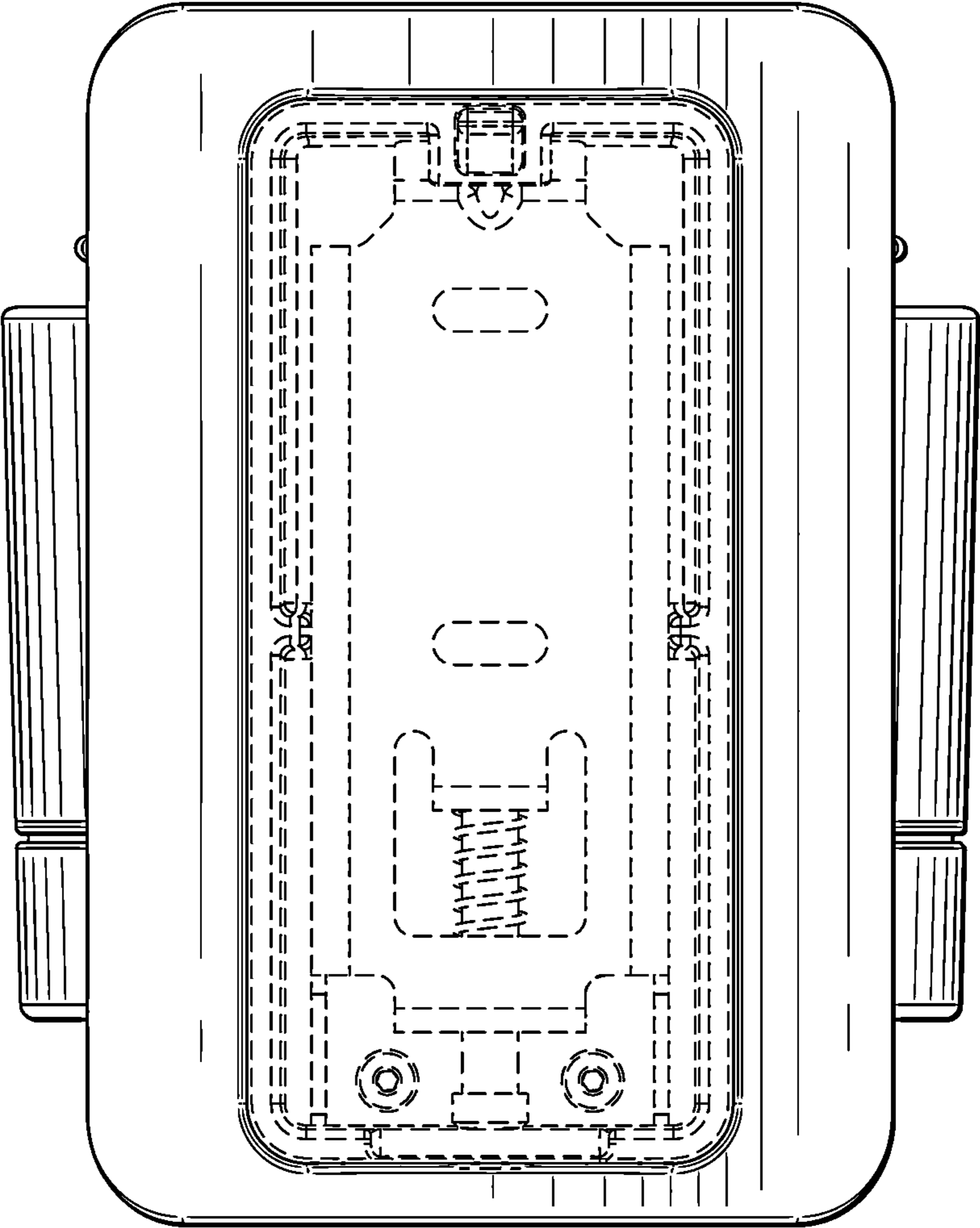


FIG. 6