



US00D972703S

(12) **United States Design Patent** (10) **Patent No.:** **US D972,703 S**  
**Lee** (45) **Date of Patent:** **\*\* Dec. 13, 2022**

(54) **AROMA DIFFUSER**

(71) Applicant: **Bloomy Lotus Ltd**, Hong Kong (HK)

(72) Inventor: **Leander Lee**, Hong Kong (HK)

(73) Assignee: **Bloomy Lotus Ltd**, Hong Kong (HK)

(\*\*) Term: **15 Years**

(21) Appl. No.: **29/818,472**

(22) Filed: **Dec. 9, 2021**

(30) **Foreign Application Priority Data**

Jun. 18, 2021 (CN) ..... 202130376480.2

(51) **LOC (13) Cl.** ..... **23-04**

(52) **U.S. Cl.**  
USPC ..... **D23/366**

(58) **Field of Classification Search**

USPC ..... D7/509, 510; D11/143, 152; D14/195,  
D14/204, 216, 221, 228, 242, 314, 496;  
D23/207, 208, 209, 213, 223, 333, 335,  
D23/336, 351, 352, 353, 355, 356, 358,  
D23/359, 360, 362, 364-366; D24/108,  
D24/112, 129; D26/26, 37, 40, 46, 49  
CPC ..... F24F 6/00; F24F 6/06; F24F 1/00; F24F  
1/02; F24F 1/022; A47G 7/06; A61M  
11/02; A61M 11/041; A61L 9/00; A61L  
9/03; A61L 9/12; A61L 9/122; A61L  
2209/11; A61L 2209/14; A61L 2209/133;  
Y10S 261/17; Y10S 261/88; Y10S  
261/89; B01D 46/10; B01D 46/0005;  
B01D 46/2411

See application file for complete search history.

(56) **References Cited**

U.S. PATENT DOCUMENTS

D595,829 S \* 7/2009 Drucker ..... D23/366  
D675,304 S \* 1/2013 Valentino ..... D23/366  
D793,543 S \* 8/2017 Alnæs ..... D23/364  
D840,013 S \* 2/2019 Zhang ..... D23/366  
D868,739 S \* 12/2019 Ryu ..... D14/216  
D903,082 S \* 11/2020 Arinsmier ..... D23/366  
D940,292 S \* 1/2022 Wang ..... D23/366  
D951,927 S \* 5/2022 Unter Ecker ..... D14/242

\* cited by examiner

*Primary Examiner* — Gino Colan

*Assistant Examiner* — David OBrien

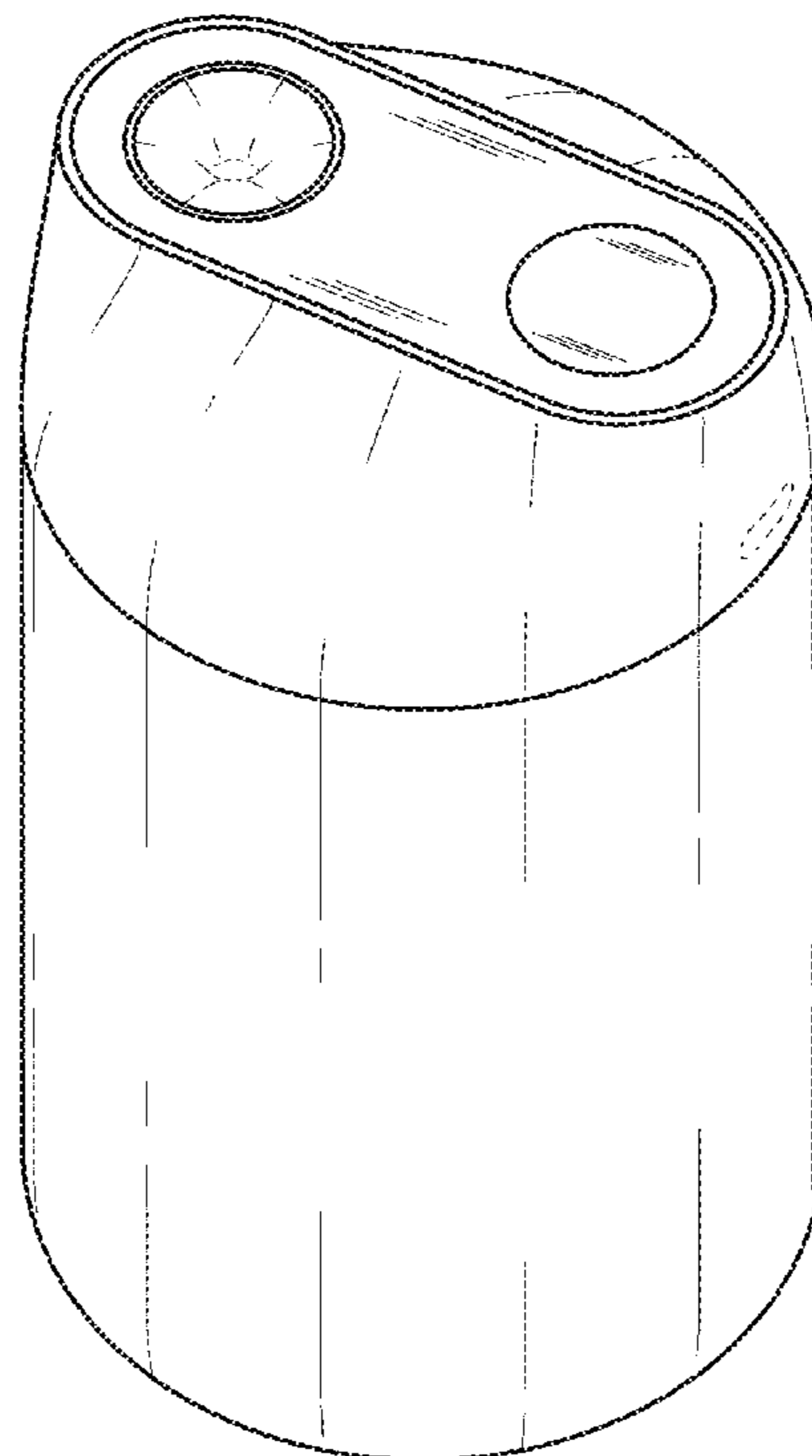
(57) **CLAIM**

The ornamental design for an aroma diffuser, as shown and described.

**DESCRIPTION**

FIG. 1 is a top, front and right side perspective view of an aroma diffuser showing my new design;  
FIG. 2 is a bottom, rear and right side perspective view thereof;  
FIG. 3 is a front elevational view thereof;  
FIG. 4 is a rear elevational view thereof;  
FIG. 5 is a left side view thereof;  
FIG. 6 is a right side view thereof;  
FIG. 7 is a top plan view thereof; and,  
FIG. 8 is a bottom plan view thereof.  
The broken lines in the drawings illustrate portions of the aroma diffuser which form no part of the claimed design.

**1 Claim, 8 Drawing Sheets**



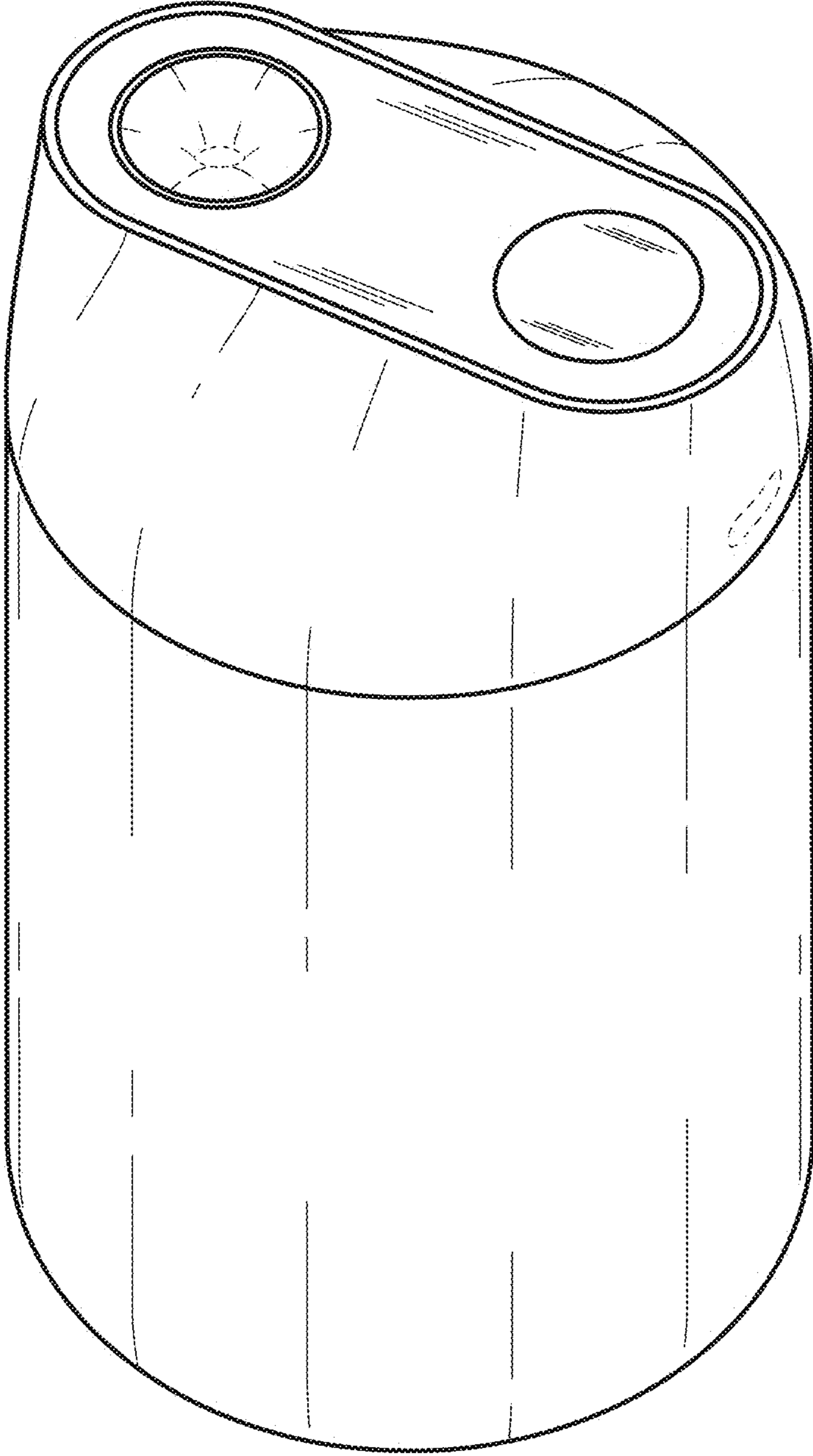


Fig. 1

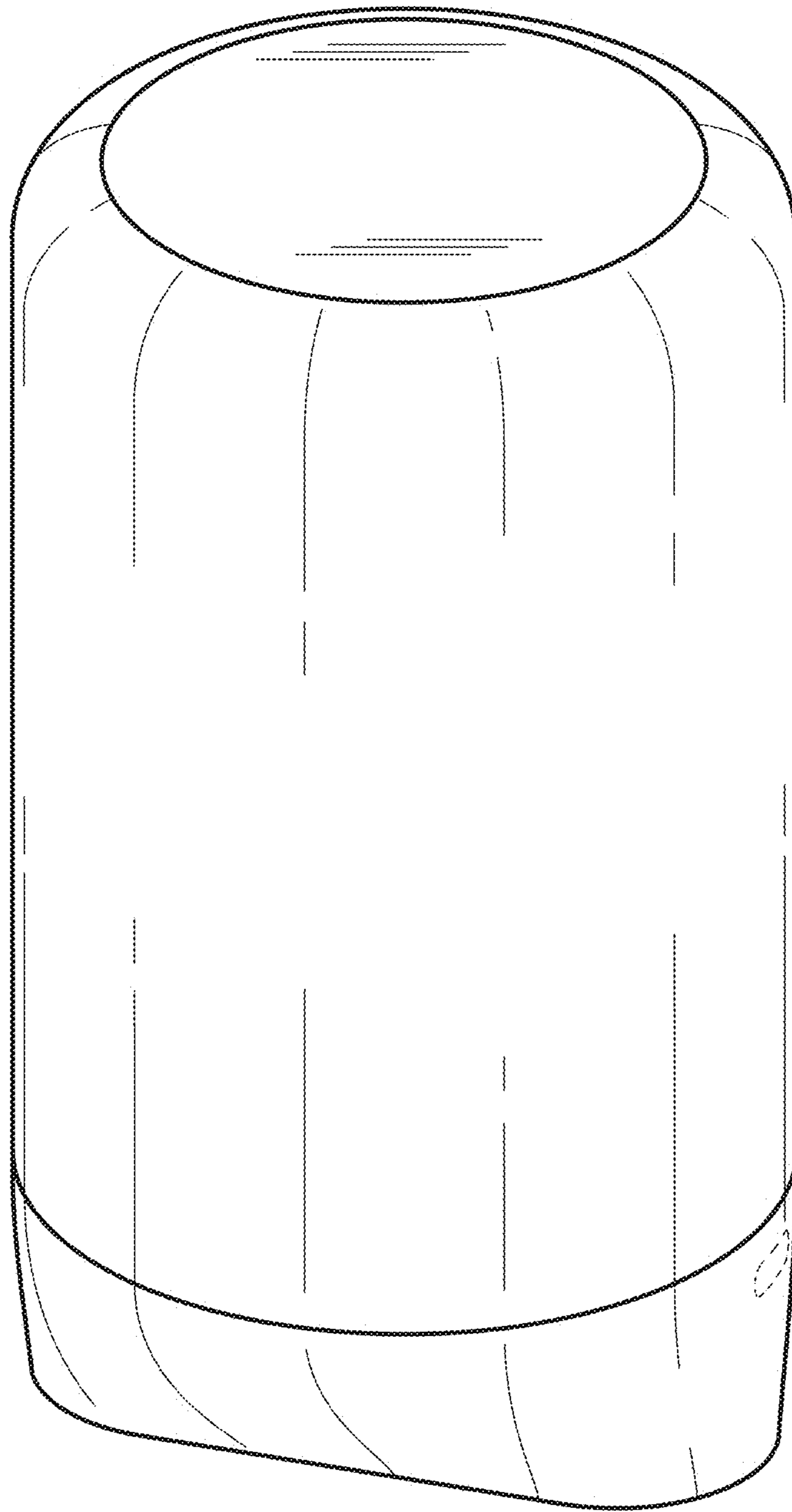


Fig. 2

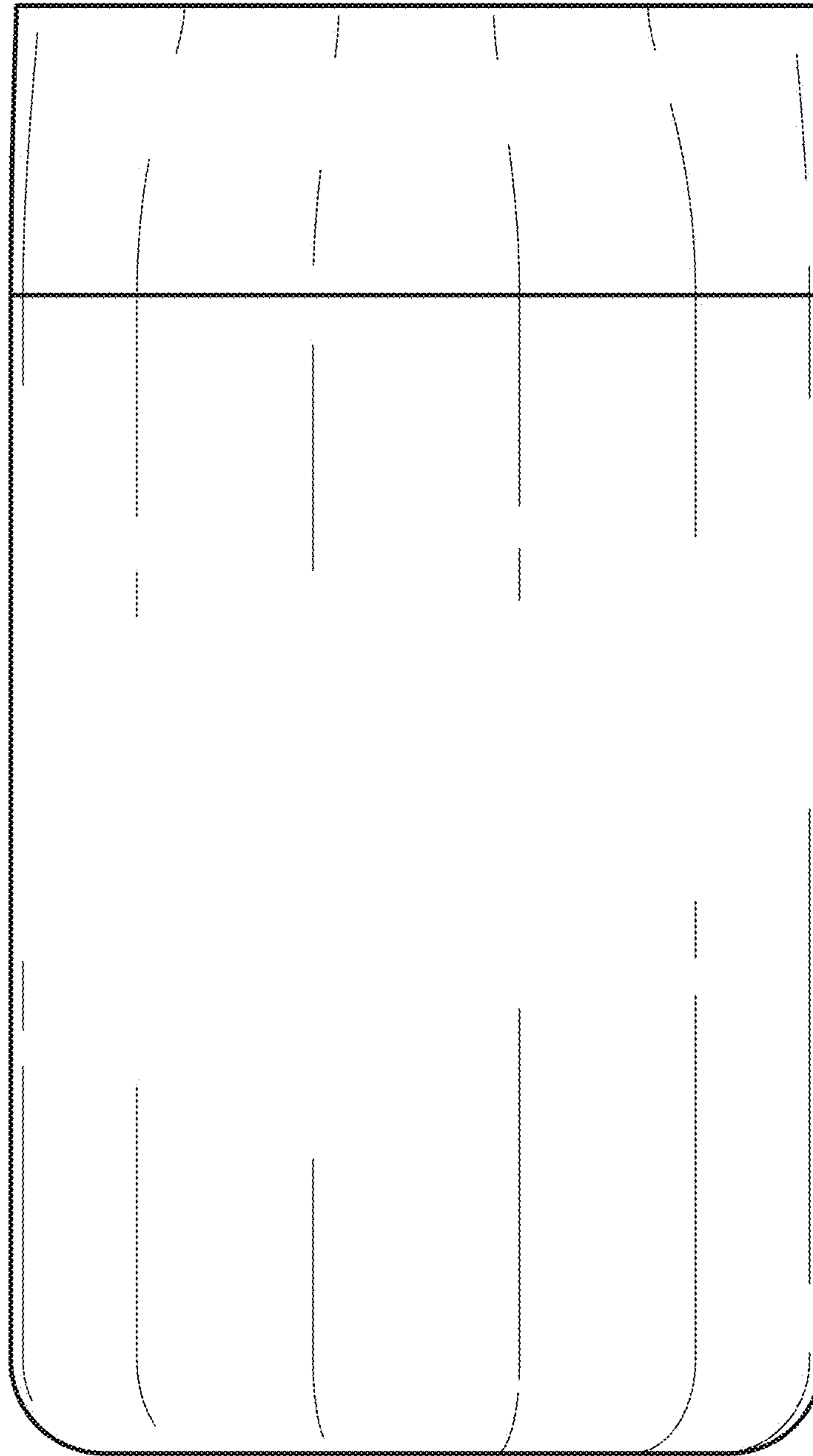


Fig. 3

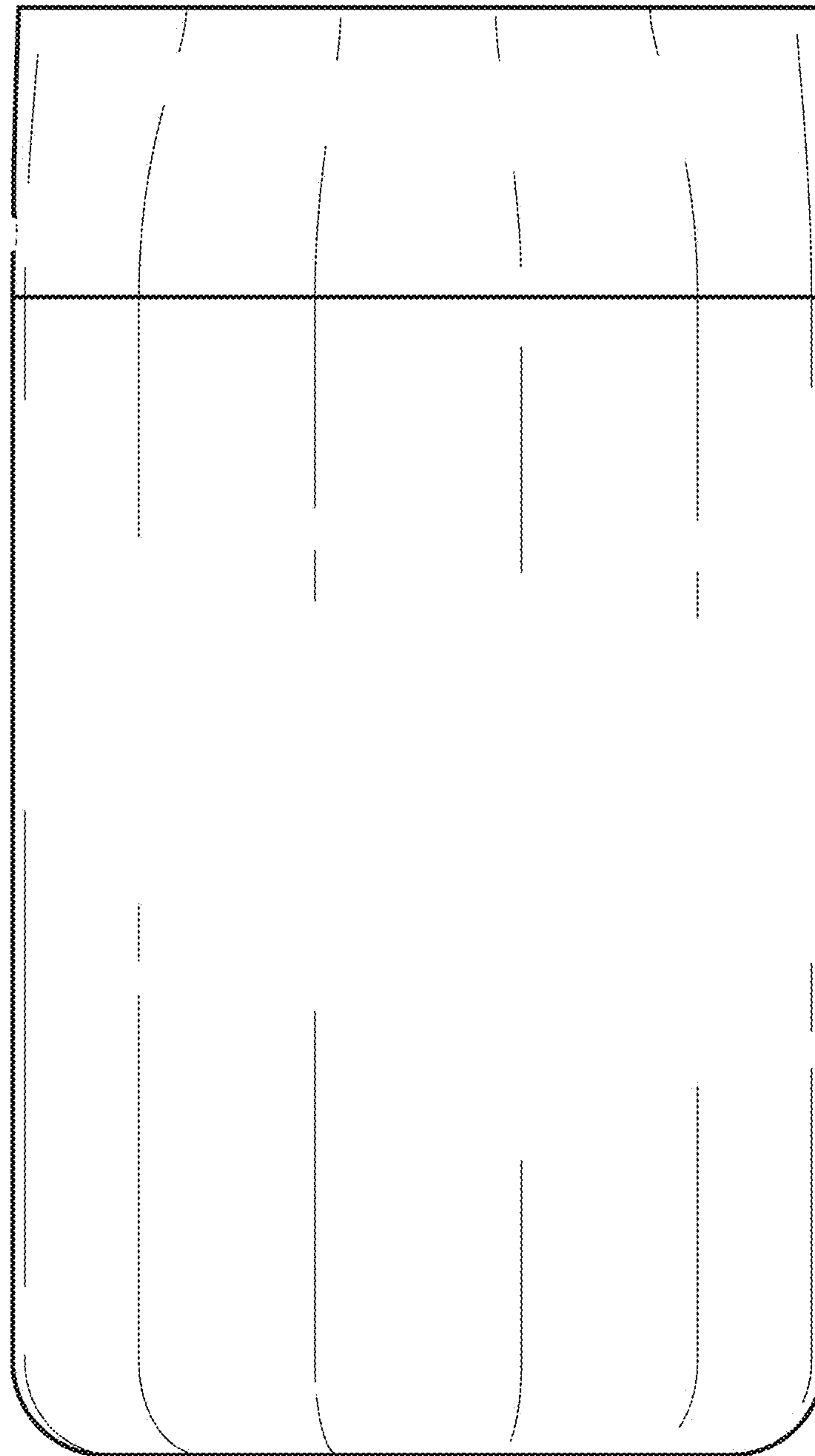


Fig. 4

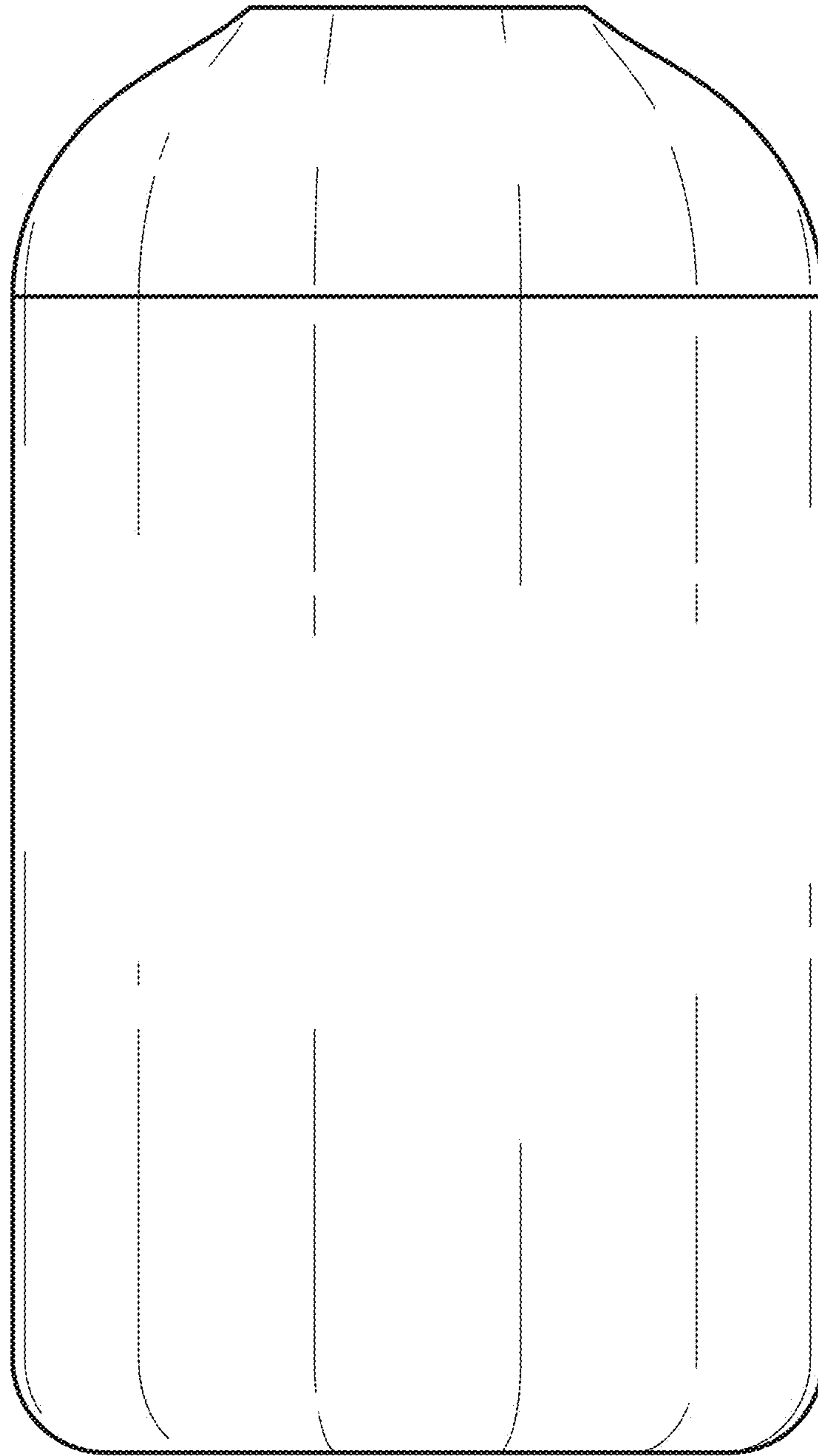


Fig. 5

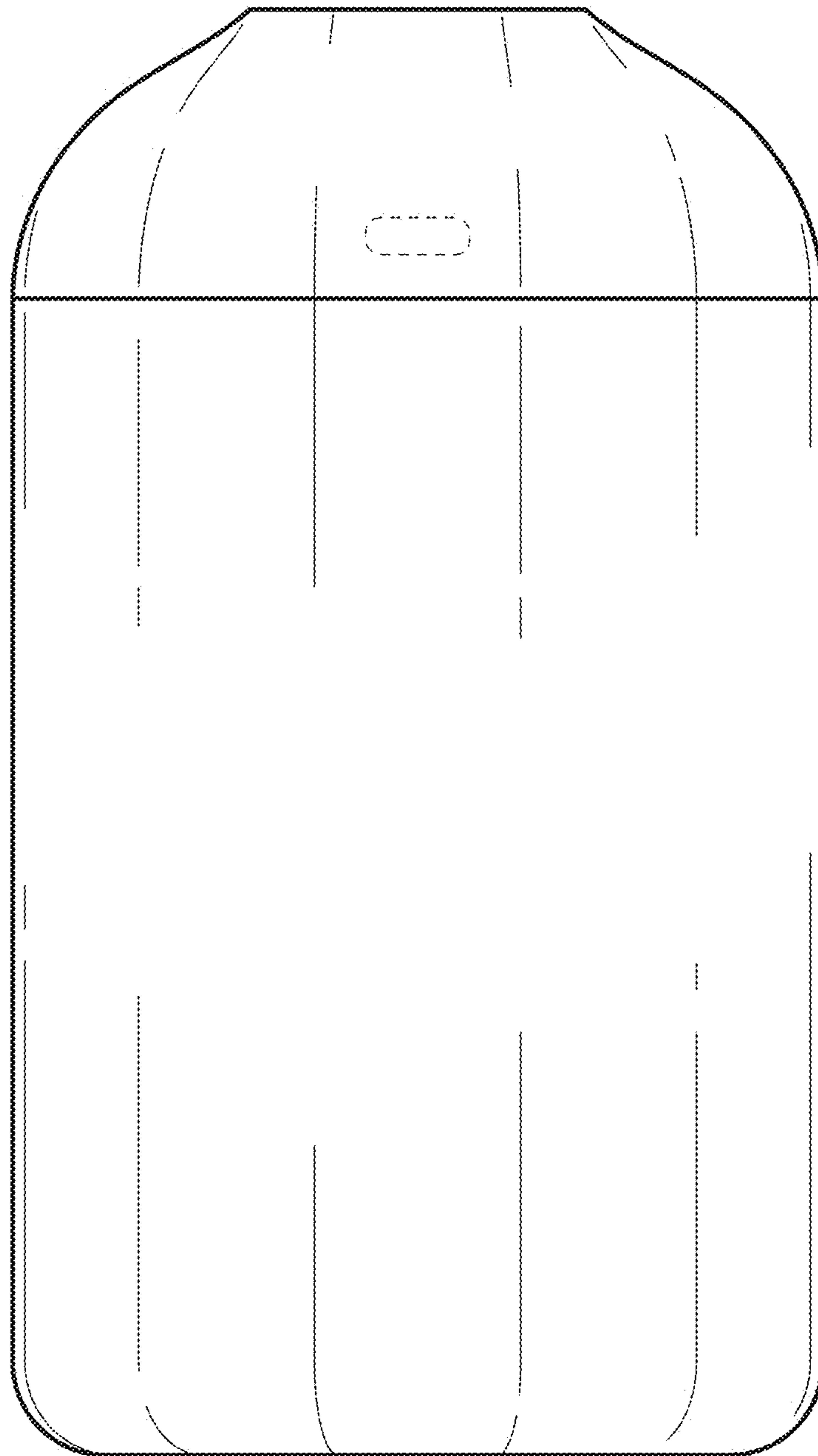


Fig. 6

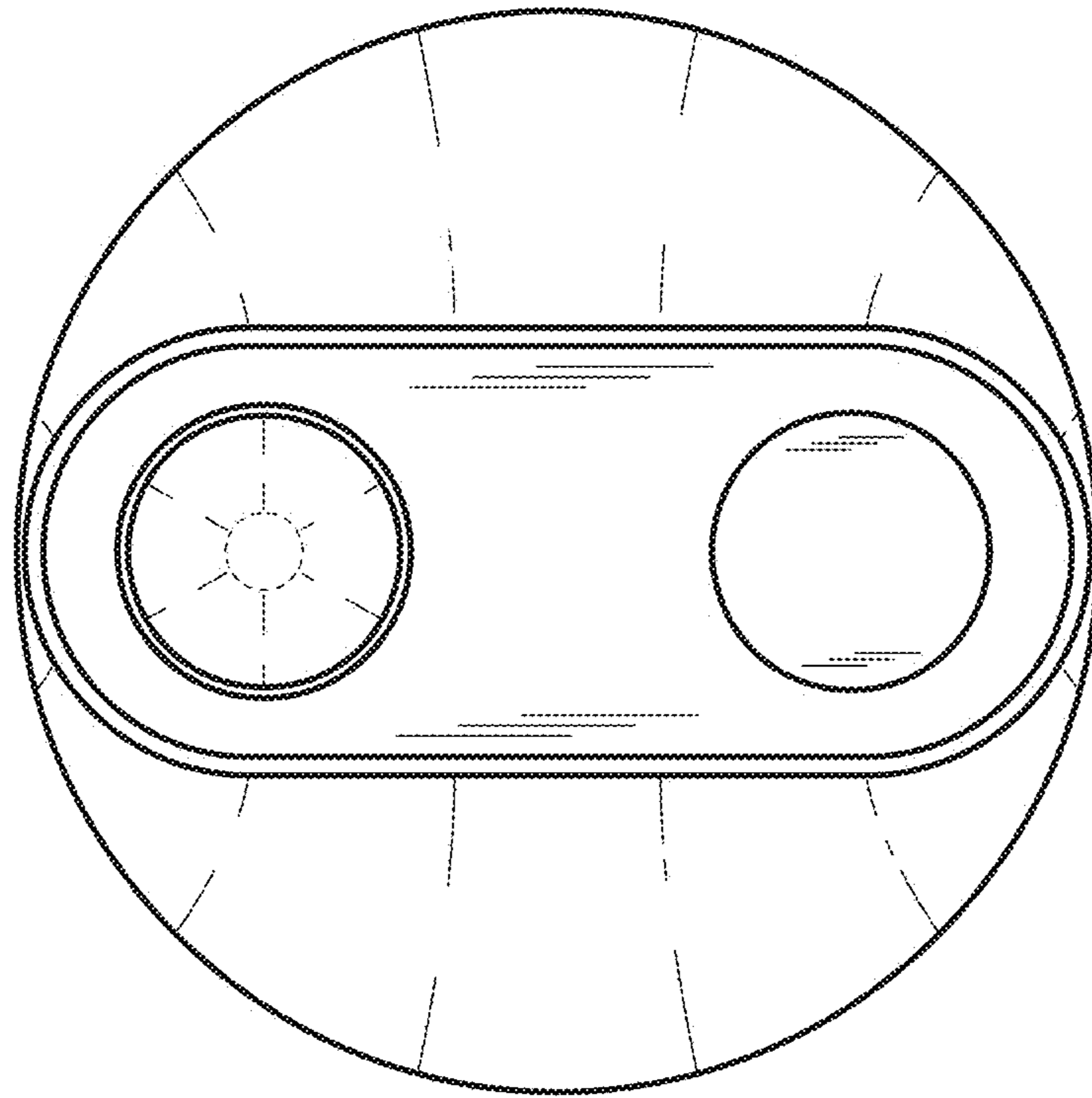


Fig. 7



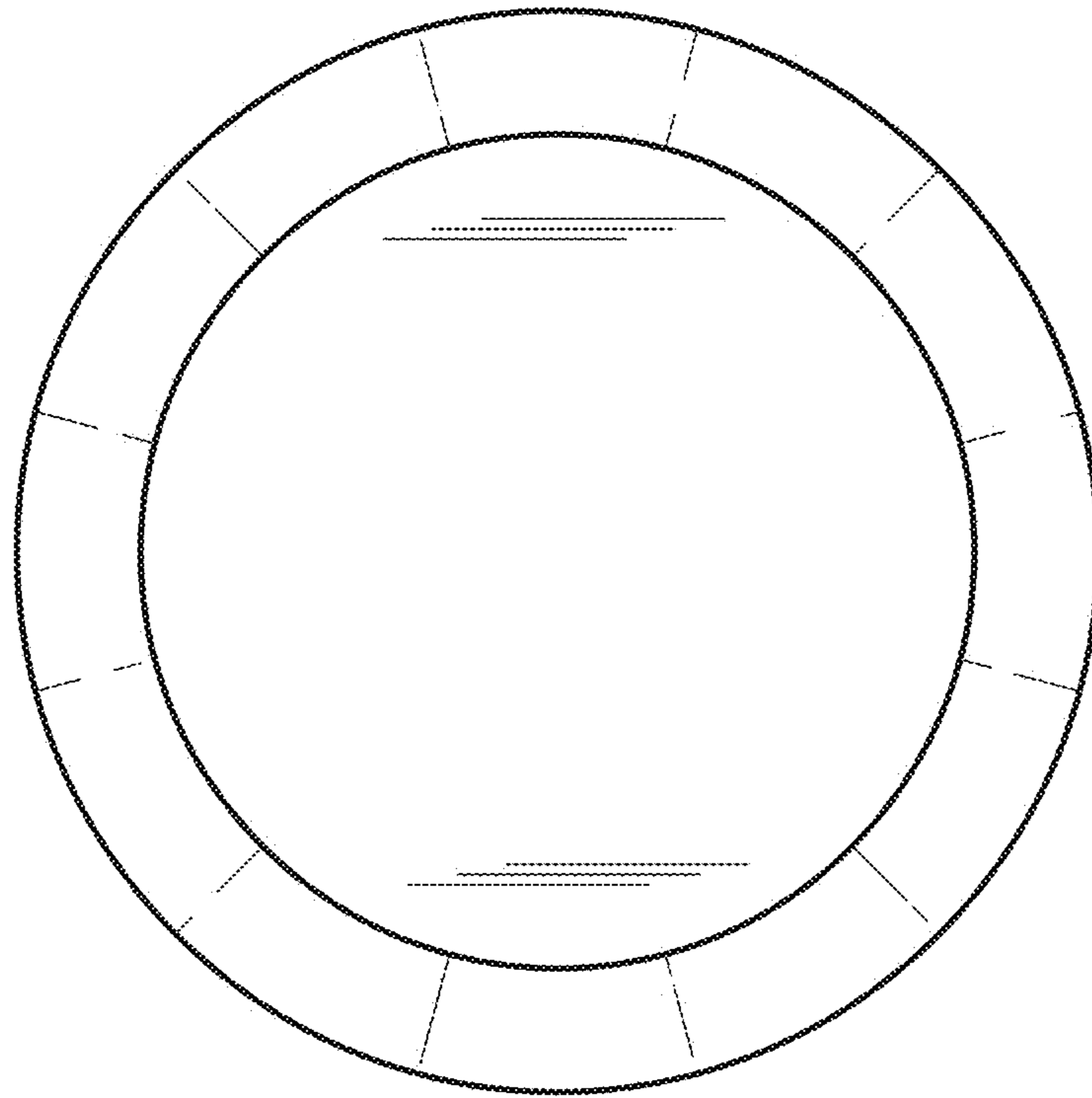


Fig. 8