



US00D972699S

(12) **United States Design Patent**
Huang

(10) **Patent No.:** **US D972,699 S**

(45) **Date of Patent:** **** Dec. 13, 2022**

(54) **AROMA DIFFUSER**

(71) Applicant: **Xuepeng Huang**, Shanwei (CN)

(72) Inventor: **Xuepeng Huang**, Shanwei (CN)

(**) Term: **15 Years**

(21) Appl. No.: **29/801,210**

(22) Filed: **Jul. 28, 2021**

(51) **LOC (13) Cl.** **23-04**

(52) **U.S. Cl.**
USPC **D23/365**

(58) **Field of Classification Search**

USPC D23/213, 314, 332–336, 341, 355–369,
D23/370, 378; D26/26, 40, 46, 49, 97,
D26/123, 124; D14/125, 195, 204, 221,
D14/228, 240, 253, 348, 350, 358, 496;
D12/415; D21/332; D11/143, 146, 152,
D11/153

CPC A61L 9/03; A61L 9/04; A61L 9/05; A61L
9/12; A61L 9/14; A61L 9/012; A61L
9/015; A61L 9/048; A61L 9/122; A61L
9/127; A61L 2209/11; A61L 2209/14;
A61L 2209/133; Y10S 261/17; Y10S
261/88; Y10S 261/89; H04B 1/3877;
F24F 6/00; F24F 6/06; F24F 1/00; F24F
1/02; F24F 1/022

See application file for complete search history.

(56) **References Cited**

U.S. PATENT DOCUMENTS

D388,510 S * 12/1997 Rick D23/365
D507,340 S * 7/2005 Shapiro D23/335

D542,901 S * 5/2007 Christianson D23/364
D562,952 S * 2/2008 Lewis D23/336
D586,450 S * 2/2009 Lewis D23/341
D604,817 S * 11/2009 Lee D23/332
D634,411 S * 3/2011 Shapiro D23/314
D846,726 S * 4/2019 Lewis D23/378

* cited by examiner

Primary Examiner — Gino Colan
Assistant Examiner — David Obrien

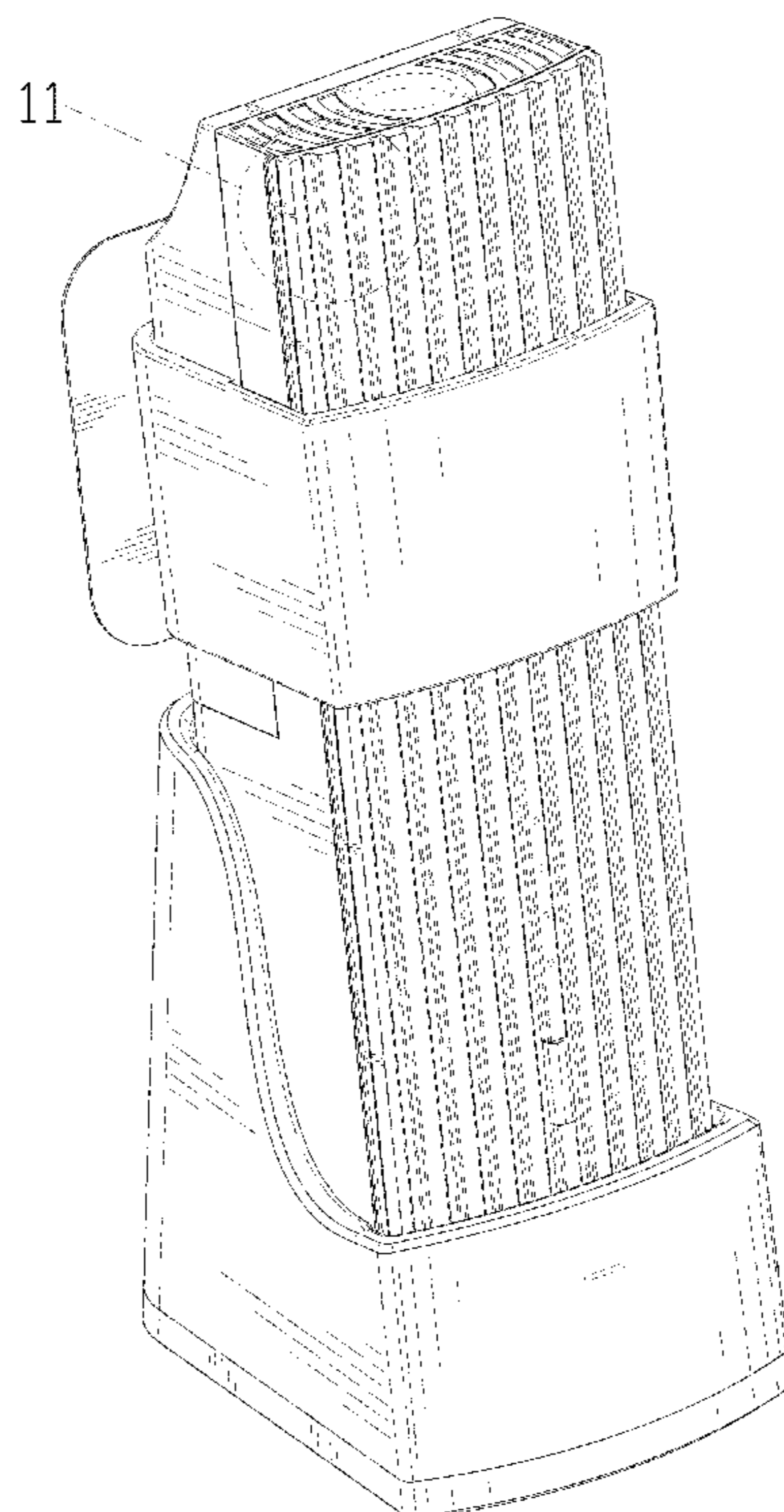
(57) **CLAIM**

The ornamental design for an aroma diffuser, as shown and described.

DESCRIPTION

FIG. 1 is a perspective view of an aroma diffuser showing my new design;
FIG. 2 is another perspective view thereof;
FIG. 3 is a front elevational view thereof;
FIG. 4 is a rear elevational view thereof;
FIG. 5 is a left side elevational view thereof;
FIG. 6 is a right side elevational view thereof;
FIG. 7 is a top plan view thereof;
FIG. 8 is a bottom plan view thereof;
FIG. 9 is an exploded perspective view of the aroma diffuser;
FIG. 10 is another exploded perspective view thereof; and,
FIG. 11 is a enlarged view of portion 11 shown in FIG. 1.
The dash-dash broken lines in the drawings depict portions of the aroma diffuser that form no part of the claimed design. The dot-dash broken lines represent the boundary of the enlarged portion and form no part of the claimed design.

1 Claim, 11 Drawing Sheets



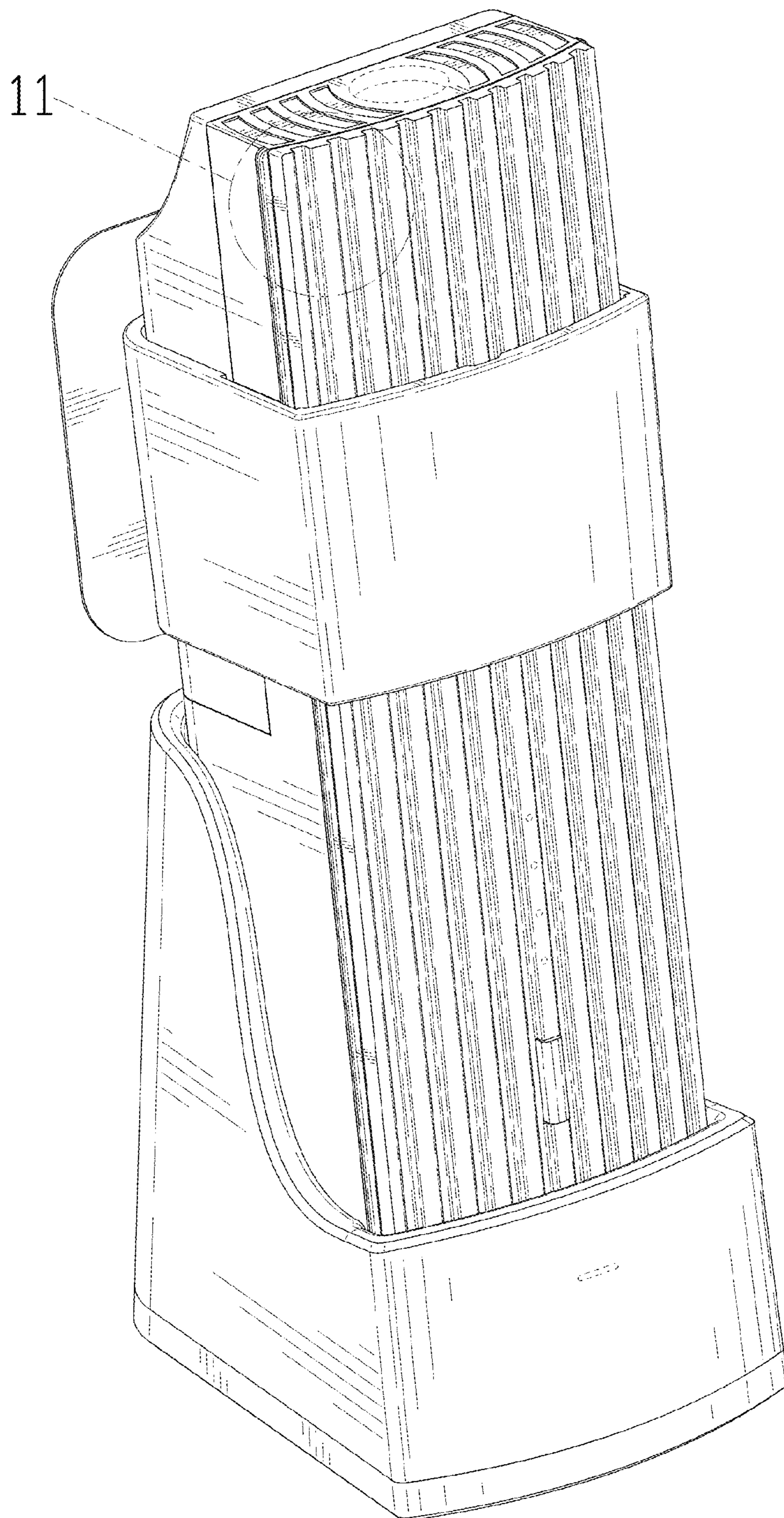


FIG. 1

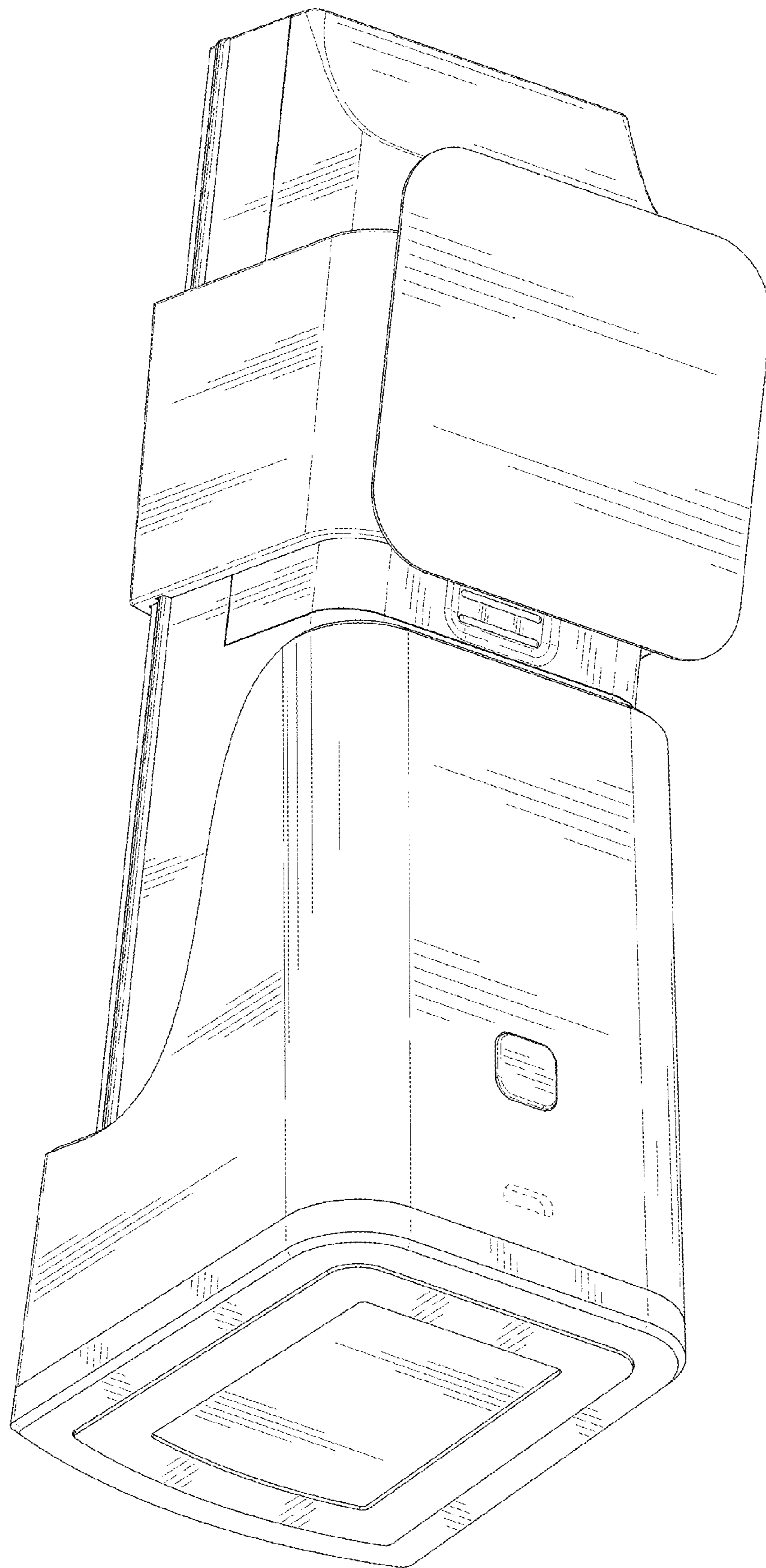


FIG. 2

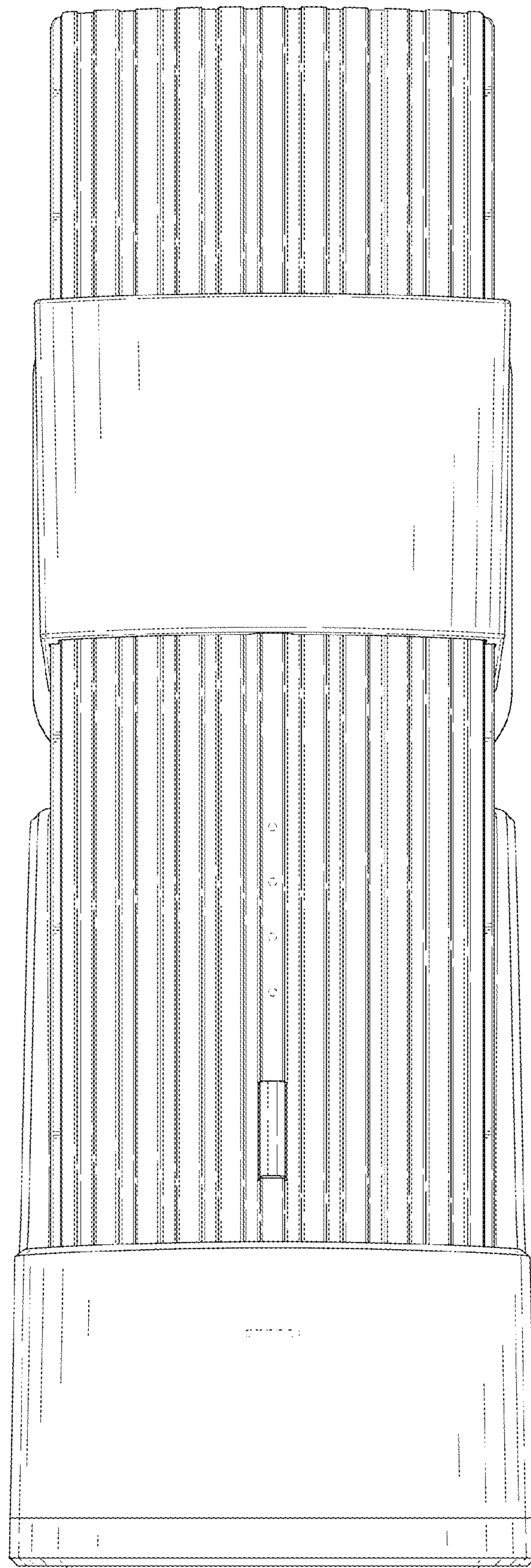


FIG. 3

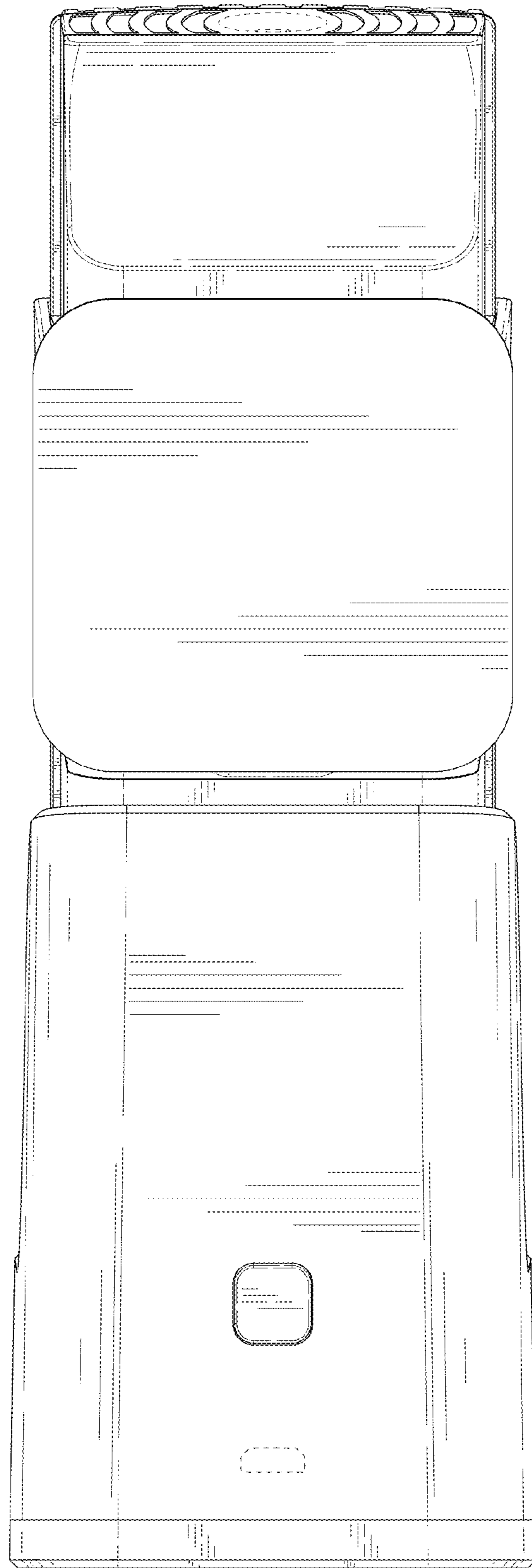


FIG. 4

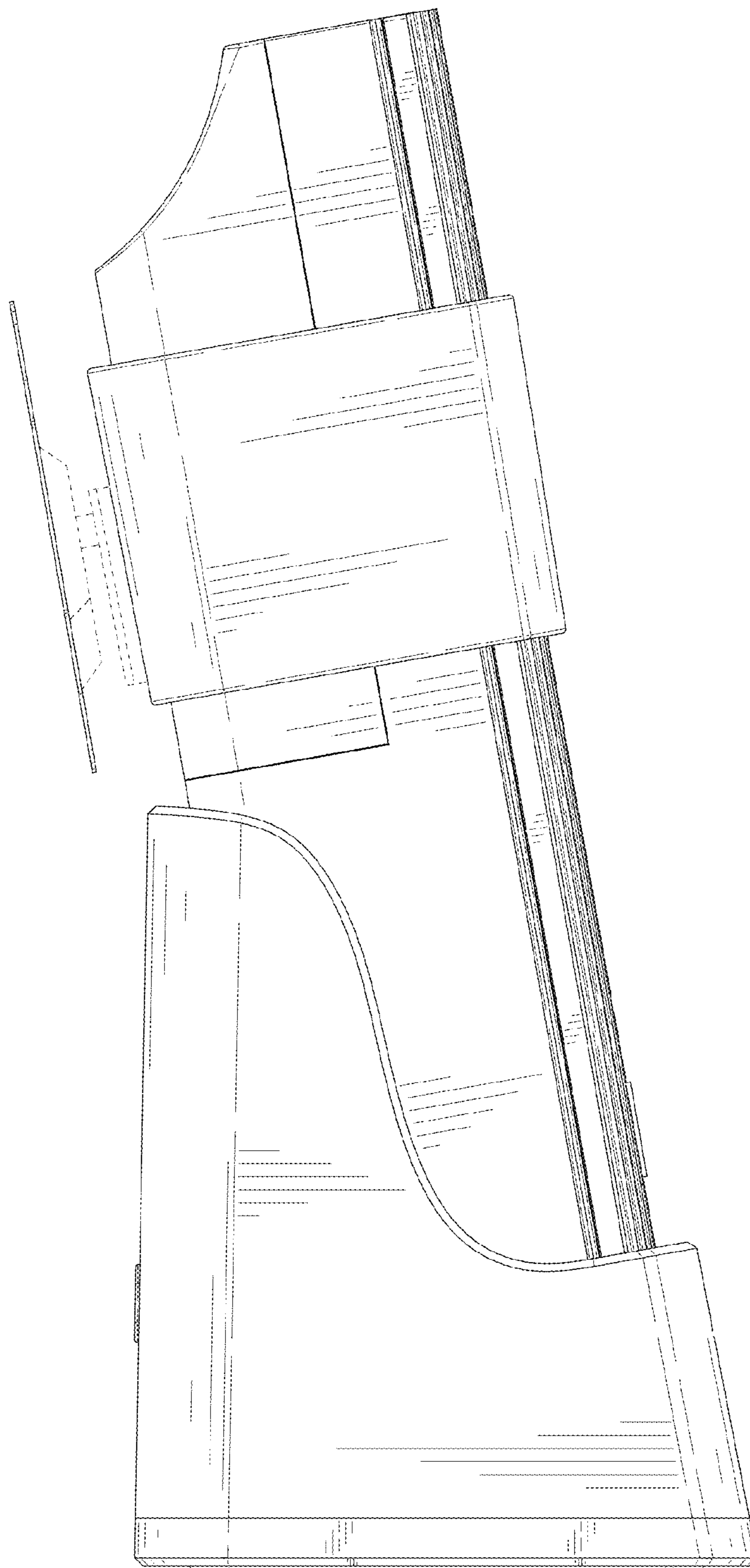


FIG. 5

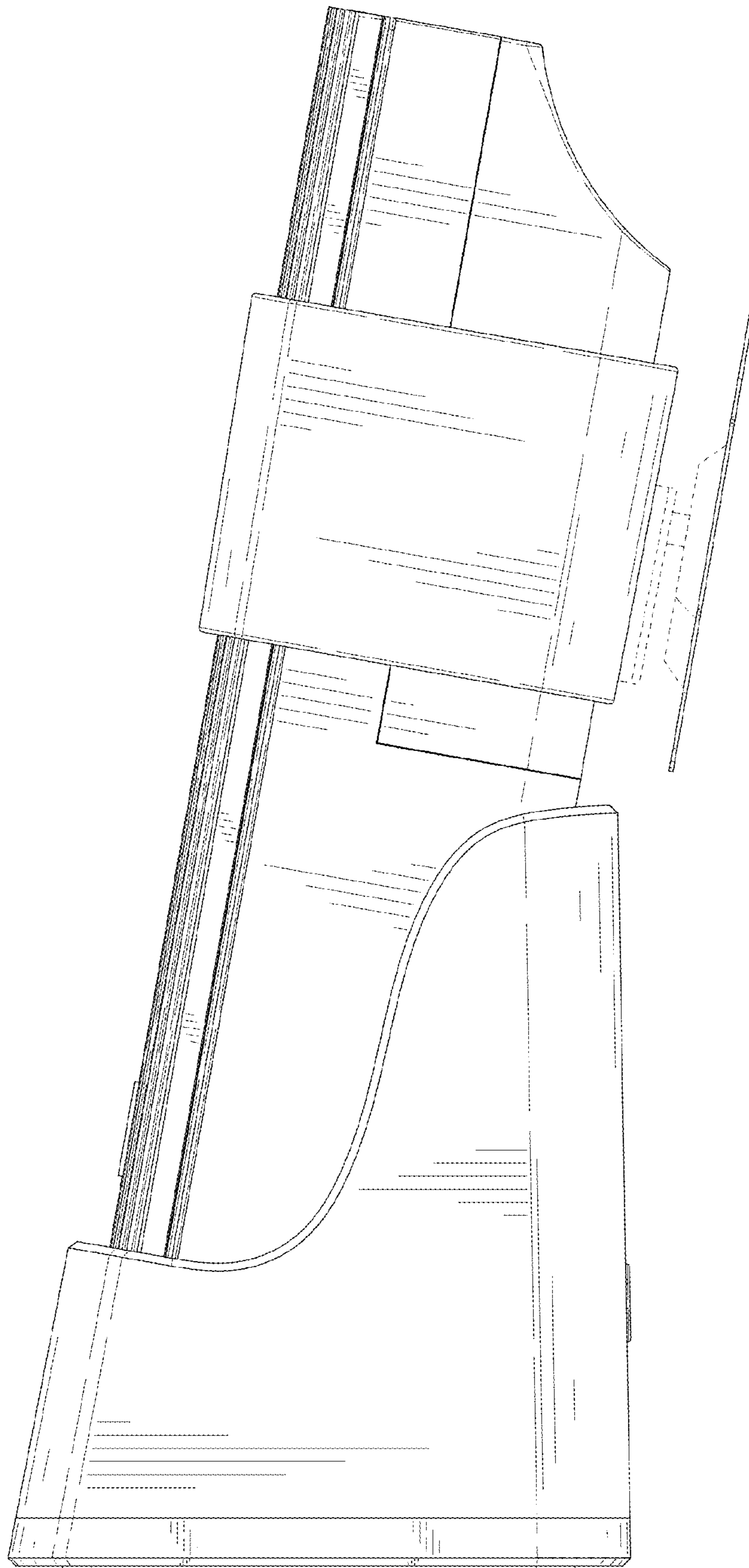


FIG. 6

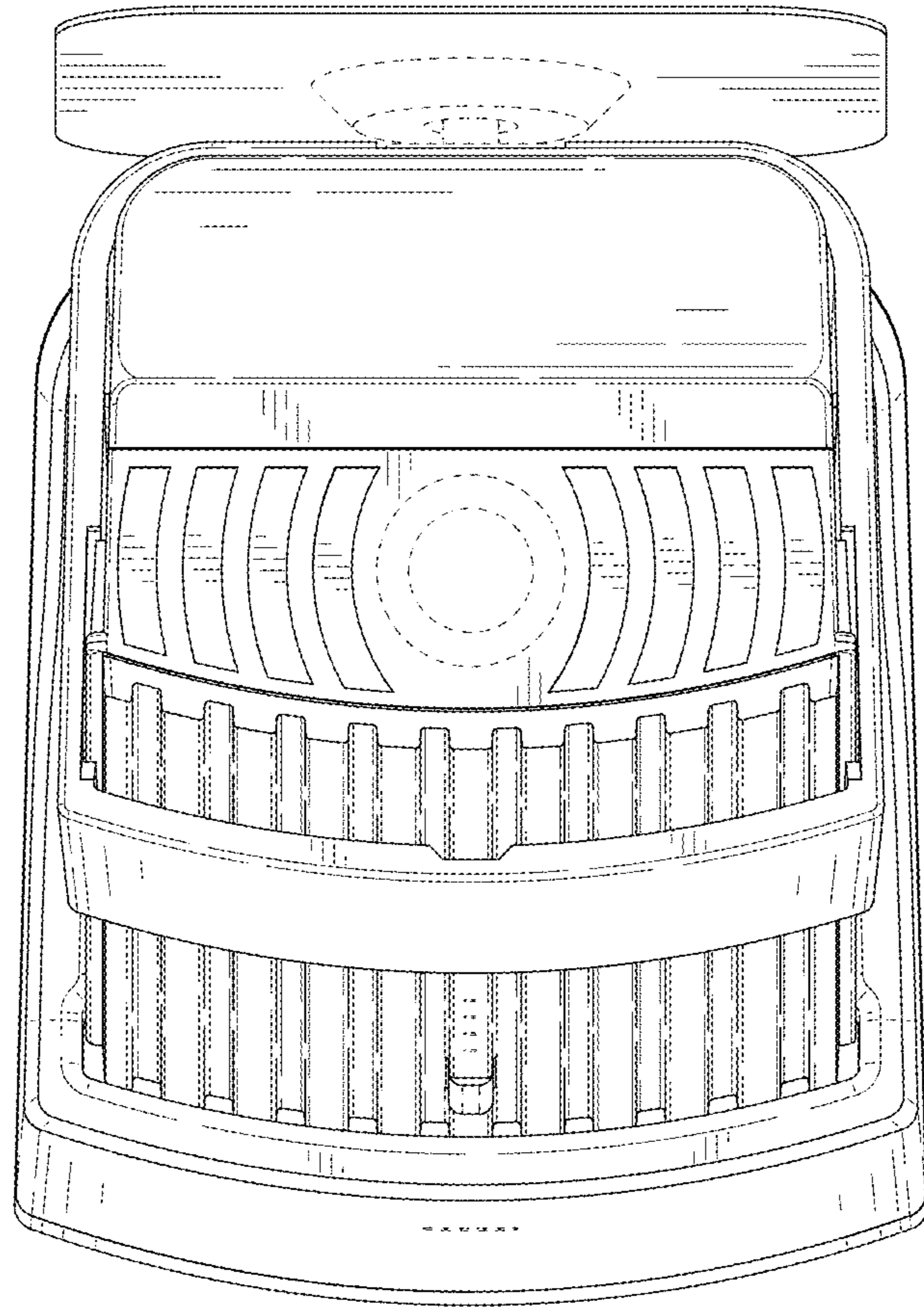


FIG. 7

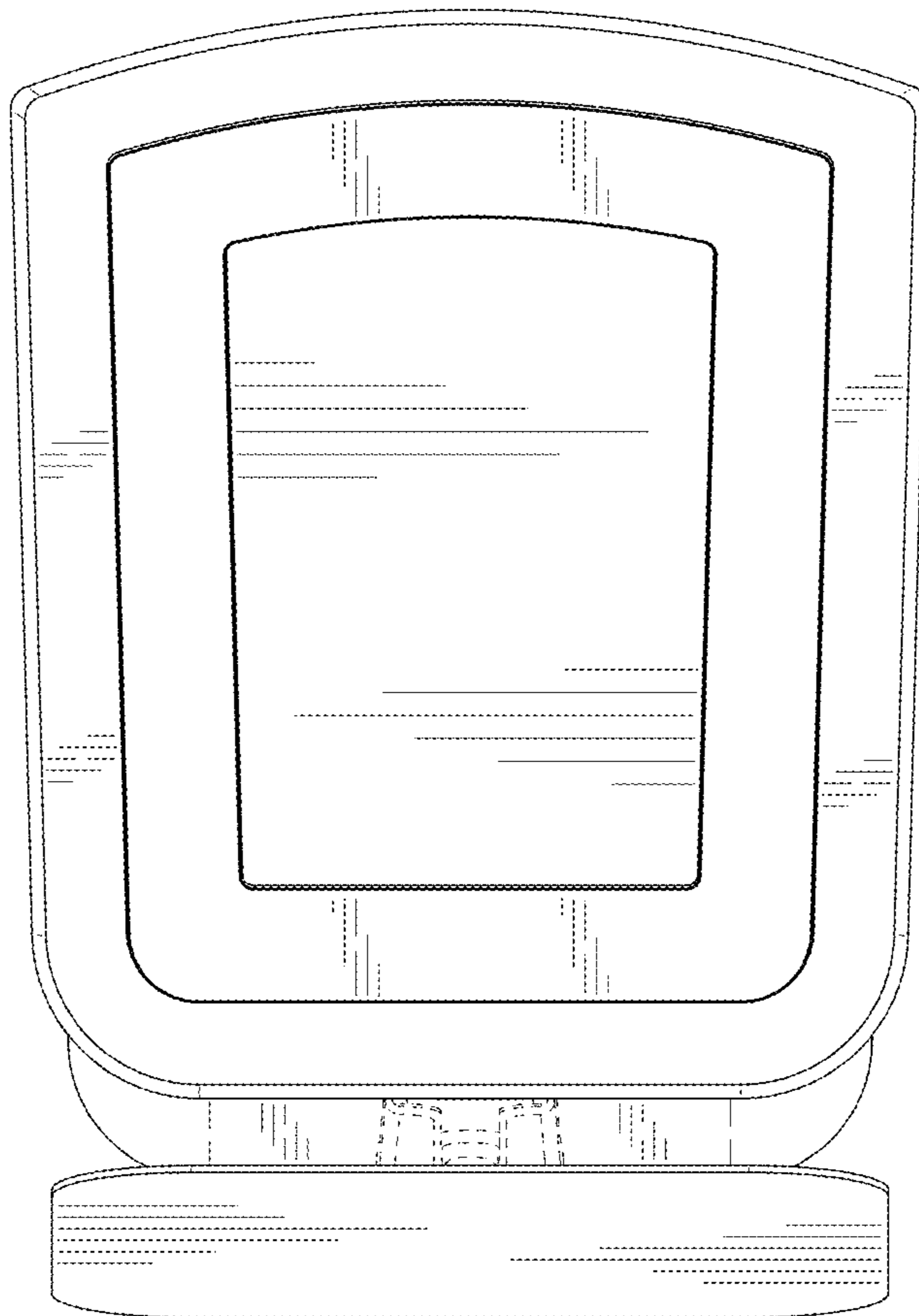


FIG. 8

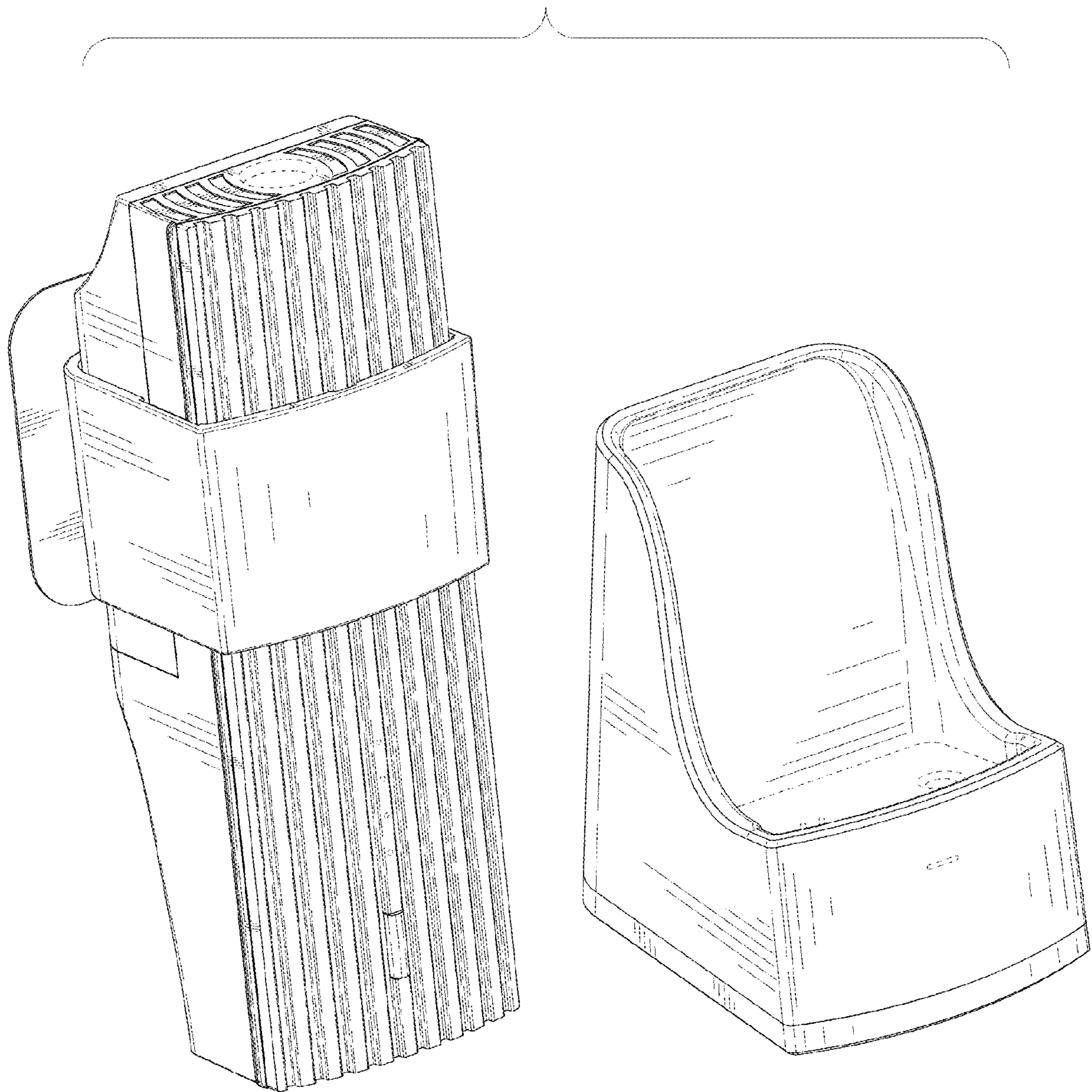


FIG. 9

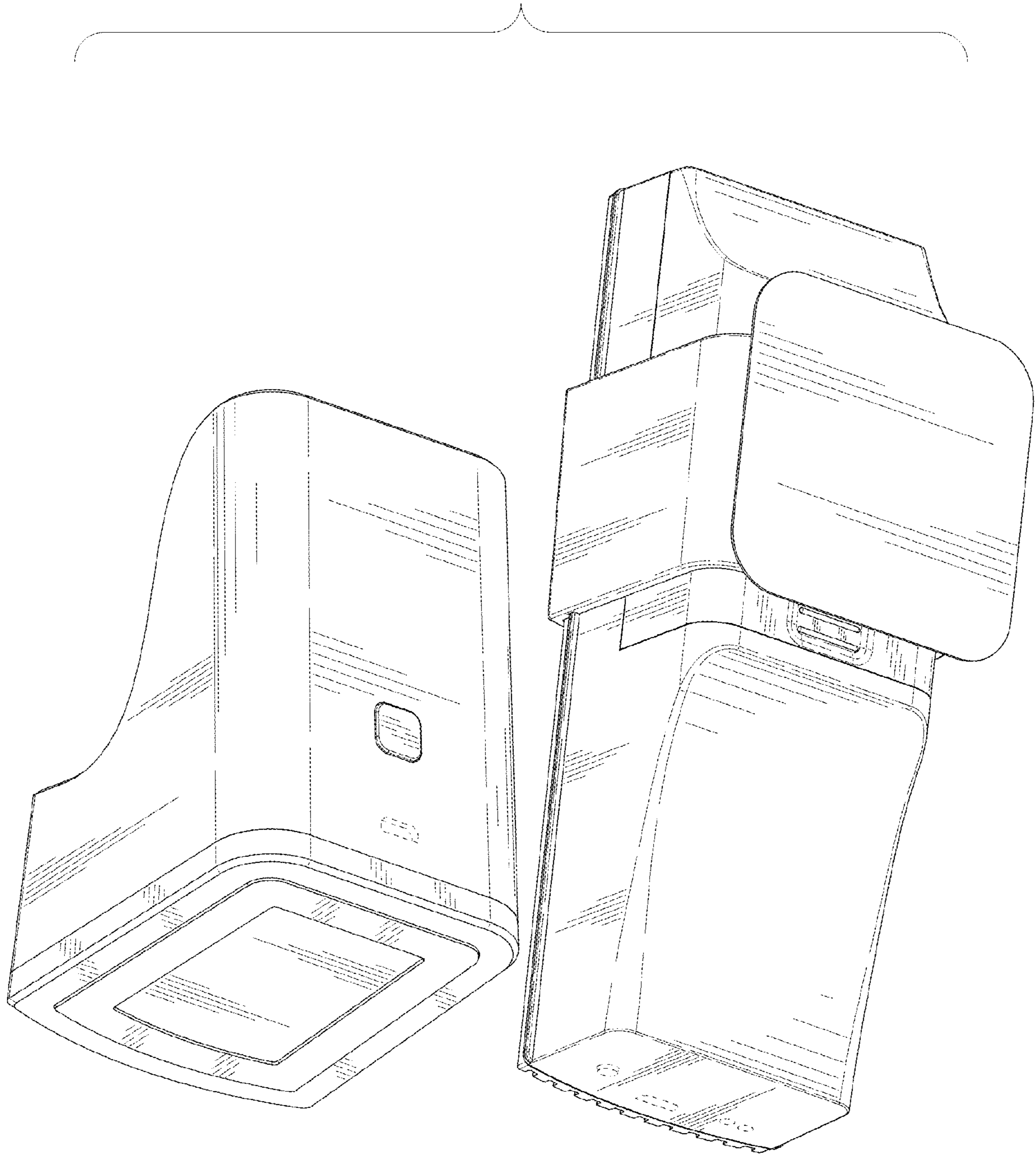


FIG. 10

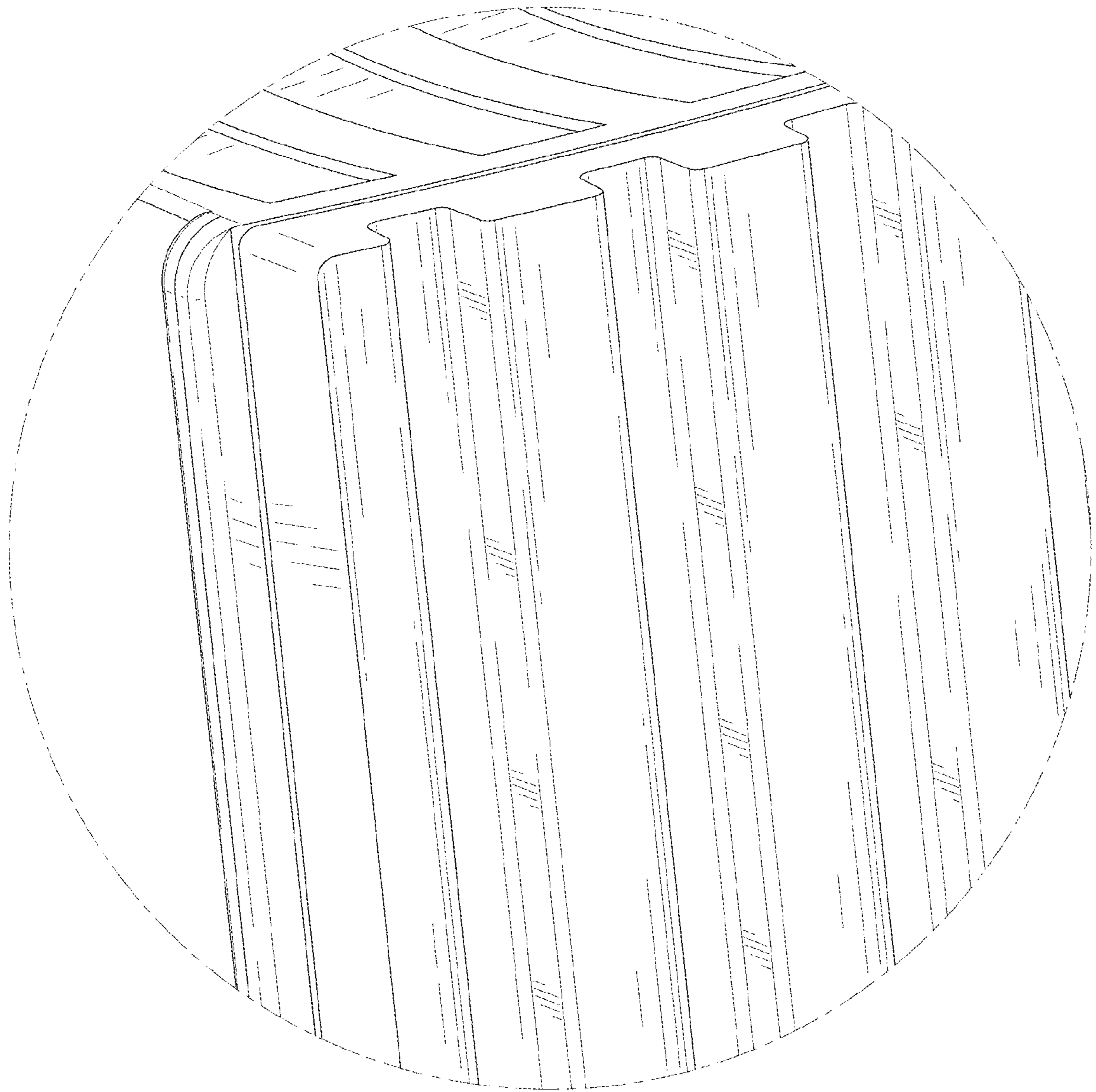


FIG. 11