



US00D972695S

(12) **United States Design Patent** (10) **Patent No.:** **US D972,695 S**
Zhao (45) **Date of Patent:** **** Dec. 13, 2022**

(54) **HUMIDIFIER**

(71) Applicant: **Wenqin Zhao**, Shenzhen (CN)

(72) Inventor: **Wenqin Zhao**, Shenzhen (CN)

(**) Term: **15 Years**

(21) Appl. No.: **29/812,158**

(22) Filed: **Oct. 20, 2021**

(51) **LOC (13) Cl.** **23-04**

(52) **U.S. Cl.**
USPC **D23/356**

(58) **Field of Classification Search**
USPC D23/355-366, 352, 369, 332, 333, 335,
D23/336, 342, 351
CPC .. A61L 9/16; A61L 9/22; B01D 47/00; B01D
47/027; B01D 2221/02; B01D 2259/4508;
B03C 3/155; B03C 3/368; F24F 3/16;
F24F 13/20; F24F 13/28
See application file for complete search history.

(56) **References Cited**

U.S. PATENT DOCUMENTS

D651,301 S * 12/2011 Albee D23/366
D755,359 S * 5/2016 Rentschler D23/355

D851,228 S * 6/2019 Morton D23/364
D883,455 S * 5/2020 Lu D23/335
D883,463 S * 5/2020 Davis, II D23/366
D886,969 S * 6/2020 Tsai D23/332
D924,382 S * 7/2021 He D23/333
D927,663 S 8/2021 Chen et al.
D930,132 S 9/2021 Jin
D931,432 S 9/2021 Baillie et al.

* cited by examiner

Primary Examiner — David G Muller
(74) *Attorney, Agent, or Firm* — Jeenam Park

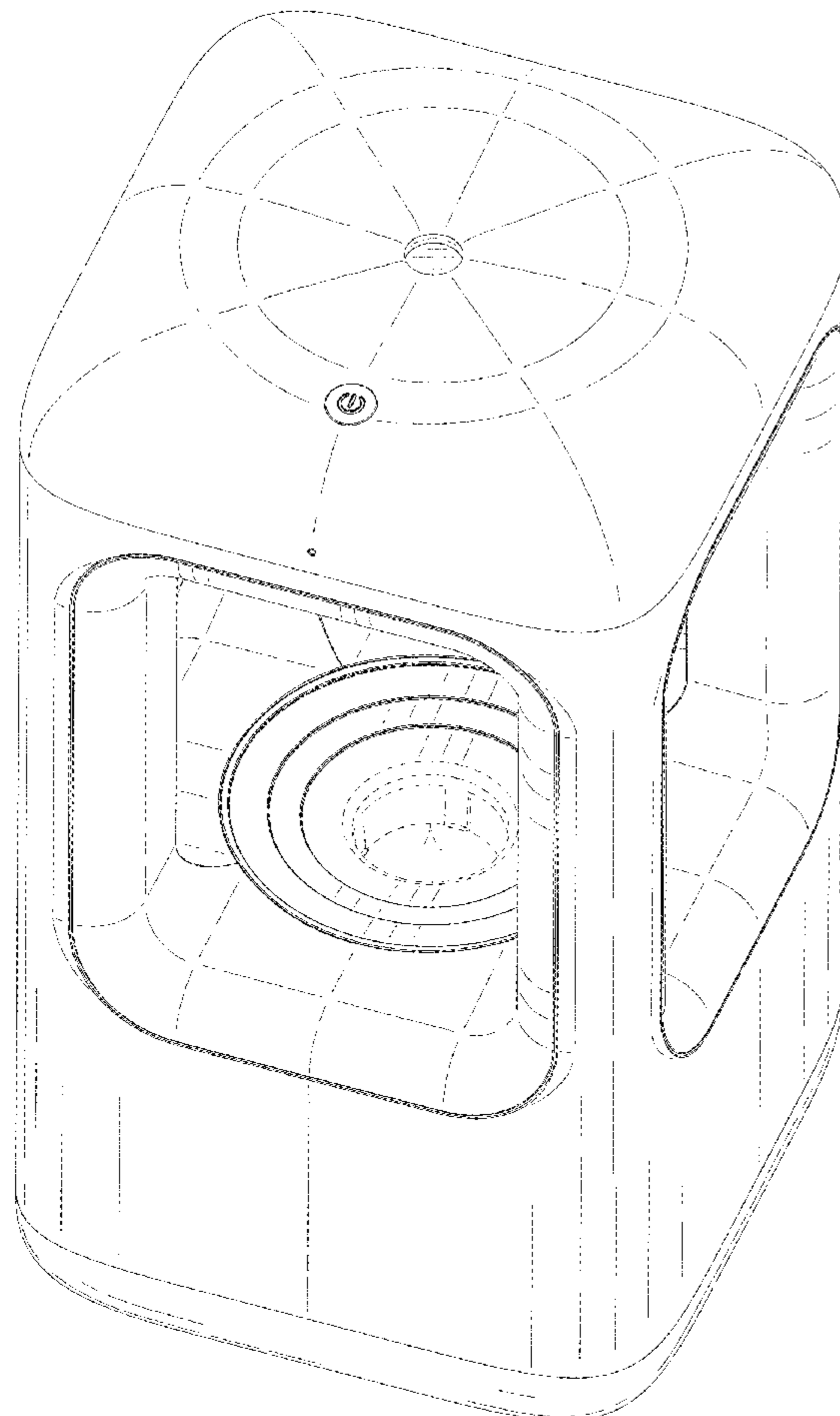
(57) **CLAIM**

The ornamental design for a humidifier, as shown and described.

DESCRIPTION

FIG. 1 is a perspective view of a humidifier showing my new design;
FIG. 2 is another perspective view thereof;
FIG. 3 is a front view thereof;
FIG. 4 is a rear view thereof;
FIG. 5 is a left side view thereof;
FIG. 6 is a right side view thereof;
FIG. 7 is a top plan view thereof; and,
FIG. 8 is a bottom plan view thereof.
The broken lines in the figures show portions of the humidifier that form no part of the claimed design.

1 Claim, 8 Drawing Sheets



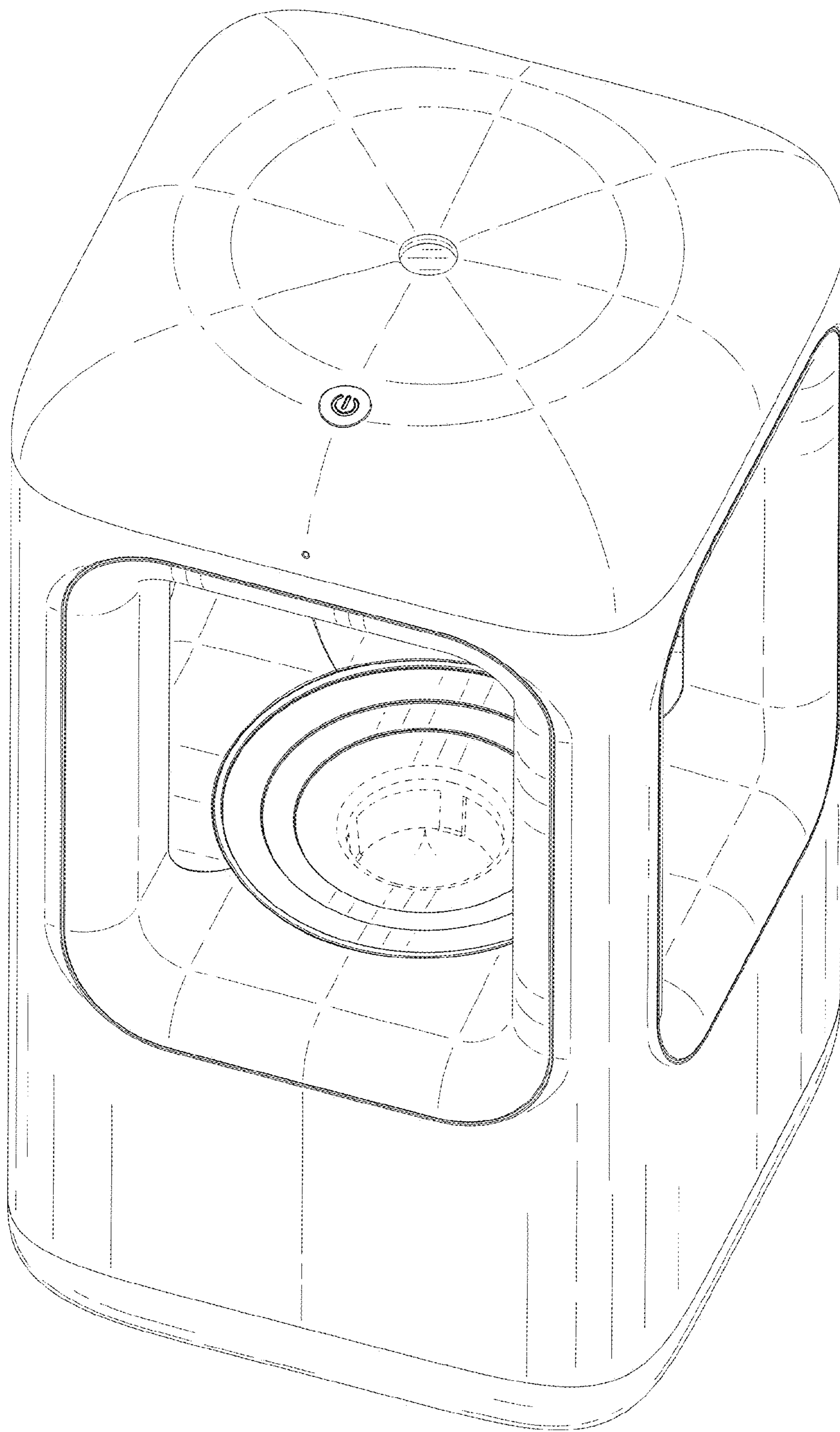


FIG. 1

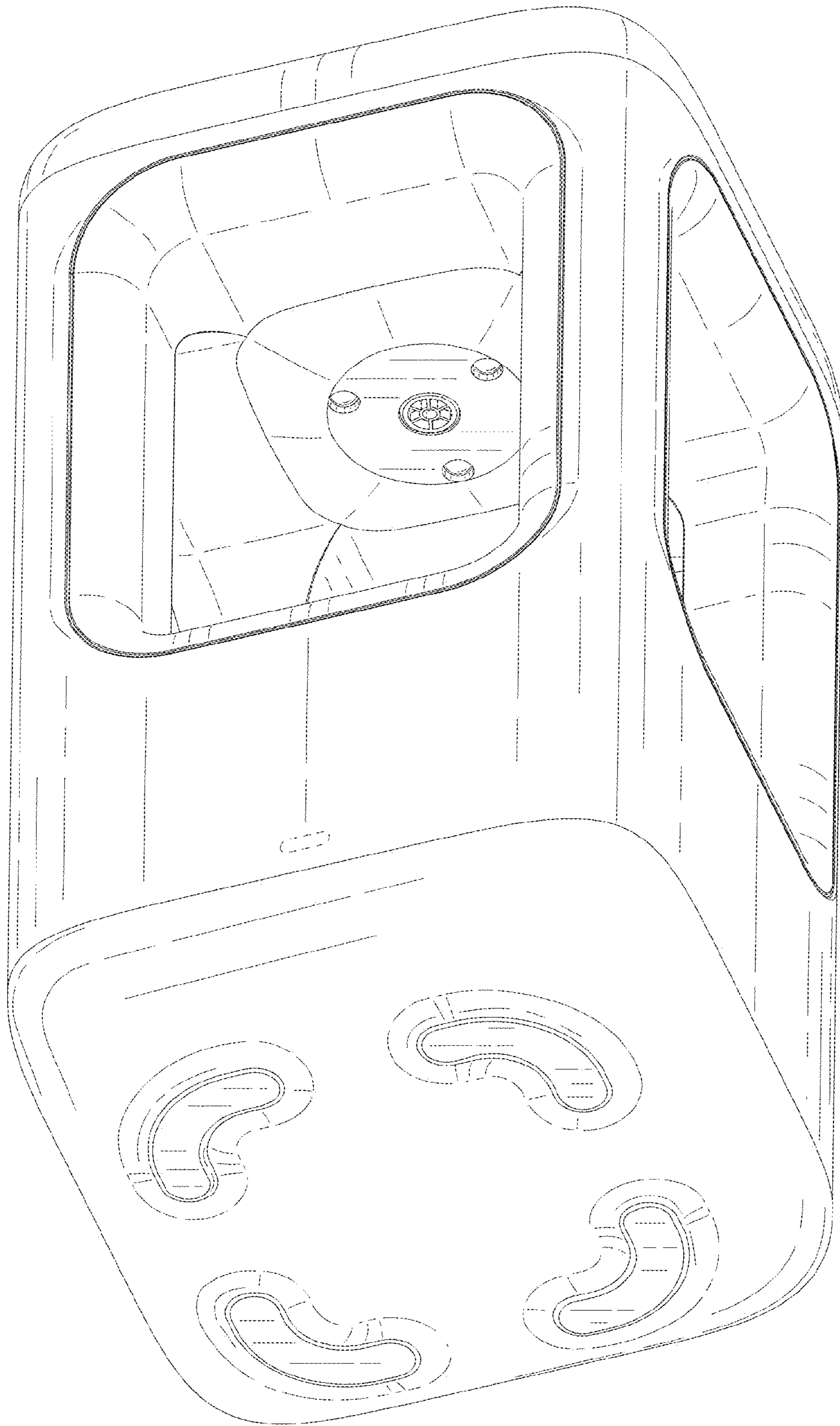


FIG. 2

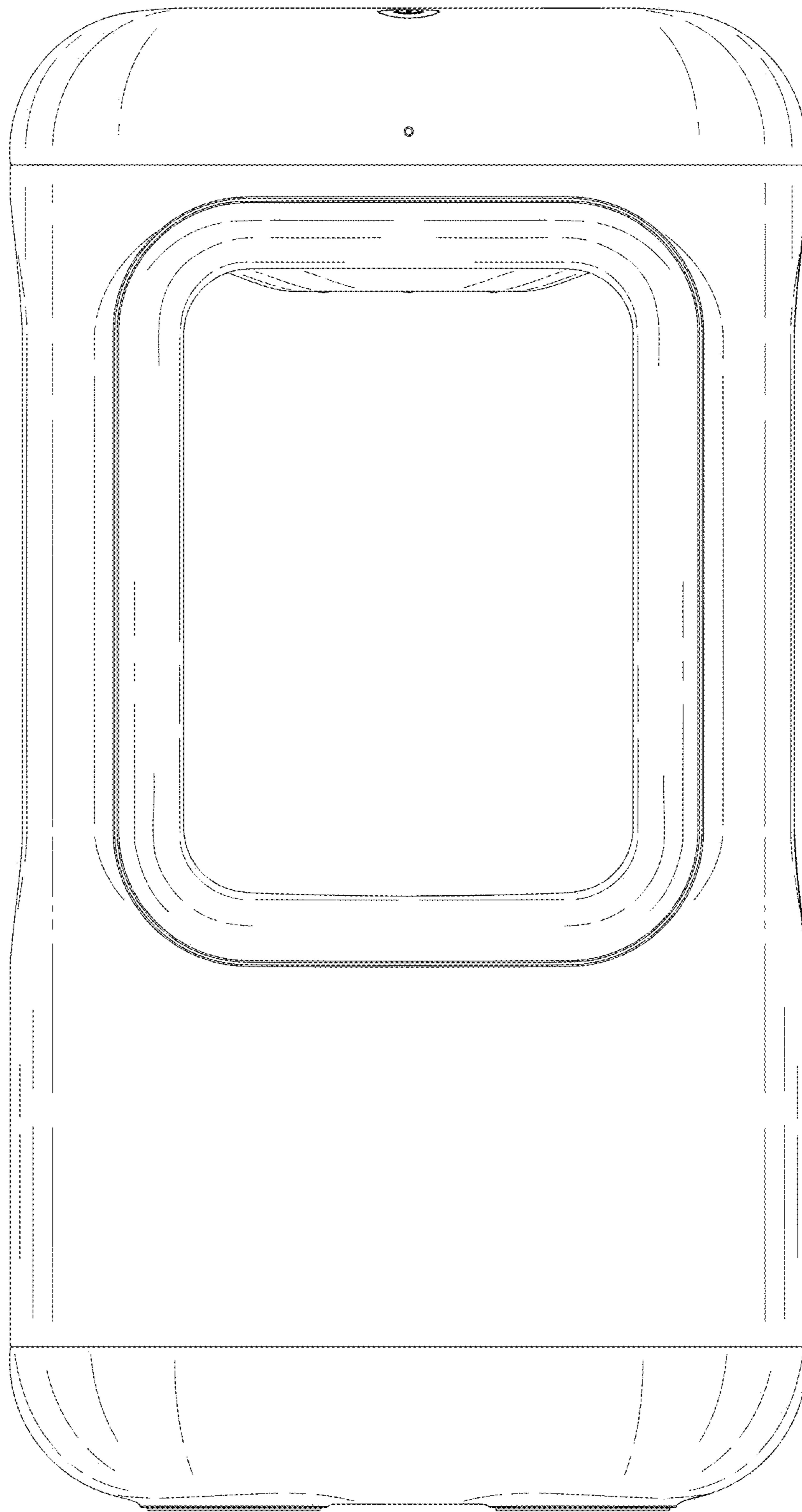


FIG. 3

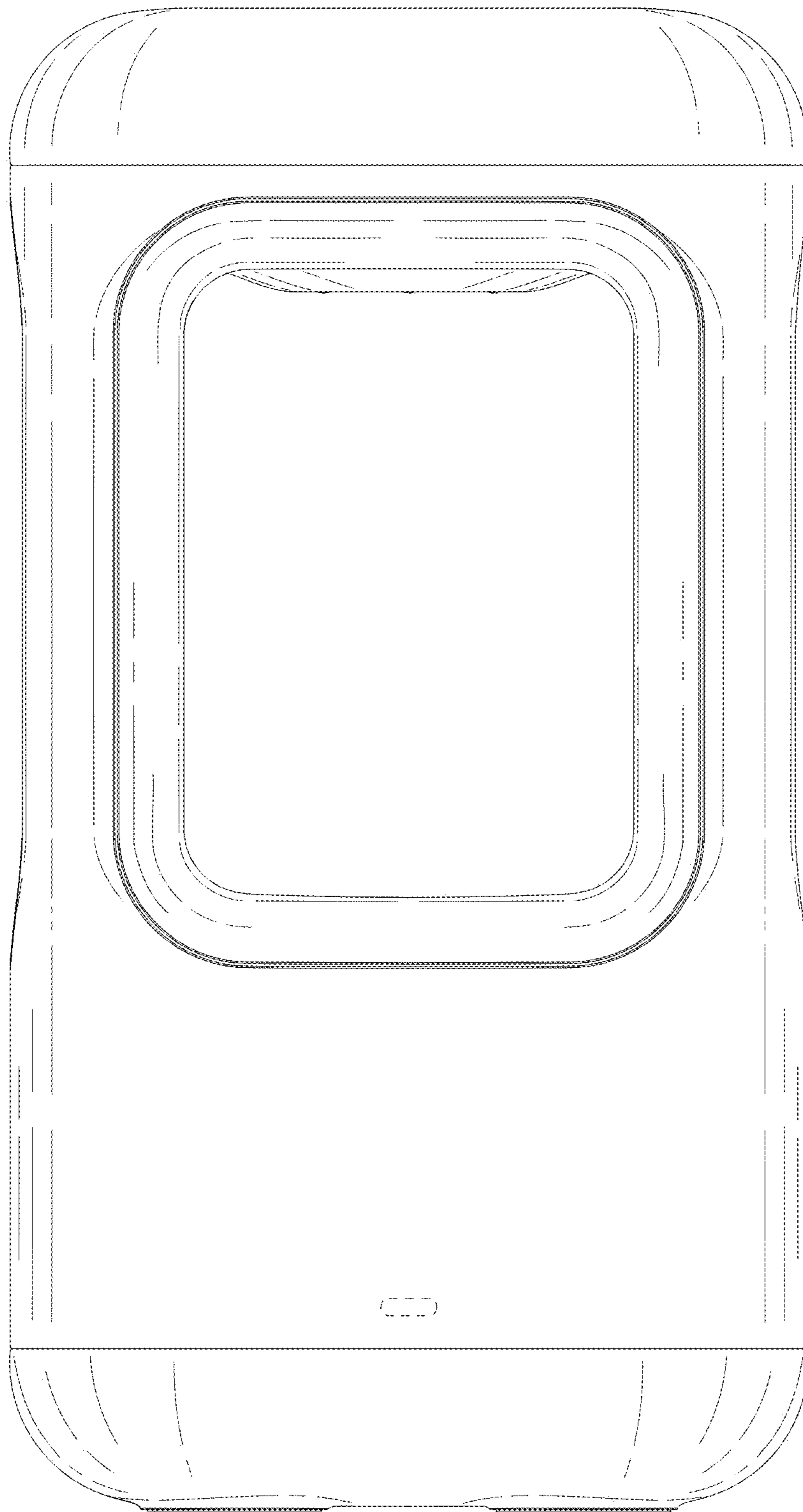


FIG. 4

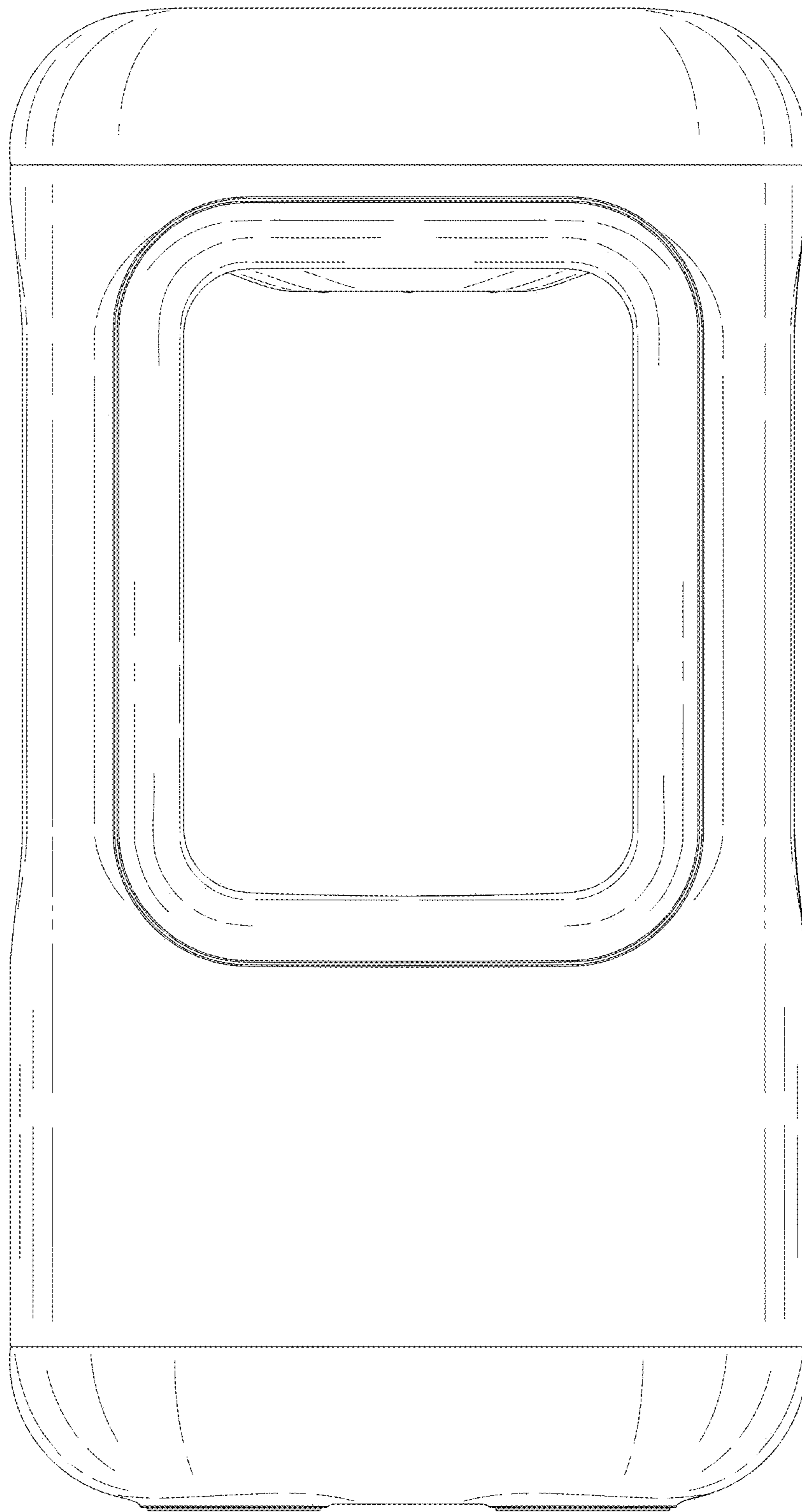


FIG. 5

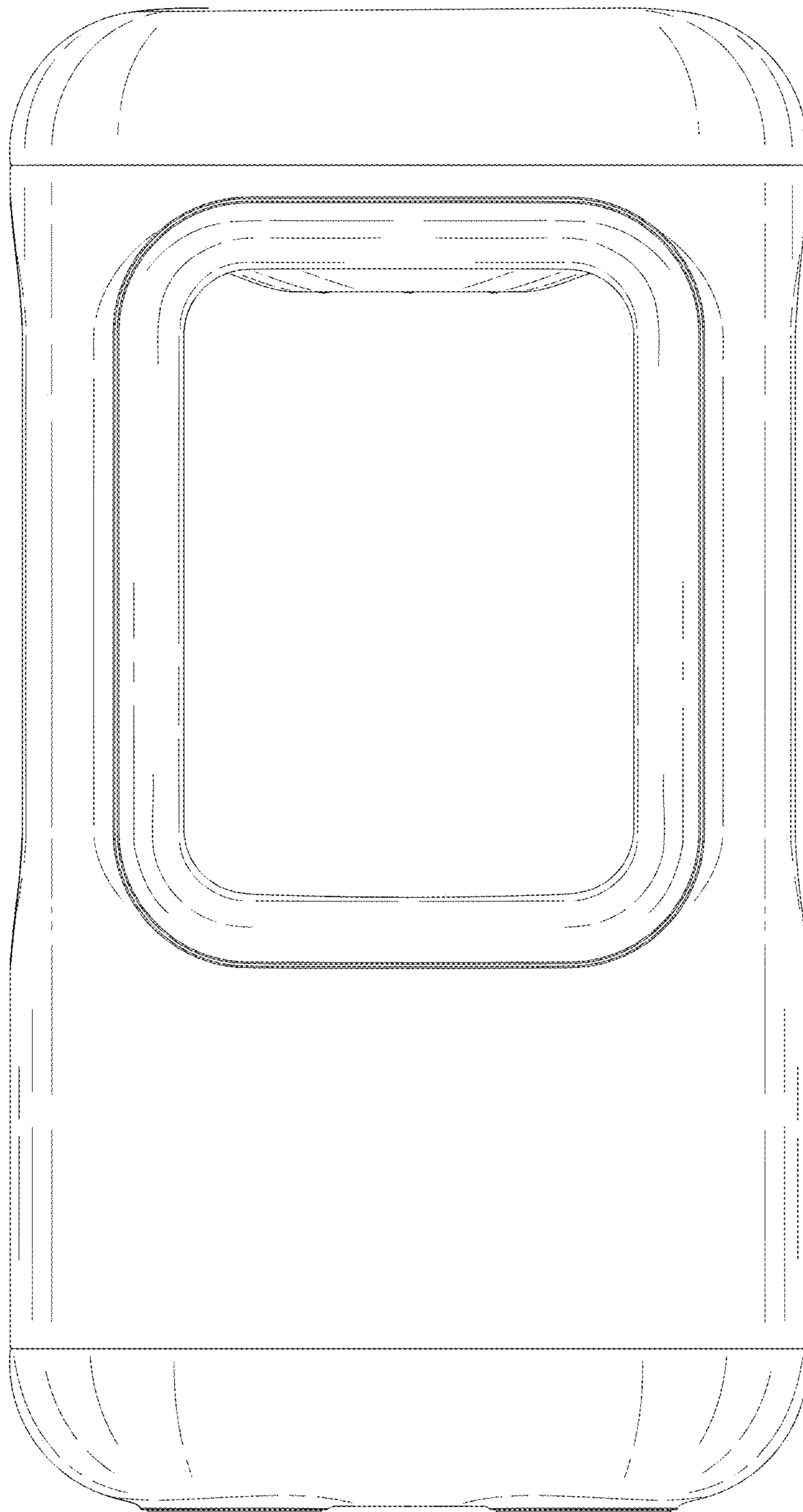


FIG. 6

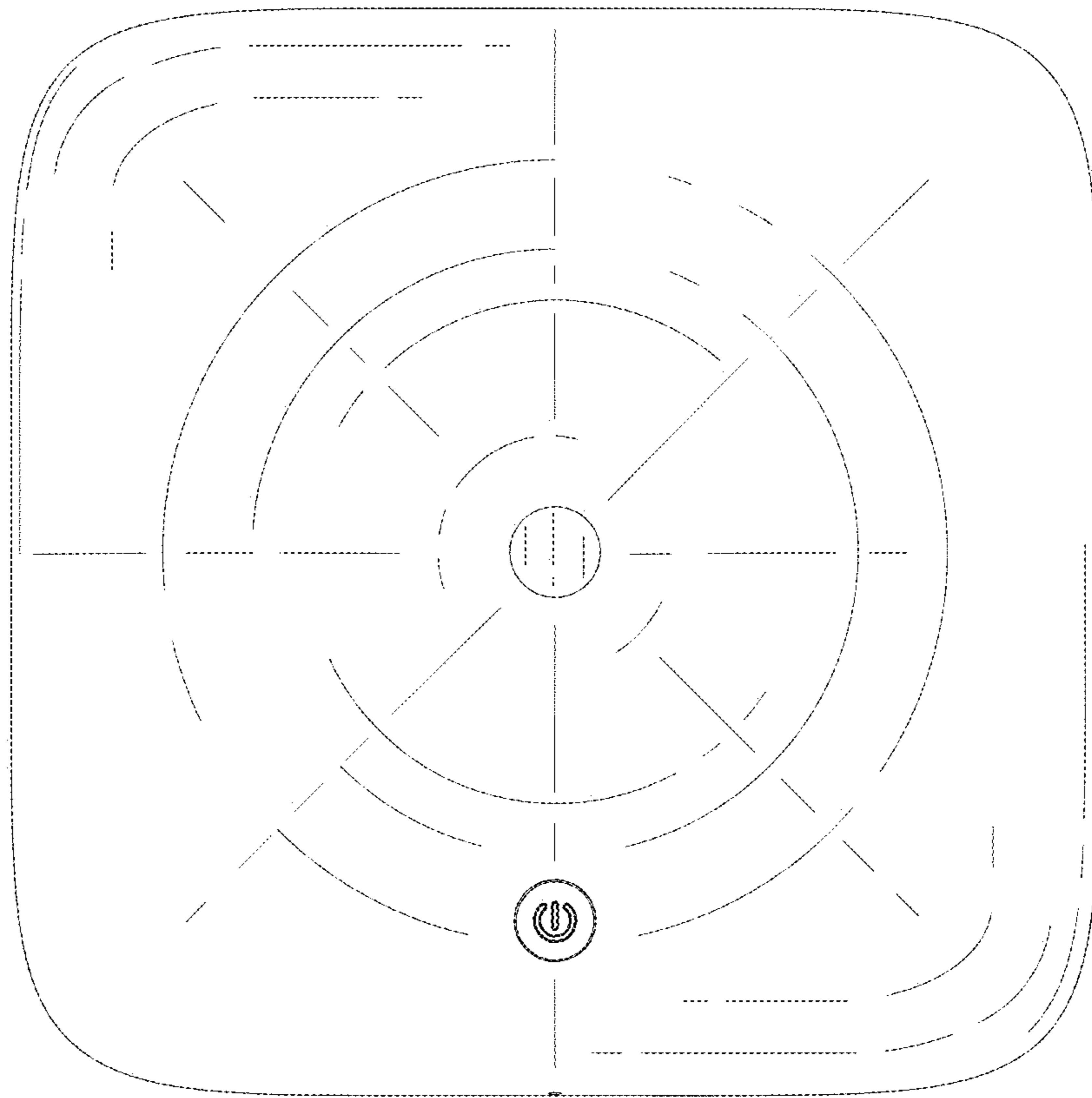


FIG. 7

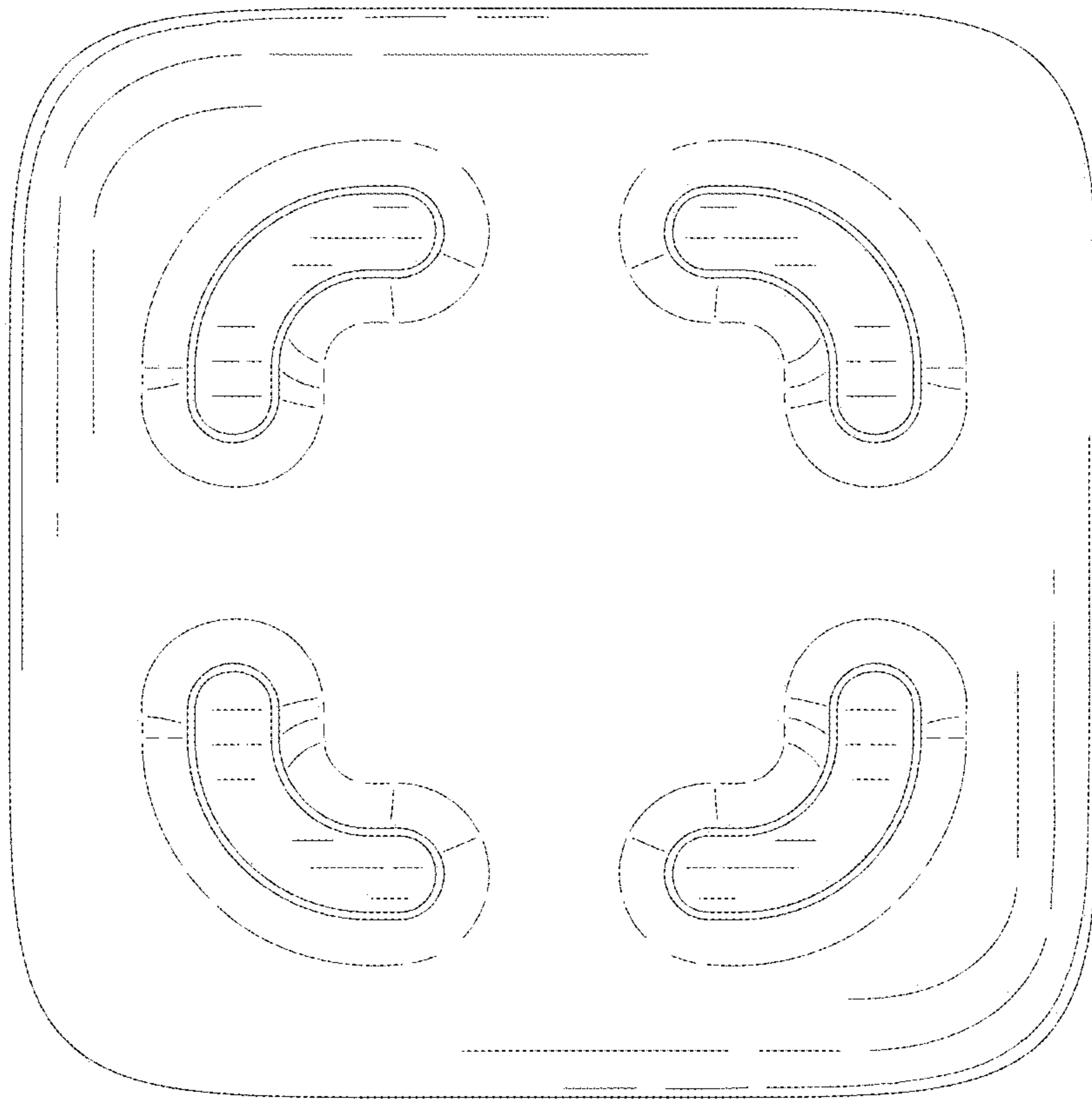


FIG. 8