



US00D972693S

(12) **United States Design Patent**  
**Loibl et al.**

(10) **Patent No.:** **US D972,693 S**

(45) **Date of Patent:** **\*\* Dec. 13, 2022**

(54) **HEATER**

(71) Applicant: **VORNADO AIR, LLC**, Andover, KS (US)

(72) Inventors: **Byron Loibl**, Wichita, KS (US);  
**Anthony Fischer**, Wichita, KS (US);  
**Brian M. Cartwright**, Wichita, KS (US);  
**Gregory Pease**, Andover, KS (US);  
**Joshua Ayala**, Maize, KS (US)

(73) Assignee: **Vornado Air, LLC**, Andover, KS (US)

(\*\*) Term: **15 Years**

(21) Appl. No.: **29/774,905**

(22) Filed: **Mar. 19, 2021**

(51) **LOC (13) Cl.** ..... **23-03**

(52) **U.S. Cl.**  
USPC ..... **D23/335**

(58) **Field of Classification Search**  
USPC ..... D23/314, 317, 332, 335, 339, 342, 356,  
D23/378, 381, 382, 417

CPC ..... F24F 1/0007; F24D 19/1084; F24D  
19/1096; H05B 3/008; H05B 1/0252;  
H05B 1/0275

See application file for complete search history.

(56) **References Cited**

**U.S. PATENT DOCUMENTS**

D276,263 S *	11/1984	Armbruster	.....	D23/370
D282,484 S *	2/1986	Armbruster	.....	D23/365
D546,430 S *	7/2007	Ching	.....	D23/342
D577,802 S *	9/2008	Barker	.....	D23/364
D588,251 S *	3/2009	Spiegel	.....	D23/364
D588,686 S *	3/2009	Spiegel	.....	D23/364
D594,947 S *	6/2009	Lewis	.....	D23/314
D603,949 S *	11/2009	Campbell	.....	D23/364
D604,817 S *	11/2009	Lee	.....	D23/332
D650,472 S *	12/2011	Petersen	.....	D23/364

D683,005 S *	5/2013	Park	.....	D23/351
D799,653 S *	10/2017	Jun	.....	D23/351
D845,463 S *	4/2019	Ediger	.....	D23/378

**OTHER PUBLICATIONS**

“Sharper Image Rise 12H Tower Space Heater”, <https://www.hsn.com/products/sharper-image-rise-12h-tower-space-heater-black/20362985>, retrieved from the internet on Jun. 8, 2022. (Year: 2022).\*

Sharper Image Rise 12H Tower Space Heater review, Sharper Image Mini Heat Tower; YouTube video Frame 0:22/1:04; Published Dec. 28, 2021; Visited Online Jun. 13, 2022; <https://www.youtube.com/watch?v=QSdb6leyM6E> (Year: 2021).\*

(Continued)

*Primary Examiner* — Amy C Wierenga

*Assistant Examiner* — Andrea Marie McKay

(74) *Attorney, Agent, or Firm* — Avyno Law P.C.

(57) **CLAIM**

We claim the ornamental design for a heater, as shown and described.

**DESCRIPTION**

FIG. 1 is a front perspective view of a heater of the present invention.

FIG. 2 is a rear perspective view of a heater of the present invention.

FIG. 3 is a front elevation view of the heater of FIG. 1.

FIG. 4 is a rear elevation view of the heater of FIG. 1.

FIG. 5 is a side elevation view of the left side of the heater of FIG. 1.

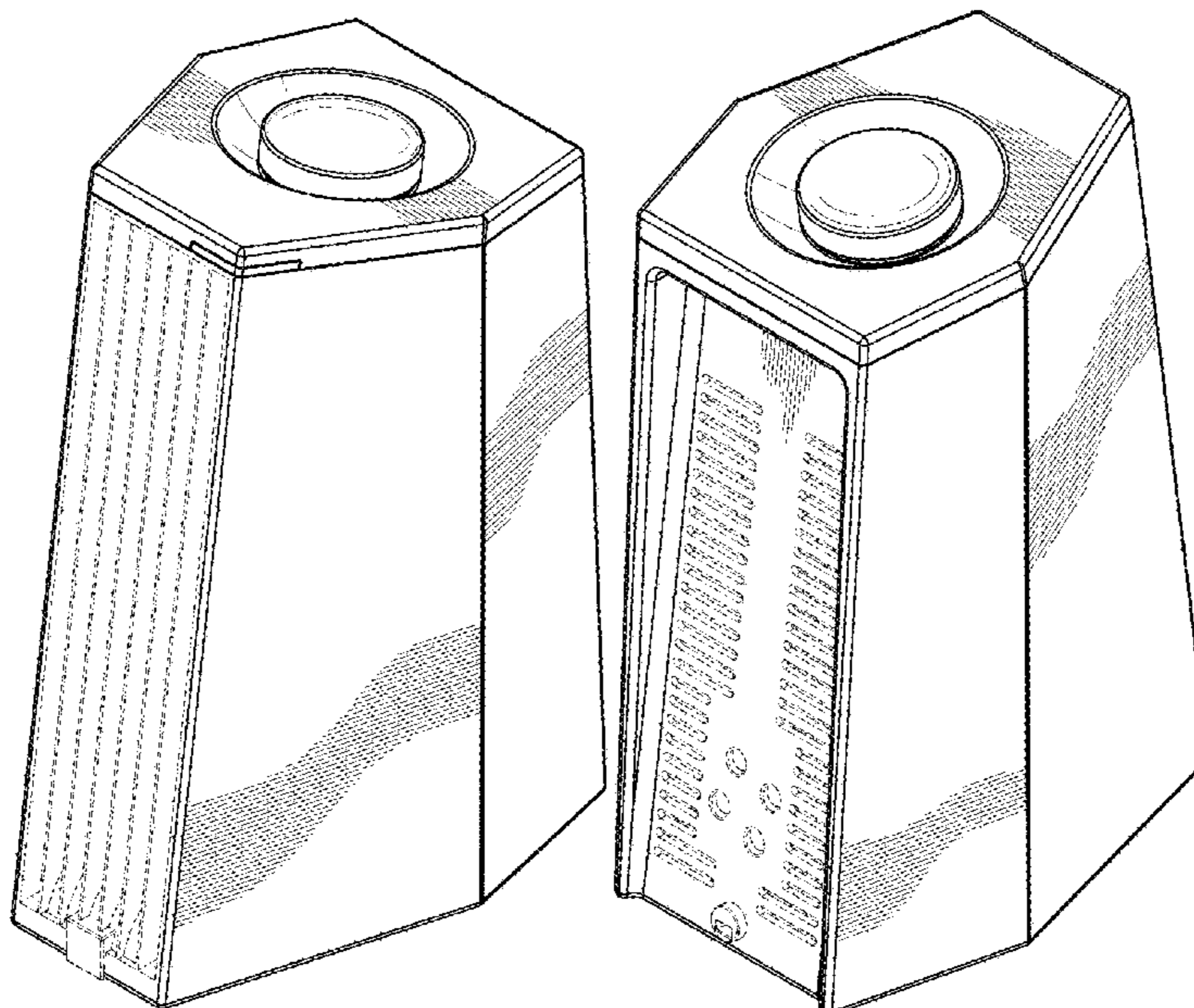
FIG. 6 is a side elevation view of the right side of the heater of FIG. 1.

FIG. 7 is a top plan view of the heater of FIG. 1; and,

FIG. 8 is a bottom plan view of the heater of FIG. 1.

In the drawings, the broken lines depict portions of the heater that form no part of the claimed design.

**1 Claim, 7 Drawing Sheets**



(56)

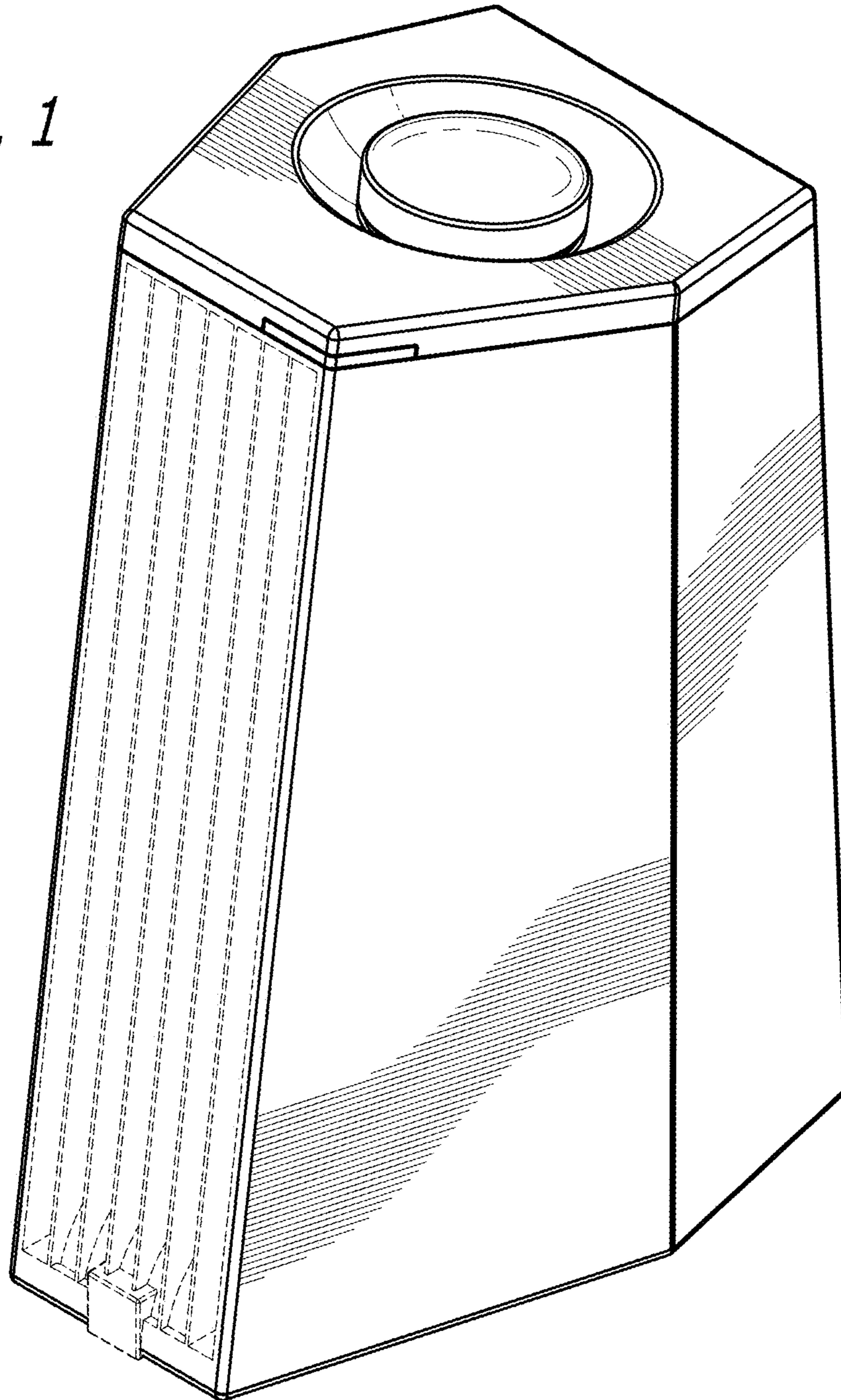
**References Cited**

OTHER PUBLICATIONS

Sharper Image Rise 20H Tower Space Heater, Black, available on amazon.com, review date Nov. 17, 2021 [online] [site visited Aug. 31, 2021] Available from the internet URL: [https://www.amazon.com/Sharper-Image-Tower-Space-Heater/dp/B0916MB5TK/ref=asc\\_df\\_B0916MB5TK/?tag=hyprod-20&linkCode=df0&hvadid=563688282650&hvpos=&hvnetw=g&hvrnd=9044430594469067761&hvpone=&hvptwo=&hvqmt=&hvdev=c&hvdvcm dl=&hvlocint=&hvlocphy=9059726&hvtargid=pla-1596840069584&th=1](https://www.amazon.com/Sharper-Image-Tower-Space-Heater/dp/B0916MB5TK/ref=asc_df_B0916MB5TK/?tag=hyprod-20&linkCode=df0&hvadid=563688282650&hvpos=&hvnetw=g&hvrnd=9044430594469067761&hvpone=&hvptwo=&hvqmt=&hvdev=c&hvdvcm dl=&hvlocint=&hvlocphy=9059726&hvtargid=pla-1596840069584&th=1) (Year: 2021).\*

\* cited by examiner

*FIG. 1*





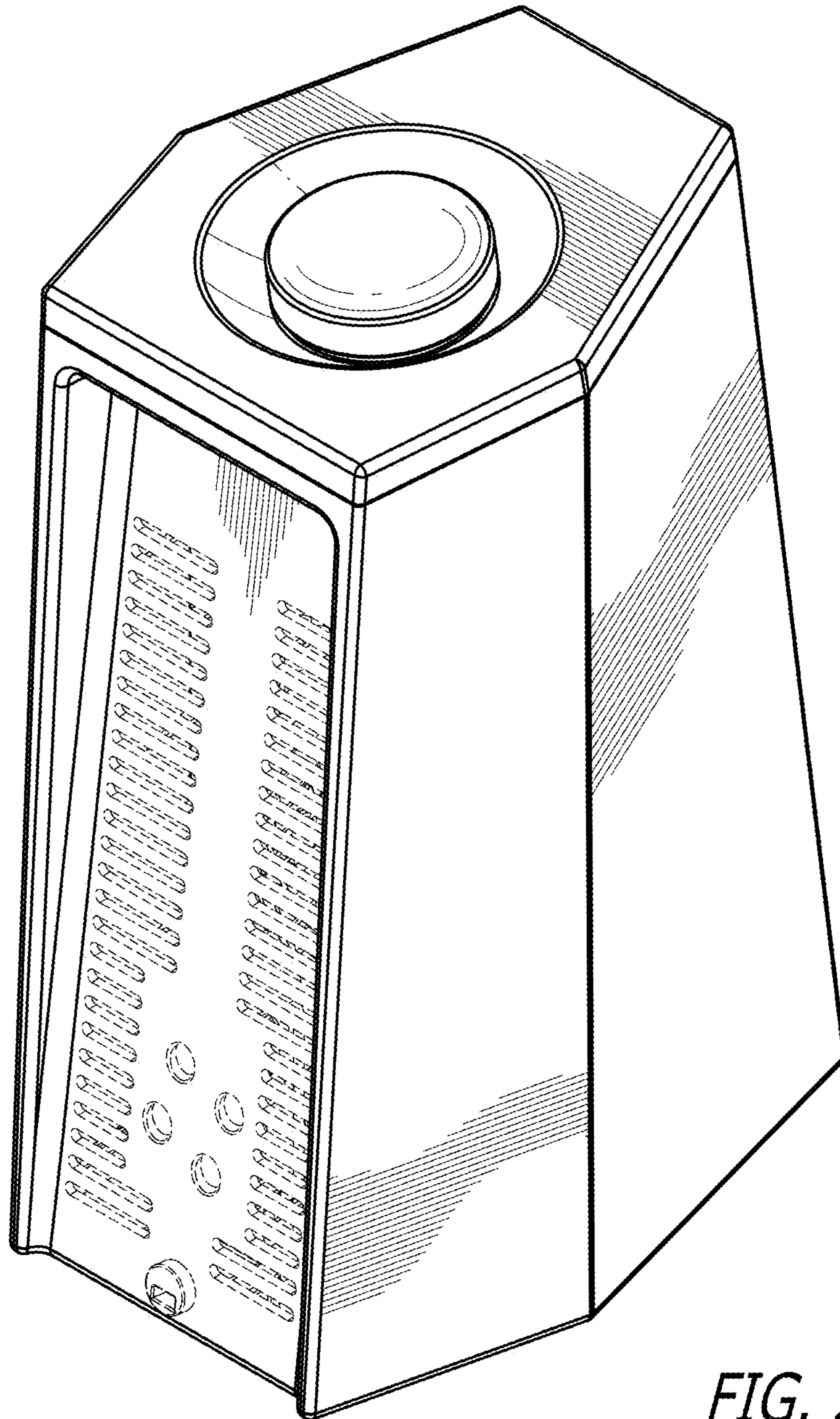
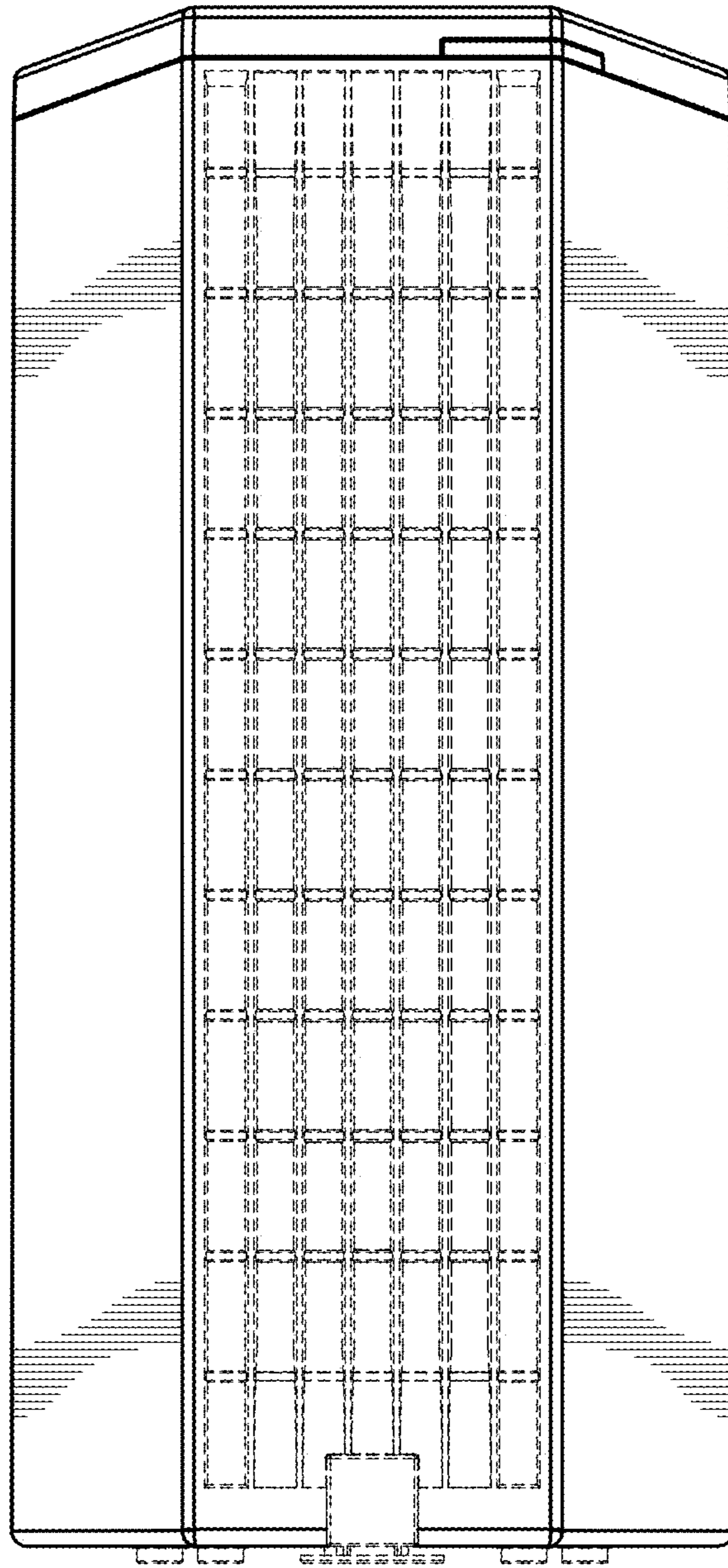


FIG. 2



*FIG. 3*

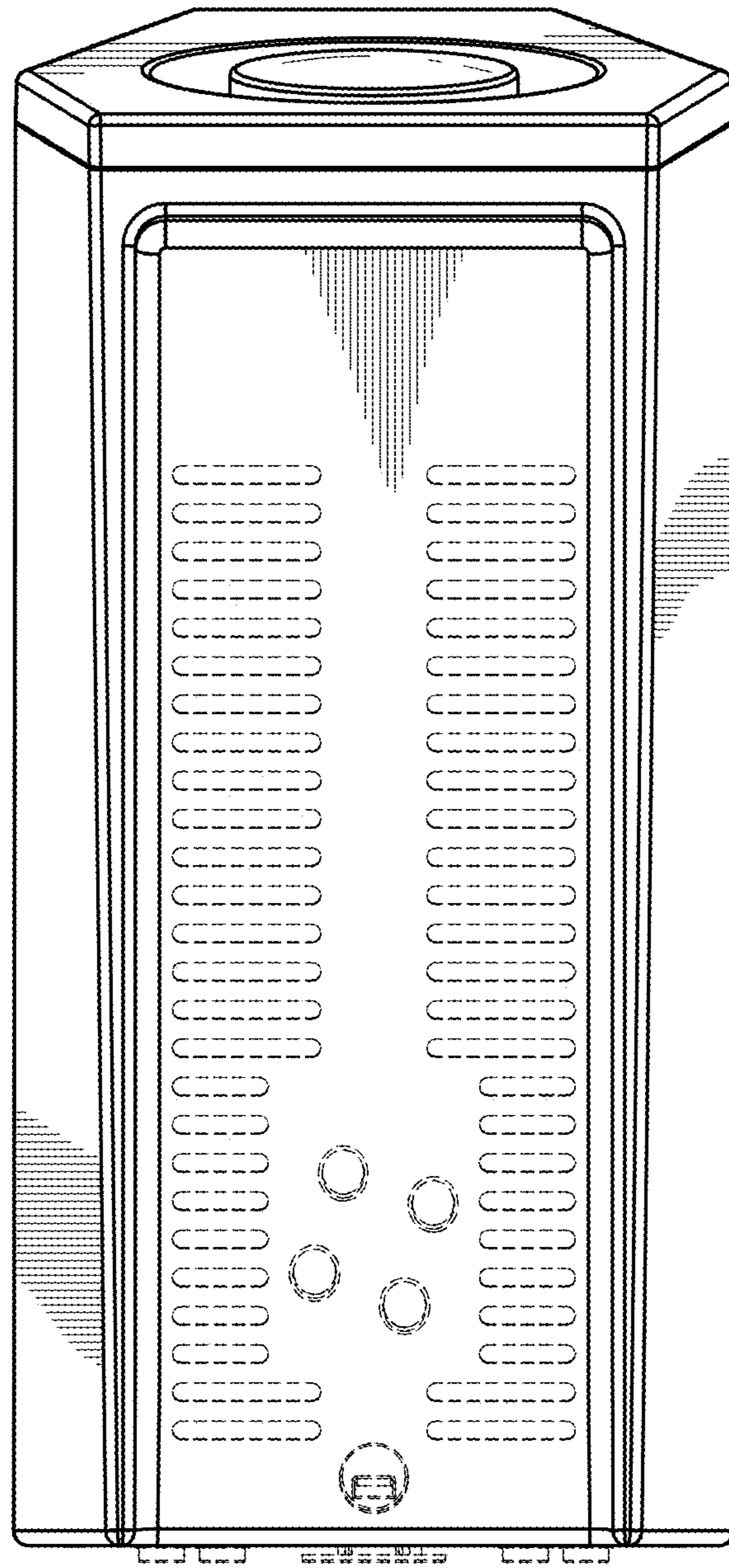
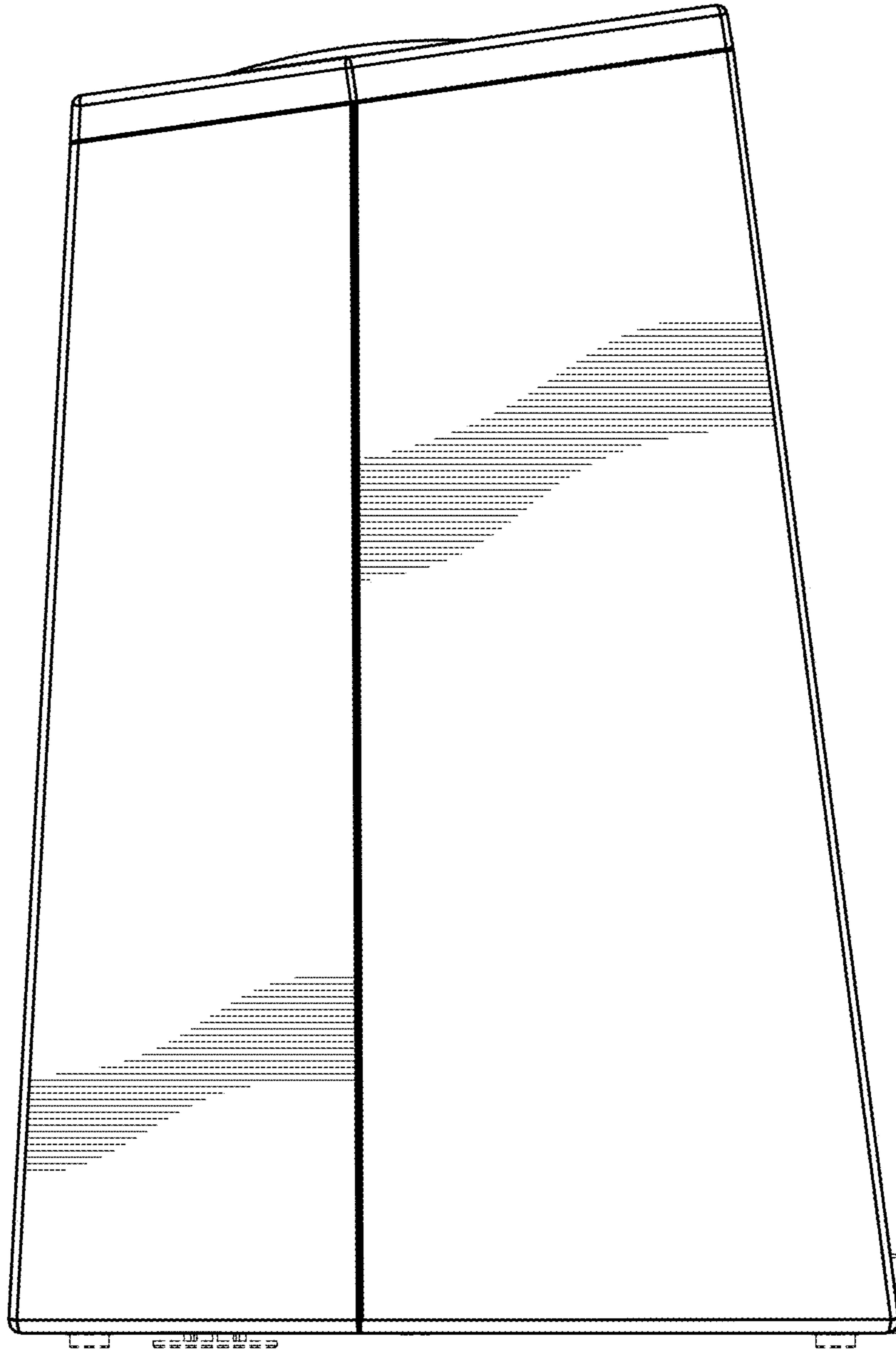


FIG. 4



*FIG. 5*

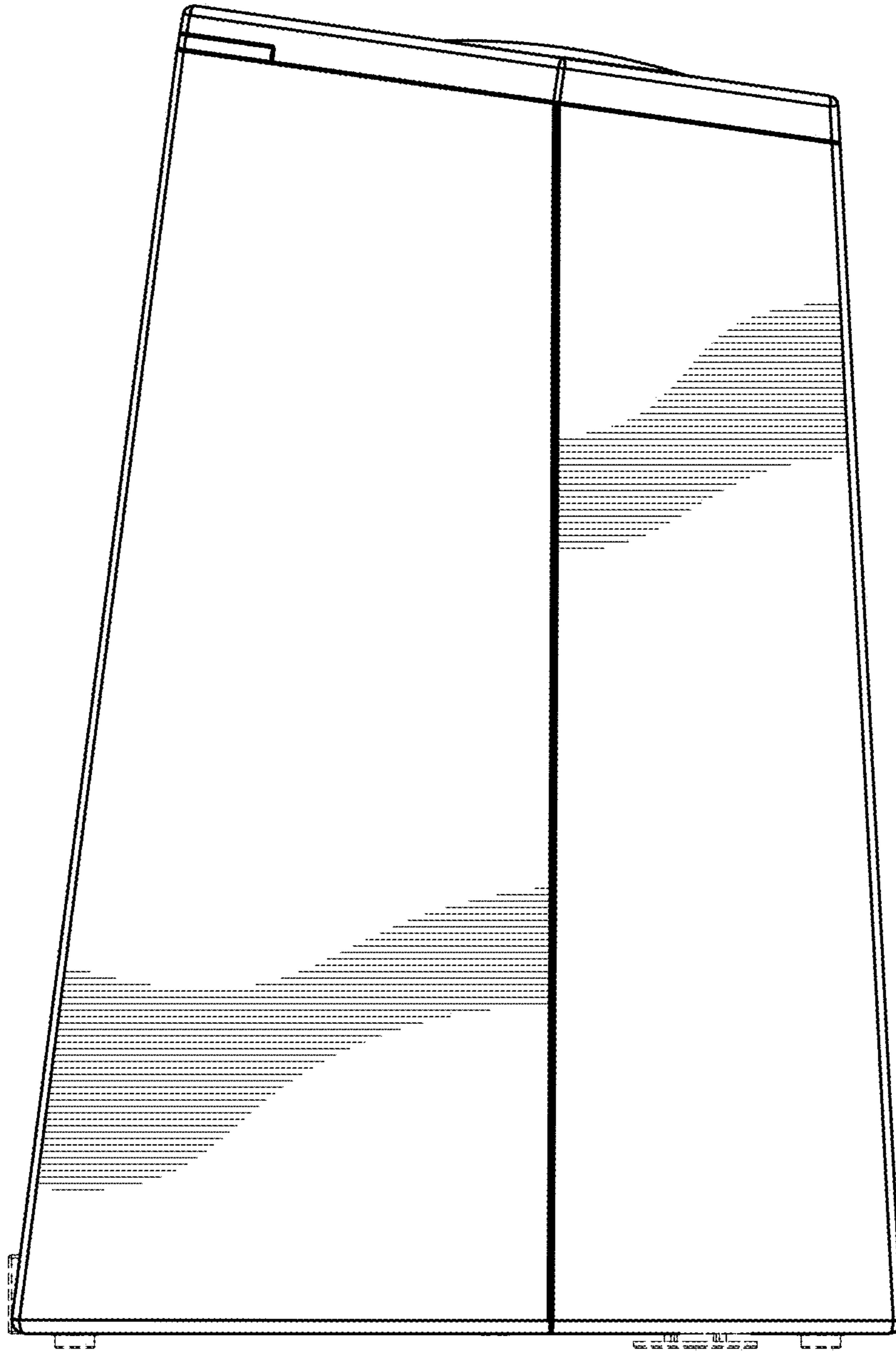


FIG. 6



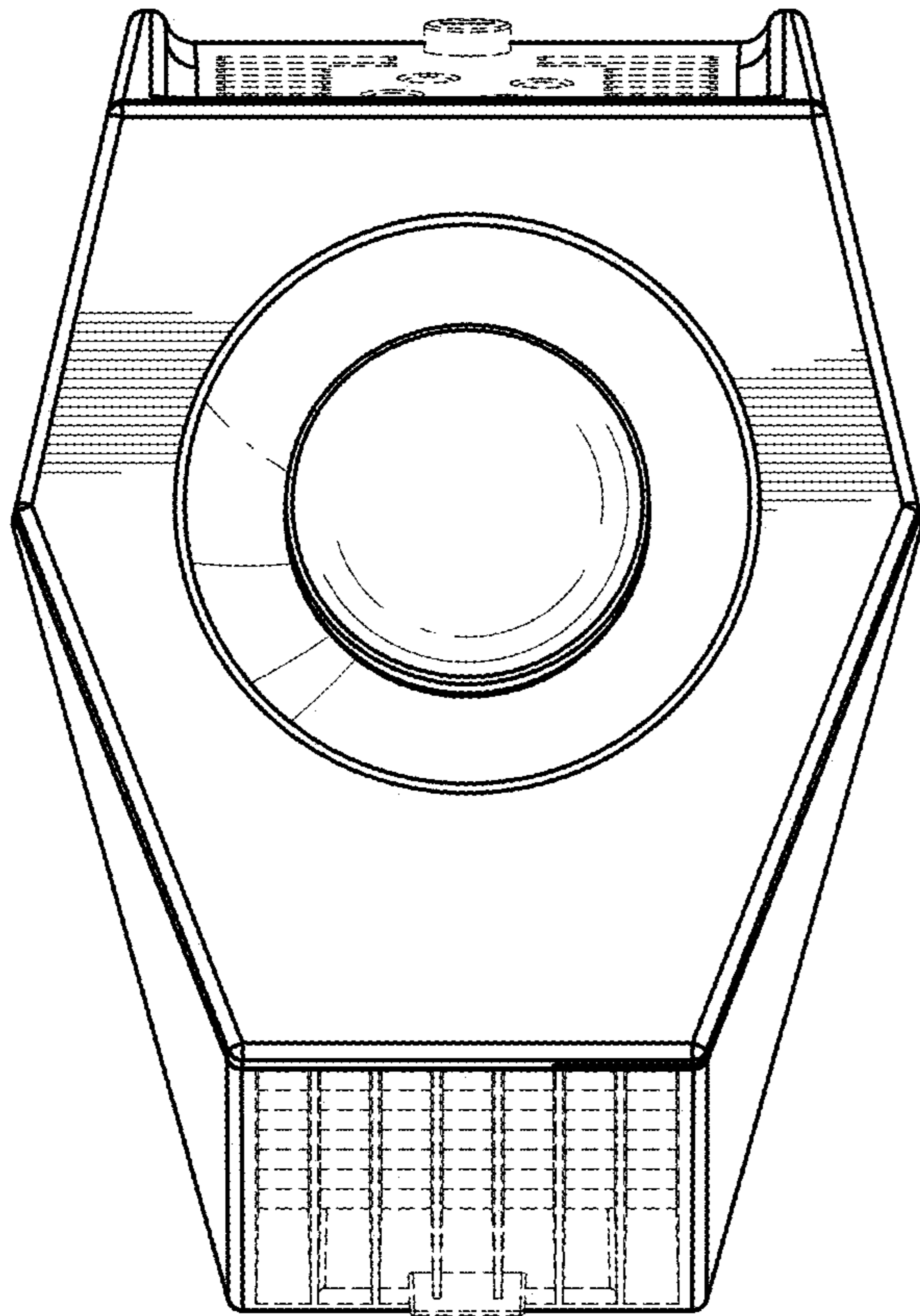


FIG. 7

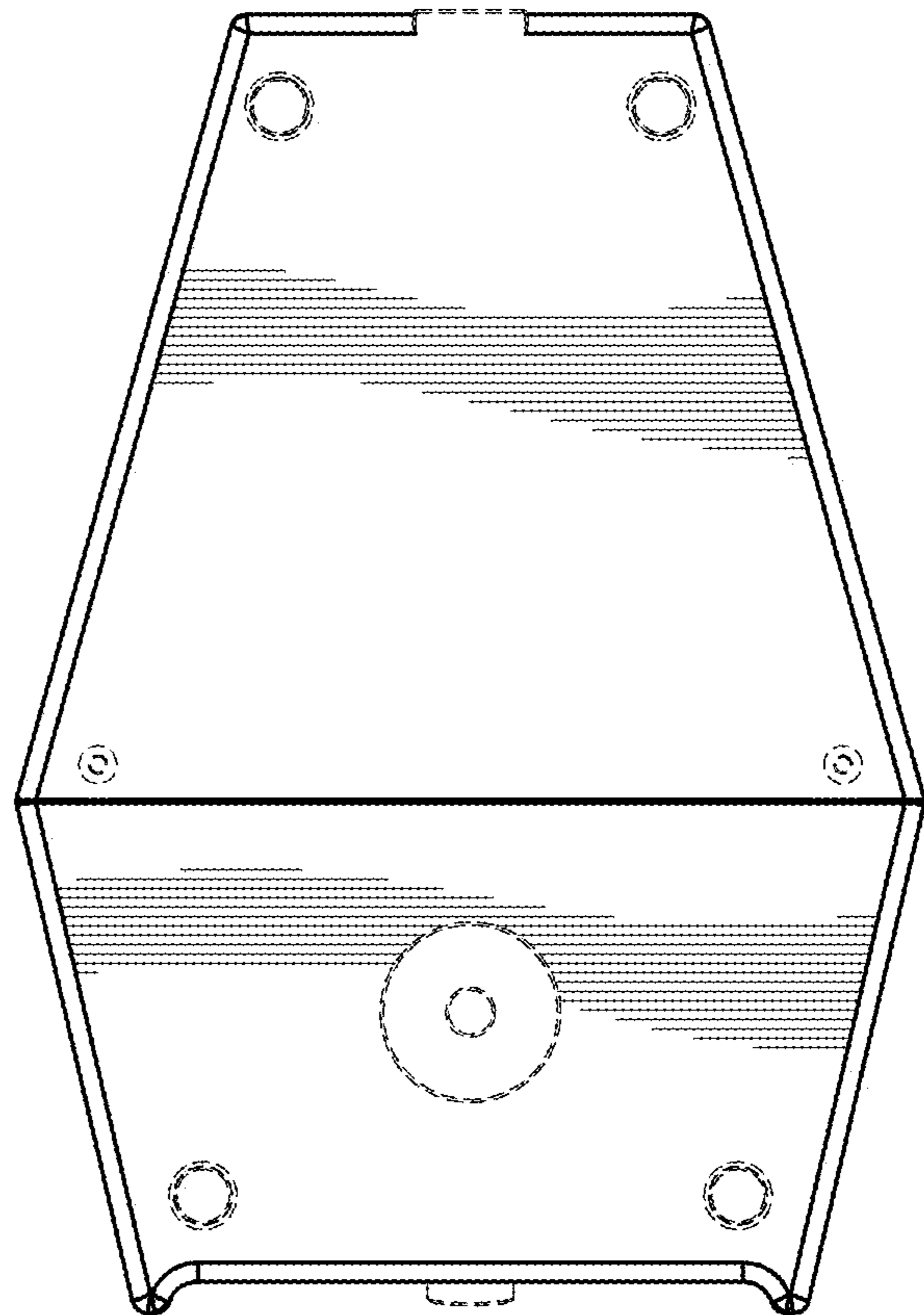


FIG. 8