



US00D972692S

(12) **United States Design Patent**  
**Zhou et al.**

(10) **Patent No.:** **US D972,692 S**

(45) **Date of Patent:** **\*\* Dec. 13, 2022**

(54) **KITCHEN SINK**

(71) Applicants: **Runhua Zhou**, Kowloon (CN);  
**Wenlong Wei**, Nanchang (CN); **Xialian Peng**, Foshan (CN)

(72) Inventors: **Runhua Zhou**, Kowloon (CN);  
**Wenlong Wei**, Nanchang (CN); **Xialian Peng**, Foshan (CN)

(\*\*) Term: **15 Years**

(21) Appl. No.: **29/849,287**

(22) Filed: **Aug. 10, 2022**

(51) **LOC (13) Cl.** ..... **23-02**

(52) **U.S. Cl.**  
USPC ..... **D23/284**

(58) **Field of Classification Search**  
USPC ..... D23/271, 273, 286, 284, 293.1  
See application file for complete search history.

(56) **References Cited**

**U.S. PATENT DOCUMENTS**

D810,285 S 2/2018 Adams  
D865,138 S 10/2019 Lyons  
D867,555 S 11/2019 Huang

D869,618 S 12/2019 Walther et al.  
D905,211 S \* 12/2020 Mei ..... D23/284  
D911,497 S \* 2/2021 Levi ..... D23/284  
D926,947 S 8/2021 Ling et al.  
D930,798 S \* 9/2021 Liang ..... D23/284  
D934,398 S \* 10/2021 Levi ..... D23/284  
D945,575 S \* 3/2022 Levi ..... D23/284  
D954,233 S 6/2022 Chong et al.

\* cited by examiner

*Primary Examiner* — Robert A Delehanty  
(74) *Attorney, Agent, or Firm* — Runit R. Kanakia

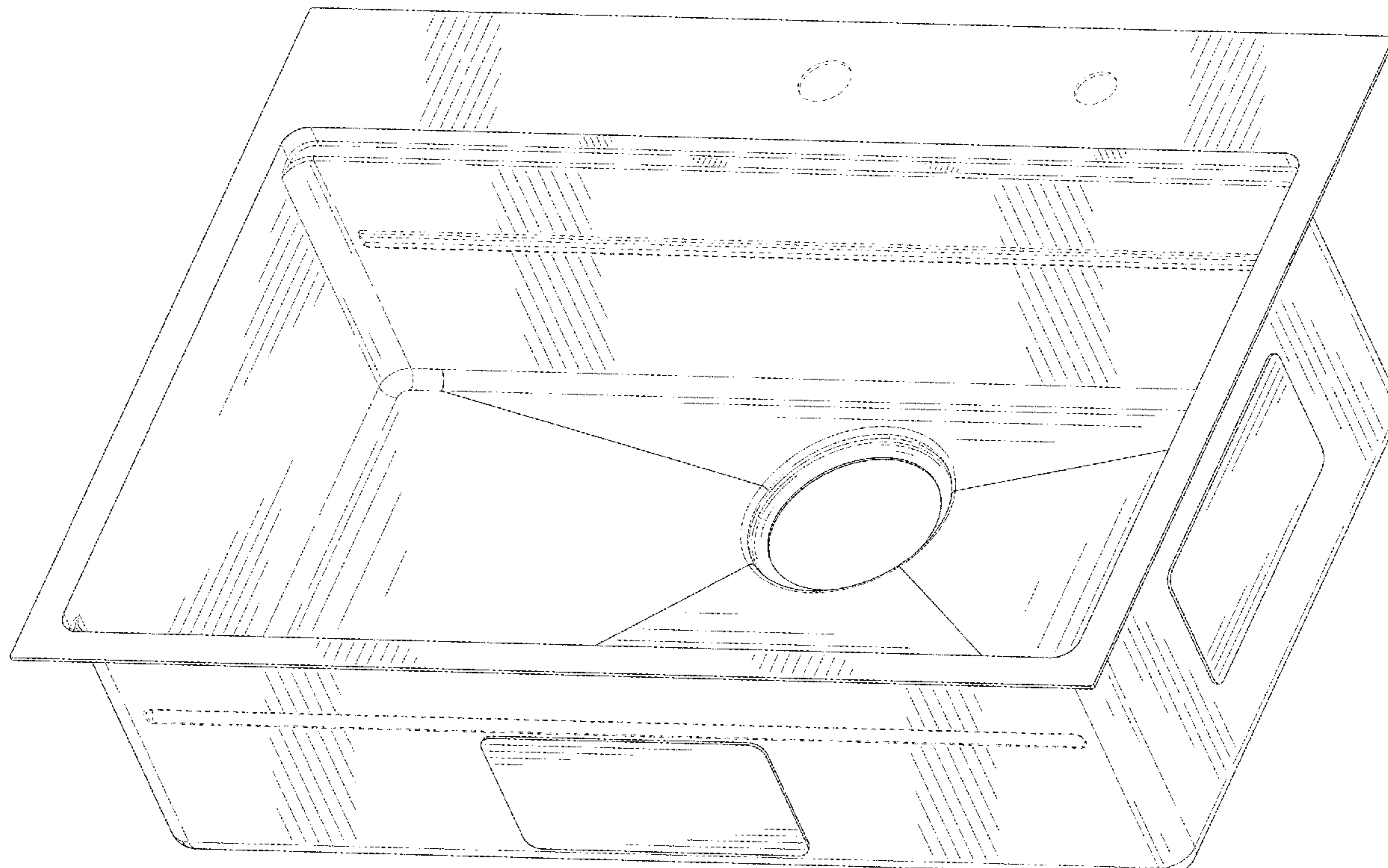
(57) **CLAIM**

The ornamental design for a kitchen sink, as shown and described.

**DESCRIPTION**

FIG. 1 is a front perspective view of a kitchen sink showing our new design;  
FIG. 2 is a bottom perspective view thereof;  
FIG. 3 is a top view thereof;  
FIG. 4 is a bottom view thereof;  
FIG. 5 is a left side view thereof;  
FIG. 6 is a right view thereof;  
FIG. 7 is a rear view thereof; and,  
FIG. 8 is a front view thereof.  
Broken lines in the drawings depict portions of the kitchen sink that form no part of the claimed design.

**1 Claim, 8 Drawing Sheets**



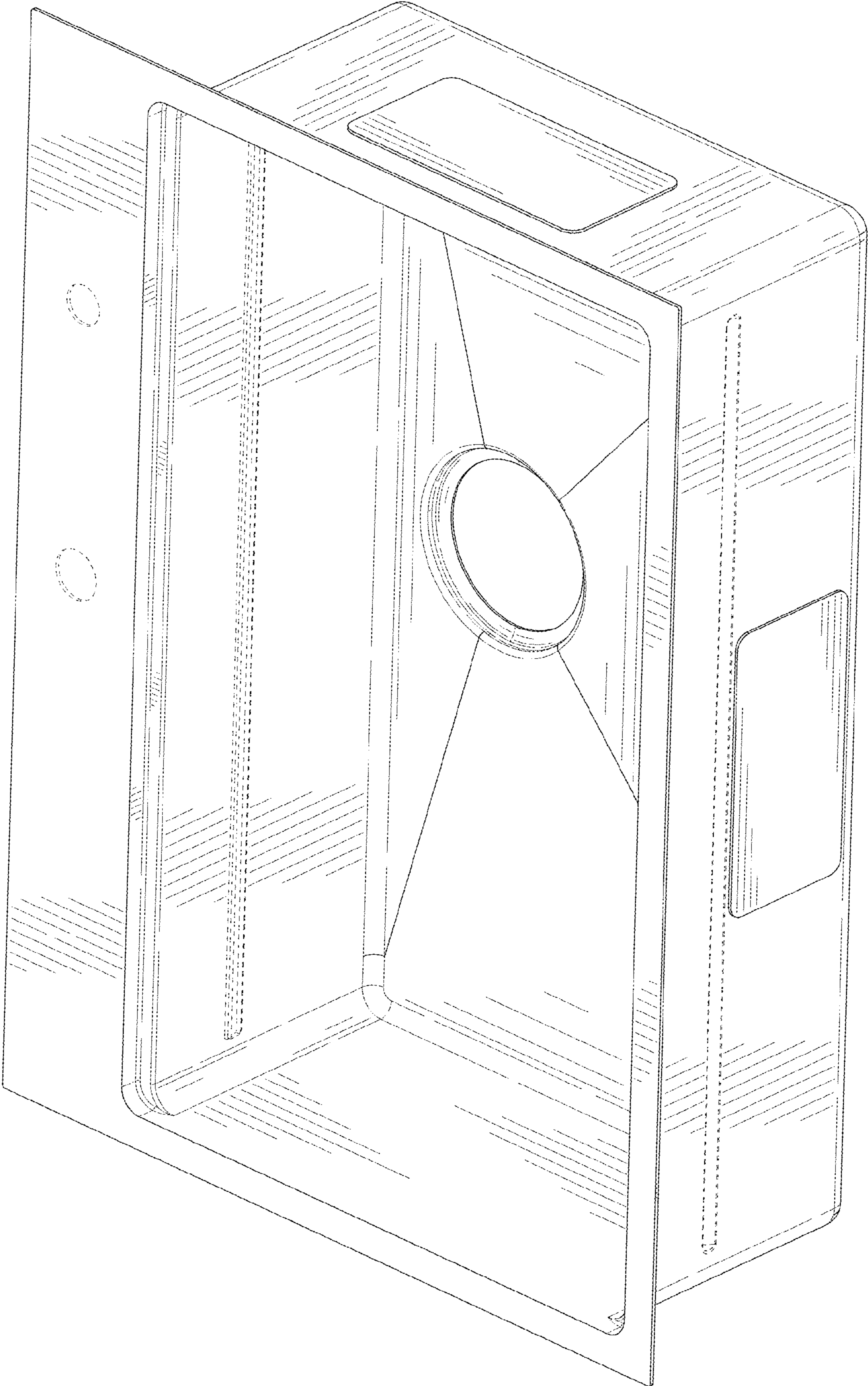


FIG. 1

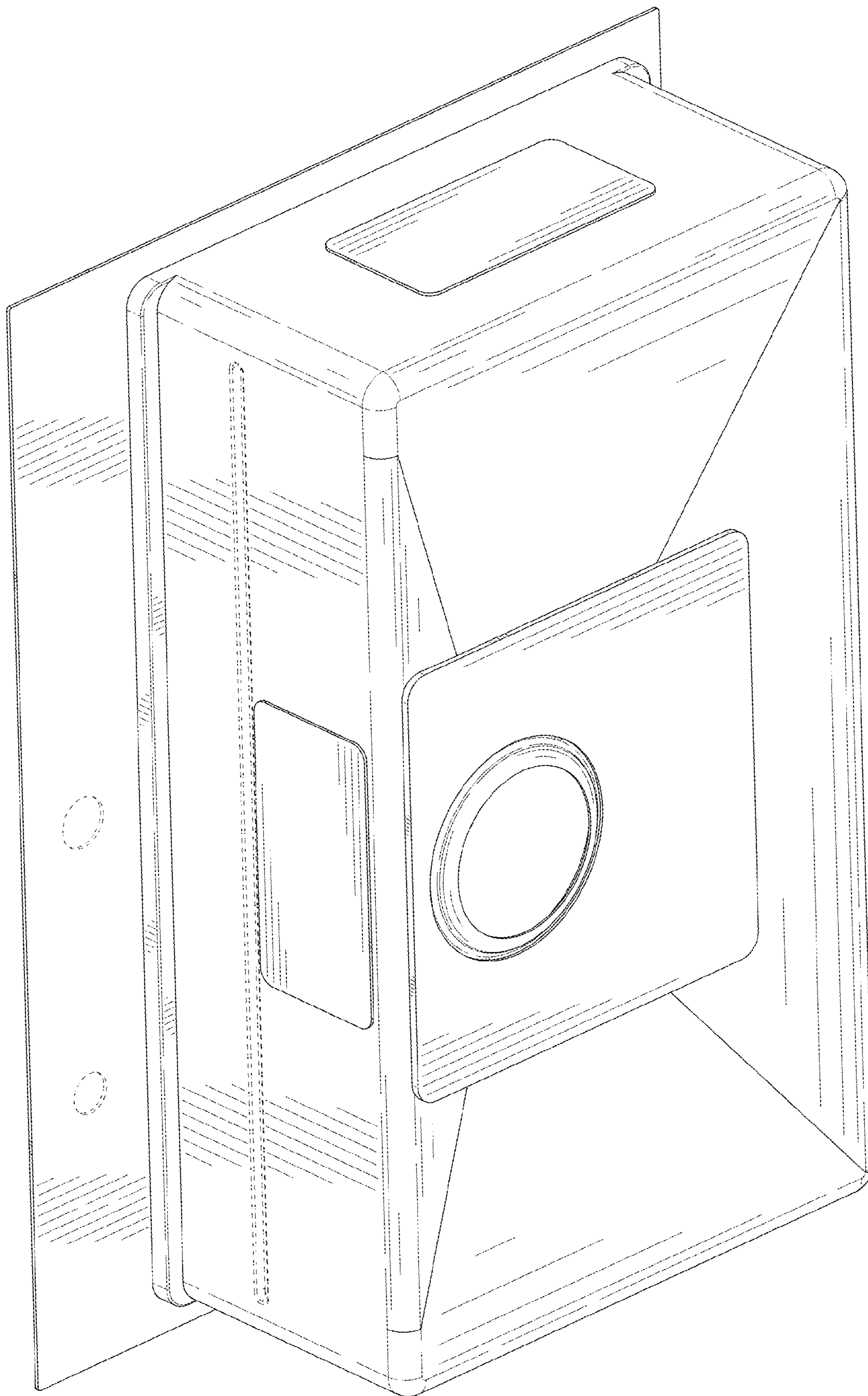


FIG. 2

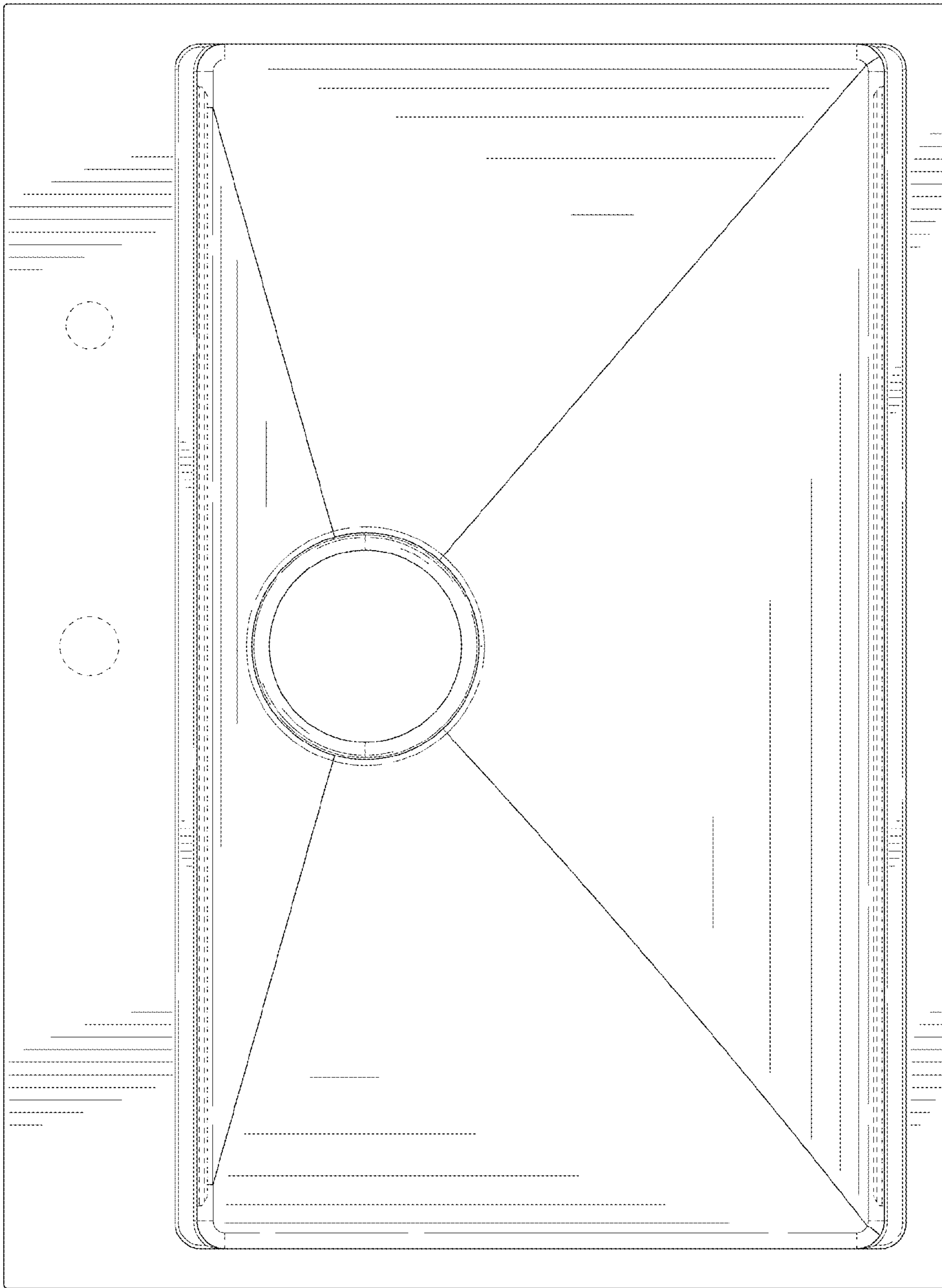


FIG. 3

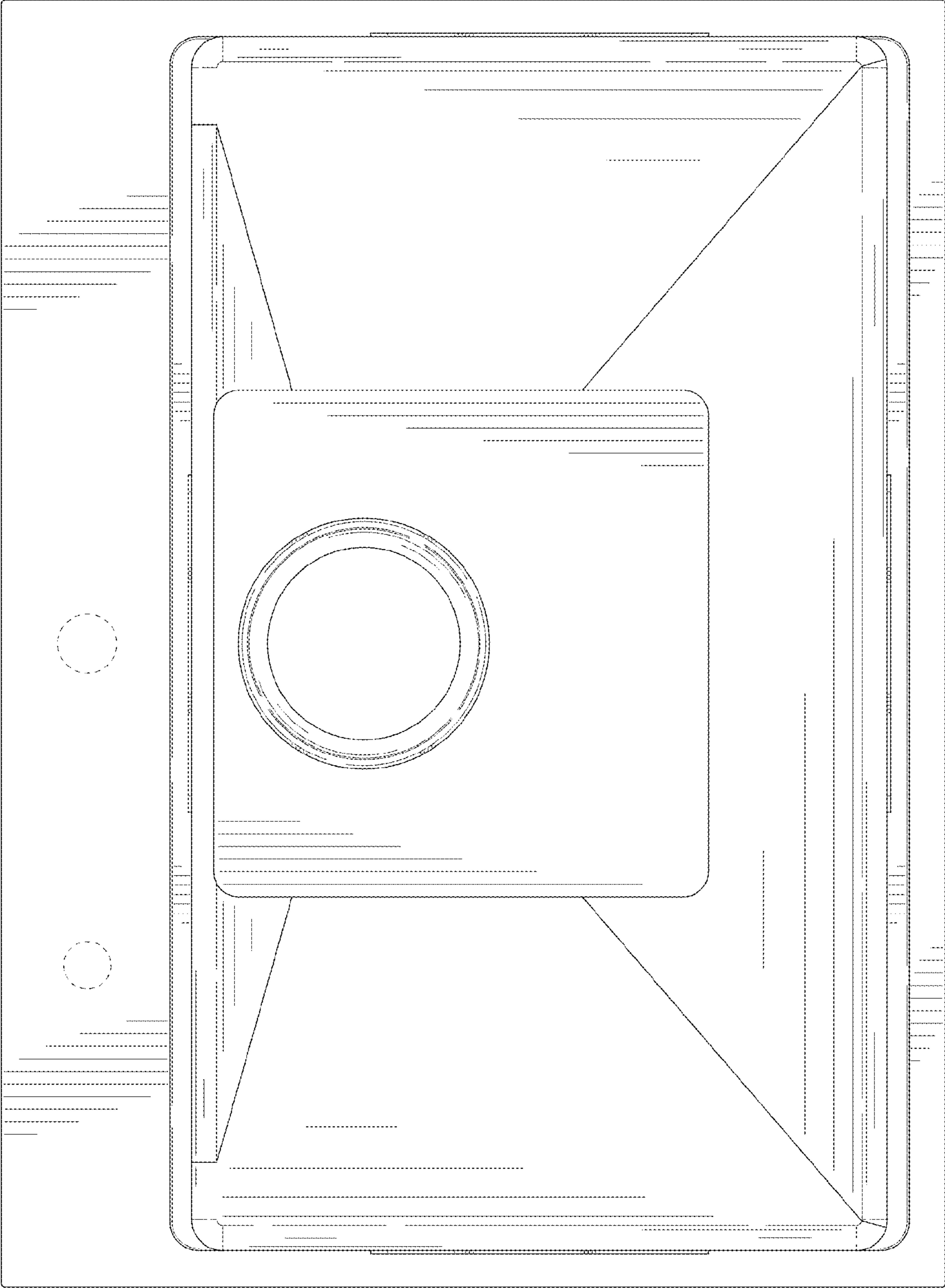


FIG. 4

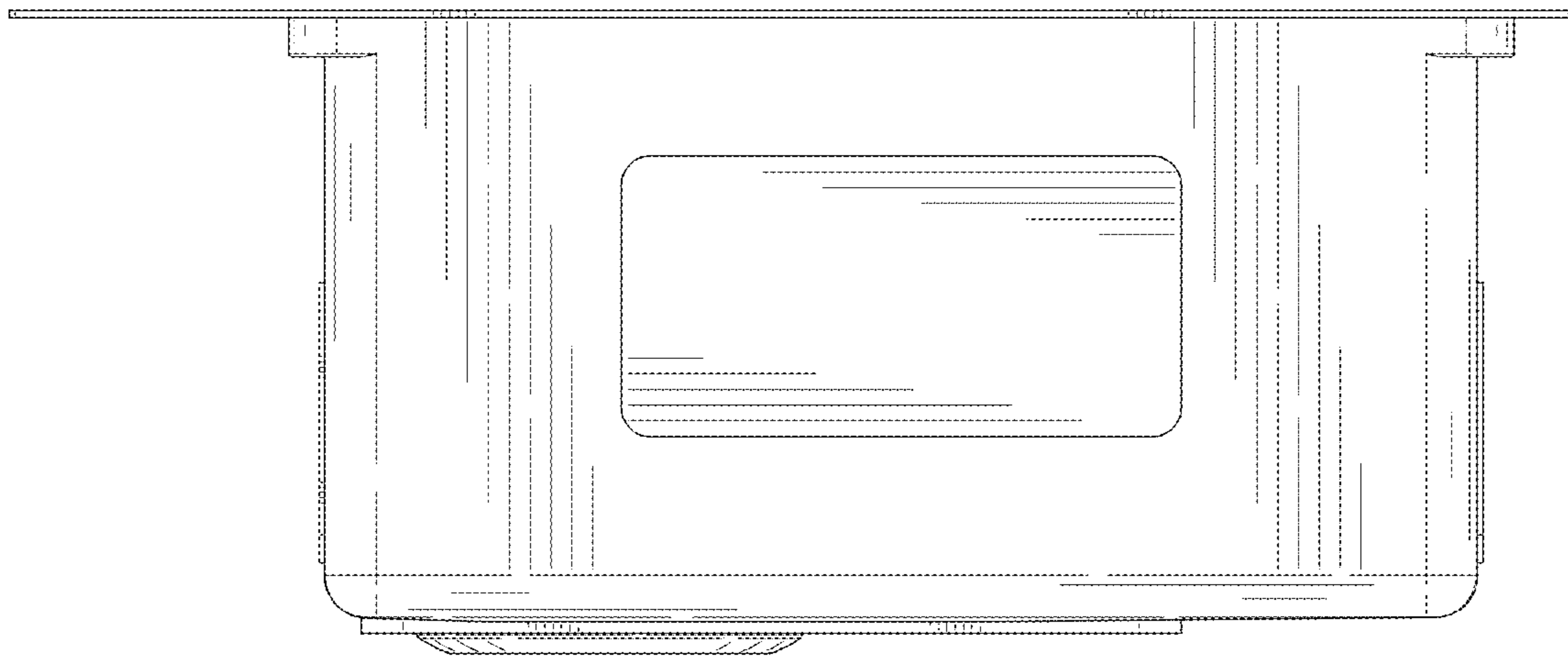


FIG. 5

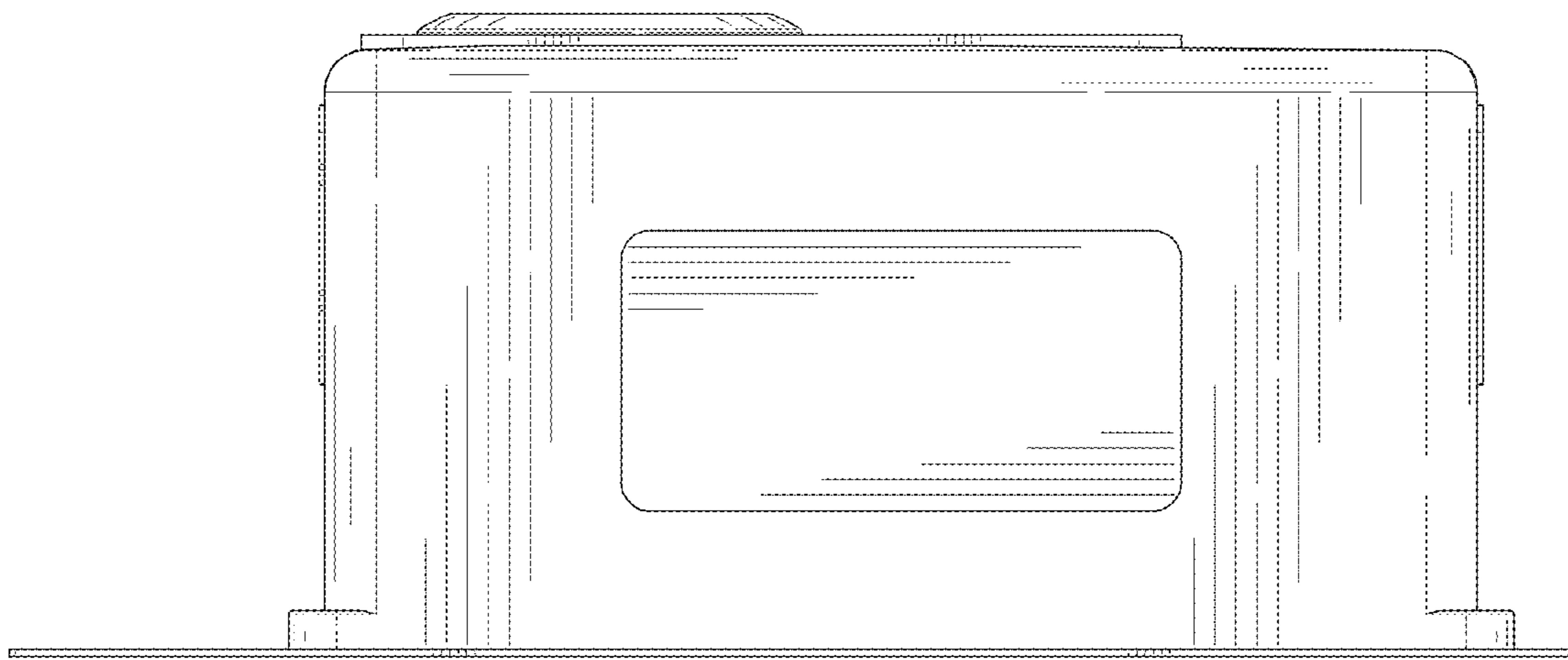


FIG. 6

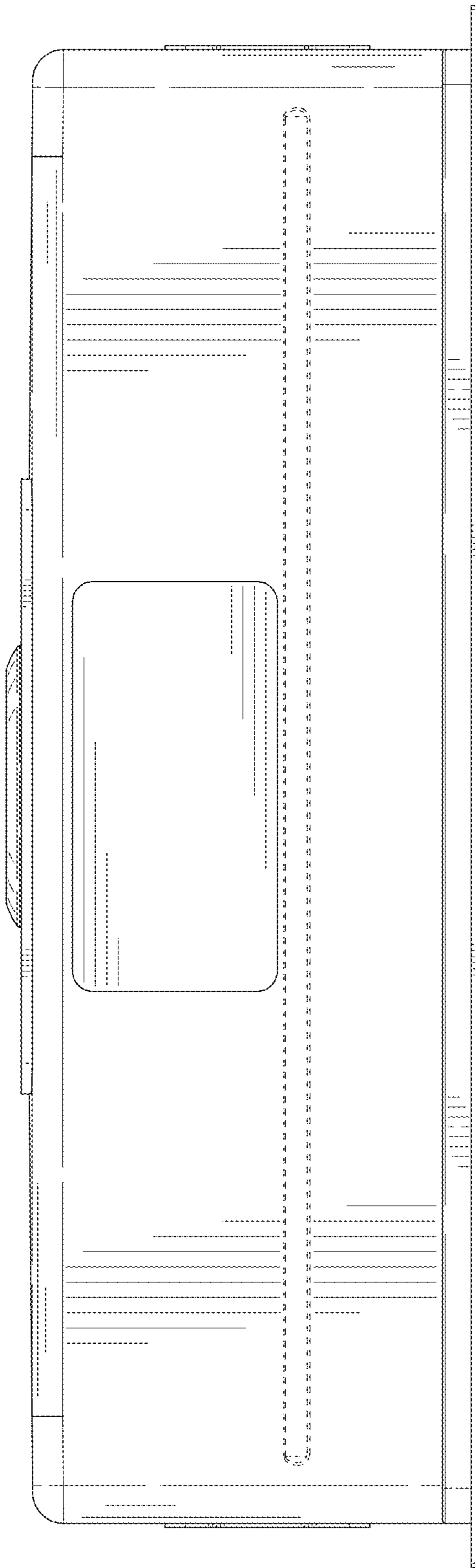


FIG. 7



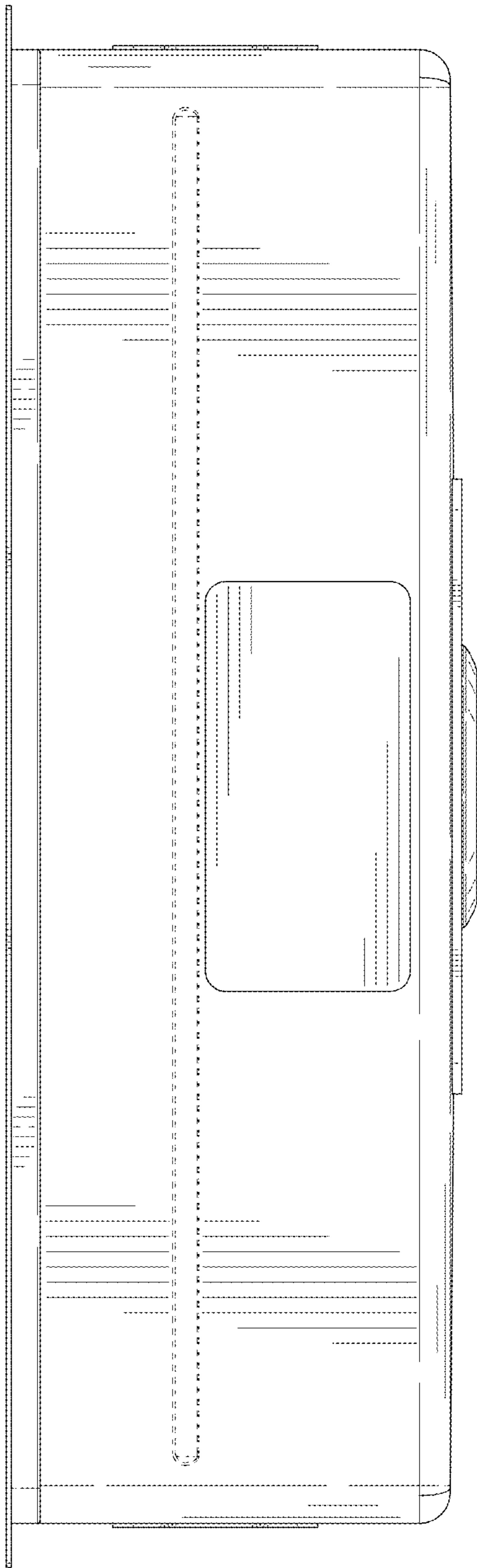


FIG. 8