



US00D972690S

(12) **United States Design Patent** (10) **Patent No.:** **US D972,690 S**
Peng (45) **Date of Patent:** **** Dec. 13, 2022**

(54) **FLOOR DRAIN RUBBER PLUG**
(71) Applicant: **Wei Peng**, Dongguan (CN)
(72) Inventor: **Wei Peng**, Dongguan (CN)
(**) Term: **15 Years**
(21) Appl. No.: **29/814,687**
(22) Filed: **Nov. 8, 2021**
(51) **LOC (13) Cl.** **23-01**
(52) **U.S. Cl.**
USPC **D23/260**
(58) **Field of Classification Search**
USPC D23/259–261, 208–209, 303, 308;
D7/667; 4/290–295, 222.1, 286, 300.3,
4/583, 652
See application file for complete search history.

(56) **References Cited**
U.S. PATENT DOCUMENTS
3,821,969 A * 7/1974 Sinko F16L 55/1141
138/89
4,745,641 A * 5/1988 Tash E03C 1/308
4/255.11
D362,048 S * 9/1995 Lang D23/262
D617,427 S * 6/2010 McNamara D23/261
D724,700 S * 3/2015 Dailey D23/260
D781,400 S * 3/2017 Montoya D23/260
D858,718 S * 9/2019 Najimi D23/260
D862,664 S 10/2019 Si
D867,551 S * 11/2019 Xiang D23/261
D894,346 S 8/2020 Brigham
D905,206 S * 12/2020 Colacino D23/261
D921,165 S * 6/2021 Chen D23/260
D921,851 S * 6/2021 Ning D23/260
D941,440 S * 1/2022 Lu D23/260
D956,186 S * 6/2022 Ma D23/260

OTHER PUBLICATIONS
KEHOXRE Brand 2 PK Bathtub Stopper Universal Stopper; First
Available Date Jun. 22, 2022; Visited Online Sep. 2, 2022; <https://>

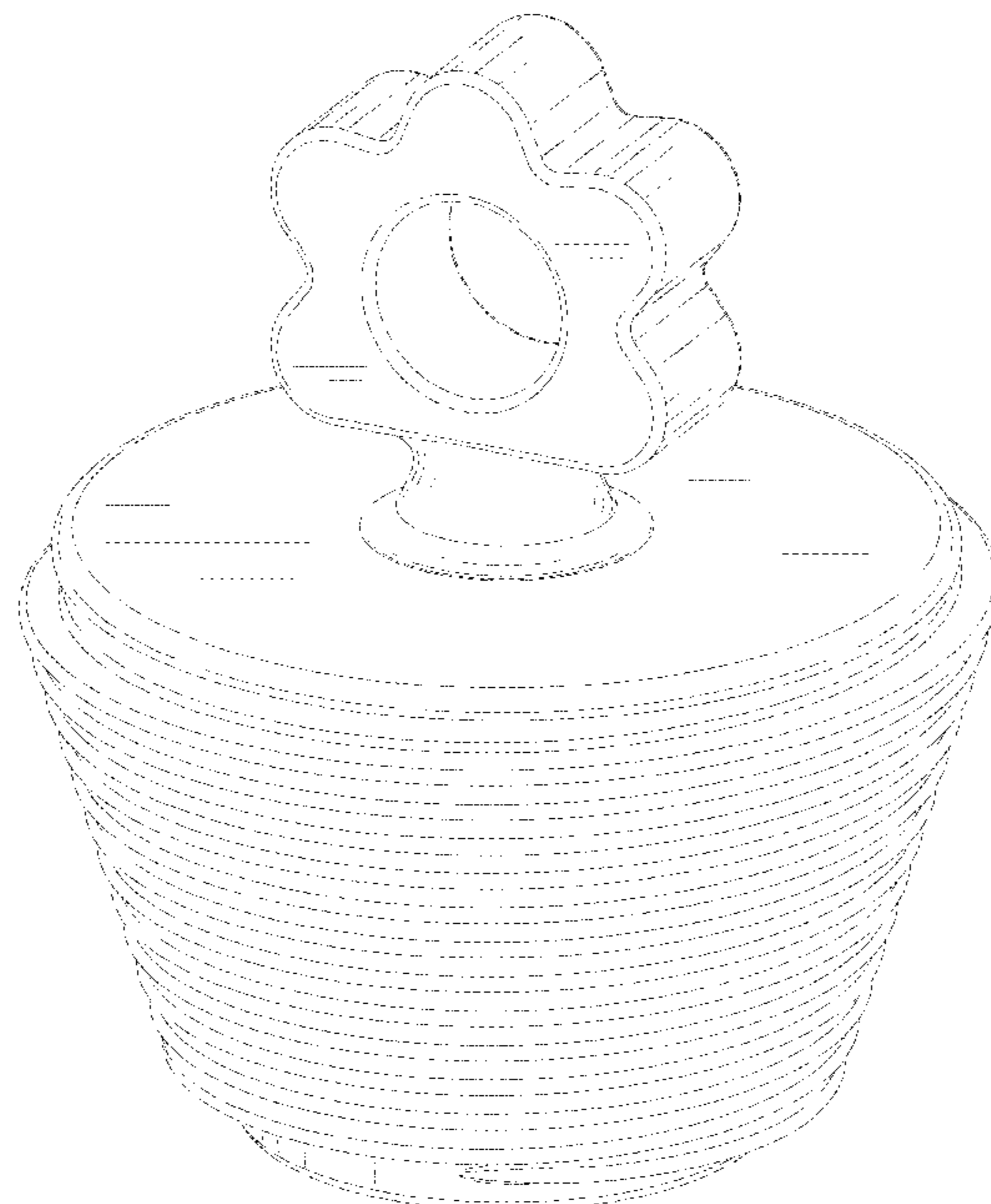
www.amazon.com/dp/B0B4R76BC1/ref=sspa_dk_detail_5?pf_rd_p=bff6e147-54ad-4be3-b4ea-ec19ea6167f7&pf_rd_r=4HTX5PC0PHKPJFPGAVQY&pd_rd_wg=4rB8X&pd_rd_w=cfHrF&content-id=amzn1.sym.bff6e147-54ad-4be3-b4ea-ec19ea6167f7&pd_rd_r=d44a4584-6aac-4d8a-8034-b95bdcddcc4b1&s=home-garden&sp_csd=d2IkZ2V0TmFtZT1zcF9kZXRhaWwy&spLa=ZW5jcnIwdGVkUXVhbGImaWVyPUEyWjRWV0xWMjRKUkV MJmVuY3J5cHRIZEIkPUEwMjI2NzgxM0hJTUdXM1NUWFIwNiZlbnNyeXB0ZWRBZEIkPUEwOTUxOTUyMjBS09EMEIIMURBWCZ3aWRnZXROYW1lPXNwX2RldGFpbDImYWNoaW9uPWNsaWNrUmVkaXJlY3QmZG9Ob3RMb2dDbGJjaz10cnVI&th=1 (Year: 2022).*

* cited by examiner
Primary Examiner — Amy C Wierenga
(74) *Attorney, Agent, or Firm* — Che-Yang Chen; Law Office of Michael Chen

(57) **CLAIM**
The ornamental design for a floor drain rubber plug, as shown and described.

DESCRIPTION
FIG. 1 is a perspective view of the floor drain rubber plug showing my new design;
FIG. 2 is a perspective view thereof from another angle;
FIG. 3 is a front elevational view thereof;
FIG. 4 is a rear elevational view thereof;
FIG. 5 is a left side elevational view thereof;
FIG. 6 is a right side elevational view thereof;
FIG. 7 is a top plan view of thereof; and,
FIG. 8 is a bottom plan view of thereof.

1 Claim, 8 Drawing Sheets



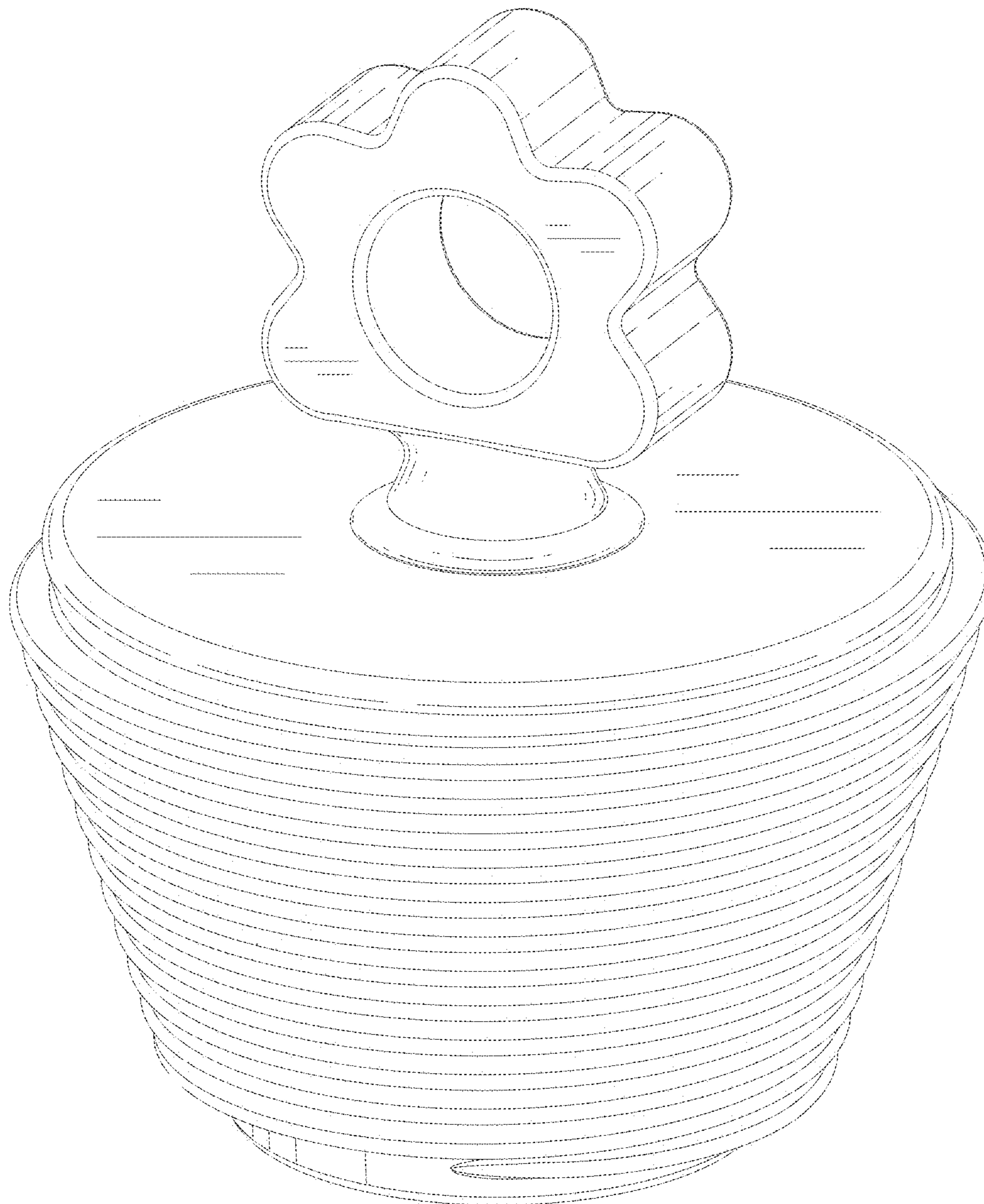


FIG. 1

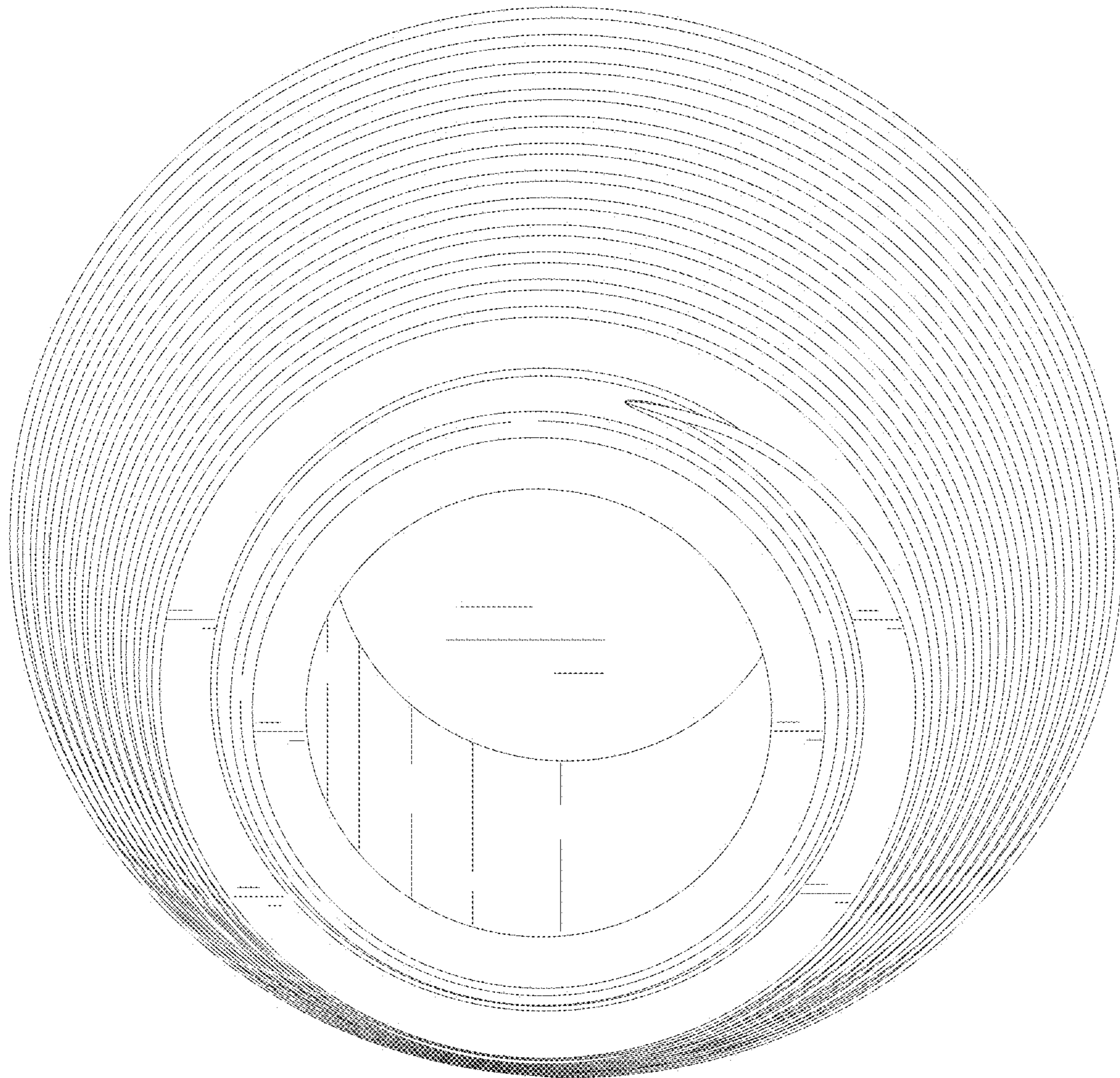


FIG. 2

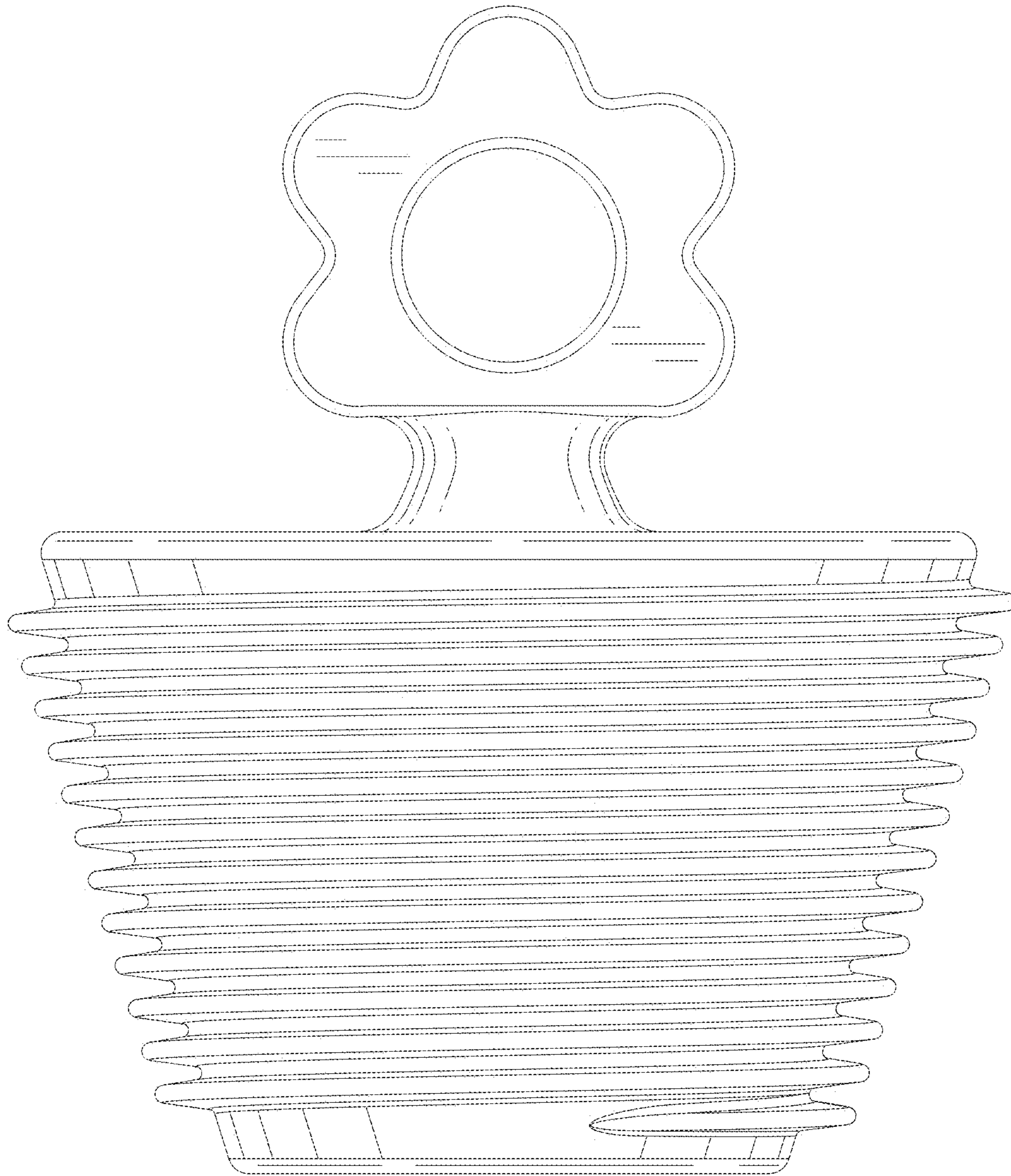


FIG. 3

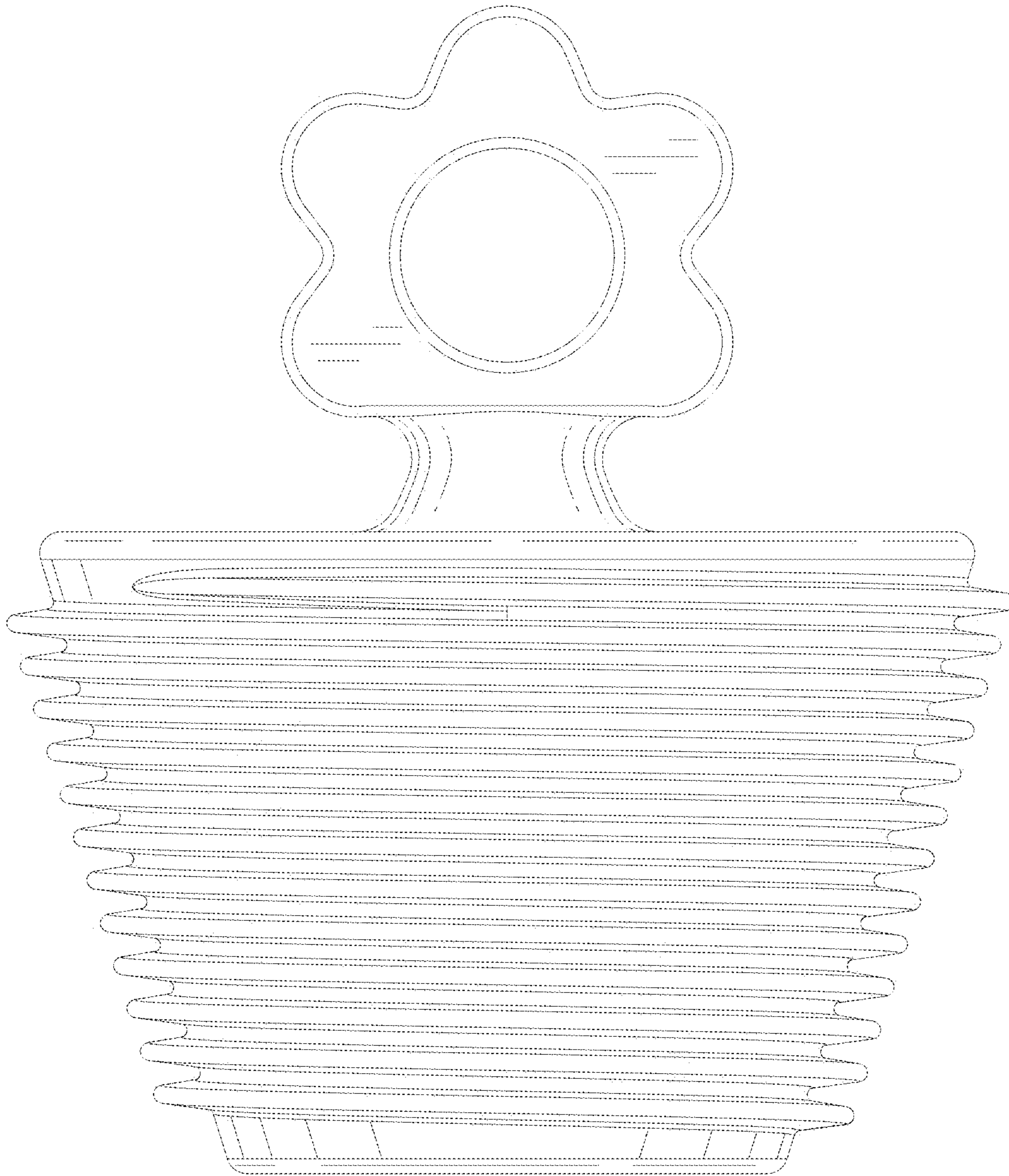


FIG. 4

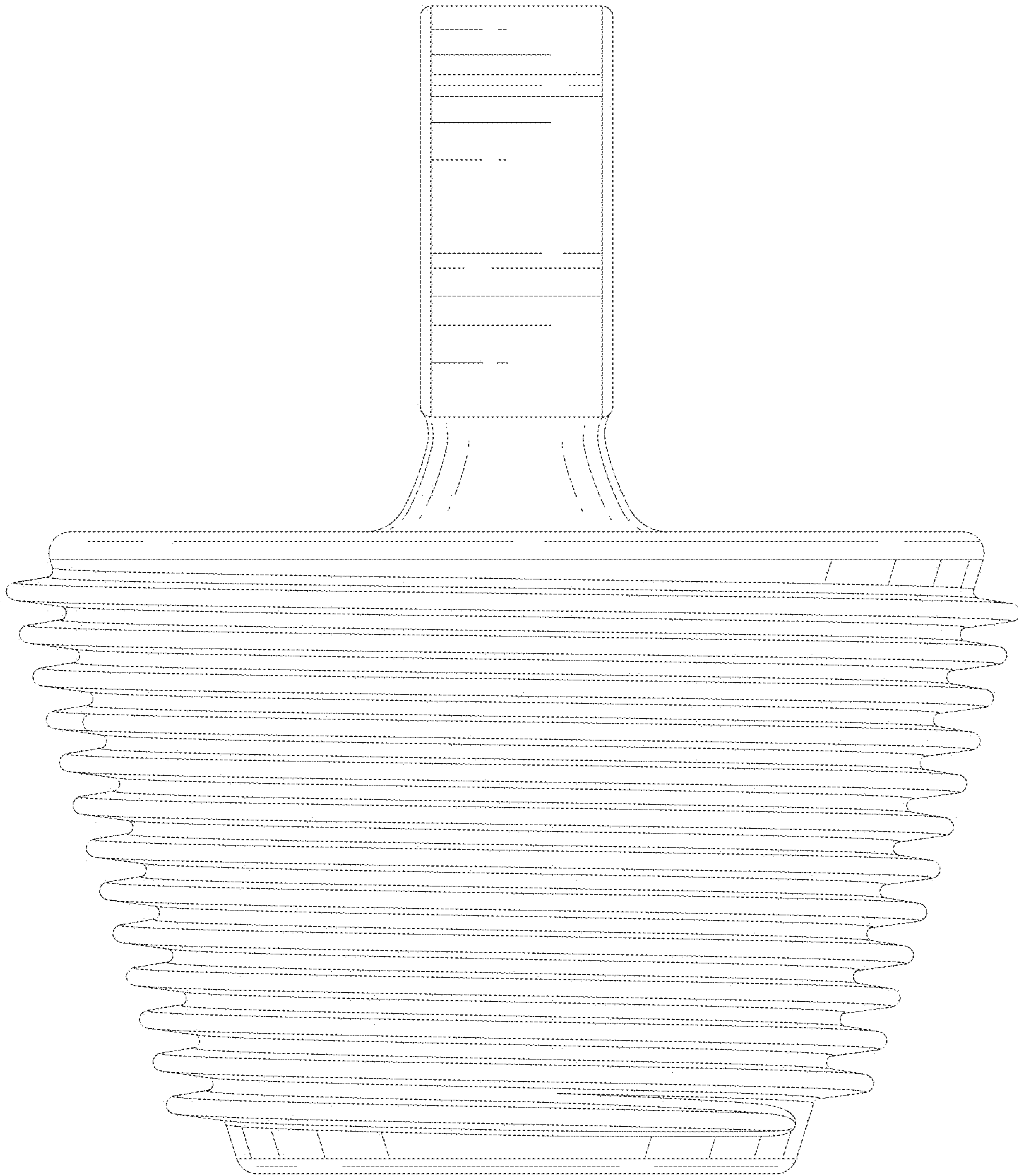


FIG.5

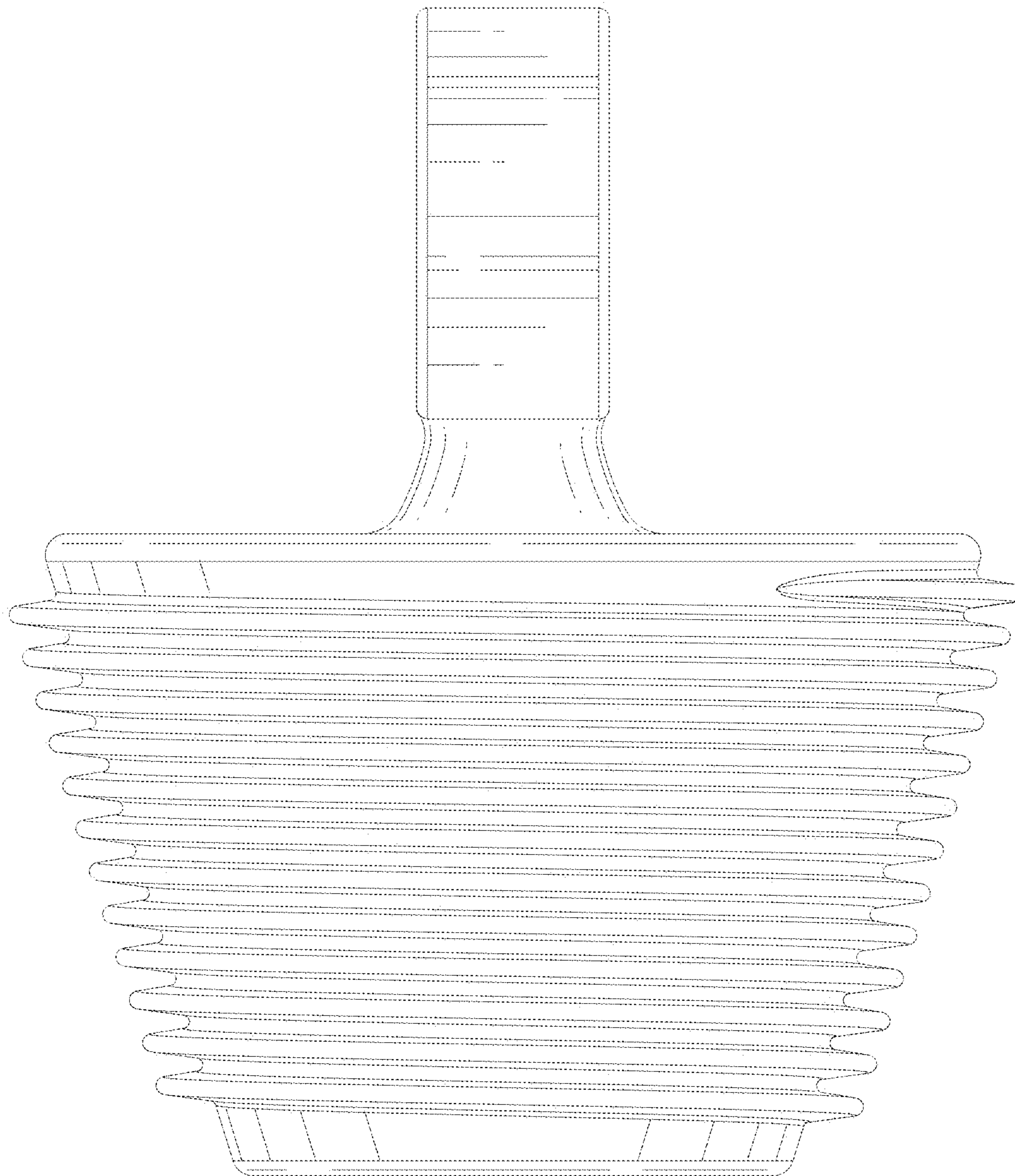


FIG.6

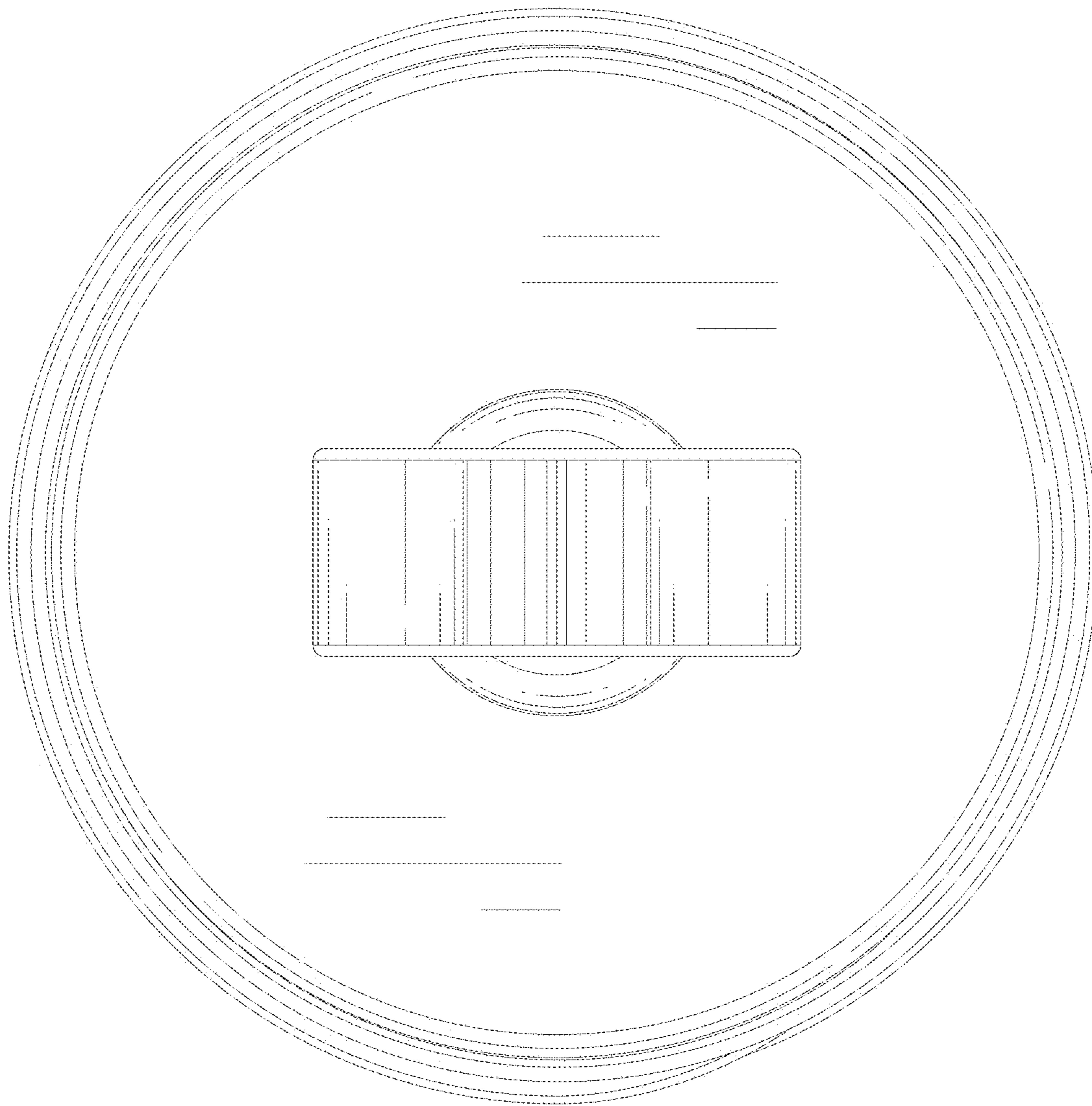


FIG. 7

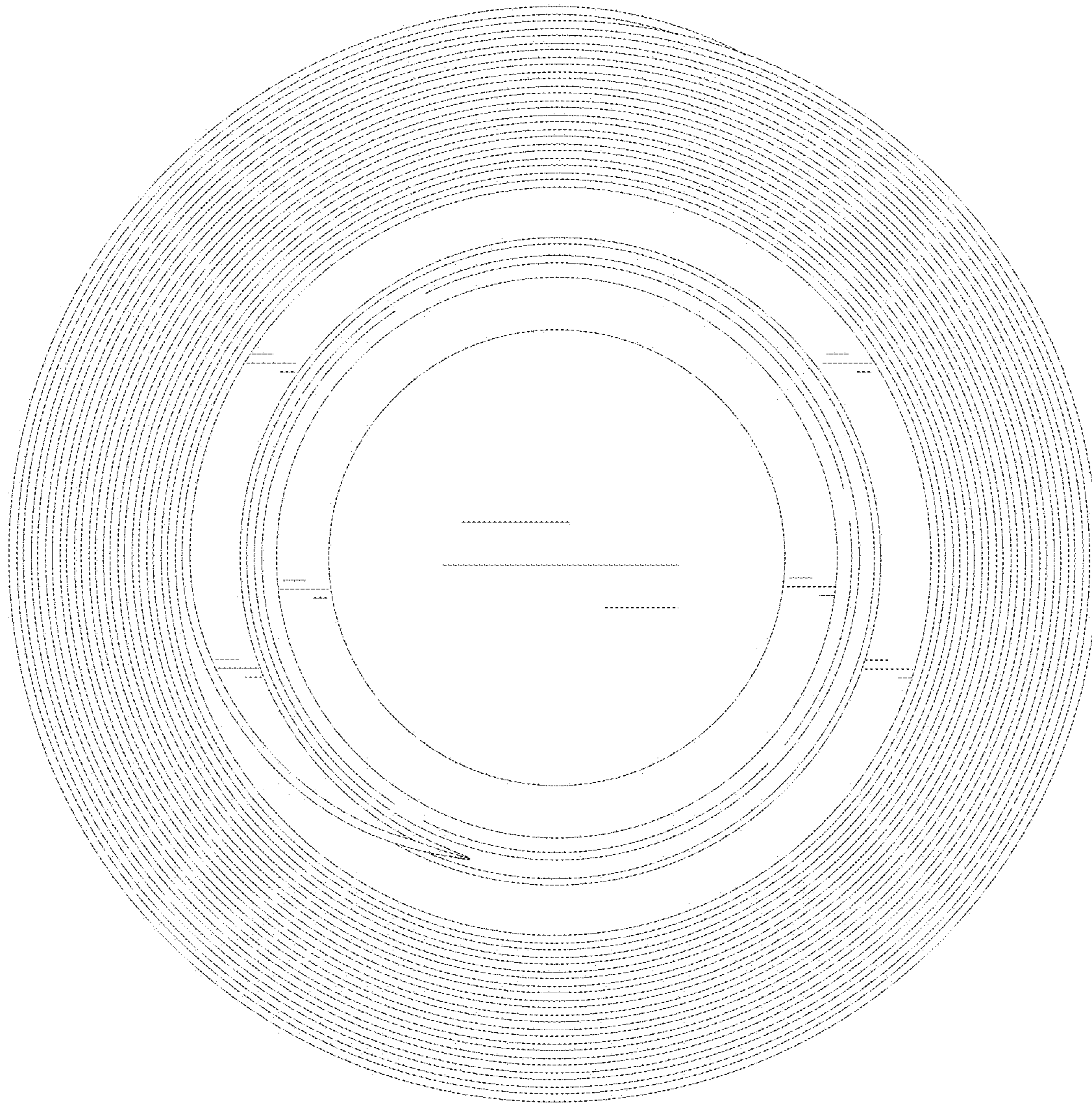


FIG. 8