



US00D972689S

(12) **United States Design Patent** (10) **Patent No.:** **US D972,689 S**
Wu (45) **Date of Patent:** **** Dec. 13, 2022**

(54) **HOSE FITTING**
(71) Applicant: **SHENZHEN GEDUO NETWORK TECHNOLOGY CO., LTD.**, Shenzhen (CN)
(72) Inventor: **Huan Wu**, Wuxue (CN)
(73) Assignee: **SHENZHEN GEDUO NETWORK TECHNOLOGY CO., LTD.**, Shenzhen (CN)
(**) Term: **15 Years**
(21) Appl. No.: **29/791,511**
(22) Filed: **Jan. 13, 2022**
(51) **LOC (13) Cl.** **23-01**
(52) **U.S. Cl.**
USPC **D23/259; D23/262; D24/129**
(58) **Field of Classification Search**
USPC **D23/266, 259, 262, 213; D24/129; D8/2; D13/151**
CPC **F16L 31/00**
See application file for complete search history.

D851,759 S * 6/2019 Jones D24/129
D873,978 S 1/2020 Edwards
D923,155 S * 6/2021 Mezzalana D23/262
D924,373 S * 7/2021 Hamasaki D23/259
D928,914 S * 8/2021 Dubac D23/213

FOREIGN PATENT DOCUMENTS

CN 301153812 * 3/2010
CN 305357760 * 9/2019

OTHER PUBLICATIONS

Vitality Medical Non-Vented Dispensing Pin With Safesite Valve; Customer Review Date Feb. 10, 2020; Visited Online Oct. 14, 2022; [https://www.vitalitymedical.com/safesite-valve.html?gclid=EALalQobChMI5bXxsdvg-glVjlzCh2Sqw-eEAsYBCABEgLDDPD_BwE \(Year: 2020\).](https://www.vitalitymedical.com/safesite-valve.html?gclid=EALalQobChMI5bXxsdvg-glVjlzCh2Sqw-eEAsYBCABEgLDDPD_BwE (Year: 2020).)*

* cited by examiner

Primary Examiner — Amy C Wierenga
(74) *Attorney, Agent, or Firm* — Jeenam Park

(57) **CLAIM**

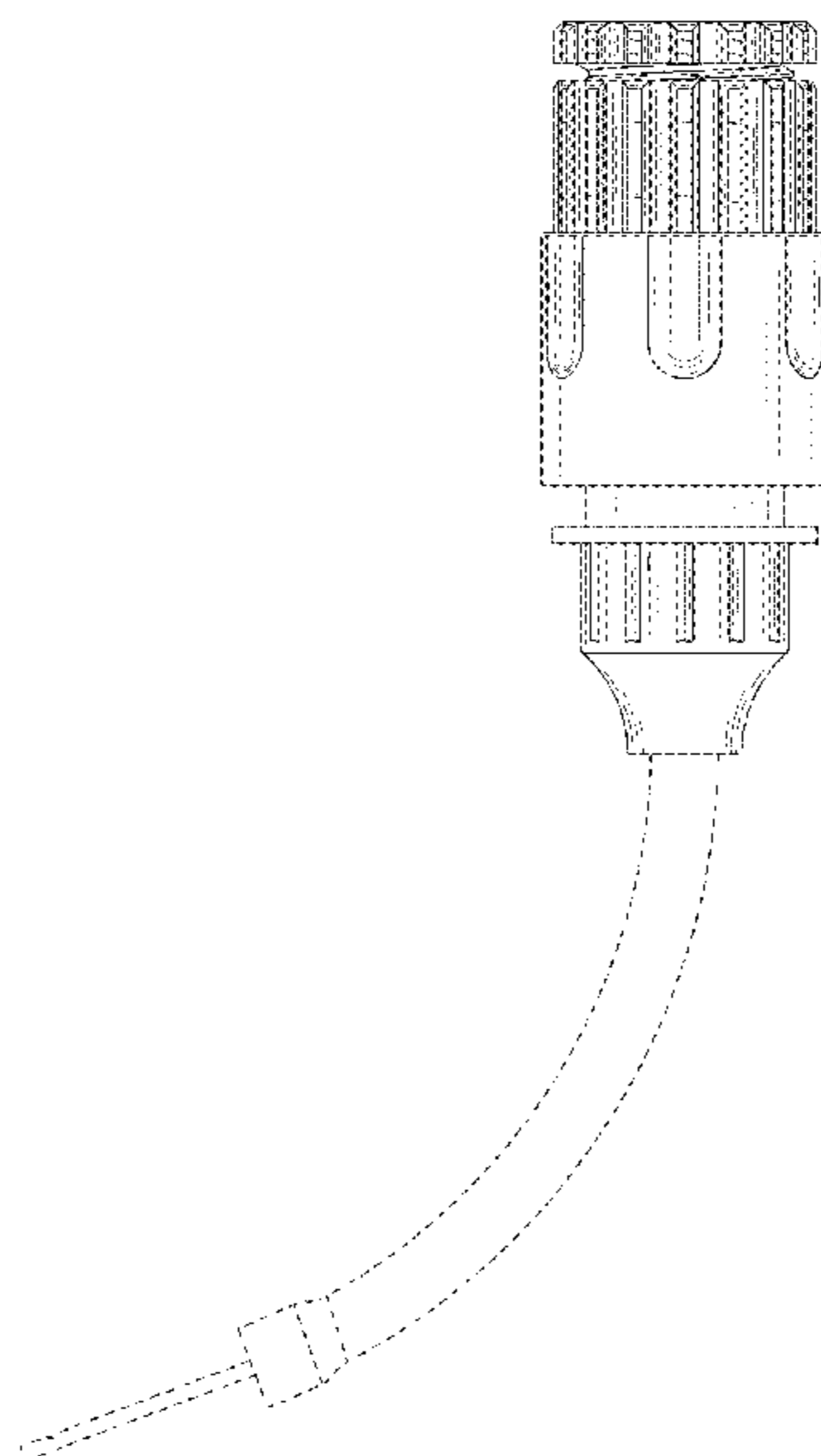
The ornamental design for a hose fitting, as shown and described.

DESCRIPTION

FIG. 1 is a top front perspective view of a hose fitting, showing my new design;
FIG. 2 is a bottom rear perspective view of the hose fitting;
FIG. 3 is a front view thereof;
FIG. 4 is a rear view thereof;
FIG. 5 is a left side view thereof;
FIG. 6 is a right side view thereof;
FIG. 7 is a top plan view thereof; and,
FIG. 8 is a bottom plan view thereof.
The broken lines shown in the drawings illustrate environment and forms no part of the claimed design.

1 Claim, 8 Drawing Sheets

(56) **References Cited**
U.S. PATENT DOCUMENTS
2,343,647 A * 3/1944 Doerr B05B 1/308
239/457
D575,377 S * 8/2008 Roman D23/259
D717,406 S * 11/2014 Stanley D23/259
D719,244 S * 12/2014 Yang D23/262
D760,363 S * 6/2016 Yang D23/262
D802,102 S 11/2017 Mursu et al.
D804,619 S 12/2017 Mursu et al.
D805,612 S 12/2017 Mursu et al.
D822,800 S * 7/2018 Näslund D23/262
D830,525 S * 10/2018 Lyell D23/262
D833,586 S * 11/2018 Khubani D23/262
D834,688 S * 11/2018 Khubani D23/262



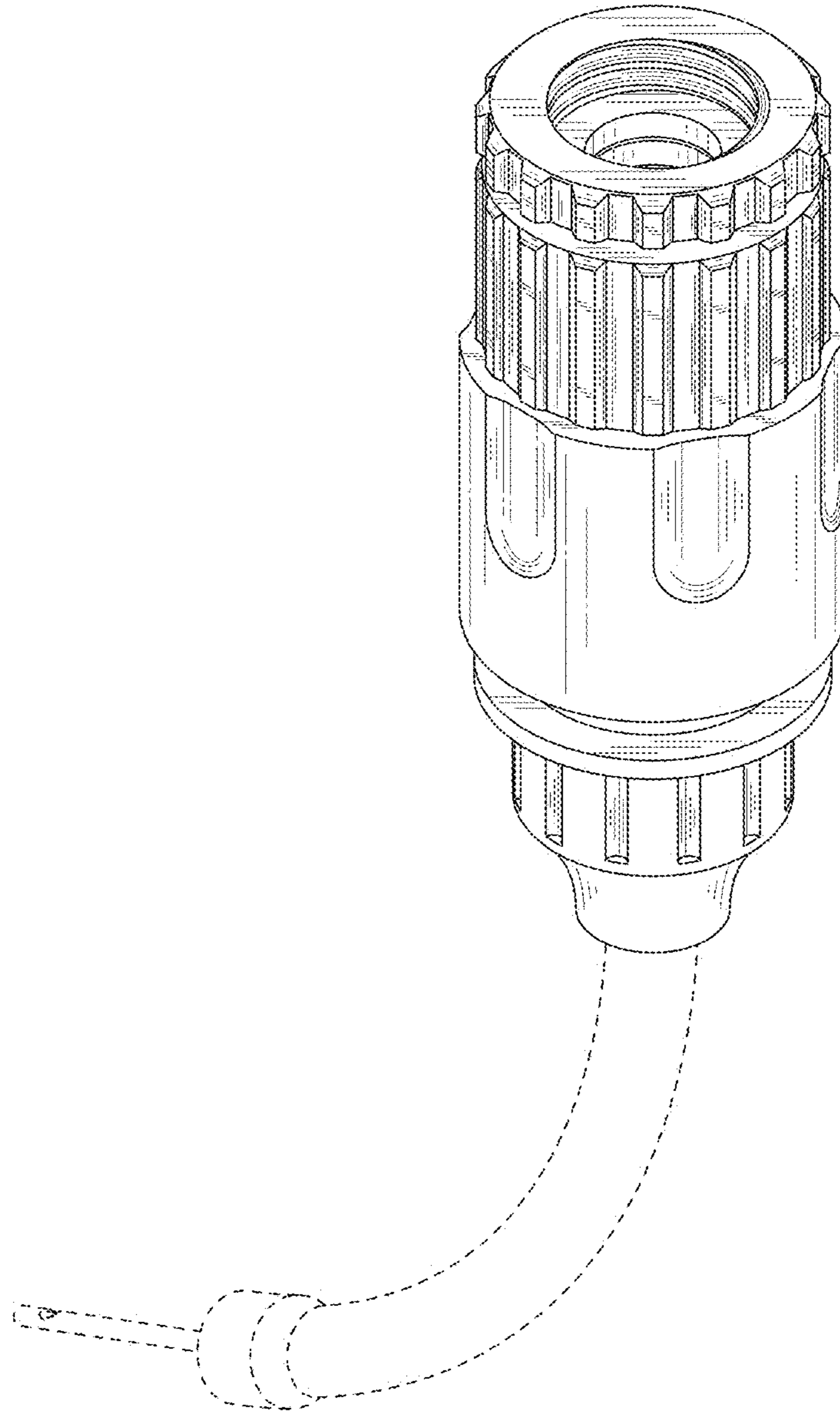


FIG. 1

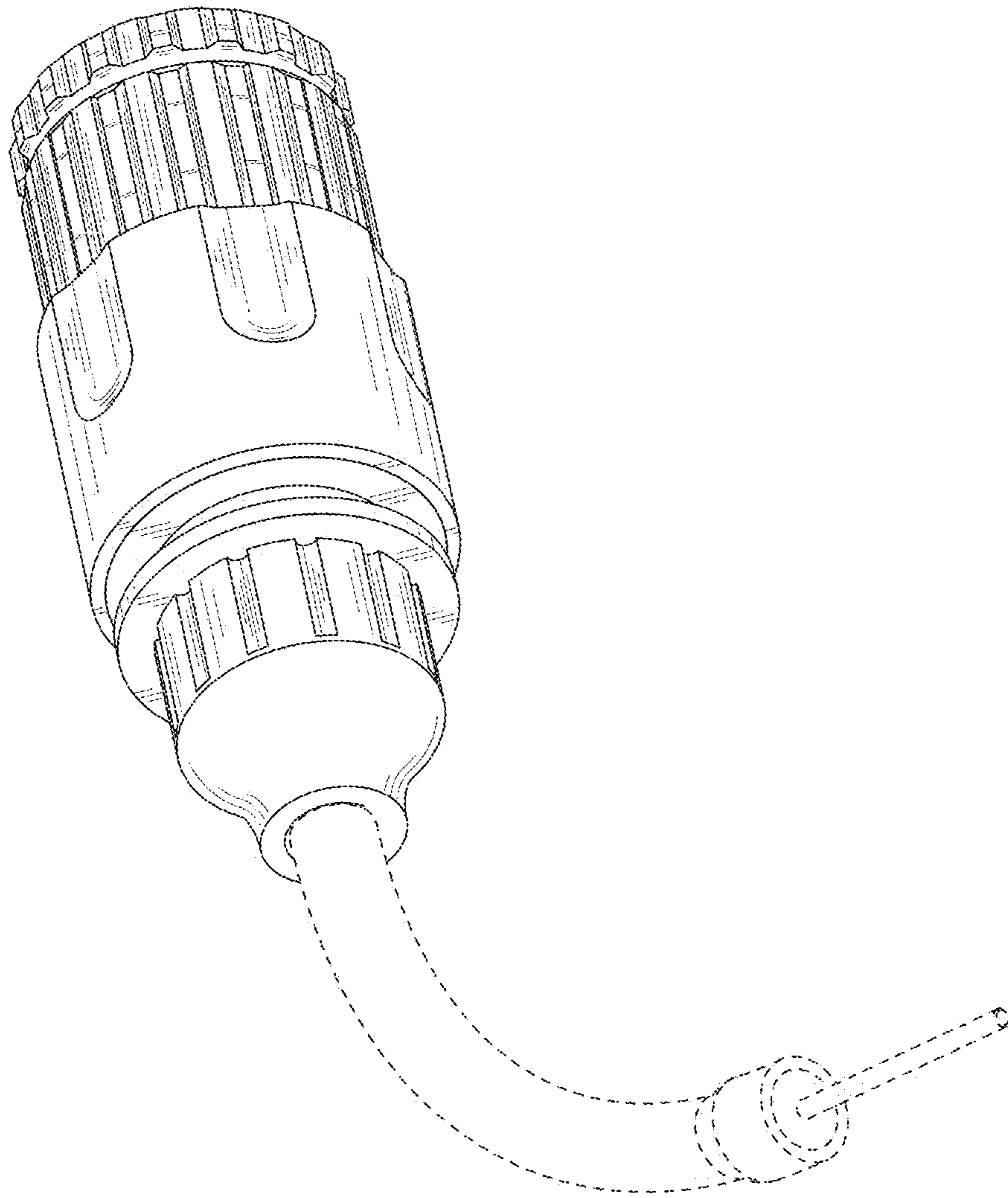


FIG. 2

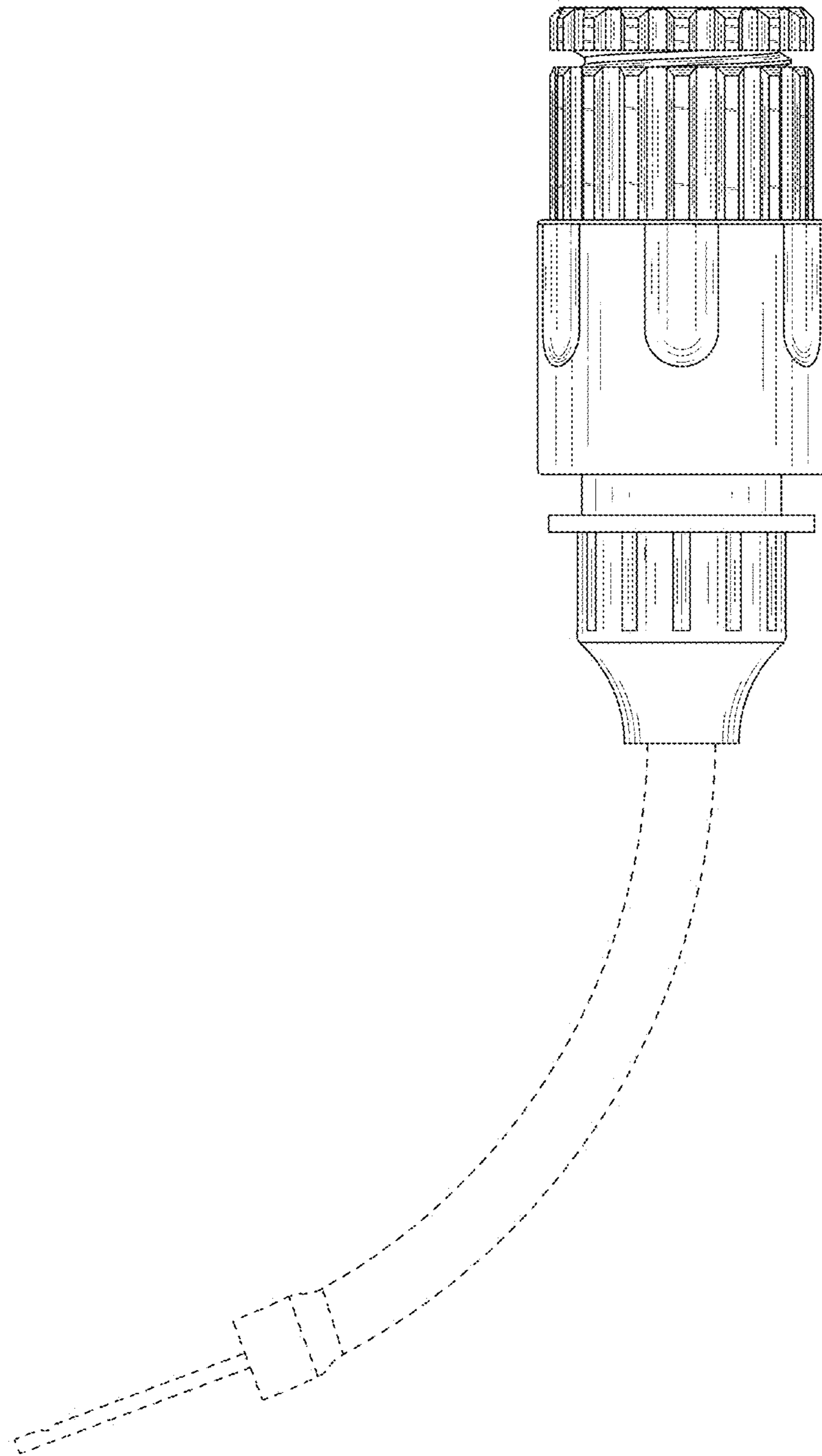


FIG. 3

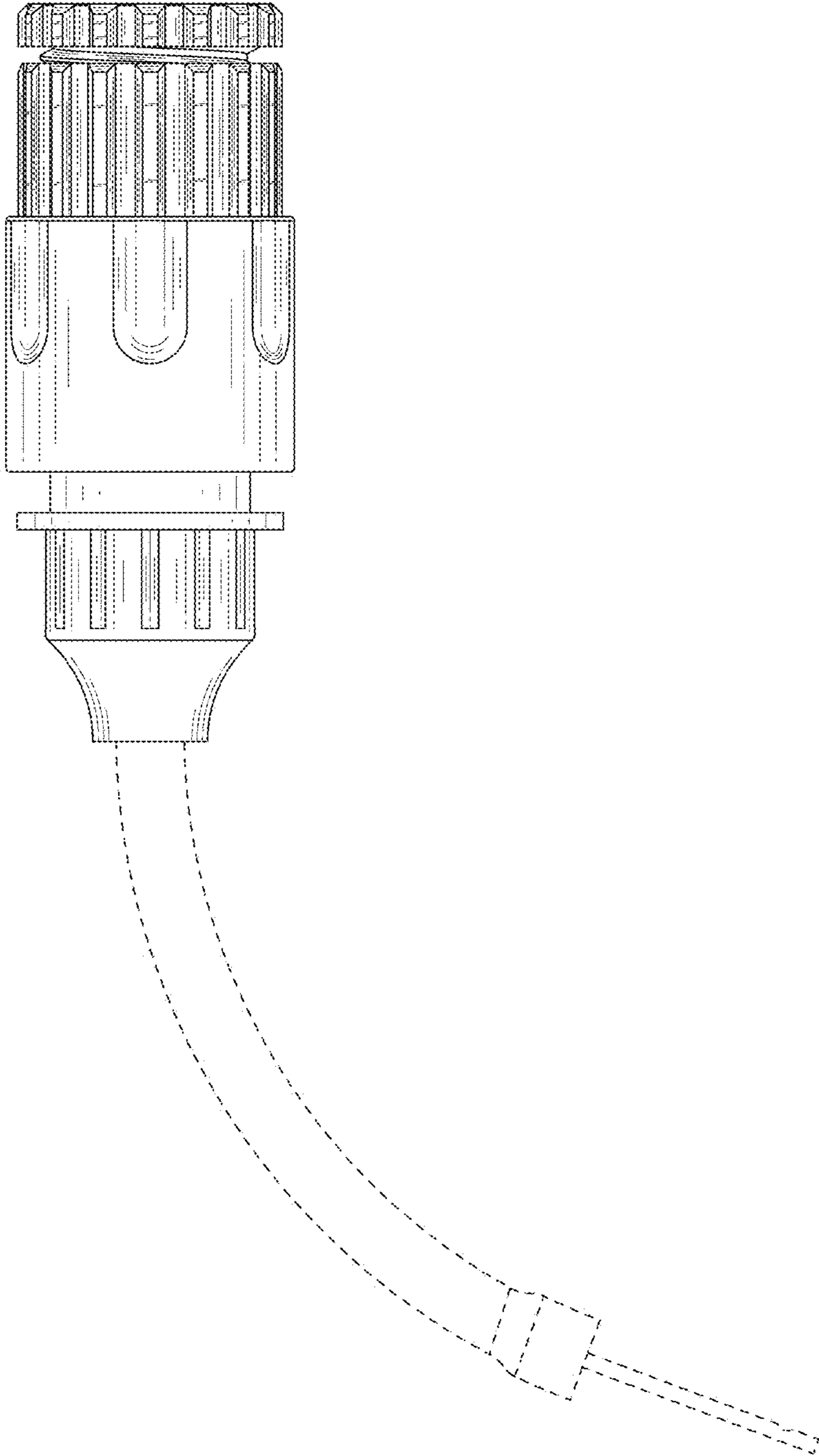


FIG. 4

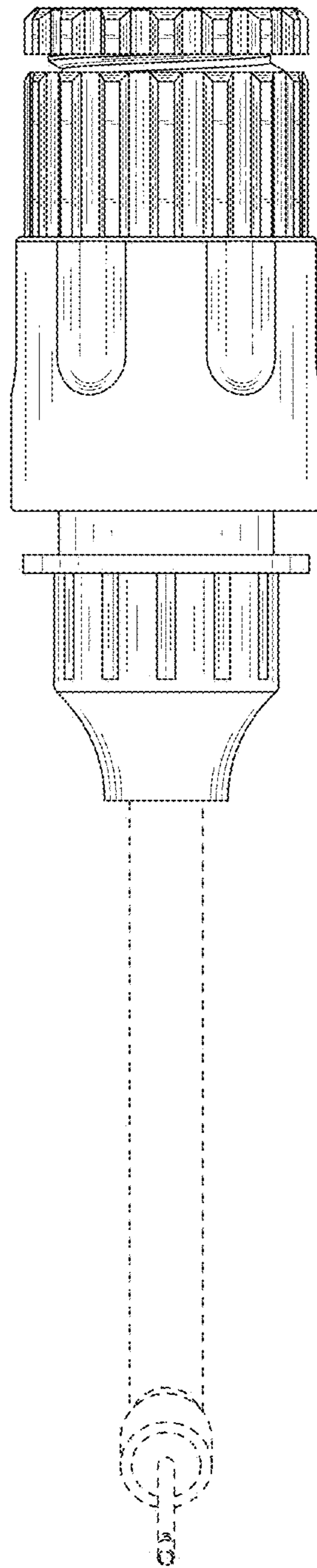


FIG. 5

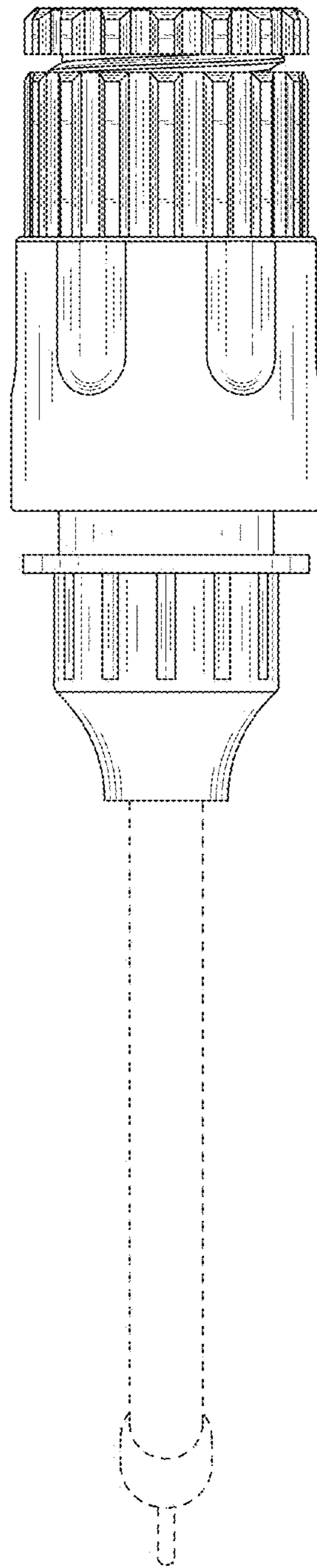


FIG. 6

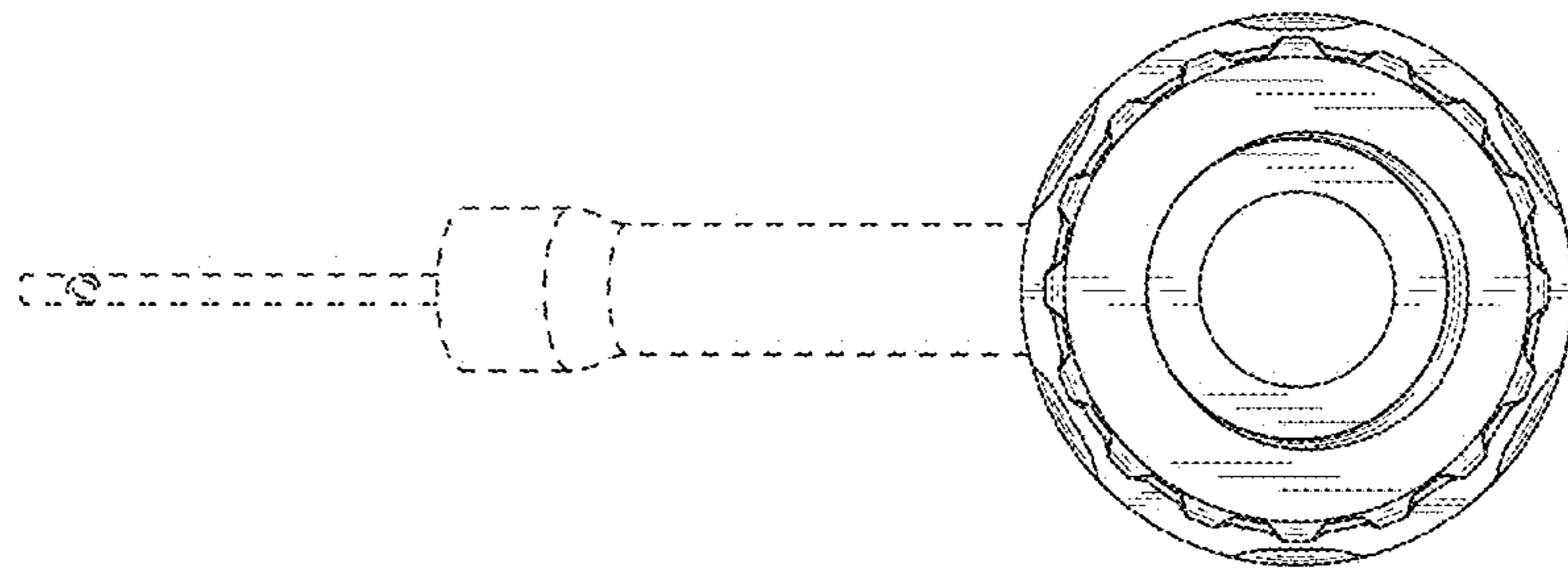


FIG. 7

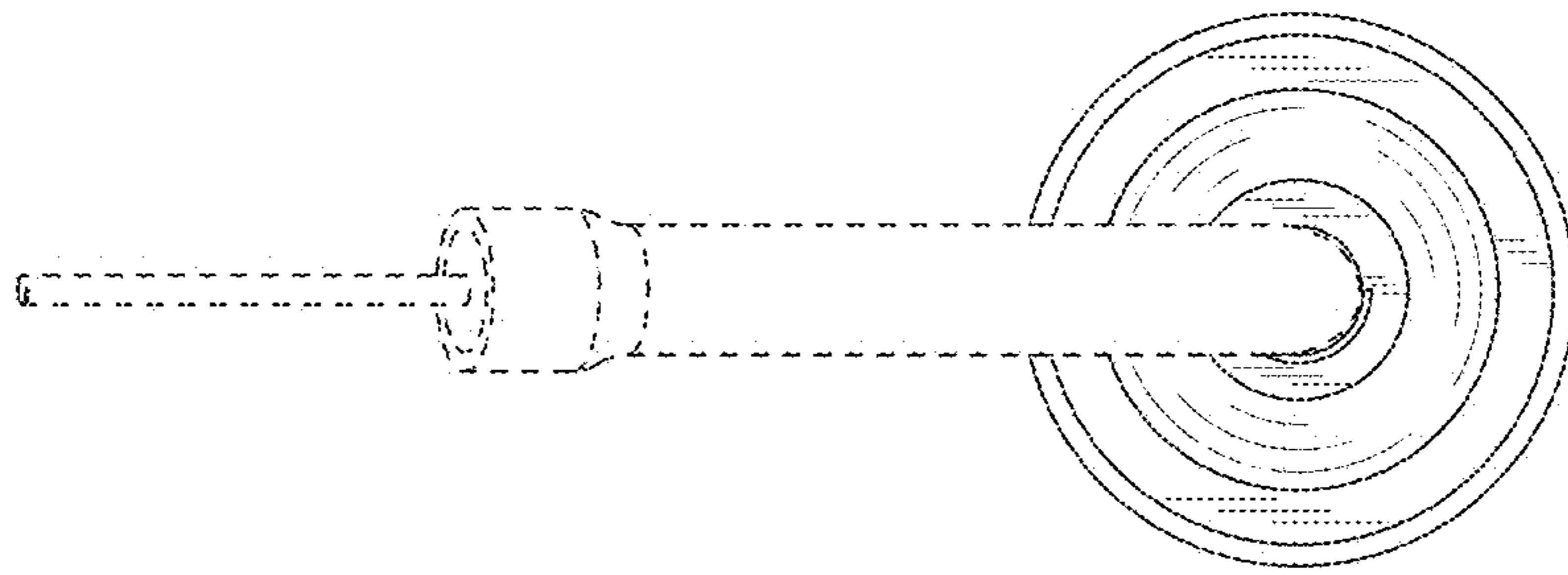


FIG. 8