



US00D972688S

(12) **United States Design Patent**
Murakami

(10) **Patent No.: US D972,688 S**

(45) **Date of Patent: ** *Dec. 13, 2022**

(54) **ELECTROMAGNETIC VALVE**

(71) Applicant: **SMC CORPORATION**, Tokyo (JP)

(72) Inventor: **Takashi Murakami**, Moriya (JP)

(73) Assignee: **SMC CORPORATION**, Tokyo (JP)

(*) Notice: This patent is subject to a terminal disclaimer.

(**) Term: **15 Years**

(21) Appl. No.: **29/769,094**

(22) Filed: **Feb. 3, 2021**

(30) **Foreign Application Priority Data**

Sep. 8, 2020 (JP) 2020-019119 D

(51) **LOC (13) Cl.** **23-01**

(52) **U.S. Cl.**
USPC **D23/233**

(58) **Field of Classification Search**
USPC D23/233, 235, 249
CPC F16K 11/24; F16K 27/0263; F16K 27/029;
F16K 27/048; F16K 31/0675; F16K
31/082; F02M 63/0017; F02M 51/061
See application file for complete search history.

(56) **References Cited**

U.S. PATENT DOCUMENTS

D827,777 S * 9/2018 Miyazoe D23/233
D827,778 S * 9/2018 Miyazoe D23/233

D872,833 S * 1/2020 Takahashi D23/233
D891,586 S * 7/2020 Sekine D23/249
D892,981 S * 8/2020 Takahashi D23/233
D892,982 S * 8/2020 Takahashi D23/233
D910,814 S * 2/2021 Yoshimura D23/233
D910,815 S * 2/2021 Yoshimura D23/233
D918,342 S * 5/2021 Yoshida D23/233

* cited by examiner

Primary Examiner — Selina Sikder

(74) *Attorney, Agent, or Firm* — Oblon, McClelland,
Maier & Neustadt, L.L.P.

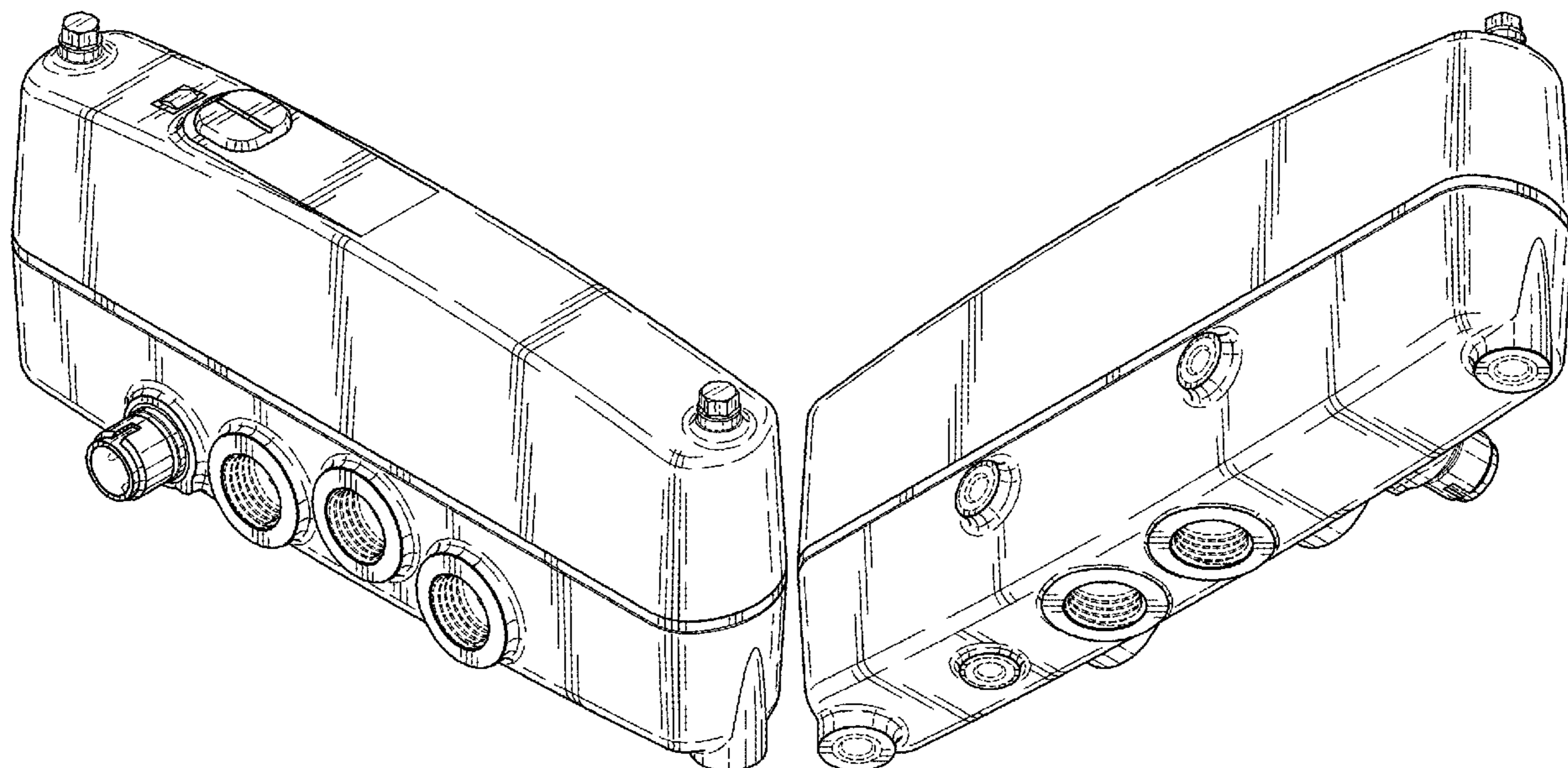
(57) **CLAIM**

The ornamental design for an electromagnetic valve, as shown and described.

DESCRIPTION

FIG. 1 is a front, top, and left side perspective view of an electromagnetic valve showing the new design.
FIG. 2 is a rear, bottom, and right side perspective view thereof.
FIG. 3 is a front elevational view thereof.
FIG. 4 is a rear elevational view thereof.
FIG. 5 is a top plan view thereof.
FIG. 6 is a bottom plan view thereof.
FIG. 7 is a left side elevational view thereof; and,
FIG. 8 is a right side elevational view thereof.
The broken lines depict portions of the electromagnetic valve that form no part of the claimed design.

1 Claim, 8 Drawing Sheets



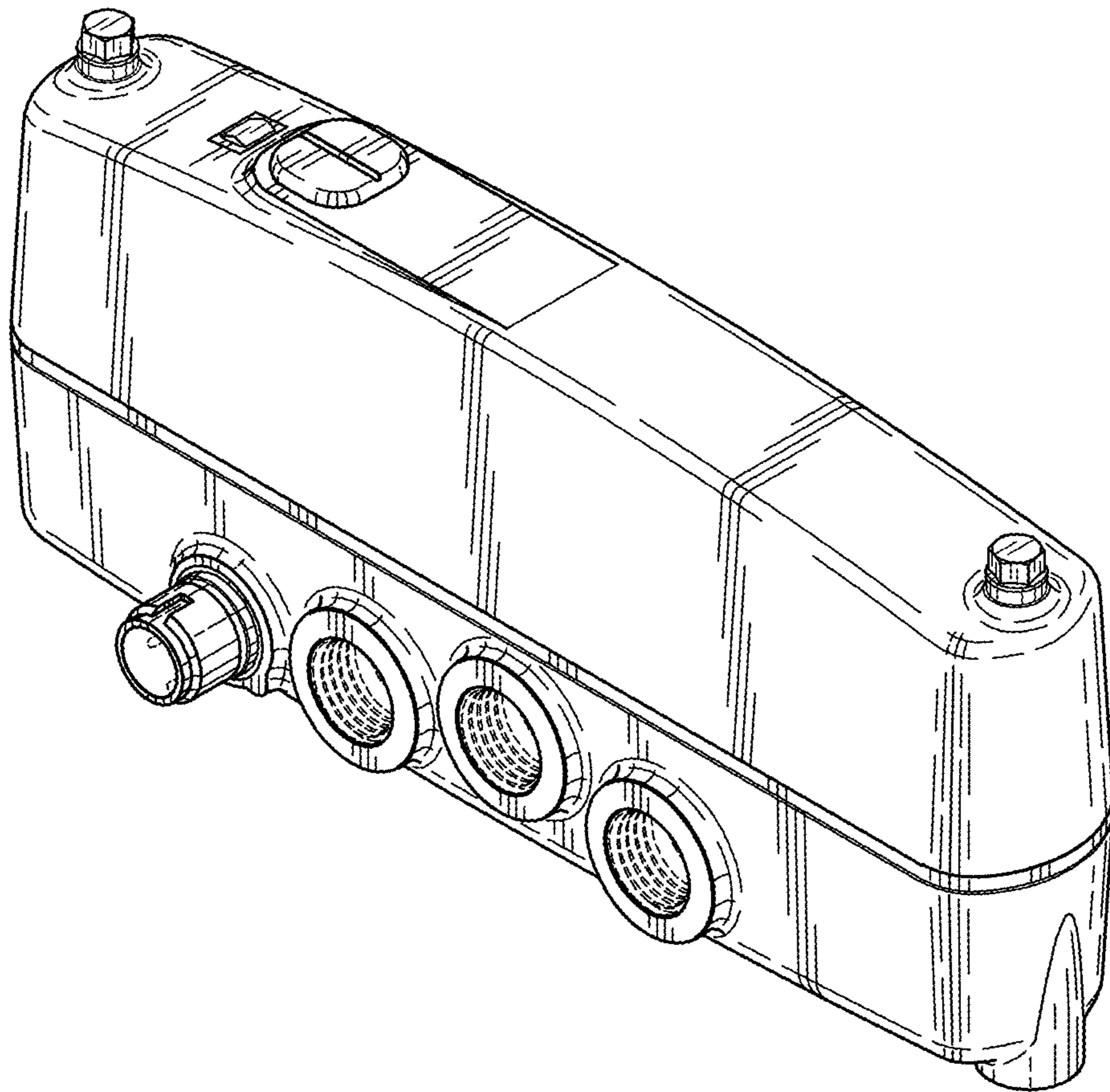


FIG. 1

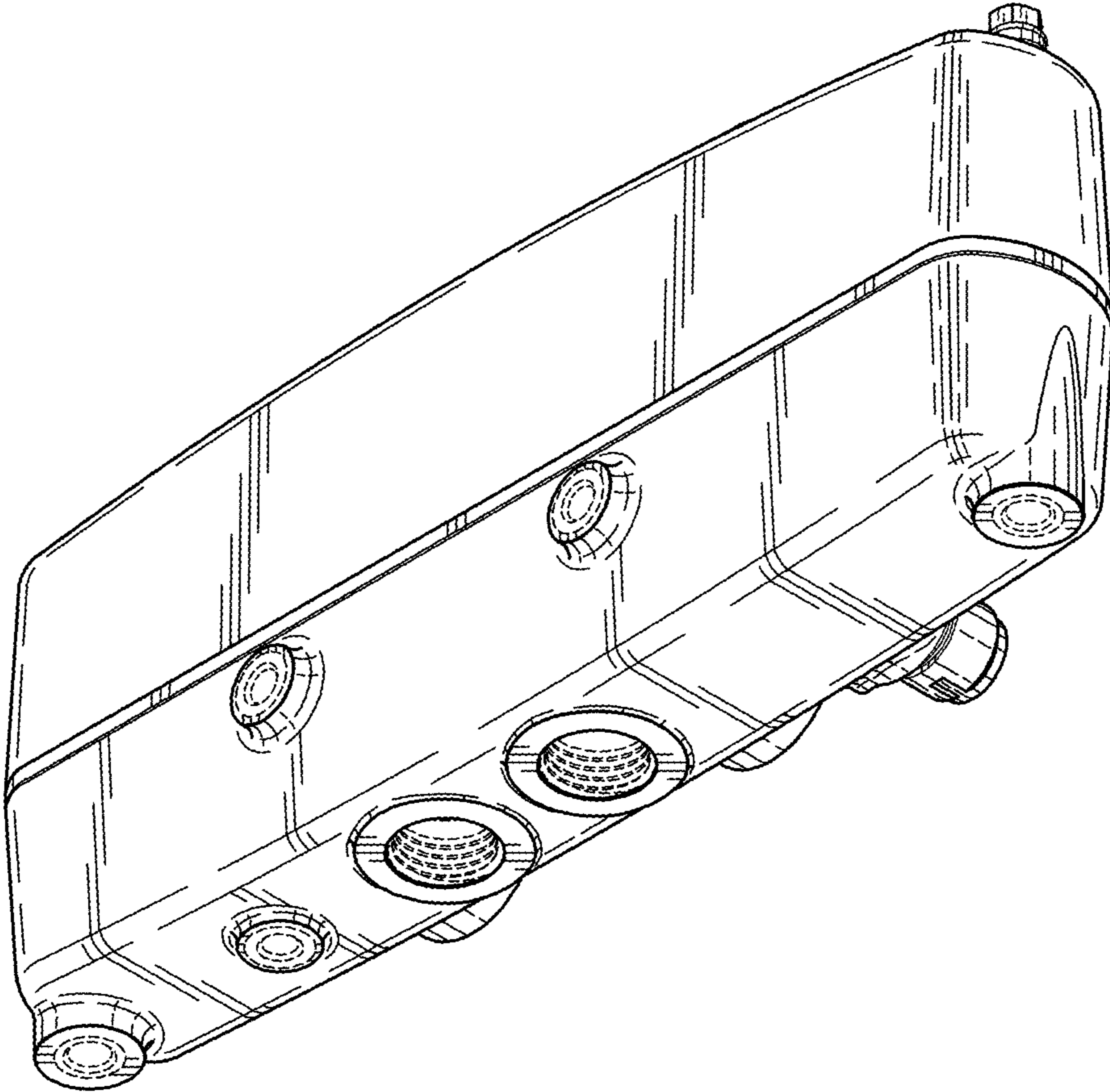


FIG. 2

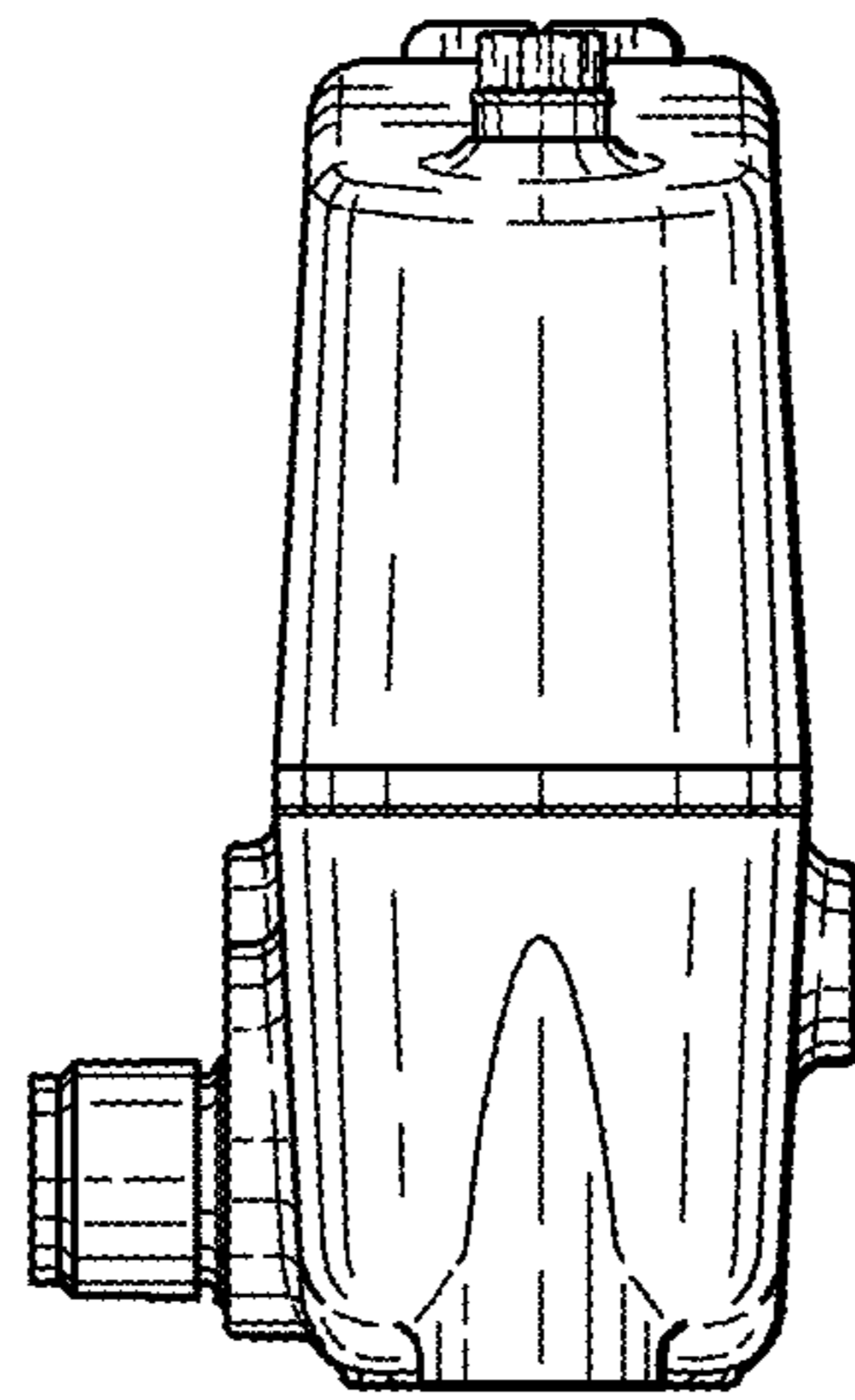


FIG. 3

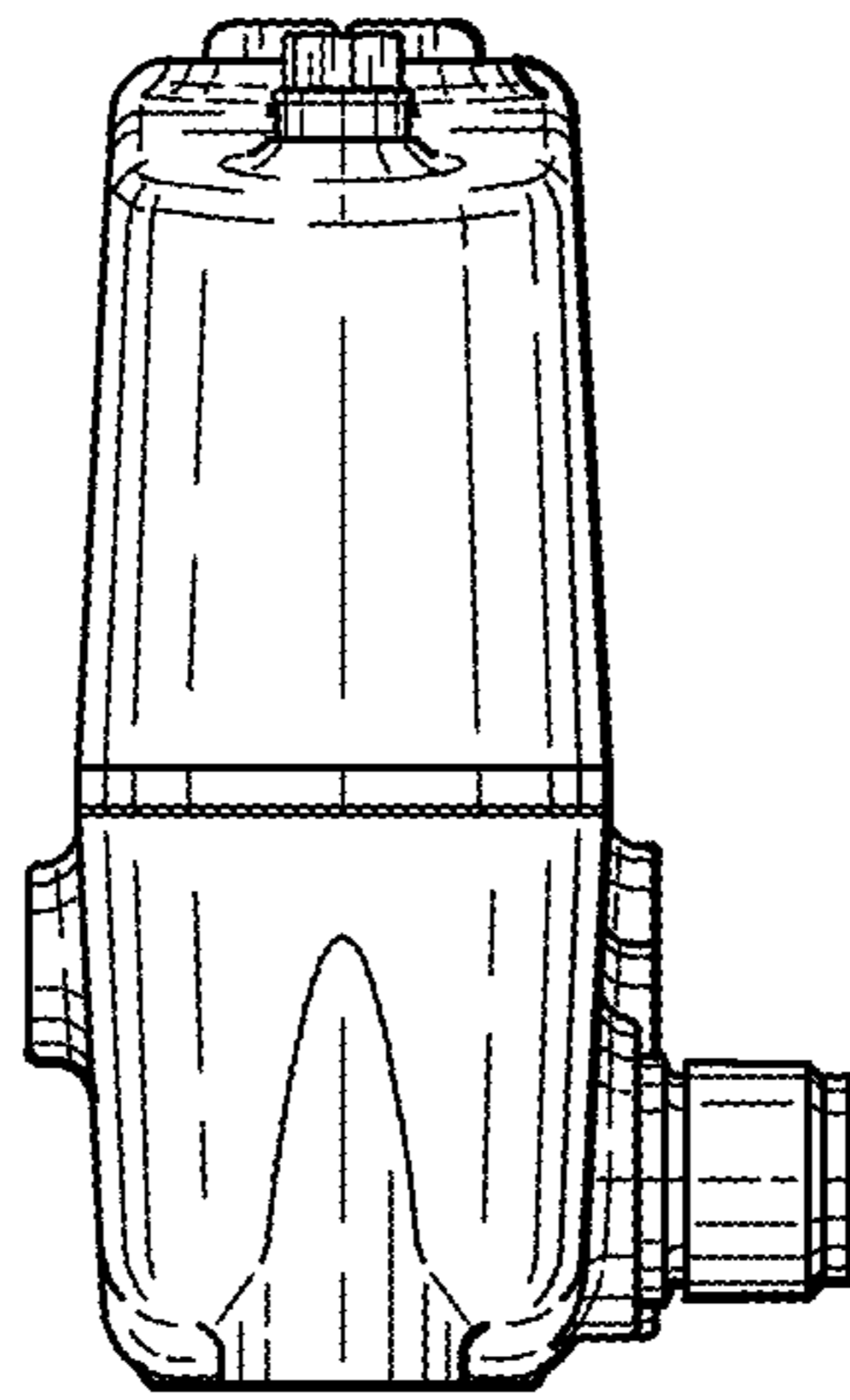


FIG. 4

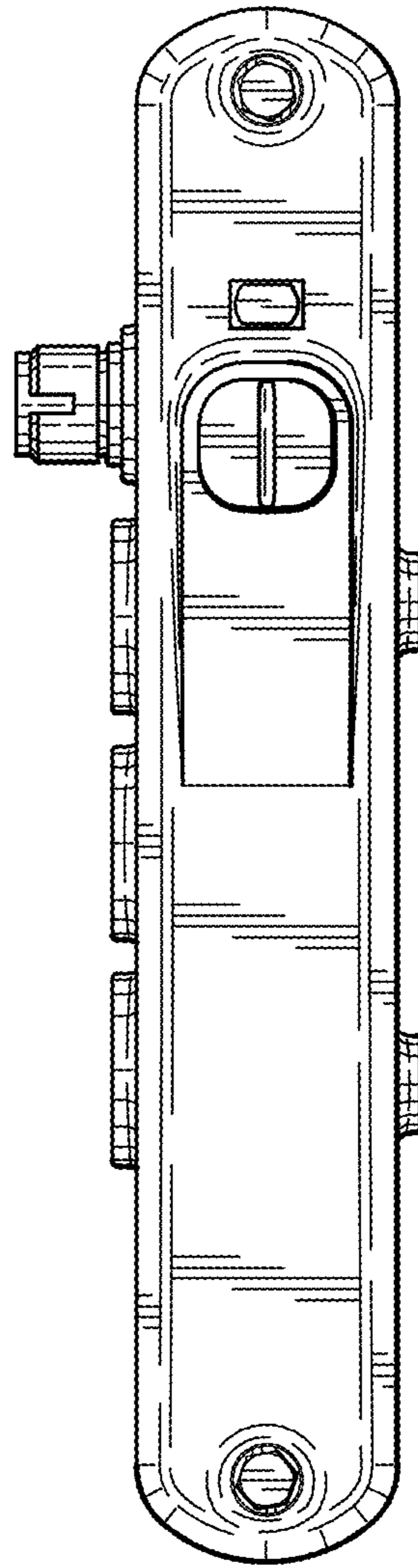


FIG. 5

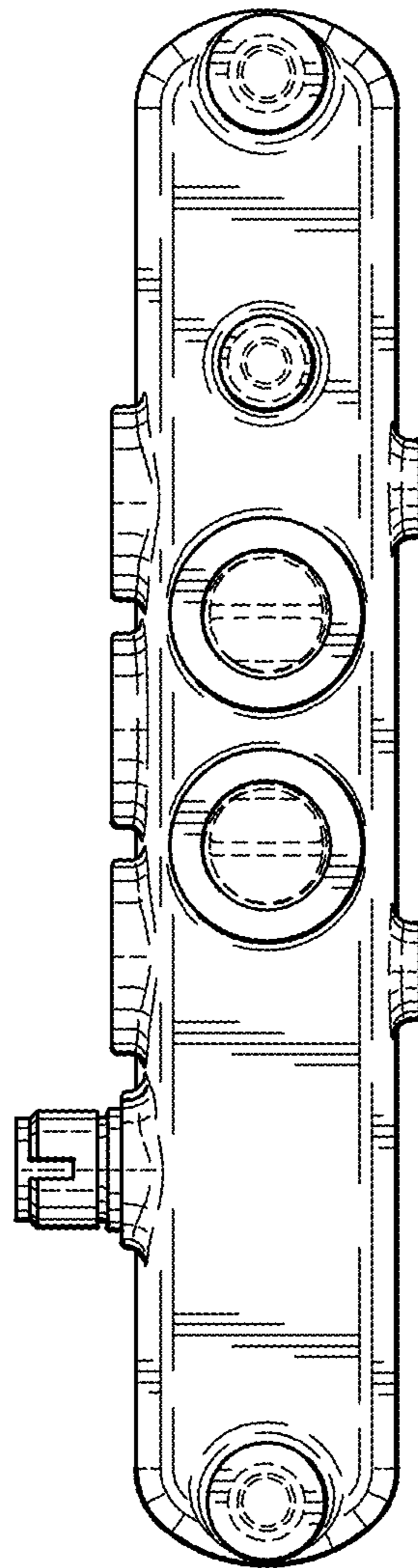


FIG. 6

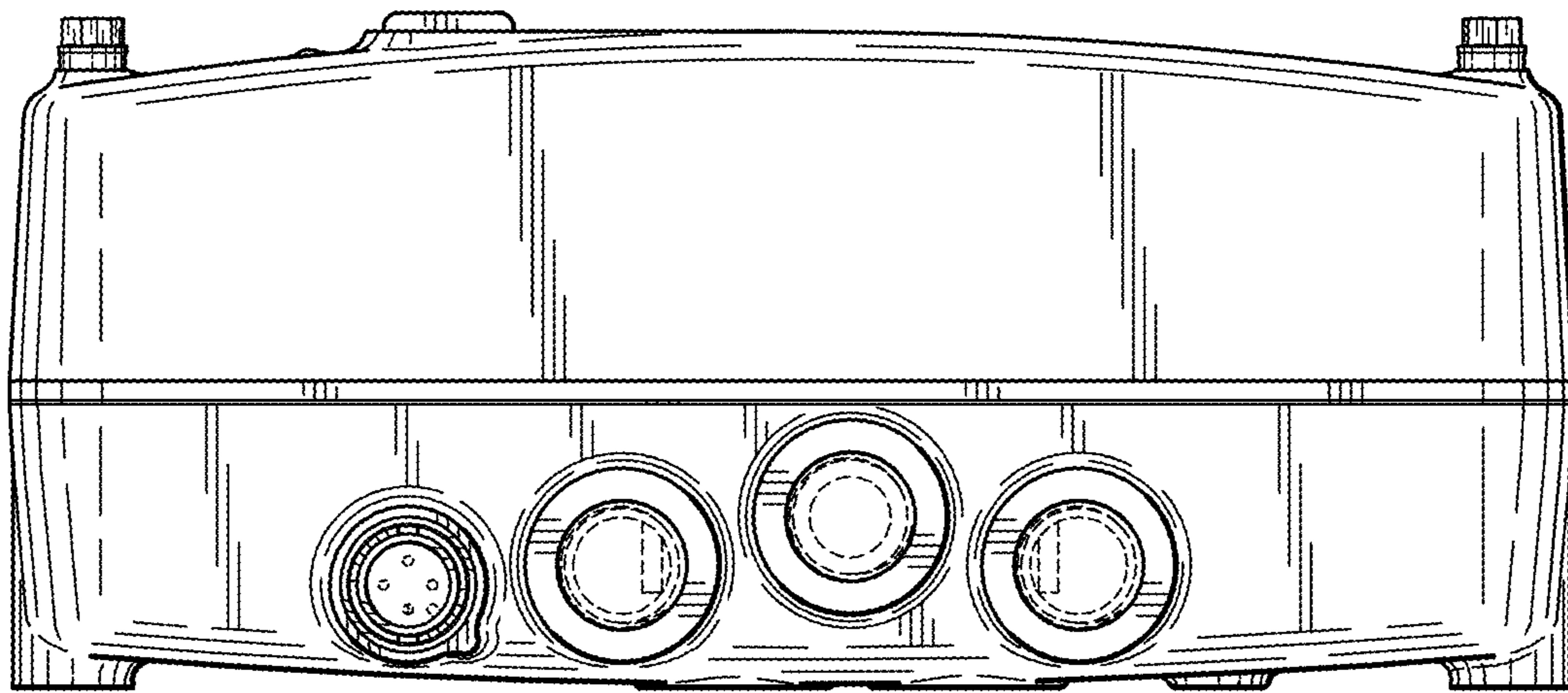


FIG. 7

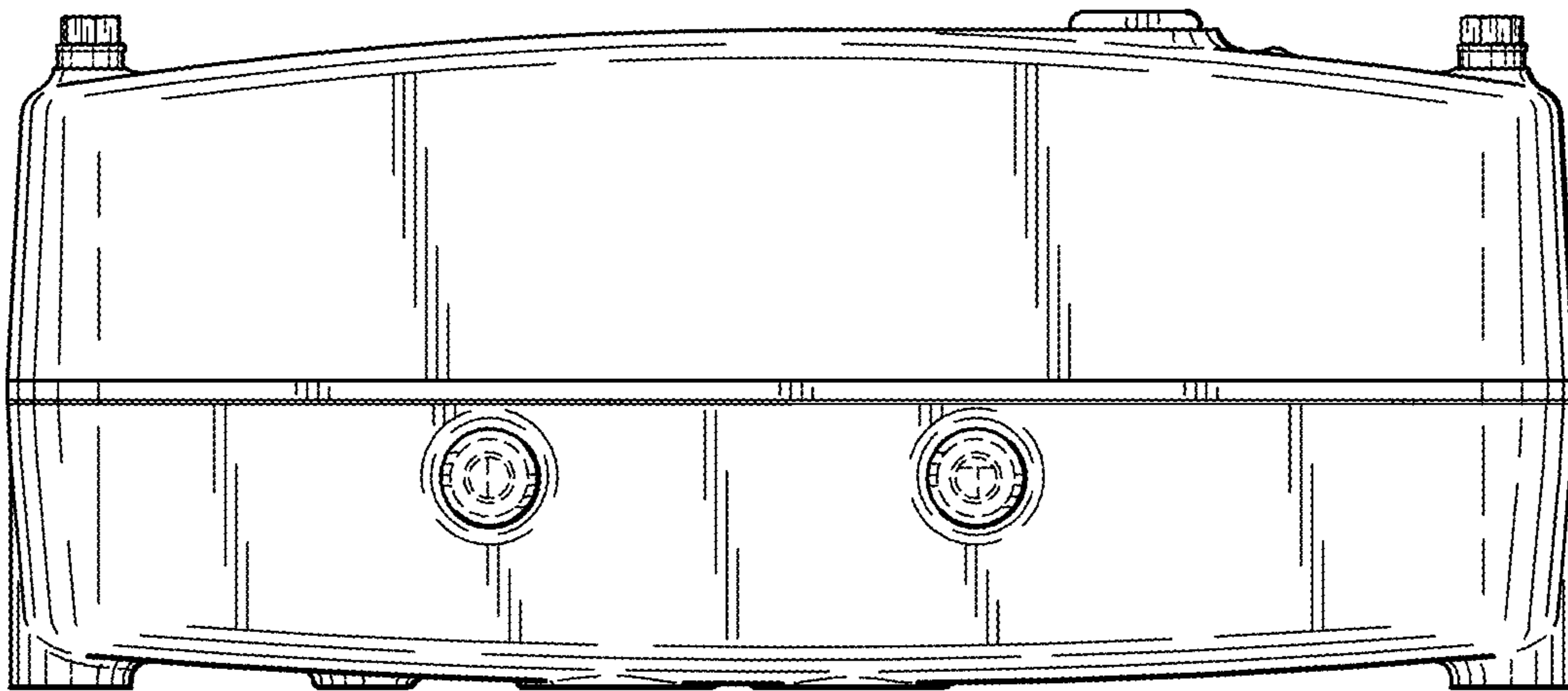


FIG. 8