



US00D972687S

(12) **United States Design Patent**
Hara

(10) **Patent No.:** **US D972,687 S**

(45) **Date of Patent:** **** *Dec. 13, 2022**

- (54) **ELECTROMAGNETIC VALVE**
- (71) Applicant: **SMC CORPORATION**, Tokyo (JP)
- (72) Inventor: **Yusuke Hara**, Tsukuba (JP)
- (73) Assignee: **SMC CORPORATION**, Tokyo (JP)
- (*) Notice: This patent is subject to a terminal disclaimer.
- (**) Term: **15 Years**
- (21) Appl. No.: **29/768,941**
- (22) Filed: **Feb. 2, 2021**

- (30) **Foreign Application Priority Data**
- Sep. 7, 2020 (JP) 2020-019018 D
- (51) **LOC (13) Cl.** **23-01**
- (52) **U.S. Cl.**
- USPC **D23/233**
- (58) **Field of Classification Search**
- USPC D23/233, 235, 249
- CPC F16K 11/24; F16K 27/0263; F16K 27/029;
F16K 27/048; F16K 31/0675; F16K
31/082; F02M 63/0017; F02M 51/061
- See application file for complete search history.

- (56) **References Cited**
- U.S. PATENT DOCUMENTS**
- D653,308 S * 1/2012 Senba D23/233
- D909,536 S * 2/2021 Yoshimura D23/233
- D909,537 S * 2/2021 Yoshimura D23/233
- D909,538 S * 2/2021 Yoshimura D23/233

- D910,147 S * 2/2021 Yoshimura D23/233
- D910,148 S * 2/2021 Yoshimura D23/233
- D911,491 S * 2/2021 Sumiyoshi D23/233
- D923,144 S * 6/2021 Sumiyoshi D23/233
- D934,995 S * 11/2021 Mita D23/233
- D935,560 S * 11/2021 Mita D23/233
- D946,712 S * 3/2022 Yoshimura D23/233
- 2012/0298237 A1 * 11/2012 Nalgirkar F16K 27/041
251/118
- 2018/0128385 A1 * 5/2018 Itoh F16K 31/426
- 2020/0309279 A1 * 10/2020 Miyazoe F16K 27/003
- 2020/0318753 A1 * 10/2020 Ito F16K 3/26
- 2020/0326012 A1 * 10/2020 Nak F16K 27/029

* cited by examiner

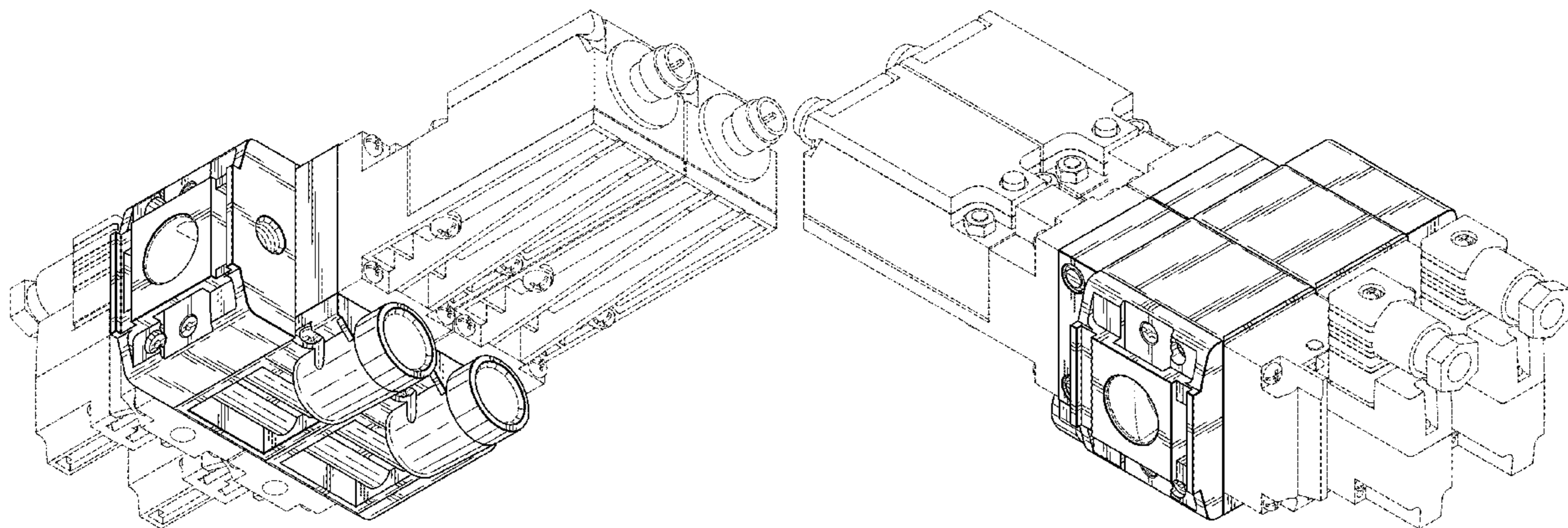
Primary Examiner — Selina Sikder
(74) *Attorney, Agent, or Firm* — Oblon, McClelland,
Maier & Neustadt, L.L.P.

(57) **CLAIM**
The ornamental design for an electromagnetic valve, as shown and described.

DESCRIPTION

FIG. 1 is a front, bottom, and right side perspective view of an electromagnetic valve showing the new design.
FIG. 2 is a rear, top, and left side perspective view thereof.
FIG. 3 is a front elevational view thereof.
FIG. 4 is a rear elevational view thereof.
FIG. 5 is a top plan view thereof.
FIG. 6 is a bottom plan view thereof.
FIG. 7 is a left side elevational view thereof; and,
FIG. 8 is a right side elevational view thereof.
The broken lines depict portions of the electromagnetic valve that form no part of the claimed design.

1 Claim, 8 Drawing Sheets



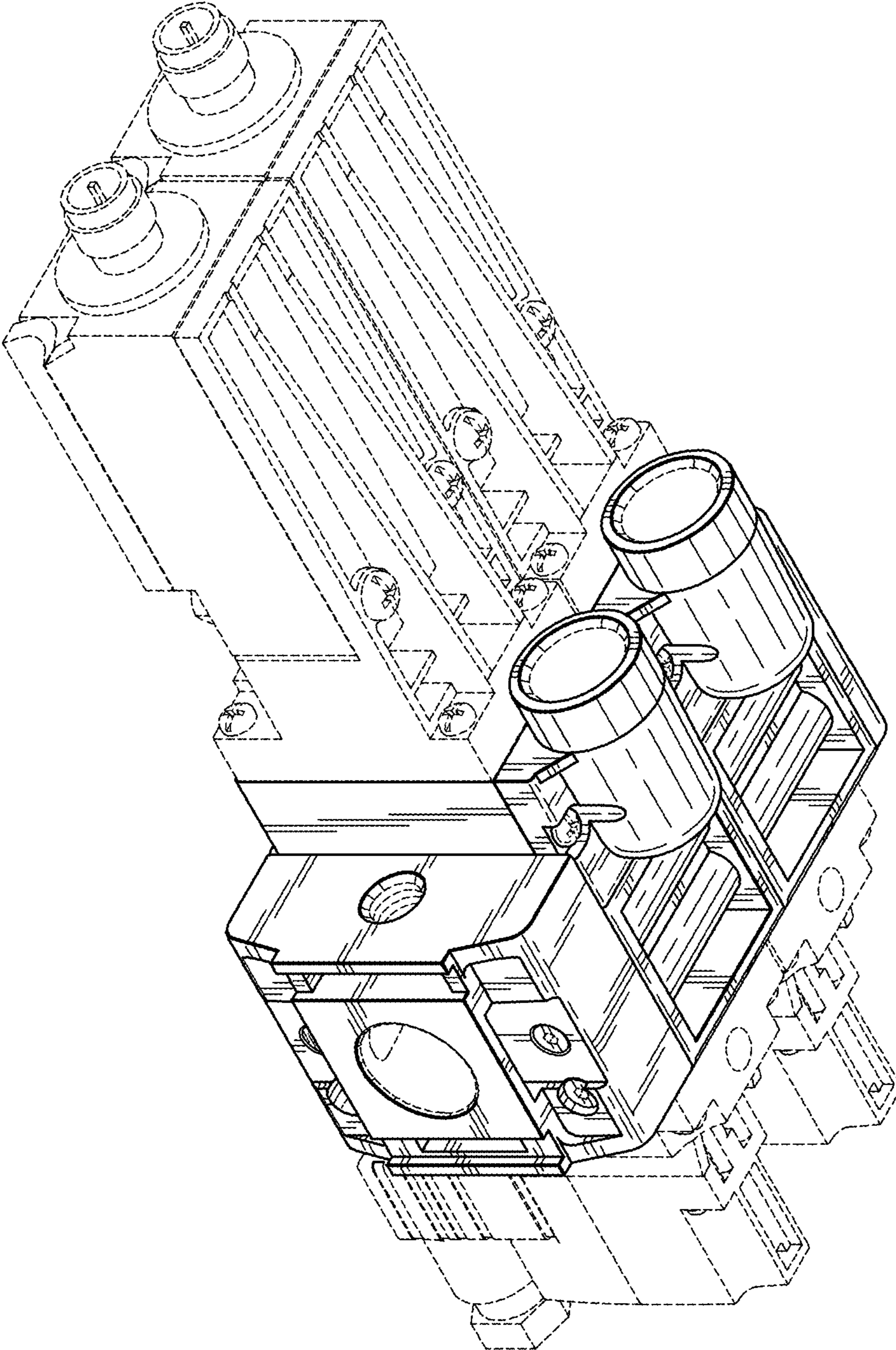


FIG. 1

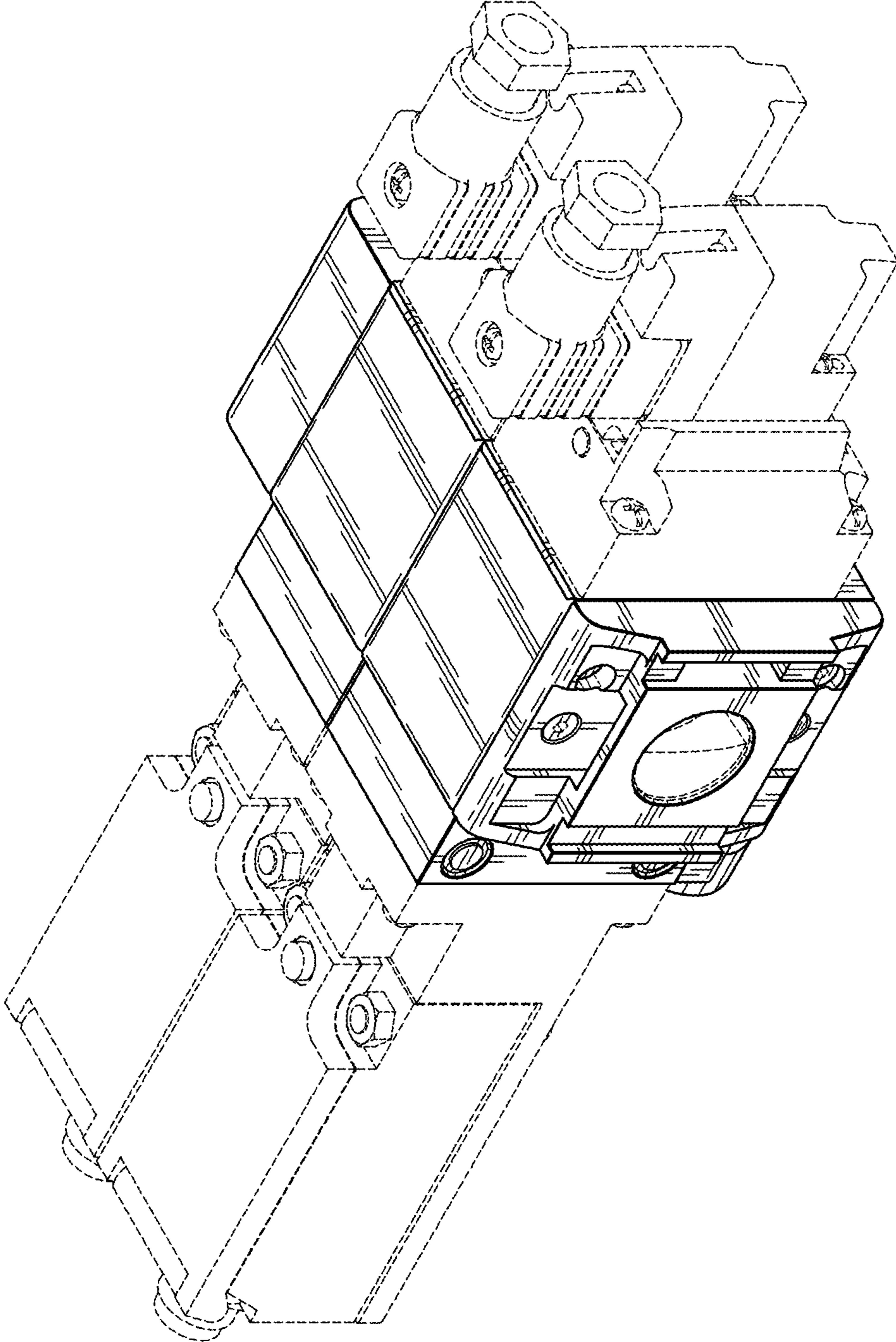


FIG. 2

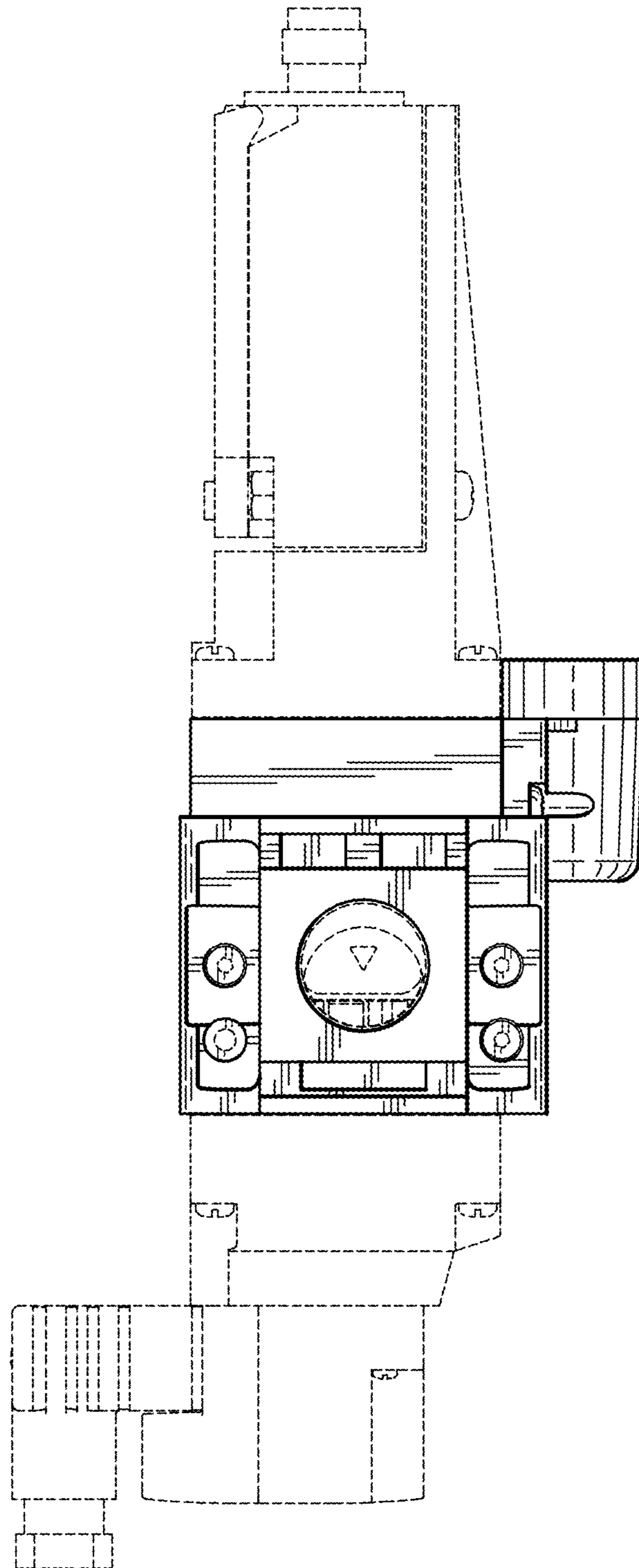


FIG. 3

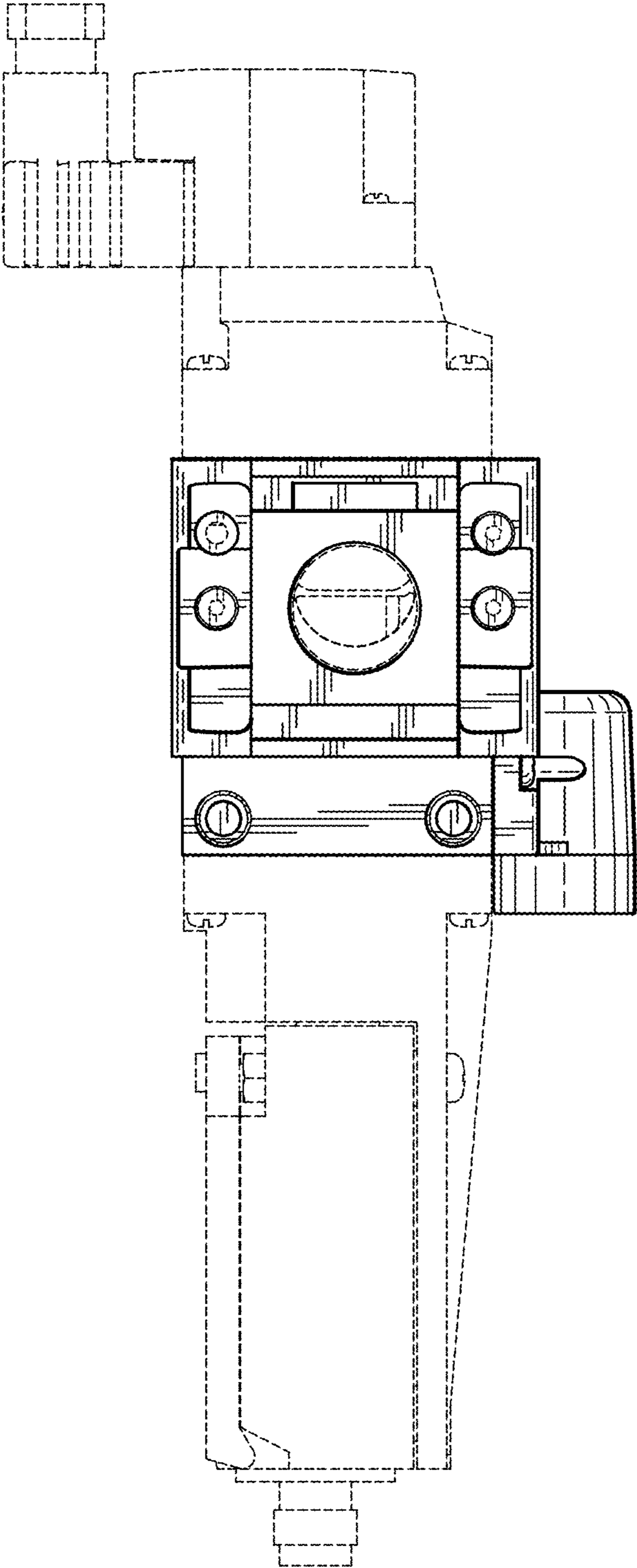


FIG. 4

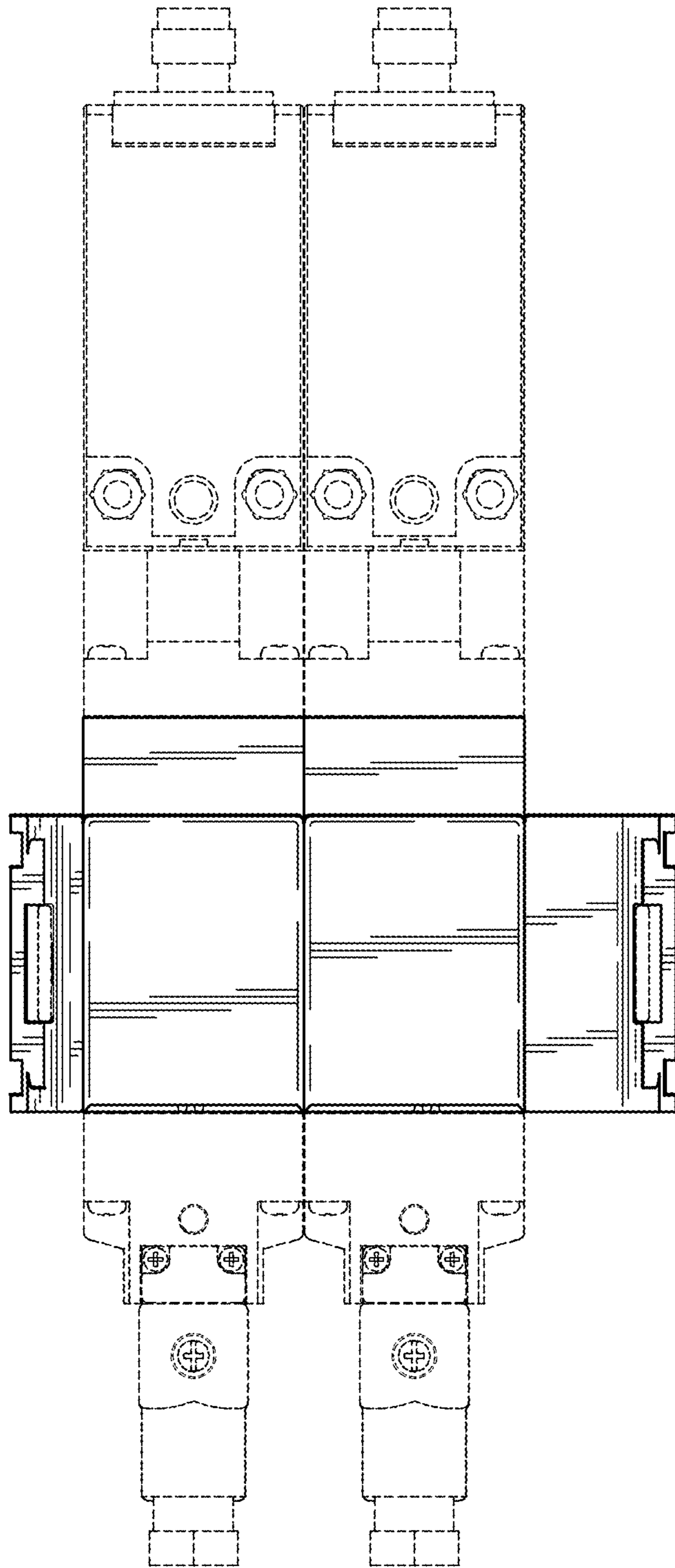


FIG. 5

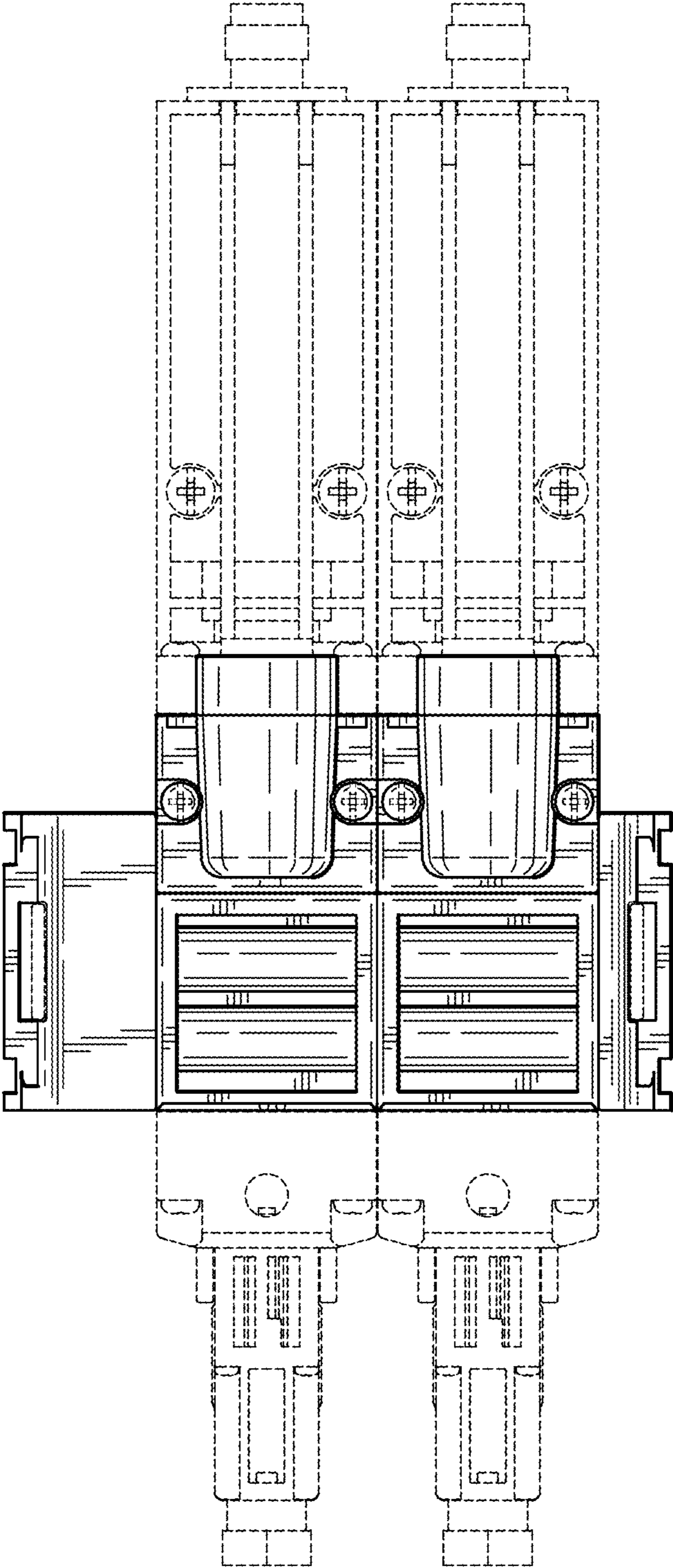


FIG. 6

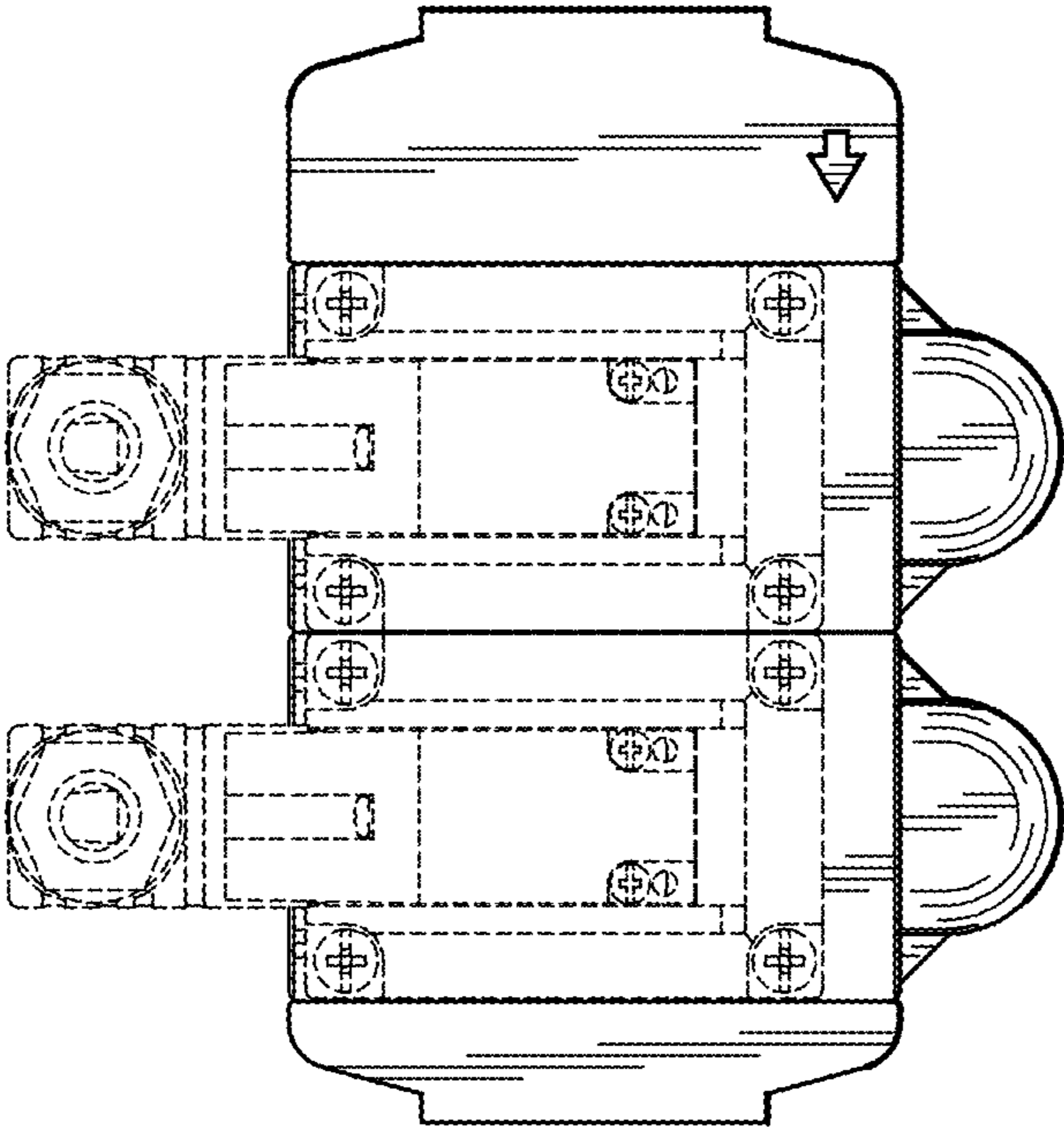


FIG. 7

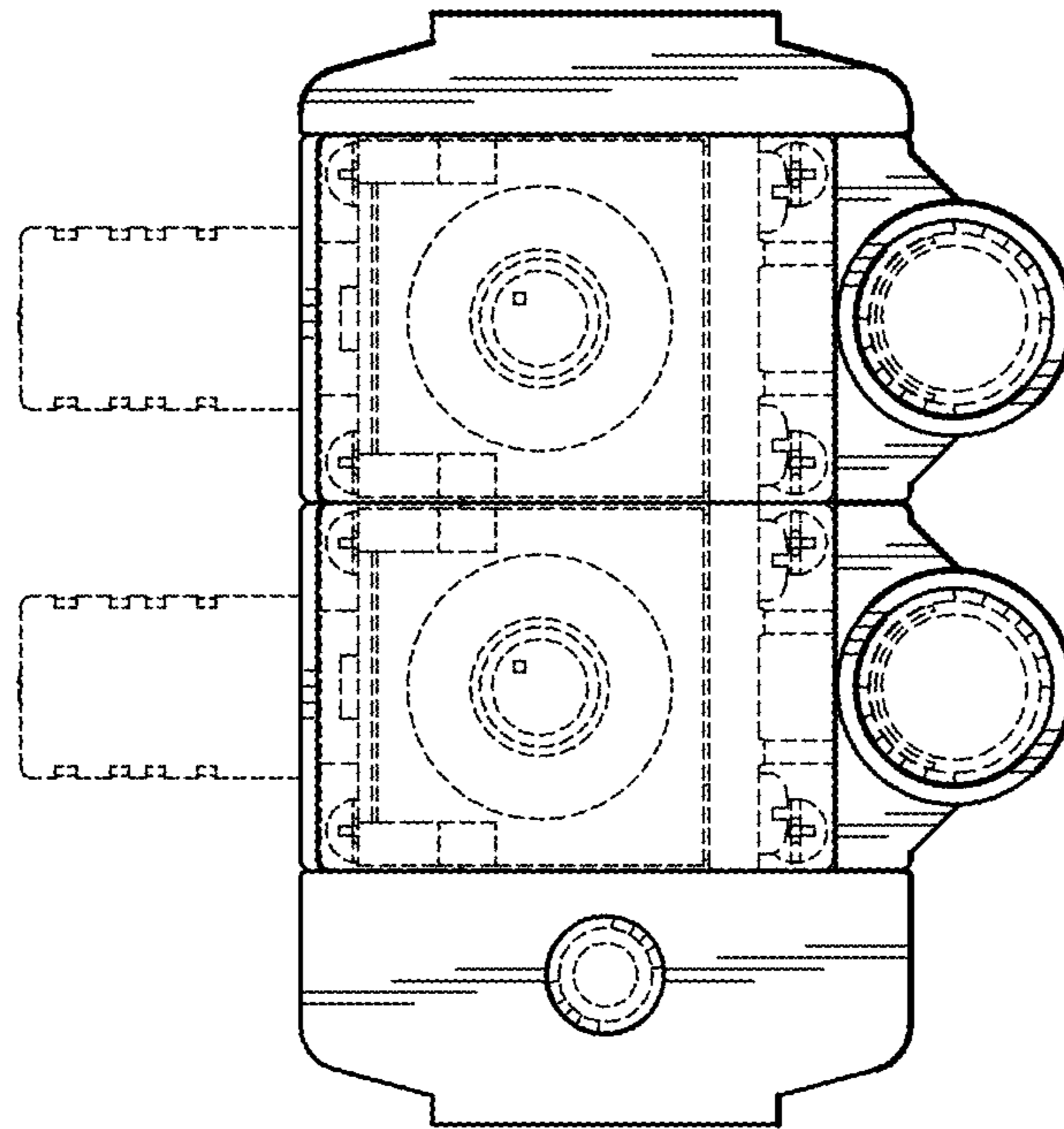


FIG. 8