



US00D972686S

(12) **United States Design Patent**  
**Suzuki**

(10) **Patent No.:** **US D972,686 S**

(45) **Date of Patent:** **\*\* \*Dec. 13, 2022**

(54) **ELECTROMAGNETIC VALVE**

(71) Applicant: **SMC CORPORATION**, Tokyo (JP)

(72) Inventor: **Hironobu Suzuki**, Tsukubamirai (JP)

(73) Assignee: **SMC CORPORATION**, Tokyo (JP)

(\*) Notice: This patent is subject to a terminal disclaimer.

(\*\*) Term: **15 Years**

(21) Appl. No.: **29/768,935**

(22) Filed: **Feb. 2, 2021**

(30) **Foreign Application Priority Data**

Sep. 7, 2020 (JP) ..... 2020-019021 D

(51) **LOC (13) Cl.** ..... **23-01**

(52) **U.S. Cl.**  
USPC ..... **D23/233**

(58) **Field of Classification Search**  
USPC ..... D23/233, 235, 249  
CPC .... F16K 11/24; F16K 27/0263; F16K 27/029;  
F16K 27/048; F16K 31/0675; F16K  
31/082; F02M 63/0017; F02M 51/061  
See application file for complete search history.

(56) **References Cited**

**U.S. PATENT DOCUMENTS**

D653,308 S \* 1/2012 Senba ..... D23/233  
D909,536 S \* 2/2021 Yoshimura ..... D23/233  
D909,537 S \* 2/2021 Yoshimura ..... D23/233  
D909,538 S \* 2/2021 Yoshimura ..... D23/233

D910,147 S \* 2/2021 Yoshimura ..... D23/233  
D910,148 S \* 2/2021 Yoshimura ..... D23/233  
D911,491 S \* 2/2021 Sumiyoshi ..... D23/233  
D923,144 S \* 6/2021 Sumiyoshi ..... D23/233  
D934,995 S \* 11/2021 Mita ..... D23/233  
D935,560 S \* 11/2021 Mita ..... D23/233  
D946,712 S \* 3/2022 Yoshimura ..... D23/233  
2012/0298237 A1 \* 11/2012 Nalgirkar ..... F16K 27/041  
251/118  
2018/0128385 A1 \* 5/2018 Itoh ..... F16K 31/426  
2020/0309279 A1 \* 10/2020 Miyazoe ..... F16K 27/003  
2020/0318753 A1 \* 10/2020 Ito ..... F16K 3/26  
2020/0326012 A1 \* 10/2020 Nak ..... F16K 27/029

\* cited by examiner

*Primary Examiner* — Selina Sikder

(74) *Attorney, Agent, or Firm* — Oblon, McClelland,  
Maier & Neustadt, L.L.P.

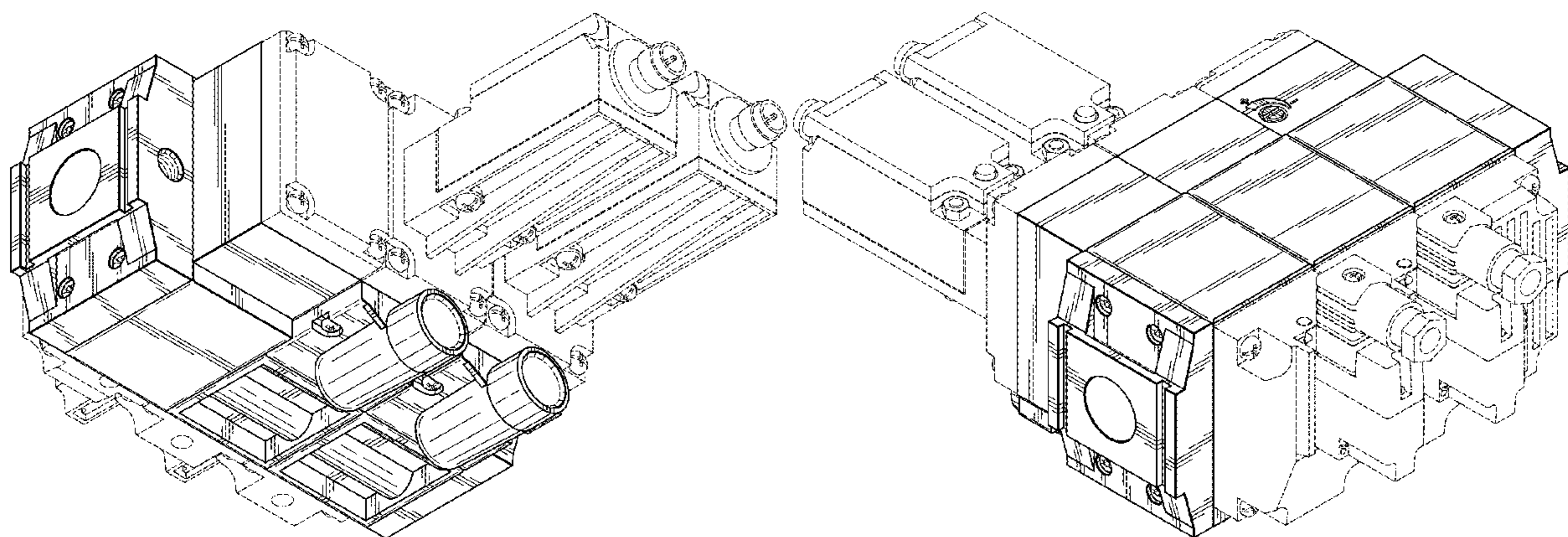
(57) **CLAIM**

The ornamental design for an electromagnetic valve, as shown and described.

**DESCRIPTION**

FIG. 1 is a front, bottom, and right side perspective view of an electromagnetic valve showing the new design.  
FIG. 2 is a rear, top, and left side perspective view thereof.  
FIG. 3 is a front elevational view thereof.  
FIG. 4 is a rear elevational view thereof.  
FIG. 5 is a top plan view thereof.  
FIG. 6 is a bottom plan view thereof.  
FIG. 7 is a left side elevational view thereof; and,  
FIG. 8 is a right side elevational view thereof.  
The broken lines depict portions of the electromagnetic valve that form no part of the claimed design.

**1 Claim, 8 Drawing Sheets**



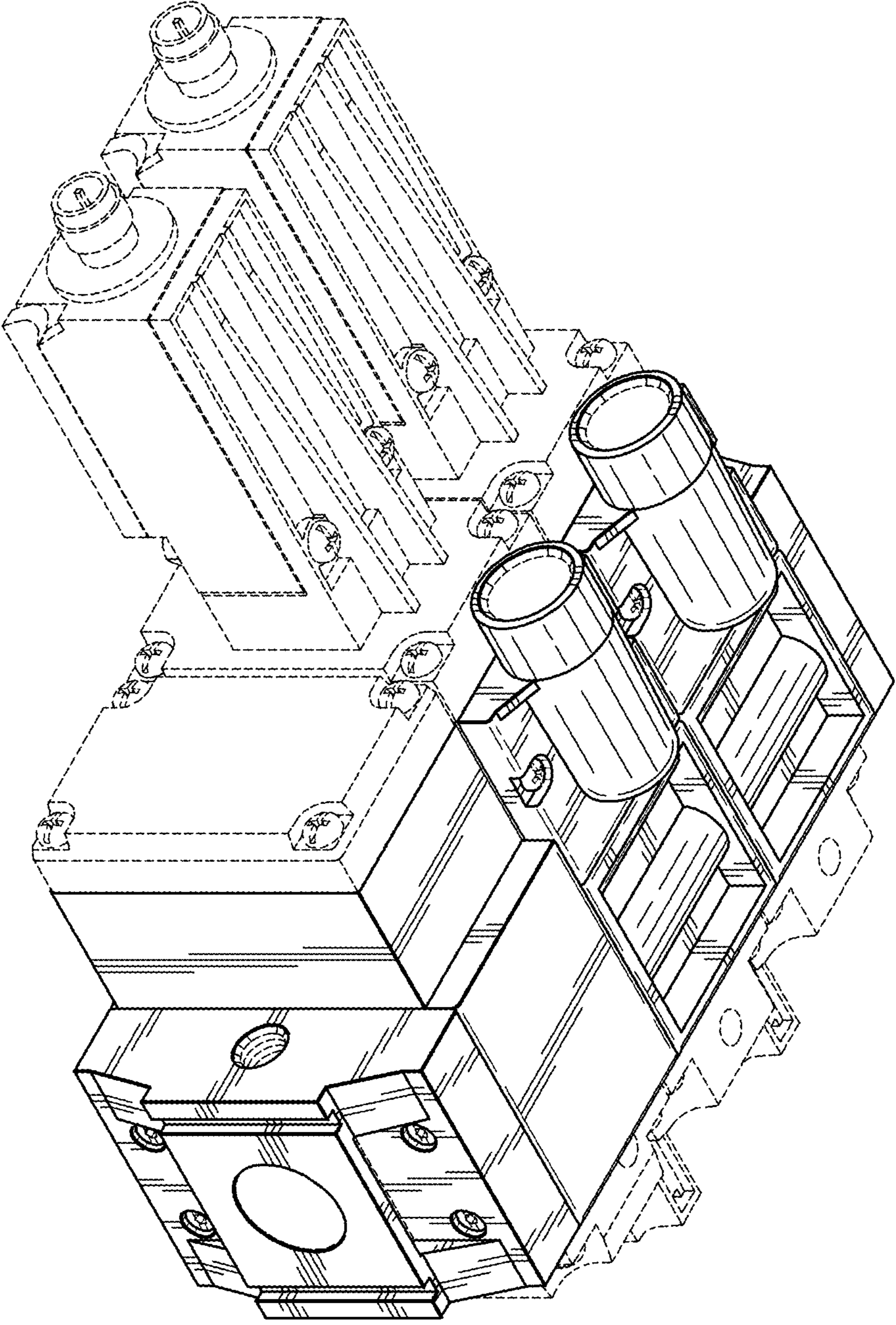
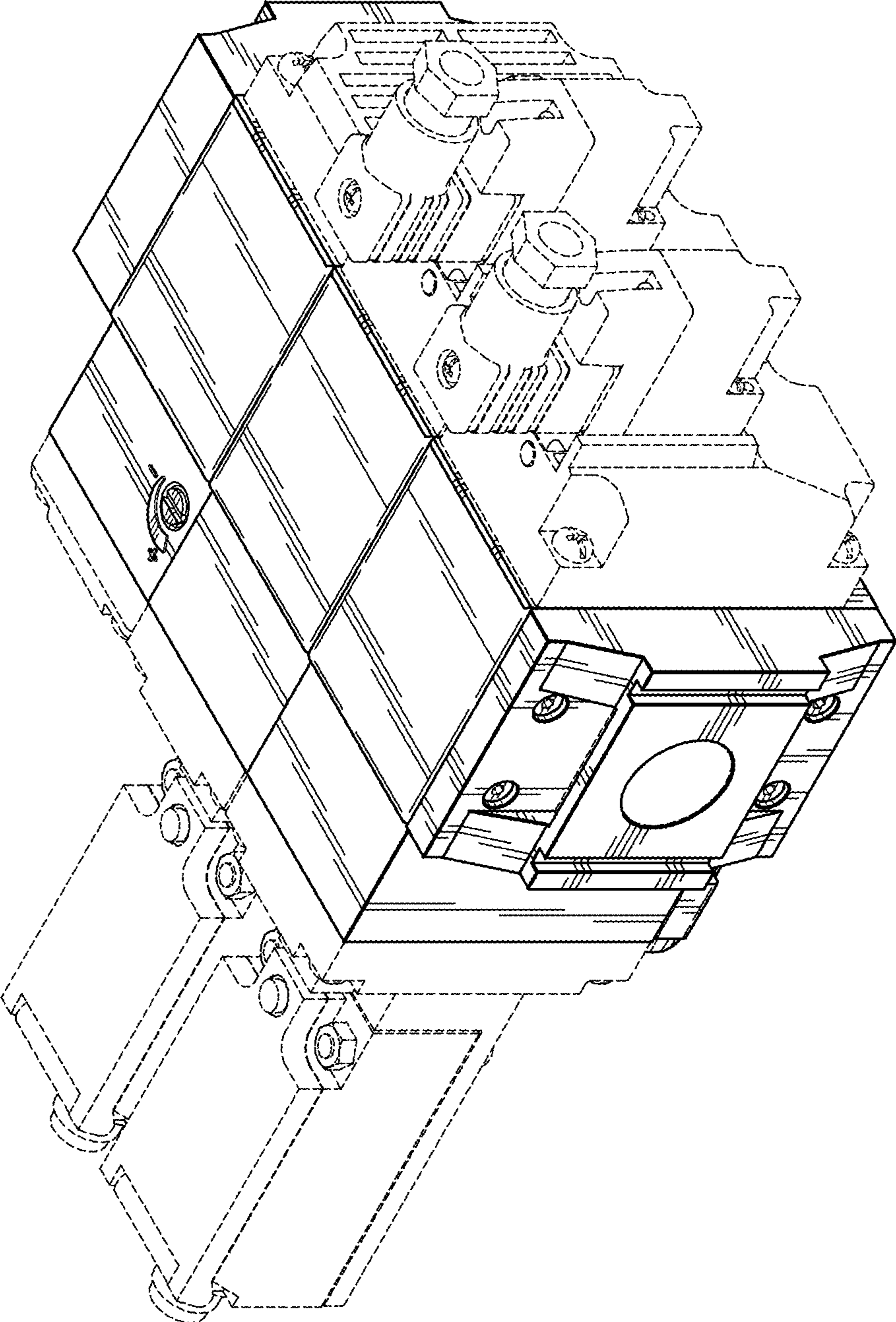


FIG. 1

FIG. 2



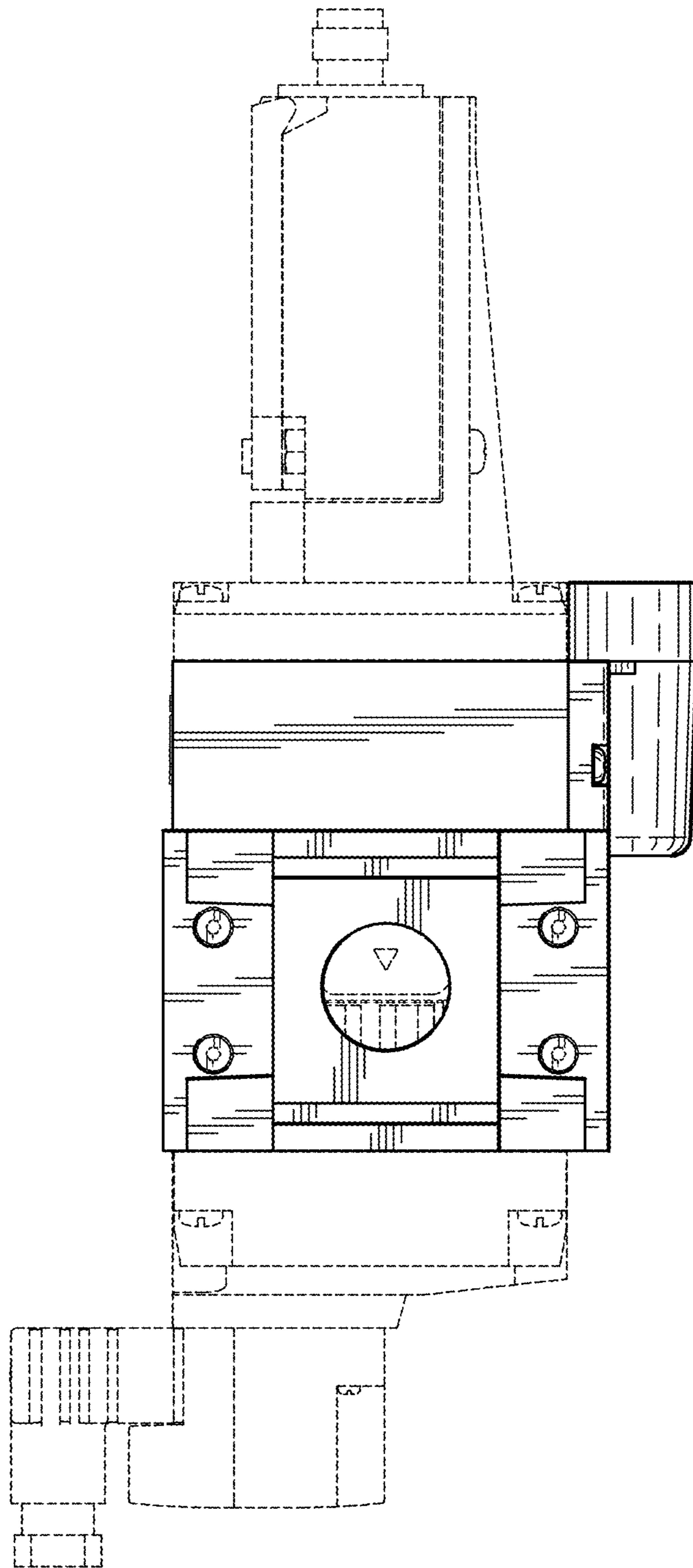


FIG. 3

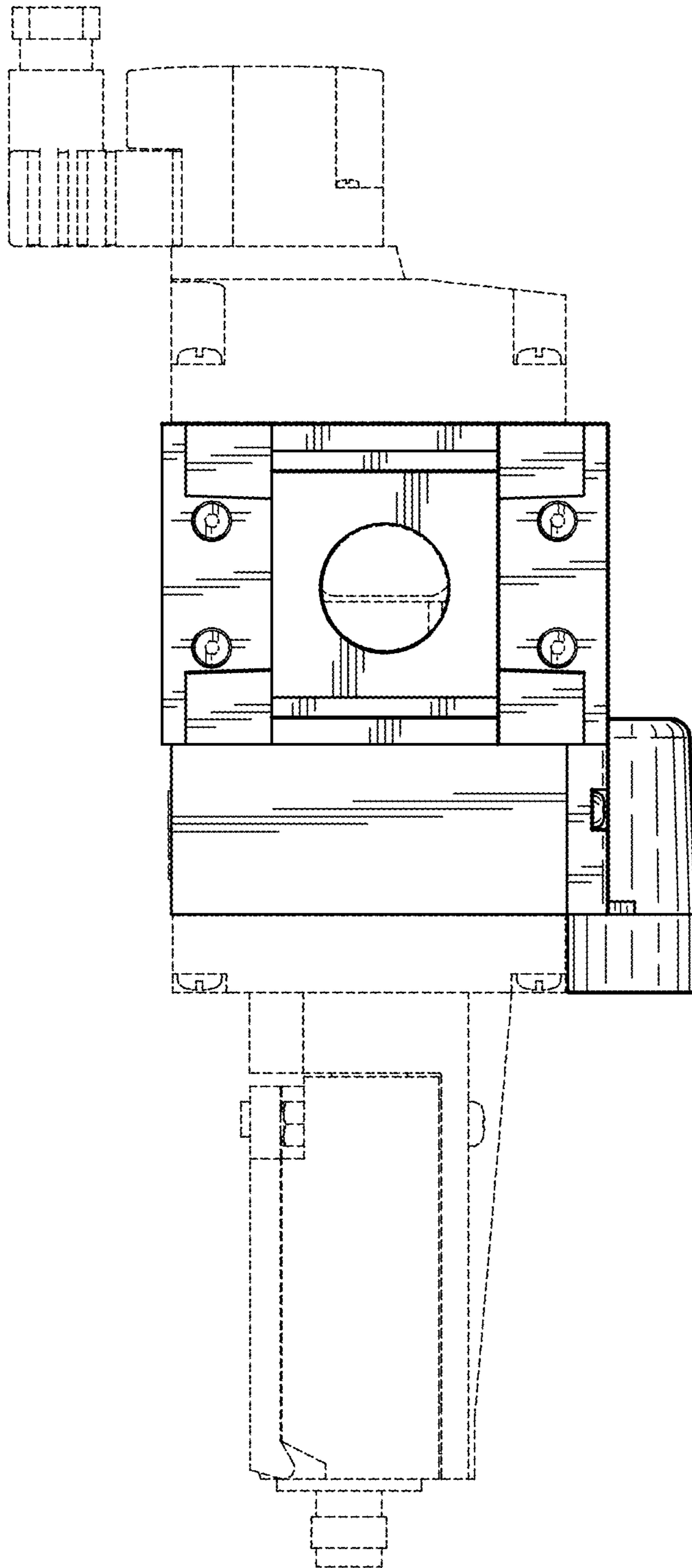


FIG. 4

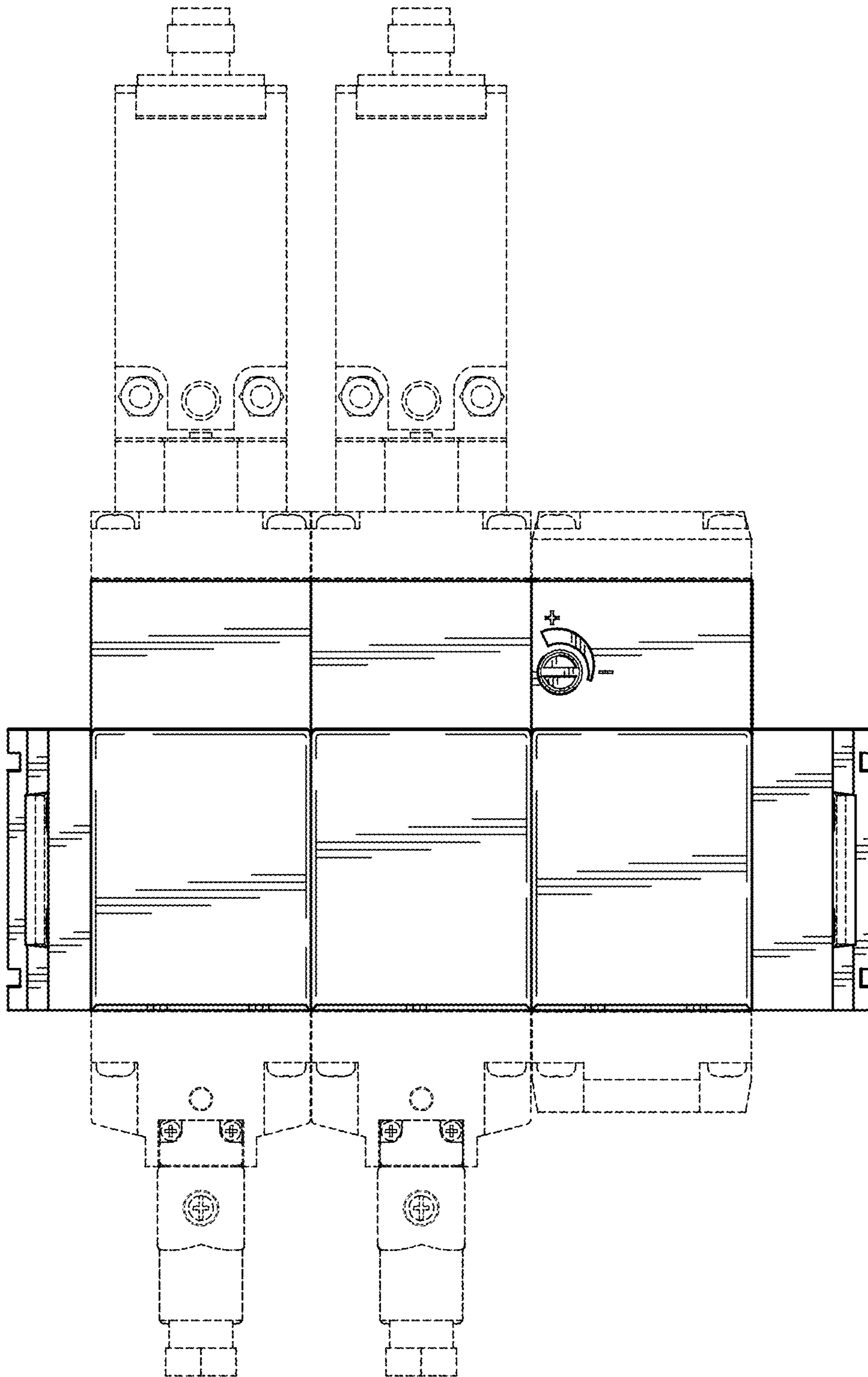


FIG. 5

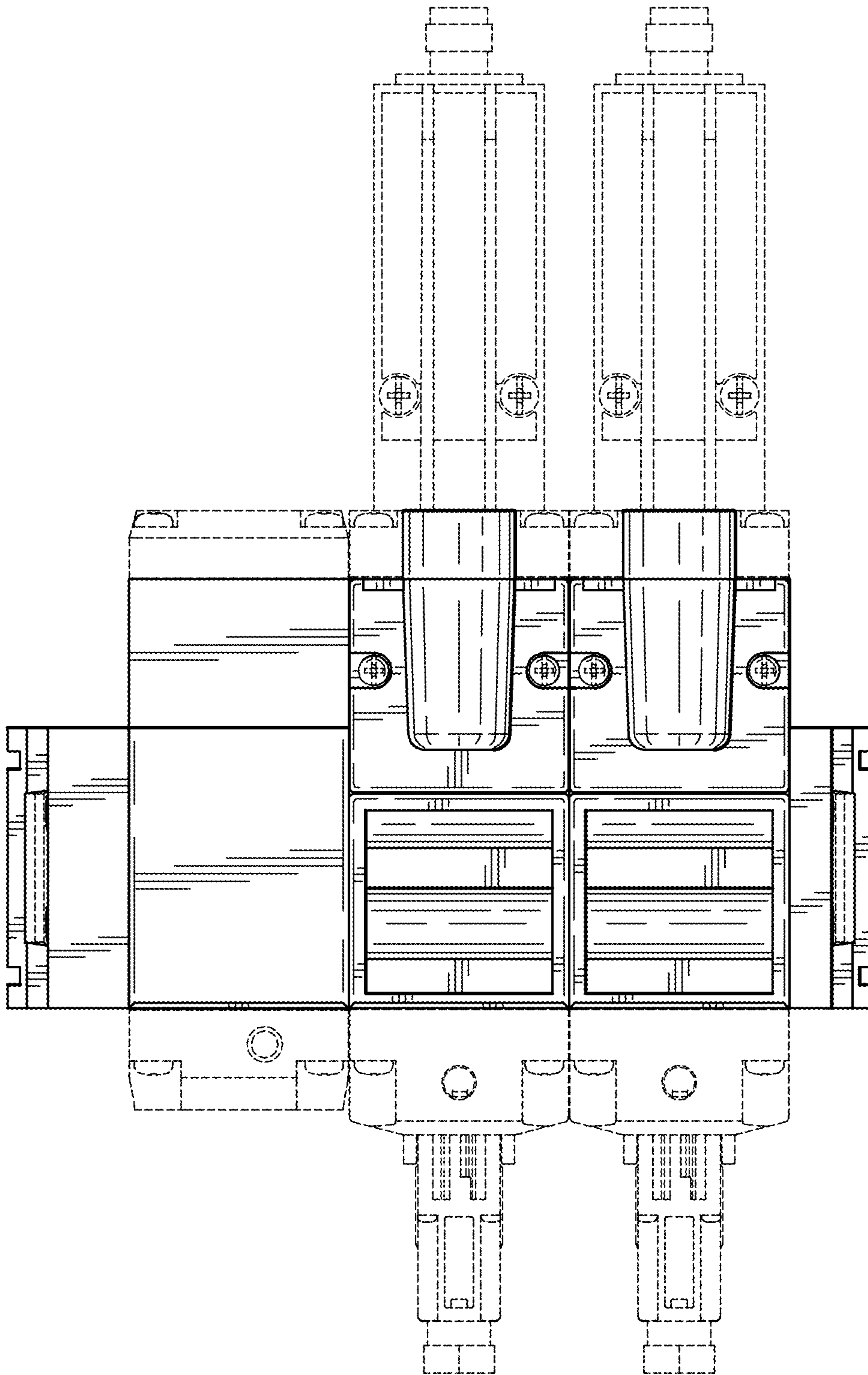


FIG. 6

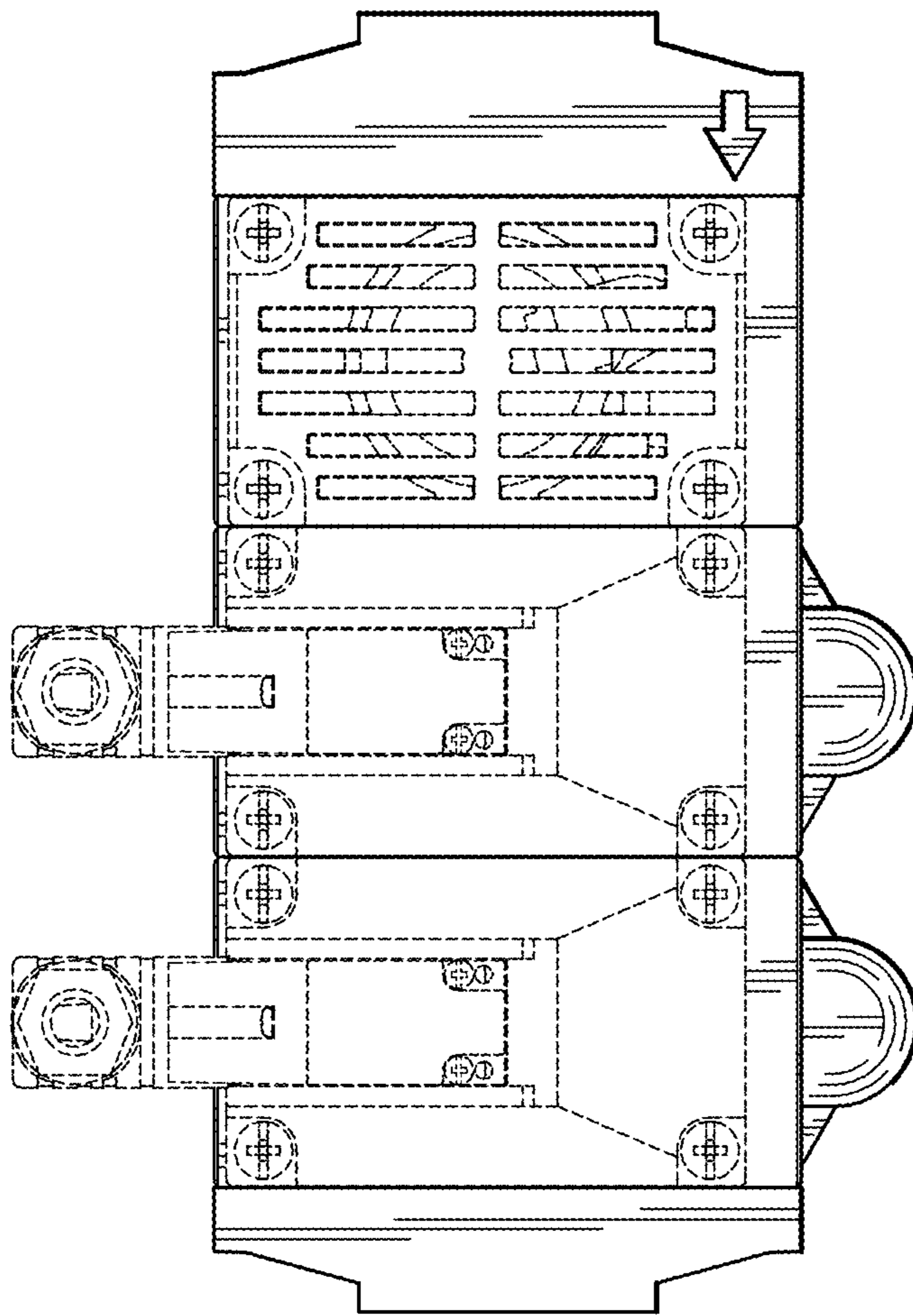


FIG. 7



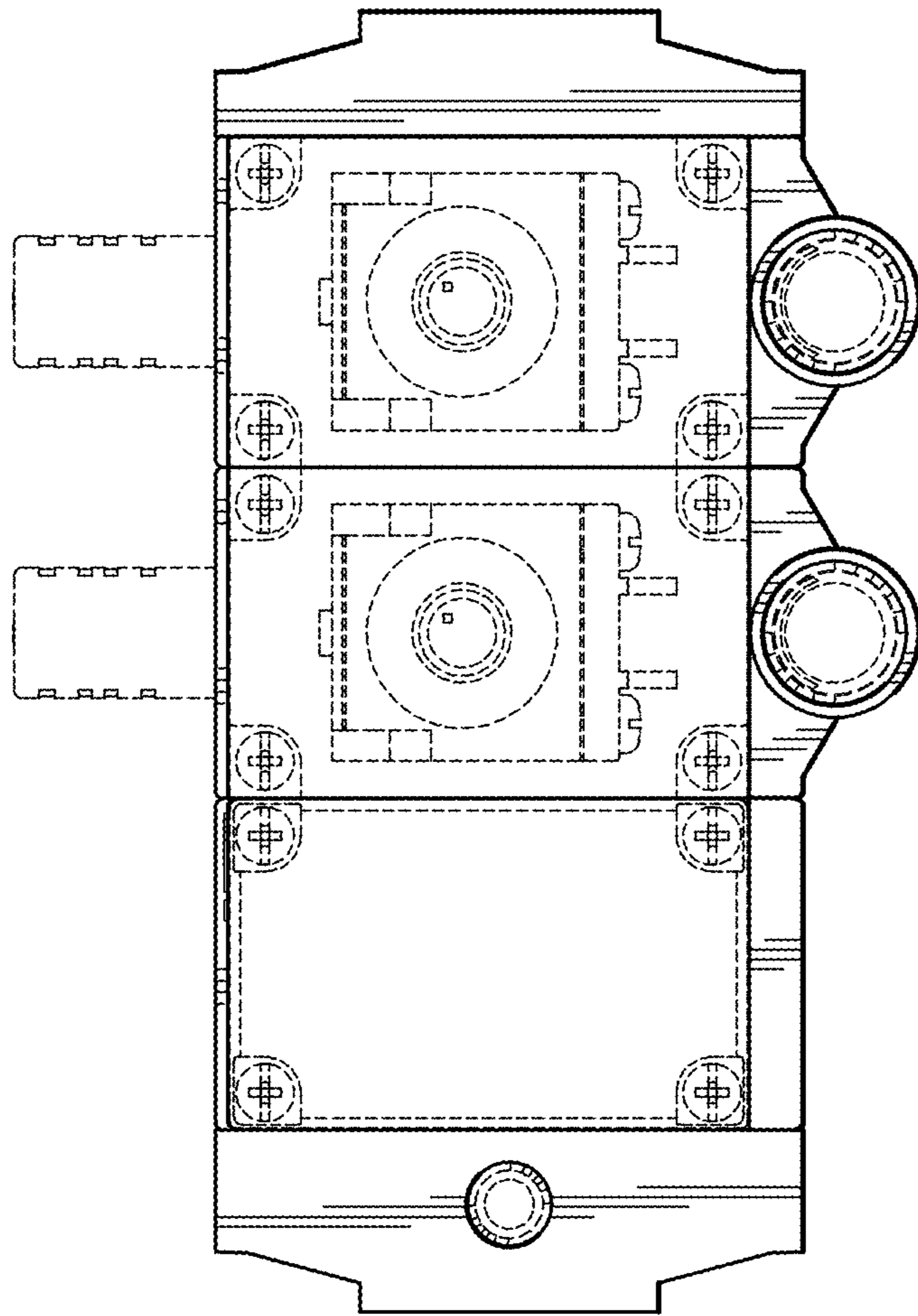


FIG. 8