



US00D972685S

(12) **United States Design Patent** (10) **Patent No.:** **US D972,685 S**  
**Pieroni** (45) **Date of Patent:** **\*\* \*Dec. 13, 2022**

(54) **NOZZLE HANDLE WITH A FLASHLIGHT**

(71) Applicant: **ECP Incorporated**, Woodridge, IL (US)

(72) Inventor: **Daniel P. Pieroni**, Naperville, IL (US)

(73) Assignee: **ECP Incorporated**, Woodridge, IL (US)

(\* ) Notice: This patent is subject to a terminal disclaimer.

(\*\*) Term: **15 Years**

(21) Appl. No.: **29/756,919**

(22) Filed: **Nov. 1, 2020**

(51) **LOC (13) Cl.** ..... **23-01**

(52) **U.S. Cl.**  
USPC ..... **D23/226**

(58) **Field of Classification Search**  
USPC ..... D23/213, 223, 225, 226; D3/217  
CPC ..... B05B 5/00; B05B 5/025; B05B 5/0255;  
B05B 5/03; B05B 5/16; B05B 5/1691;  
B05B 7/00; B05B 7/0018; B05B 7/02;  
B05B 7/129; B05B 7/24; B05B 7/2475;  
B05B 7/2491; B05B 9/00; B05B 9/01;  
B05B 9/03; B05B 9/08; B05B 9/085;  
B05B 9/0861; B05B 9/0883; B05B  
9/0888; B08B 3/026; A01M 7/0046  
See application file for complete search history.

(56) **References Cited**

U.S. PATENT DOCUMENTS

D133,395 S \* 8/1942 Tammen ..... D23/226  
2,609,239 A \* 9/1952 Barton ..... A62C 31/005  
239/412  
D223,491 S \* 4/1972 Smart ..... D23/226  
3,963,180 A \* 6/1976 Wagner ..... B05B 9/01  
239/288.5

D258,760 S \* 3/1981 Docken ..... D23/225  
D270,368 S \* 8/1983 Grime ..... D23/225  
D303,139 S \* 8/1989 Morgan ..... D23/223  
D304,068 S \* 10/1989 Herbst ..... D23/226  
5,381,957 A \* 1/1995 Bianco ..... B05B 1/08  
239/428.5  
D358,450 S \* 5/1995 Casey ..... D23/223  
D430,645 S \* 9/2000 Wang ..... D23/226  
D447,791 S \* 9/2001 Robidoux ..... D23/225

(Continued)

OTHER PUBLICATIONS

Tornador MAX, Nov. 5, 2020, YouTube, site visited Dec. 28, 2021:  
<https://www.youtube.com/watch?v=8KLTvNVIW24> (Year: 2020).\*

(Continued)

*Primary Examiner* — Jack Reickel

*Assistant Examiner* — Bobby W Jones, II

(74) *Attorney, Agent, or Firm* — Kowert, Hood, Munyon,  
Rankin & Goetzel, P.C.; Gareth M. Sampson

(57) **CLAIM**

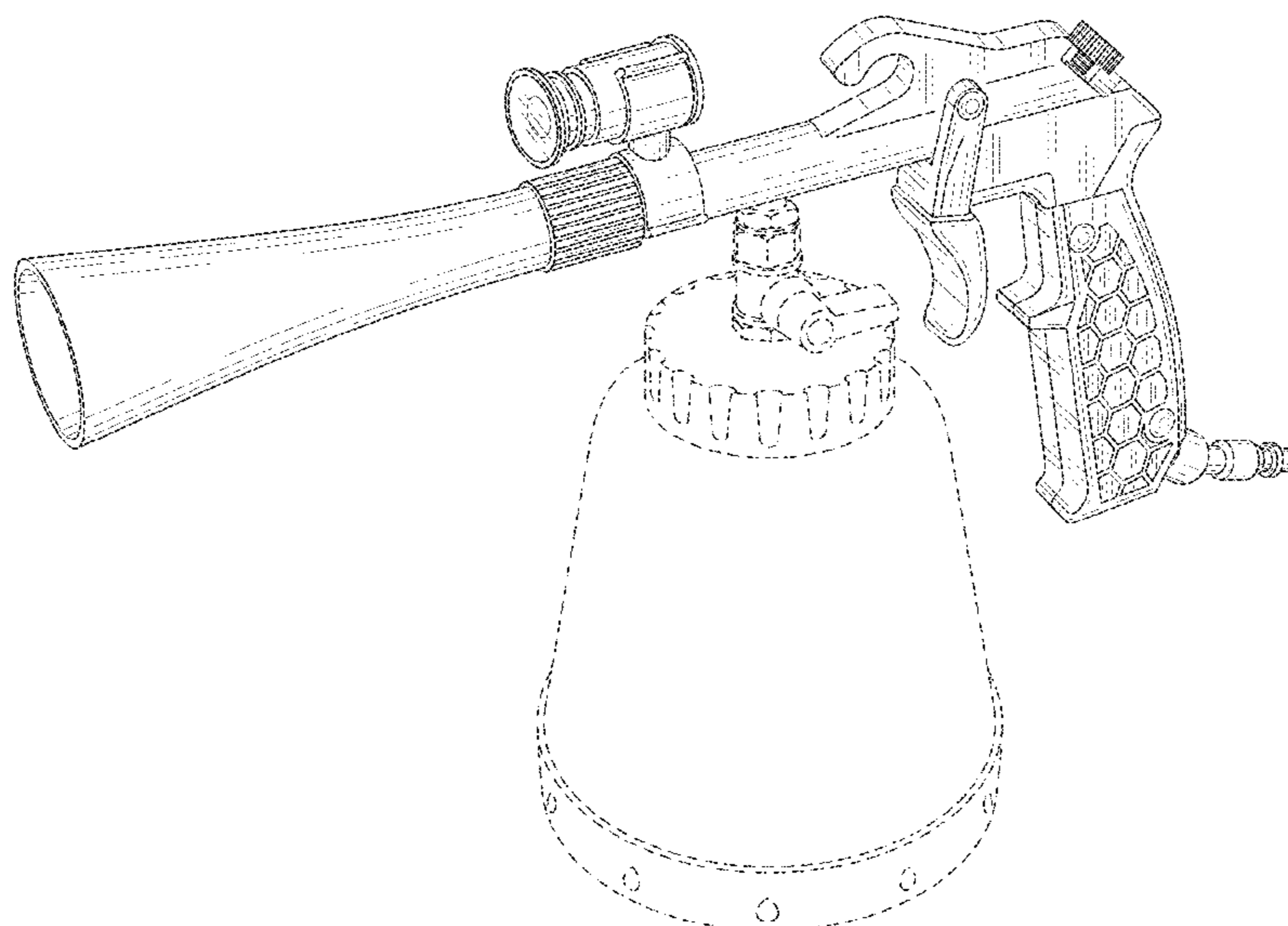
The ornamental design for a nozzle handle with a flashlight,  
as shown and described.

**DESCRIPTION**

FIG. 1 is a left side perspective view of a nozzle handle with  
flashlight showing the new design;  
FIG. 2 is a left side elevational view thereof;  
FIG. 3 is a right side elevational view thereof;  
FIG. 4 is a front elevational view thereof;  
FIG. 5 is a rear elevational view thereof;  
FIG. 6 is a top plan view thereof; and,  
FIG. 7 is a bottom plan view thereof.

The broken line showing of the nozzle is included for the  
purpose of illustrating portions of the article and forms no  
part of the claimed design. The broken line showing of  
attachments is included for the purpose of illustrating envi-  
ronmental structure and forms no part of the claimed design.

**1 Claim, 7 Drawing Sheets**



(56)

**References Cited**

U.S. PATENT DOCUMENTS

6,883,732 B2 \* 4/2005 Hasegawa ..... B05B 3/06  
239/318  
9,211,560 B1 \* 12/2015 Chen ..... B05B 3/06  
10,058,882 B1 \* 8/2018 Quinn ..... A62C 31/03  
10,259,002 B1 \* 4/2019 Kuo ..... B05B 7/2491  
2002/0100823 A1 \* 8/2002 Robidoux ..... B05B 5/1691  
239/697  
2009/0057443 A1 \* 3/2009 Sendo ..... B08B 3/026  
239/405  
2010/0176219 A1 \* 7/2010 Hasegawa ..... B05B 7/0433  
239/407  
2010/0320289 A1 \* 12/2010 Kuo ..... B05B 7/2435  
239/290  
2011/0089261 A1 \* 4/2011 Gohring ..... B05B 7/2408  
239/310  
2012/0286071 A1 \* 11/2012 Lin ..... B05B 3/06  
239/525

2015/0000705 A1 \* 1/2015 Dehn ..... B05B 3/06  
134/21  
2015/0085601 A1 \* 3/2015 Hammerlund ..... B29B 7/7447  
366/160.1  
2016/0339458 A1 \* 11/2016 Fu ..... B05B 1/005  
2019/0015876 A1 \* 1/2019 Wang ..... B08B 5/02

OTHER PUBLICATIONS

Tornador Classic Z-010RS, Sep. 23, 2019, YouTube, site visited Dec. 28, 2021: [https://www.youtube.com/watch?v=aL\\_-sxMx8UU](https://www.youtube.com/watch?v=aL_-sxMx8UU) (Year: 2019).\*  
Fydun Car Cleaning Gun, Apr. 4, 2019, Amazon, site visited Dec. 28, 2021: <https://www.amazon.com/dp/B07Q82GTPM/> (Year: 2019).\*  
Practisol Car Interior Cleaner, May 3, 2019, Amazon, site visited Dec. 28, 2021: <https://www.amazon.ca/dp/B07RBN4J5Q/> (Year: 2019).\*

\* cited by examiner

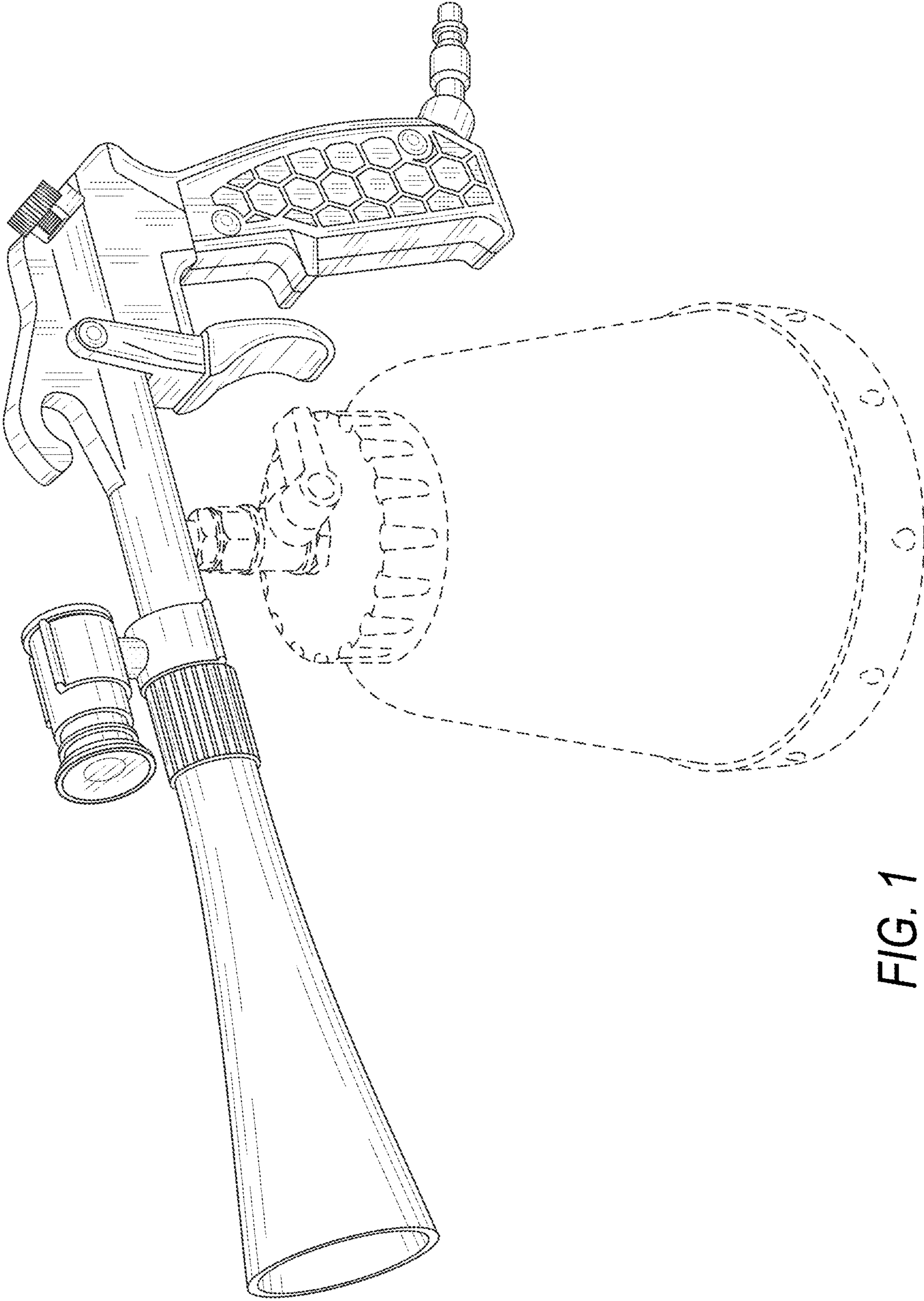


FIG. 1



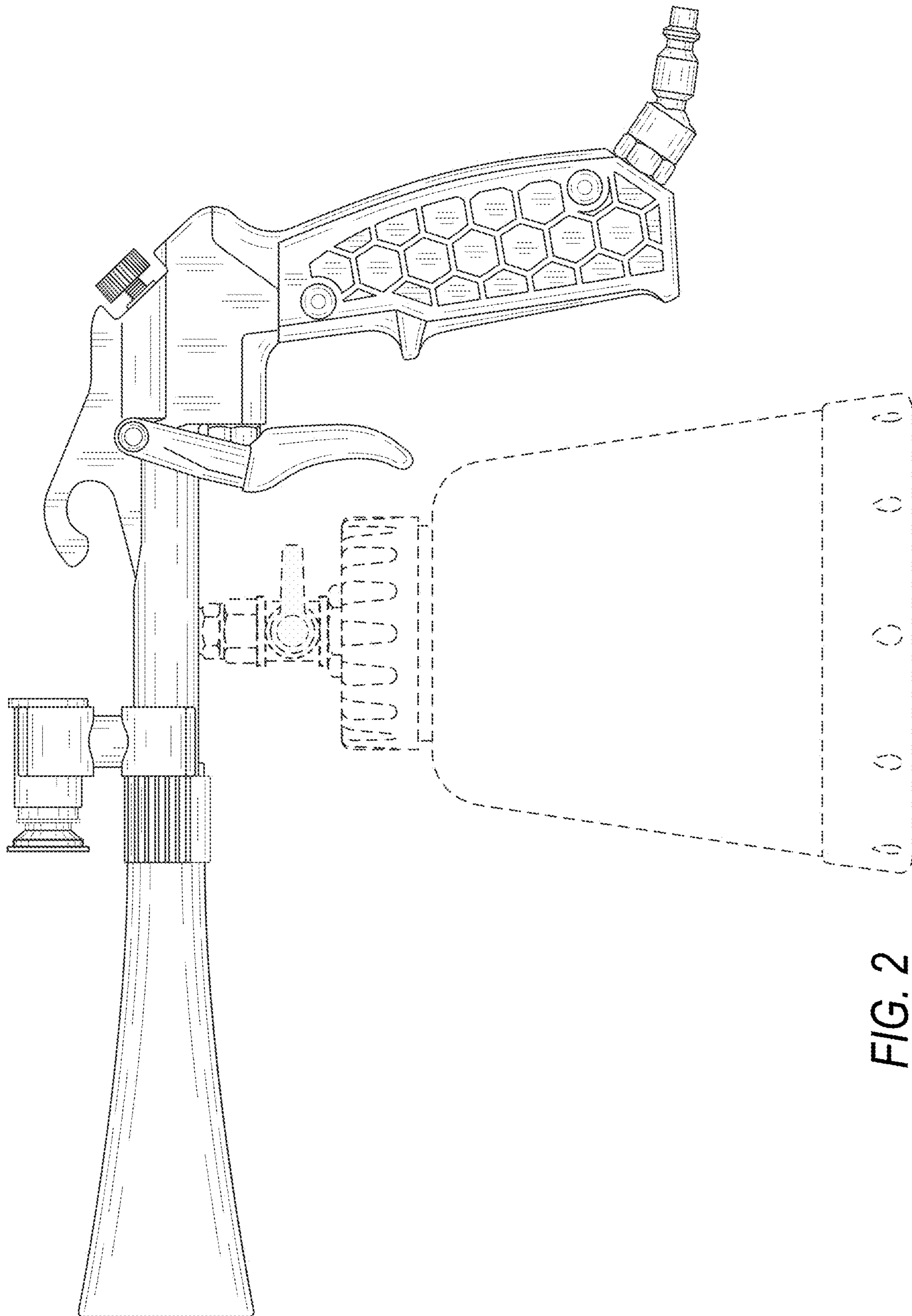
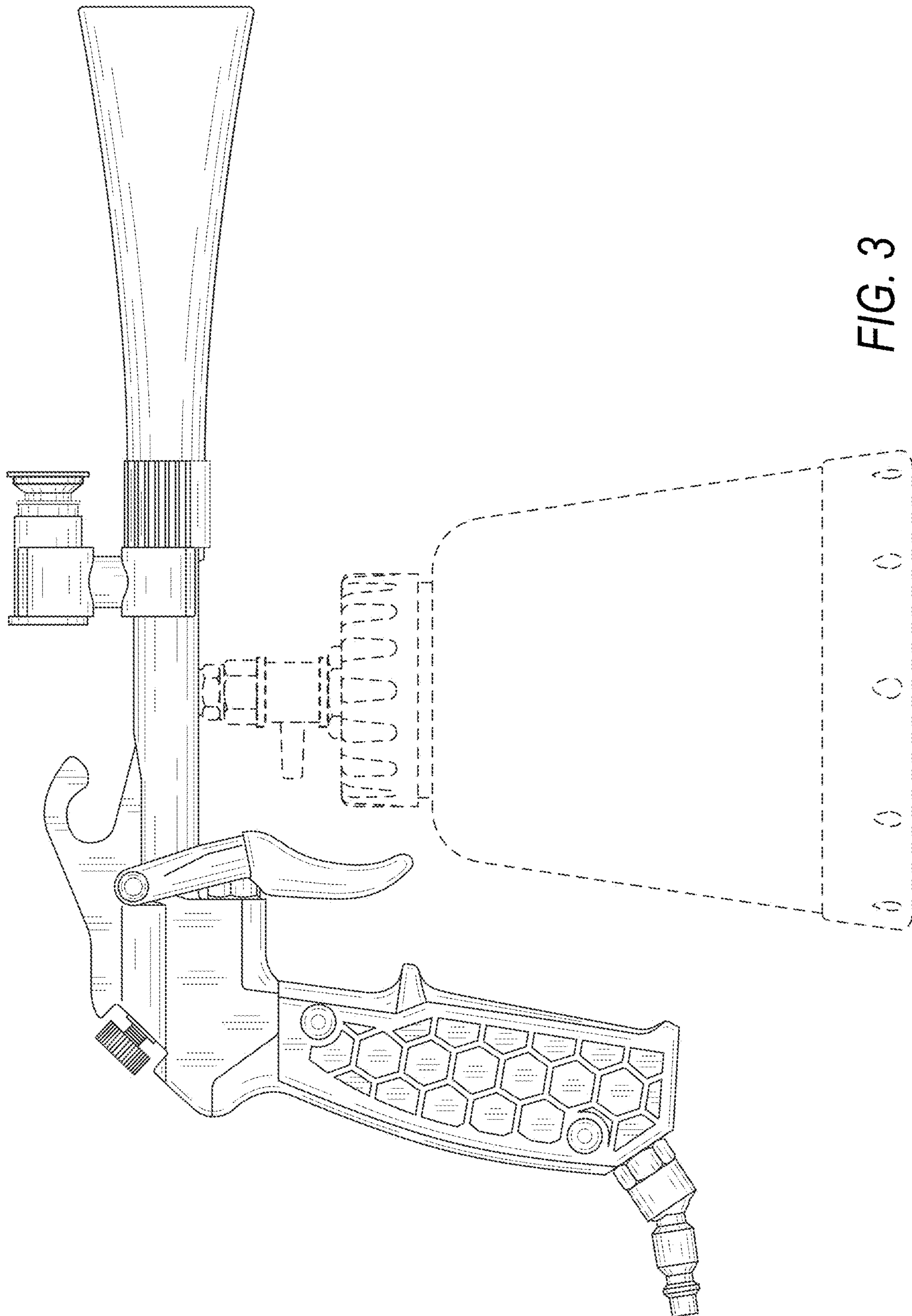
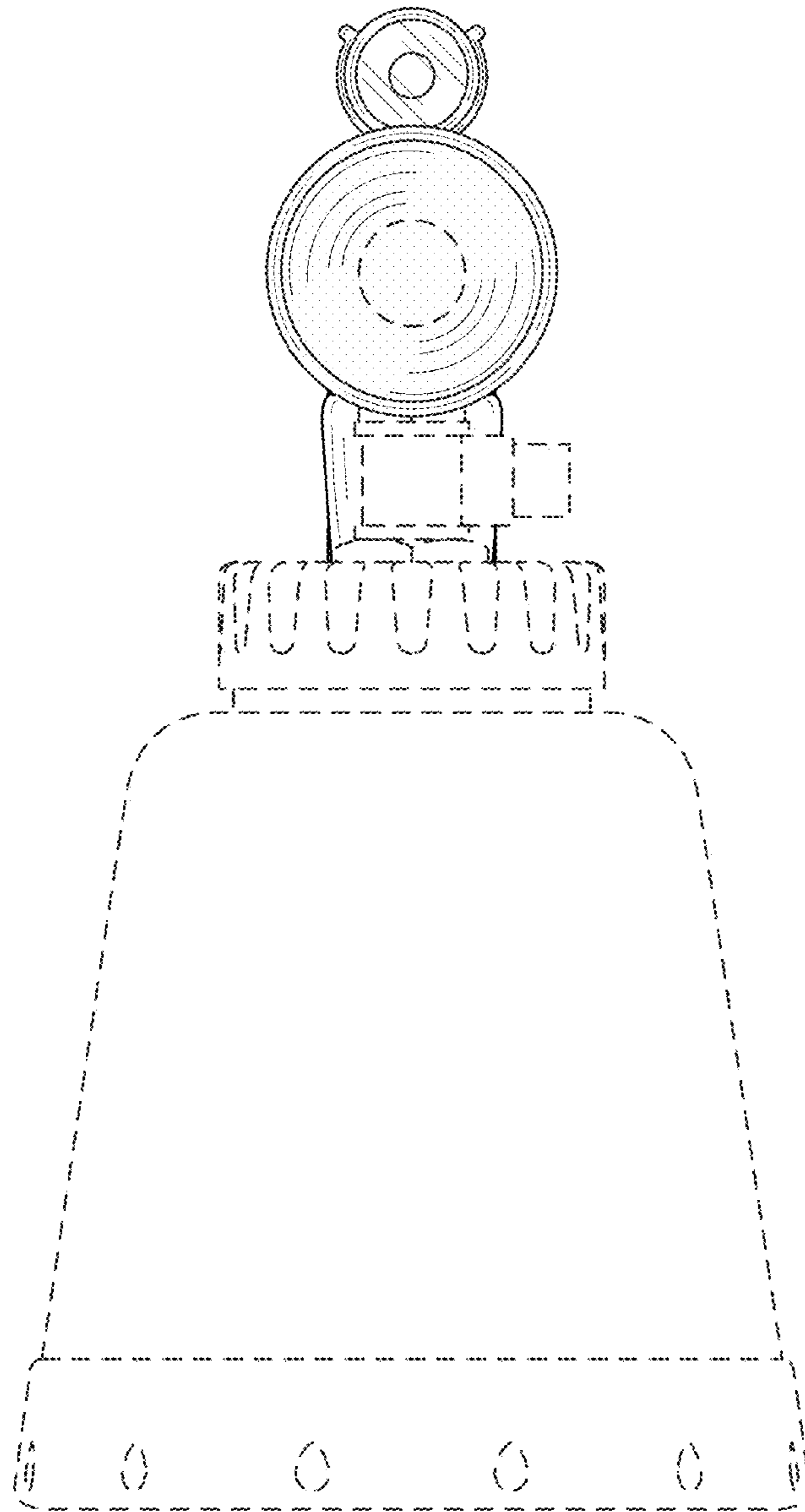


FIG. 2





**FIG. 4**

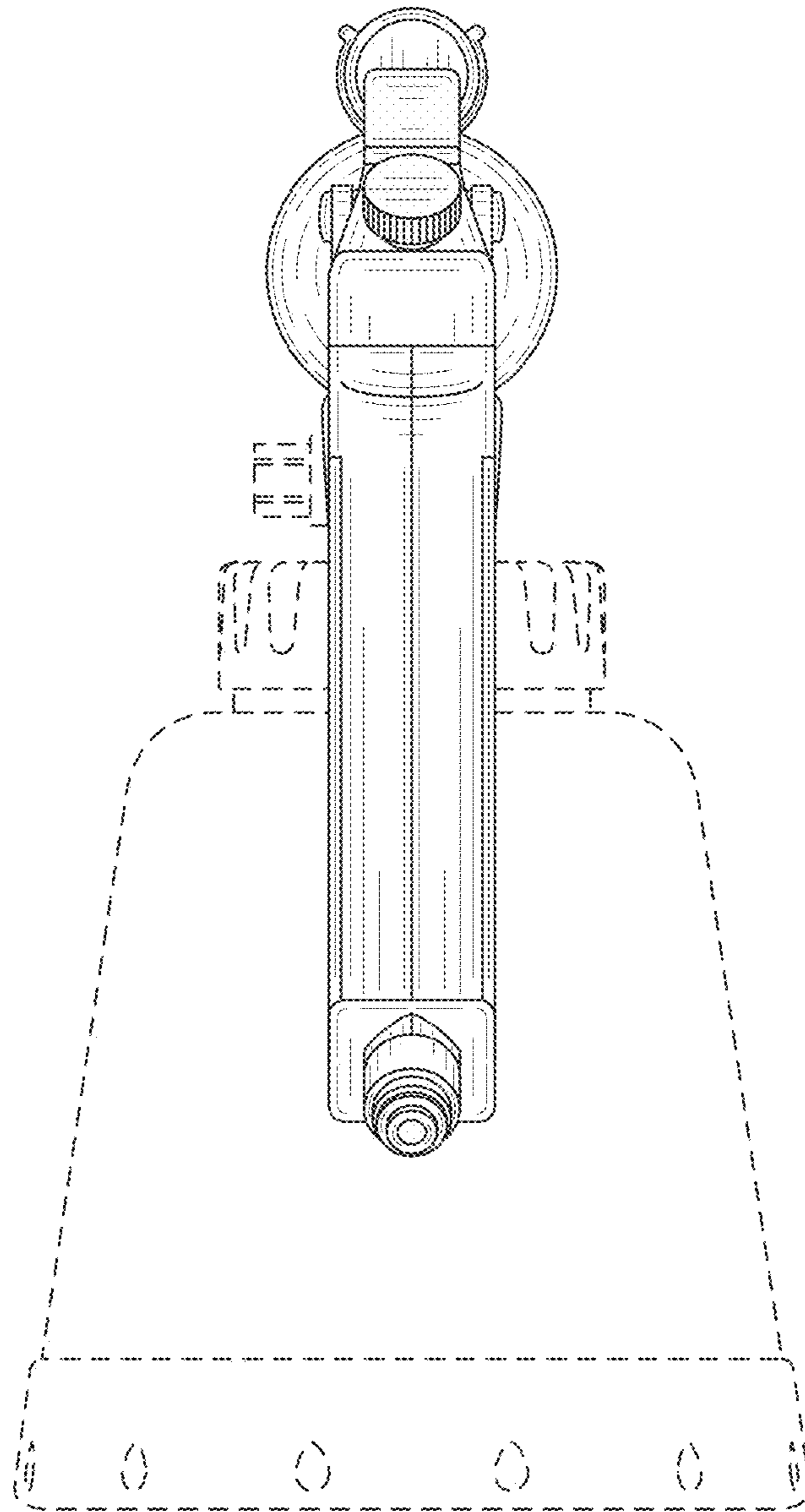


FIG. 5

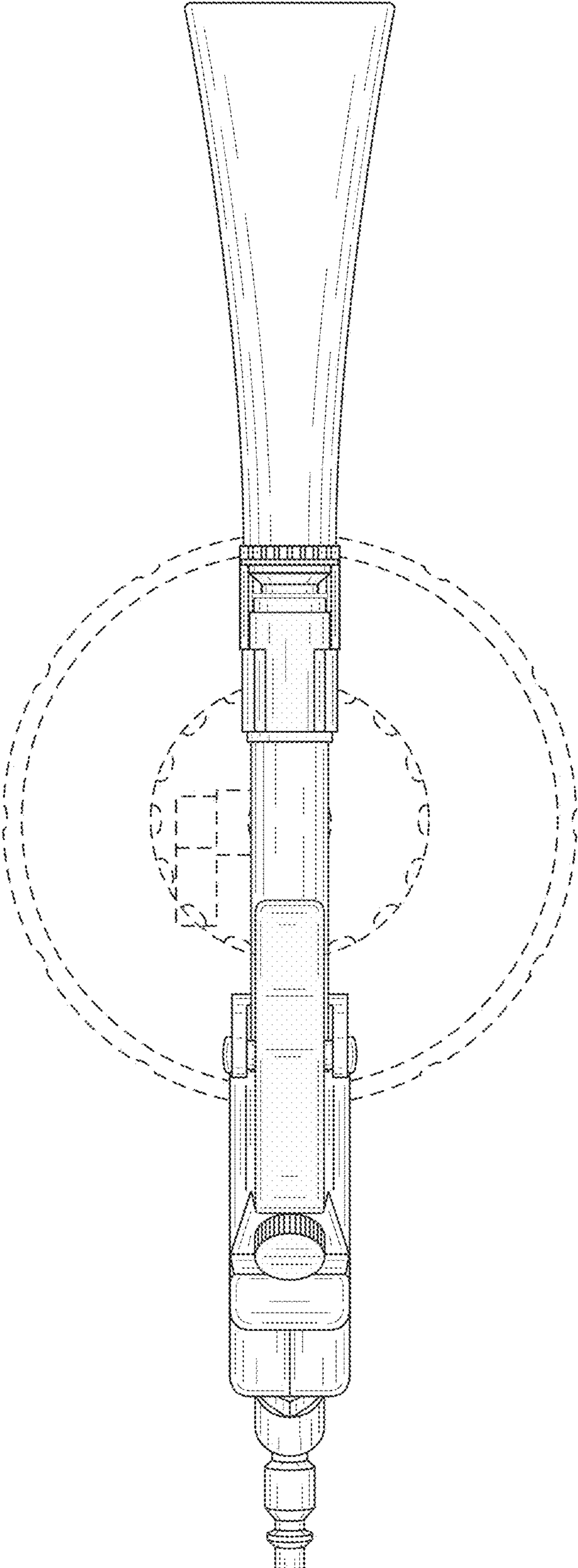


FIG. 6



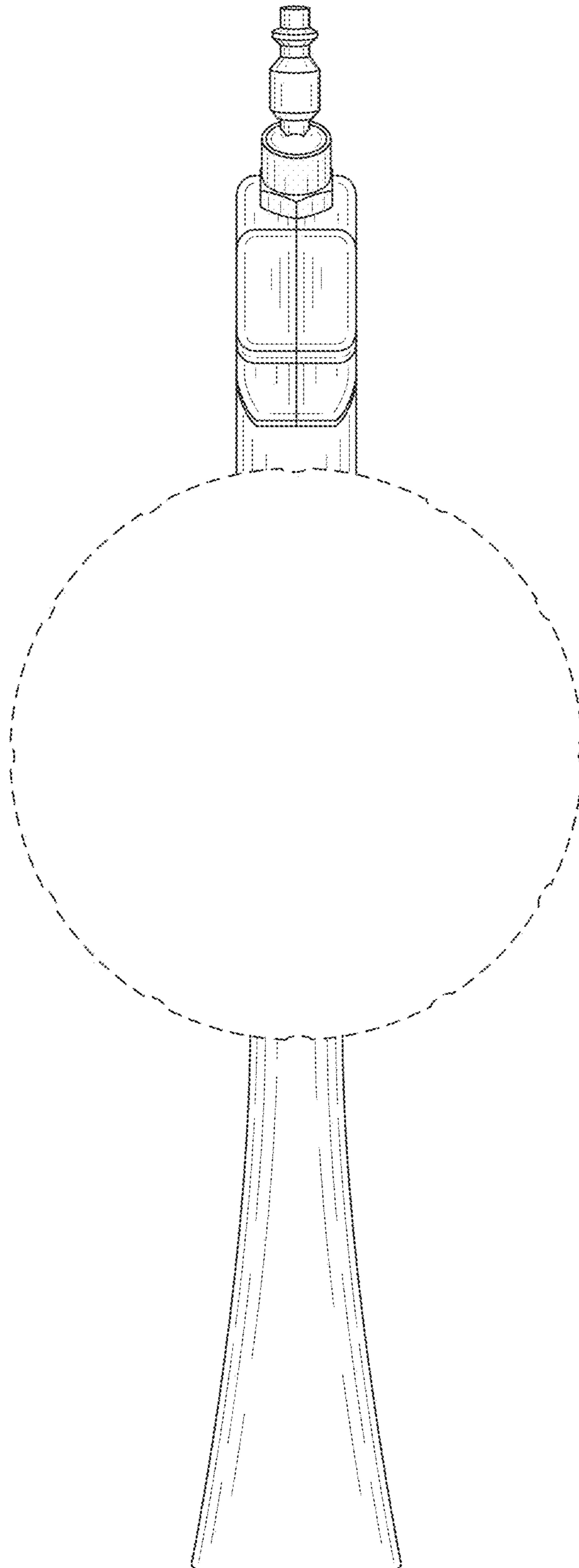


FIG. 7