



US00D972684S

(12) **United States Design Patent** (10) **Patent No.:** **US D972,684 S**
Pieroni (45) **Date of Patent:** **** *Dec. 13, 2022**

(54) **NOZZLE HANDLE**

(71) Applicant: **ECP Incorporated**, Woodridge, IL (US)

(72) Inventor: **Daniel P. Pieroni**, Naperville, IL (US)

(73) Assignee: **ECP Incorporated**, Woodridge, IL (US)

(*) Notice: This patent is subject to a terminal disclaimer.

(**) Term: **15 Years**

(21) Appl. No.: **29/756,918**

(22) Filed: **Nov. 1, 2020**

(51) **LOC (13) Cl.** **23-01**

(52) **U.S. Cl.**
USPC **D23/226**

(58) **Field of Classification Search**
USPC D23/213, 223, 225, 226; D3/217
CPC B05B 5/00; B05B 5/025; B05B 5/0255;
B05B 5/03; B05B 5/16; B05B 5/1691;
B05B 7/00; B05B 7/0018; B05B 7/02;
B05B 7/129; B05B 7/24; B05B 7/2475;
B05B 7/2491; B05B 9/00; B05B 9/01;
B05B 9/03; B05B 9/08; B05B 9/085;
B05B 9/0861; B05B 9/0883; B05B
9/0888; B08B 3/026; A01M 7/0046
See application file for complete search history.

(56) **References Cited**

U.S. PATENT DOCUMENTS

D133,395 S * 8/1942 Tammen D23/226
2,609,239 A * 9/1952 Barton A62C 31/005
239/412
D223,491 S * 4/1972 Smart D23/226
3,963,180 A * 6/1976 Wagner B05B 9/01
239/288.5
D258,760 S * 3/1981 Docken D23/225

D270,368 S * 8/1983 Grime D23/225
D303,139 S * 8/1989 Morgan D23/223
D304,068 S * 10/1989 Herbst D23/226
5,381,957 A * 1/1995 Bianco B05B 1/08
239/428.5
D358,450 S * 5/1995 Casey D23/223
D430,645 S * 9/2000 Wang D23/226
D447,791 S * 9/2001 Robidoux D23/225
6,883,732 B2 * 4/2005 Hasegawa B05B 3/00
239/318
9,211,560 B1 * 12/2015 Chen B05B 3/06
10,058,882 B1 * 8/2018 Quinn A62C 31/03
(Continued)

OTHER PUBLICATIONS

Tornador MAX, Nov. 5, 2020, YouTube, site visited Dec. 28, 2021:
<https://www.youtube.com/watch?v=8KLTvNVIW24> (Year: 2020).*

(Continued)

Primary Examiner — Jack Reickel
Assistant Examiner — Bobby W Jones, II
(74) *Attorney, Agent, or Firm* — Kowert, Hood, Munyon,
Rankin & Goetzel, P.C.; Gareth M. Sampson

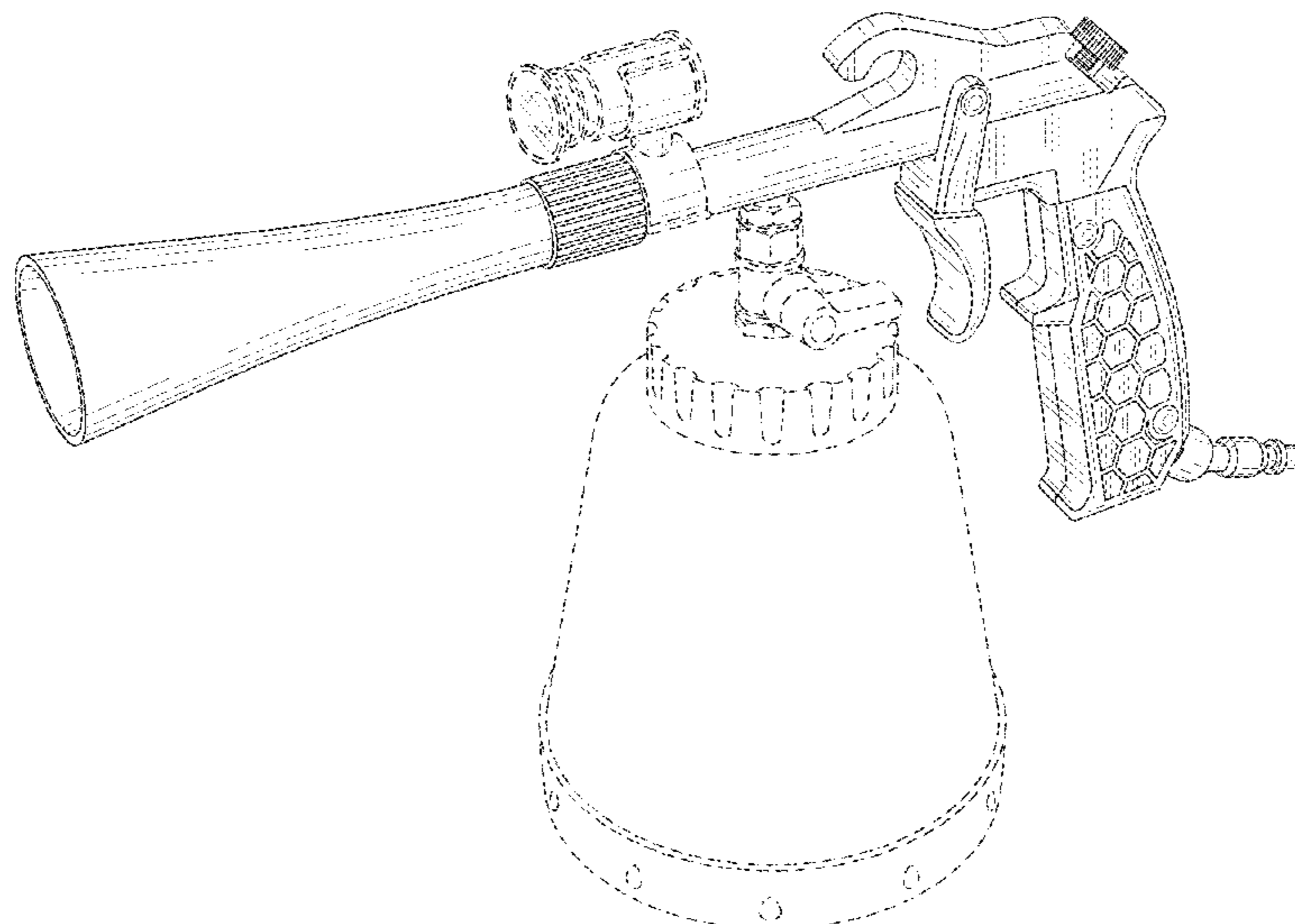
(57) **CLAIM**

The ornamental design for a nozzle handle, as shown and described.

DESCRIPTION

FIG. 1 is a left side perspective view of a nozzle handle showing the new design;
FIG. 2 is a left side elevational view thereof;
FIG. 3 is a right side elevational view thereof;
FIG. 4 is a front elevational view thereof;
FIG. 5 is a rear elevational view thereof;
FIG. 6 is a top plan view thereof; and,
FIG. 7 is a bottom plan view thereof.
The broken line showing of attachments is included for the purpose of illustrating environmental structure and forms no part of the claimed design.

1 Claim, 7 Drawing Sheets



(56)

References Cited

U.S. PATENT DOCUMENTS

| | | | | |
|--------------|------|---------|------------------|-------------|
| 10,259,002 | B1 * | 4/2019 | Kuo | B05B 7/2491 |
| 2002/0100823 | A1 * | 8/2002 | Robidoux | B05B 5/1691 |
| | | | | 239/697 |
| 2009/0057443 | A1 * | 3/2009 | Sendo | B08B 3/026 |
| | | | | 239/405 |
| 2010/0176219 | A1 * | 7/2010 | Hasegawa | B05B 7/0433 |
| | | | | 239/407 |
| 2010/0320289 | A1 * | 12/2010 | Kuo | B05B 7/2435 |
| | | | | 239/290 |
| 2011/0089261 | A1 * | 4/2011 | Gohring | B05B 7/2408 |
| | | | | 239/310 |
| 2012/0286071 | A1 * | 11/2012 | Lin | B05B 3/06 |
| | | | | 239/525 |
| 2015/0000705 | A1 * | 1/2015 | Dehn | B05B 3/06 |
| | | | | 134/21 |
| 2015/0085601 | A1 * | 3/2015 | Hammerlund | B29B 7/7447 |
| | | | | 366/160.1 |
| 2016/0339458 | A1 * | 11/2016 | Fu | B05B 1/005 |
| 2019/0015876 | A1 * | 1/2019 | Wang | B08B 5/02 |

OTHER PUBLICATIONS

Tornador Classic Z-010RS, Sep. 23, 2019, YouTube, site visited Dec. 28, 2021: https://www.youtube.com/watch?v=aL_-sxMx8UU (Year: 2019).*

Fydun Car Cleaning Gun, Apr. 4, 2019, Amazon, site visited Dec. 28, 2021: <https://www.amazon.com/dp/B07Q82GTPM/> (Year: 2019).*

Practisol Car Interior Cleaner, May 3, 2019, Amazon, site visited Dec. 28, 2021: <https://www.amazon.ca/dp/B07RBN4J5Q/> (Year: 2019).*

* cited by examiner

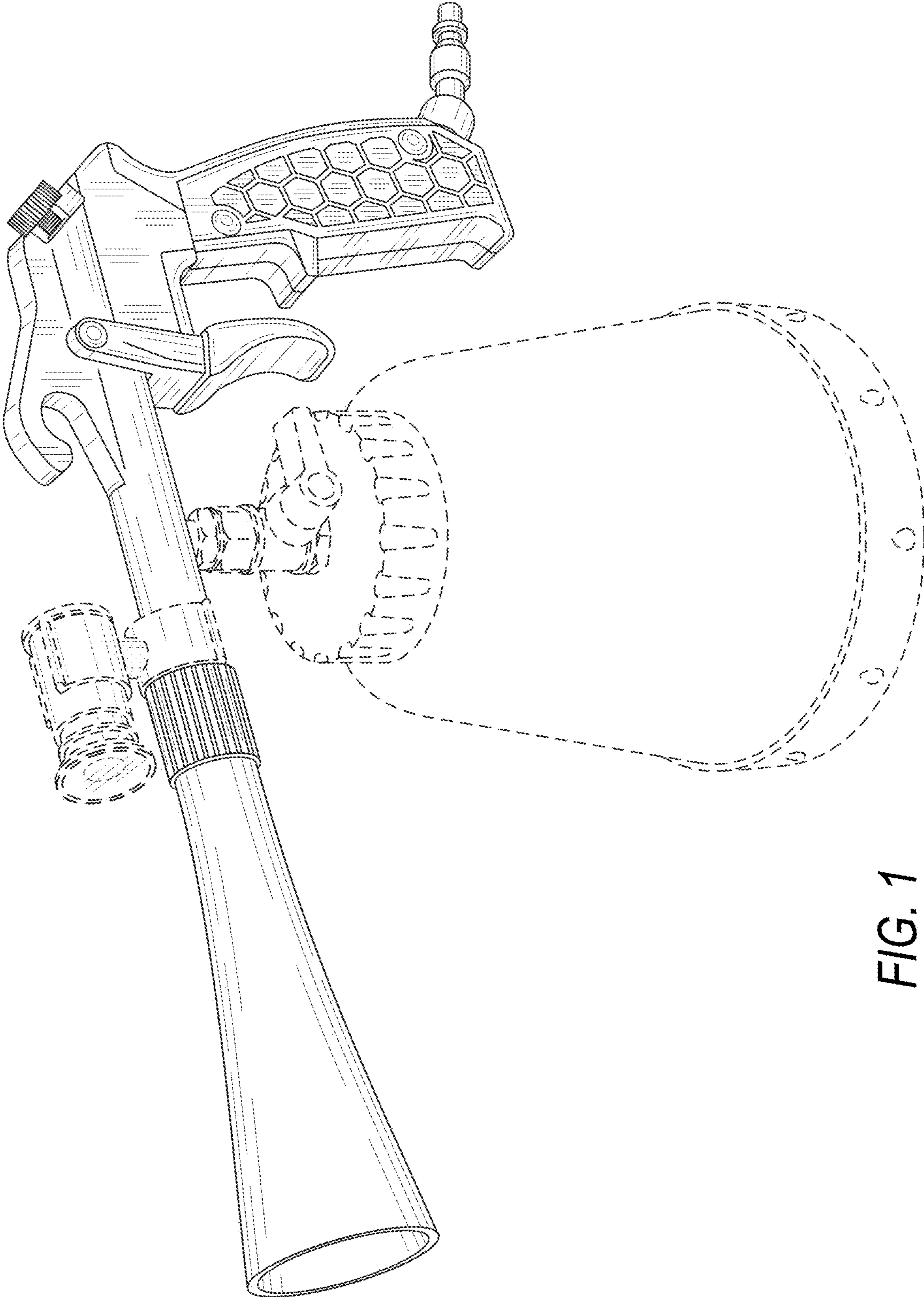


FIG. 1

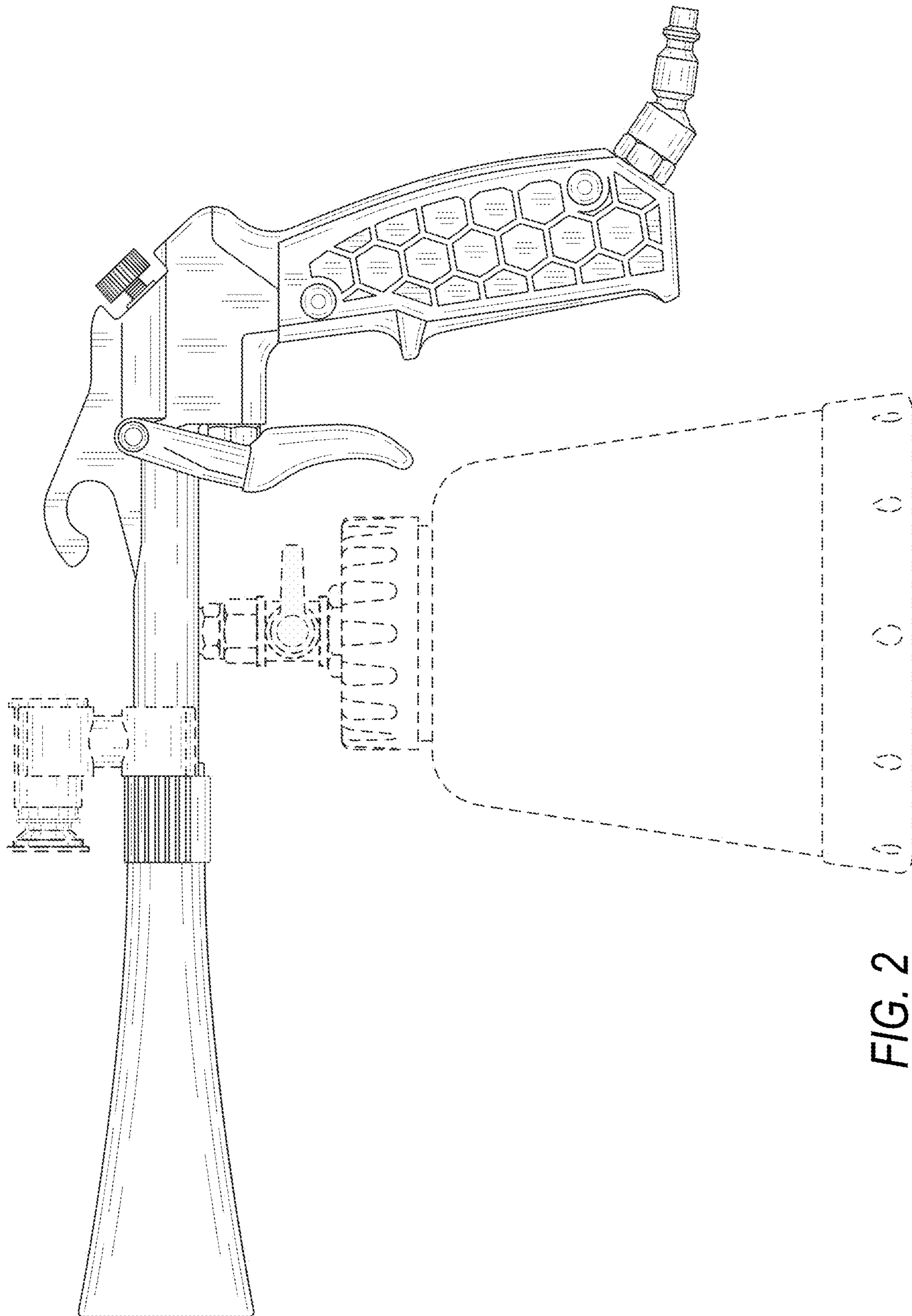
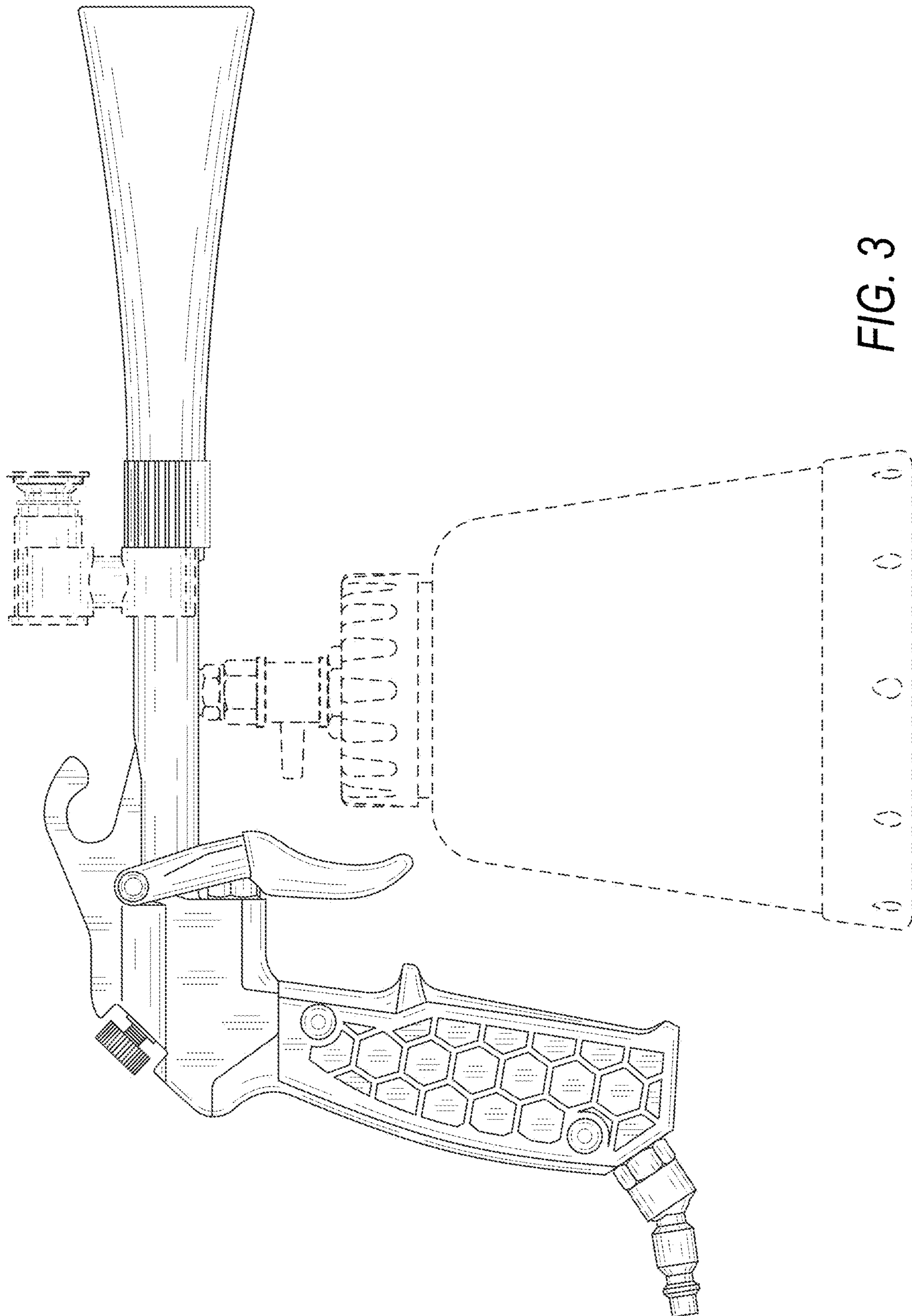


FIG. 2



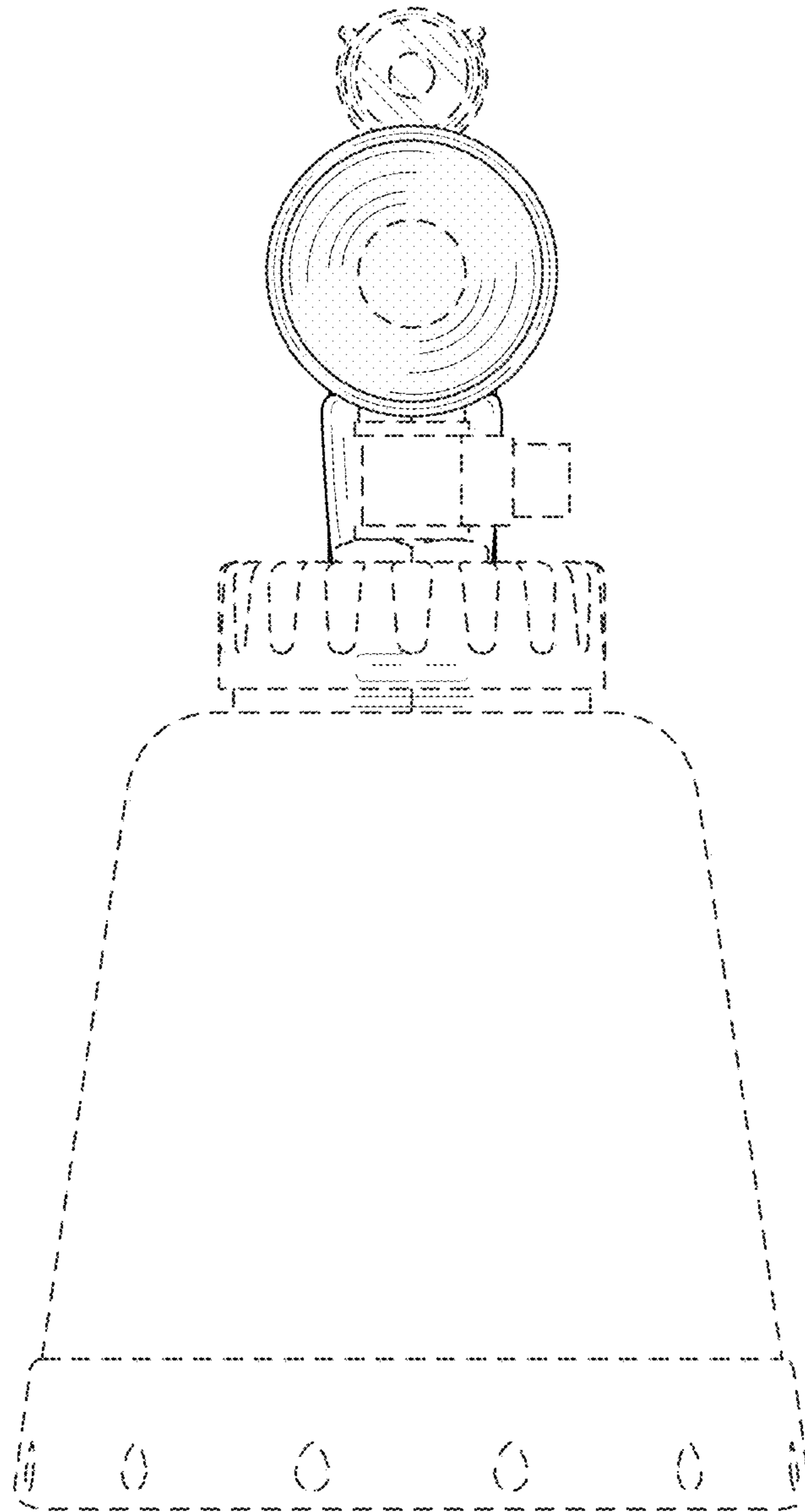


FIG. 4

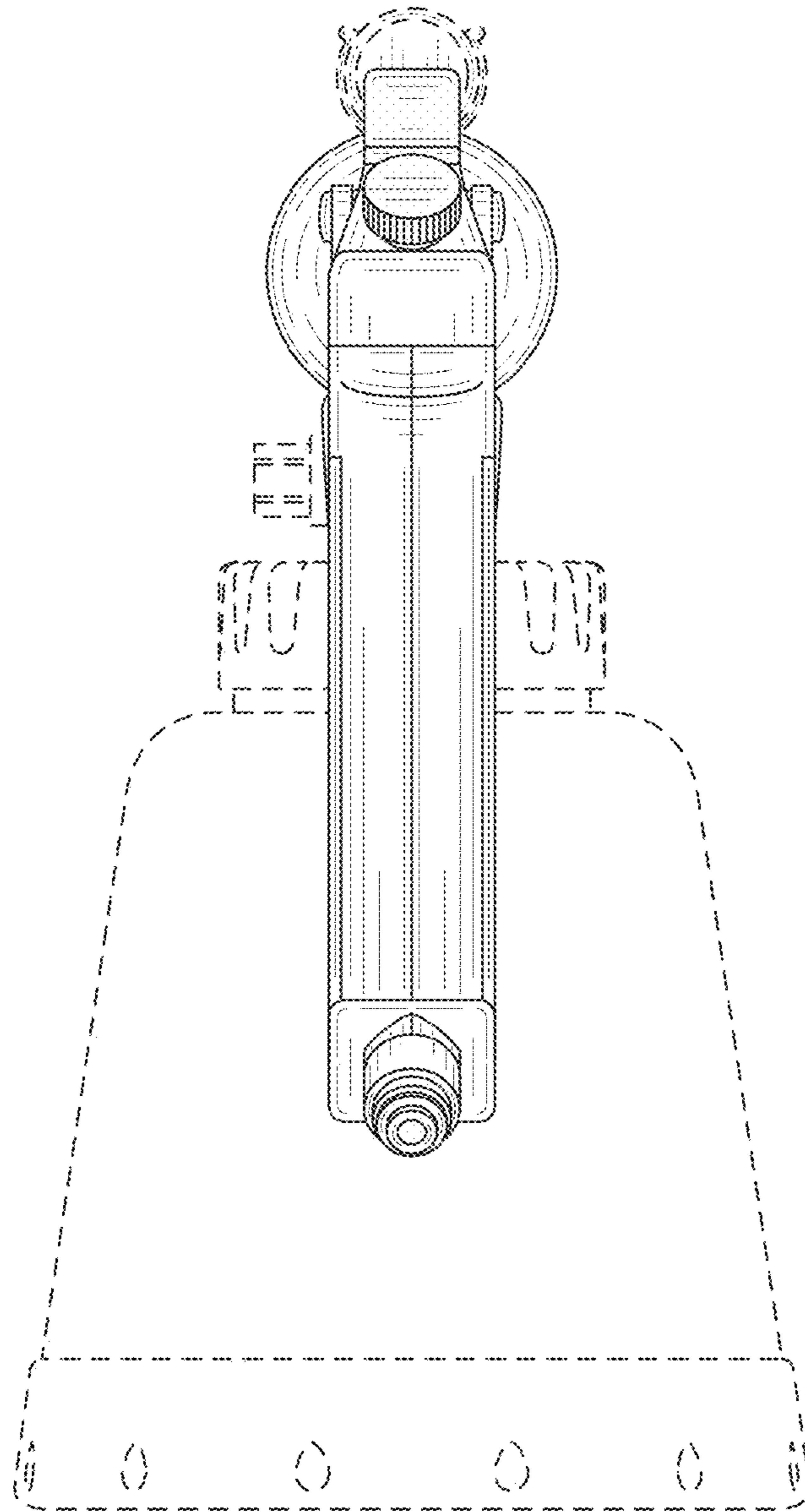


FIG. 5

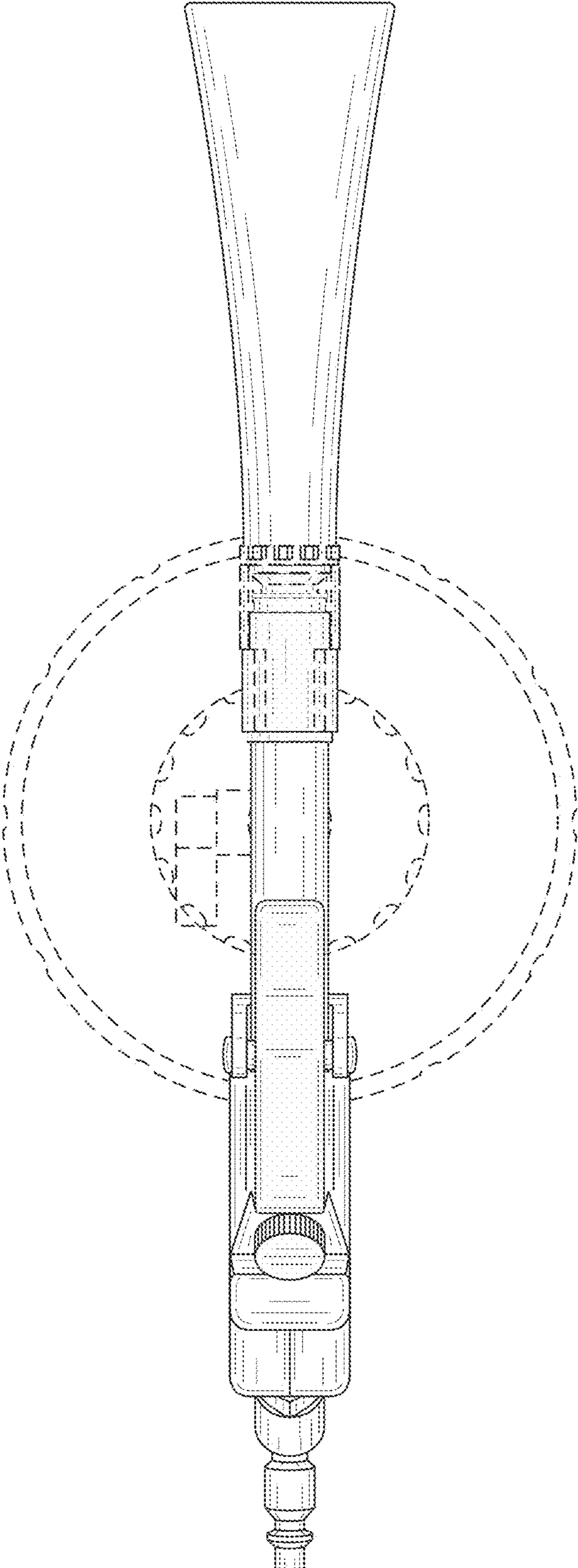


FIG. 6

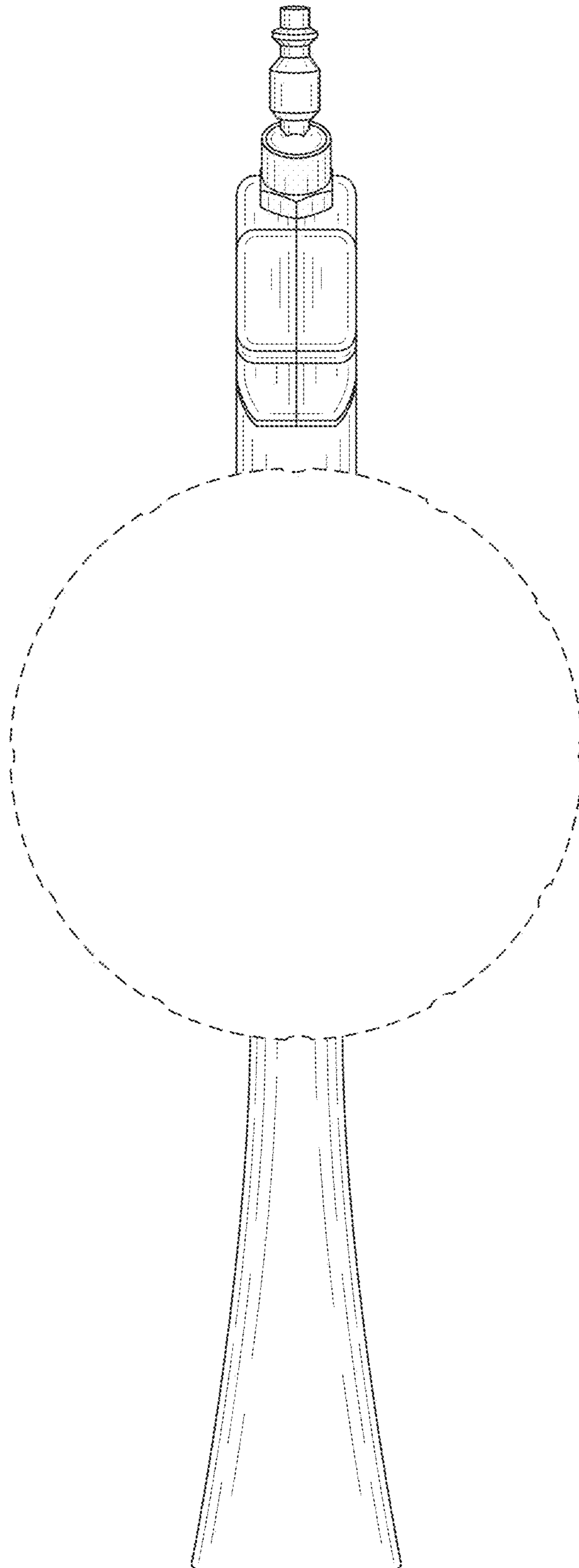


FIG. 7