



US00D972683S

(12) **United States Design Patent** (10) **Patent No.:** **US D972,683 S**  
**Tobler et al.** (45) **Date of Patent:** **\*\* Dec. 13, 2022**

(54) **CARTRIDGE**  
(71) Applicant: **GEMA SWITZERLAND GMBH**, St. Gallen (CH)  
(72) Inventors: **Roger Tobler**, Gossau (CH); **Marco Sanwald**, Abtwil (CH)  
(73) Assignee: **GEMA SWITZERLAND GMBH**, St. Gallen (CH)  
(\*\*) Term: **15 Years**

D540,908 S \* 4/2007 Py ..... D23/213  
D546,946 S \* 7/2007 Blake ..... D24/129  
D576,477 S \* 9/2008 Levy ..... D23/262  
D667,530 S \* 9/2012 Wyne ..... D23/213  
D669,961 S \* 10/2012 Sanwald ..... D23/213  
D670,356 S \* 11/2012 Sanwald ..... D23/213  
D690,391 S \* 9/2013 Garm ..... D23/233  
D699,320 S \* 2/2014 Wyne ..... D23/213  
D736,285 S \* 8/2015 Hassan ..... D15/144  
D745,949 S \* 12/2015 Meyer ..... D23/259  
D755,347 S \* 5/2016 Jenne ..... D23/233  
D785,137 S \* 4/2017 Mahdjoubi Namin ..... D23/223  
D832,984 S \* 11/2018 Khubani ..... D23/262  
D834,154 S \* 11/2018 Khubani ..... D23/262

(Continued)

(21) Appl. No.: **29/773,947**  
(22) Filed: **Mar. 12, 2021**

(30) **Foreign Application Priority Data**

Sep. 18, 2020 (EM) ..... 008172654

(51) **LOC (13) Cl.** ..... **23-01**

(52) **U.S. Cl.**  
USPC ..... **D23/213**

(58) **Field of Classification Search**  
USPC ..... D23/208, 213, 223–225, 233, 235–237,  
D23/241–249, 252, 255, 262; D7/322,  
D7/398, 669; D9/434–436, 439, 440,  
D9/443, 447–450, 454, 499, 682,  
D9/685–691

CPC ..... F04B 9/14; F04B 23/02; F04B 23/023;  
B05B 11/3059; B05B 11/3001

See application file for complete search history.

(56) **References Cited**

**U.S. PATENT DOCUMENTS**

D281,349 S \* 11/1985 Goldish ..... D23/223  
D326,503 S \* 5/1992 Ipsen ..... D23/233  
D372,072 S \* 7/1996 Hutcherson ..... D23/223  
D425,965 S \* 5/2000 Yuen ..... D23/233  
D459,435 S \* 6/2002 Fauquet ..... D23/213  
D520,106 S \* 5/2006 Jones ..... D23/213

**OTHER PUBLICATIONS**

Compatible for Ricoh MPC3500 Toner Cartridges, Apr. 13, 2022, amazon.ca, Sep. 30, 2022, URL: <https://www.amazon.ca/Compatible-Cartridges-Replacement-Situation-Stationery/dp/B09XV9MZQH/> (Year: 2022).\*

(Continued)

*Primary Examiner* — Keith J Wilson

(74) *Attorney, Agent, or Firm* — Kinney & Lange, P.A.

(57) **CLAIM**

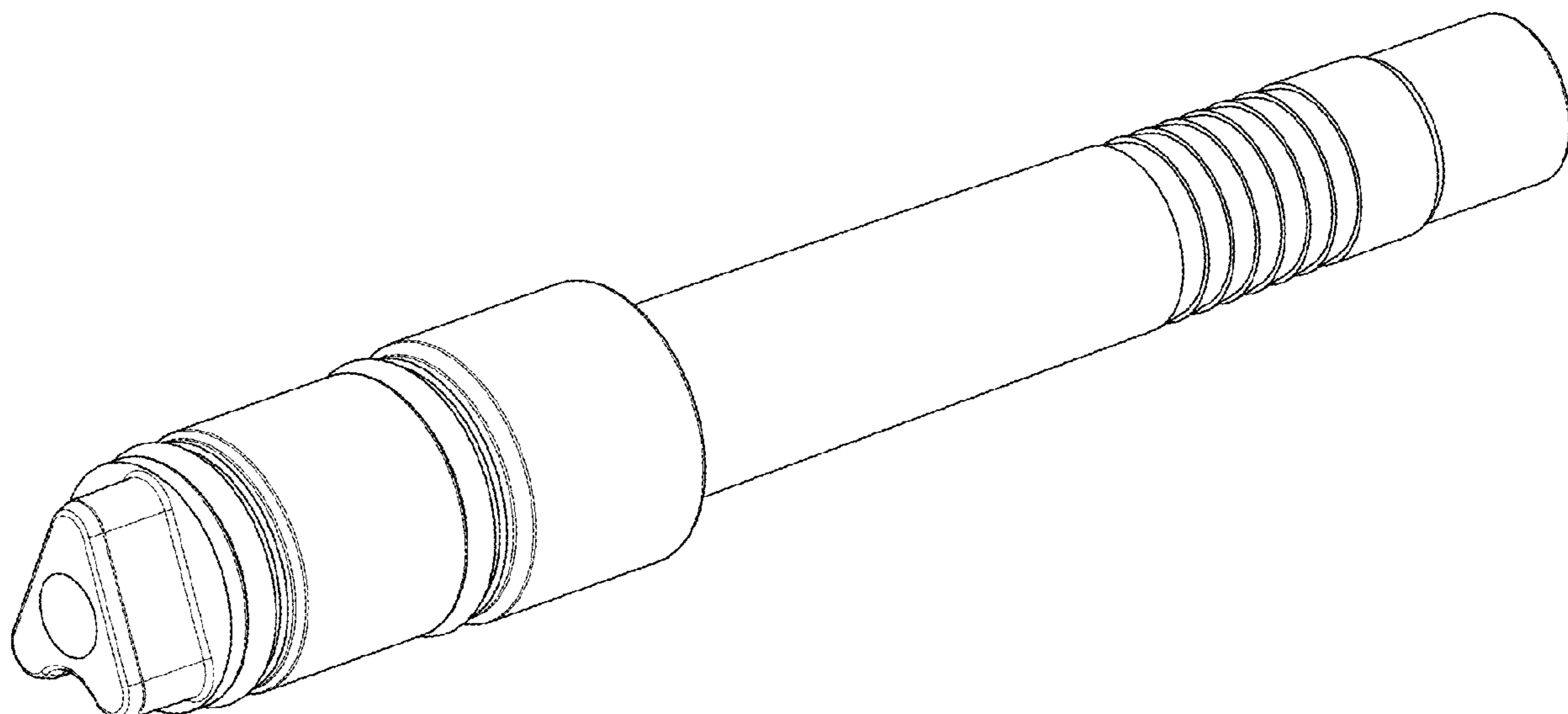
The ornamental design for a cartridge, as shown and described.

**DESCRIPTION**

FIG. 1 is a front perspective view;  
FIG. 2 is a bottom perspective view;  
FIG. 3 is bottom elevational view;  
FIG. 4 is a front elevational view;  
FIG. 5 is a top elevational view;  
FIG. 6 is a right side view; and,  
FIG. 7 is a left side view.

The broken lines shown in the Figures represent portions of the cartridge that form no part of the claimed design.

**1 Claim, 4 Drawing Sheets**



(56)

**References Cited**

U.S. PATENT DOCUMENTS

D835,244 S \* 12/2018 Khubani ..... D23/262  
D908,187 S \* 1/2021 Tobler ..... D23/233  
D943,061 S \* 2/2022 McIntyre, II ..... F23R 3/283  
D23/214  
D943,713 S \* 2/2022 Kelley ..... D23/262  
D947,316 S \* 3/2022 Downie ..... D23/262  
D952,107 S \* 5/2022 Chandler ..... D24/176  
D953,483 S \* 5/2022 Schurle ..... E03C 1/08  
D23/213  
D956,178 S \* 6/2022 Lin ..... D23/214

OTHER PUBLICATIONS

Buyers Products 1306355 Cartridge, Mar. 21, 2016, amazon.ca,  
Sep. 30, 2022, URL: <https://www.amazon.ca/Buyers-Products-1306355-Cartridge-Snowplow/dp/BOOIUKKR2S/> (Year: 2016).\*  
Compatible Toner Cartridge, Apr. 15, 2022, amazon.ca, Sep. 30,  
2022, URL: <https://www.amazon.ca/Compatible-Cartridge-Replacement-Panasonic-Situation/dp/B09Y1V59V7/> (Year: 2022).\*

\* cited by examiner

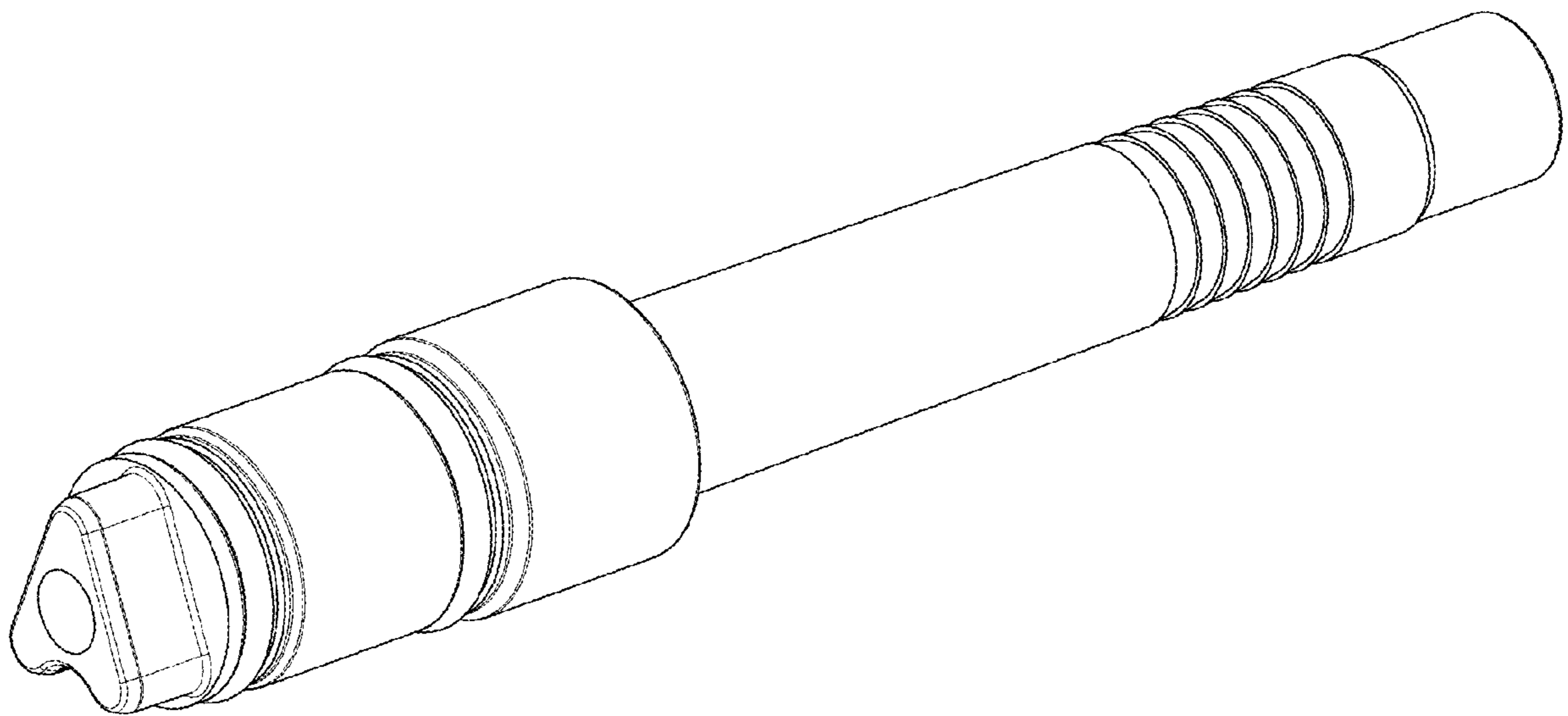


FIG. 1

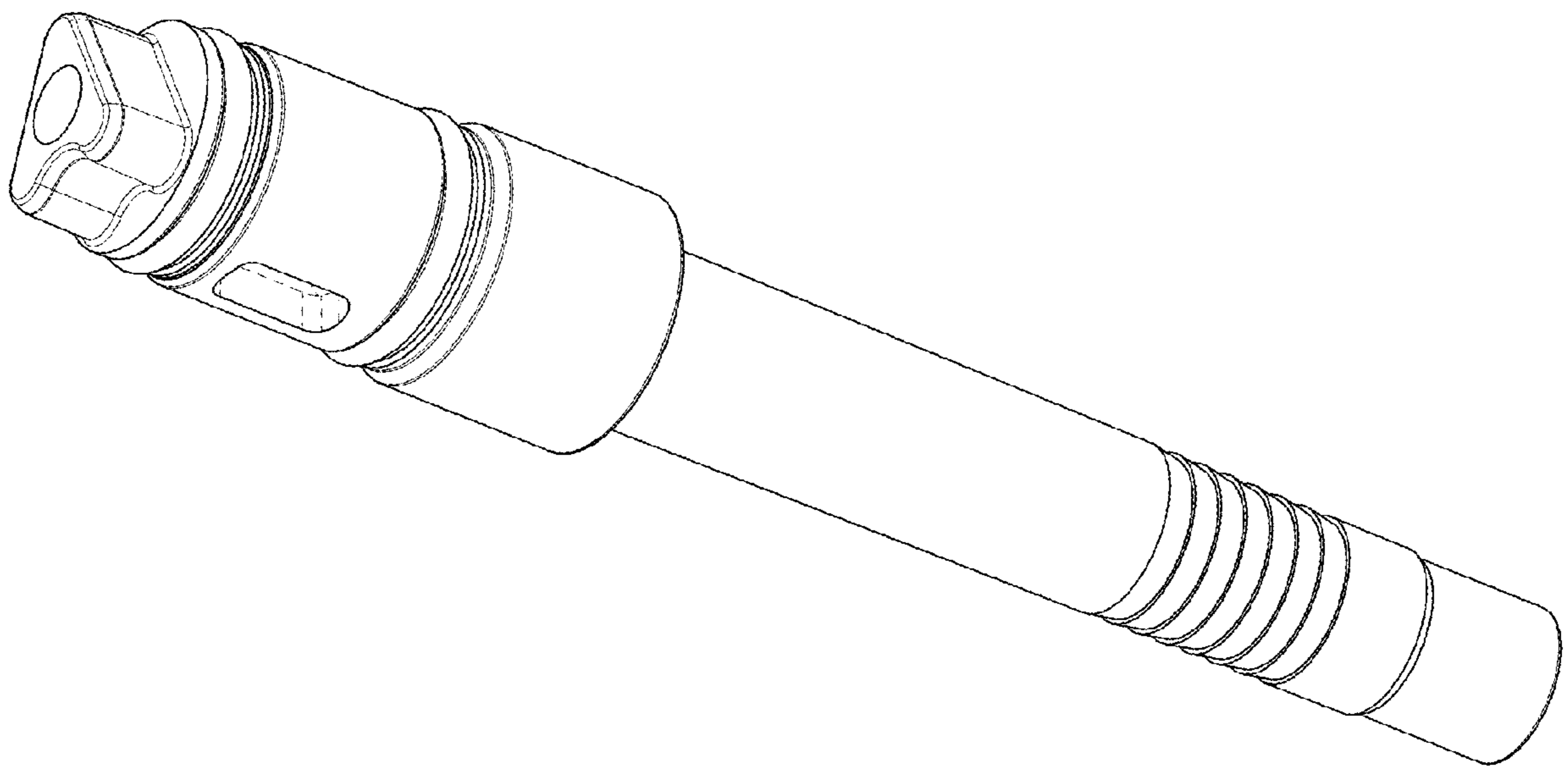


FIG.2

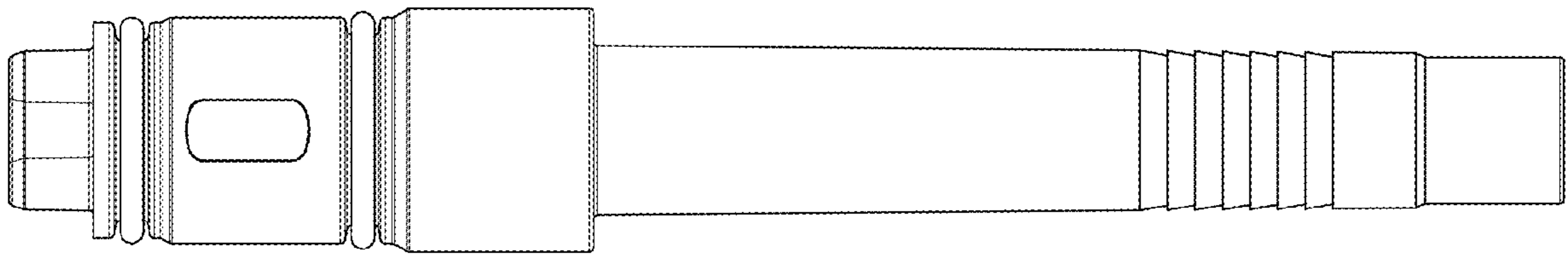


FIG.3

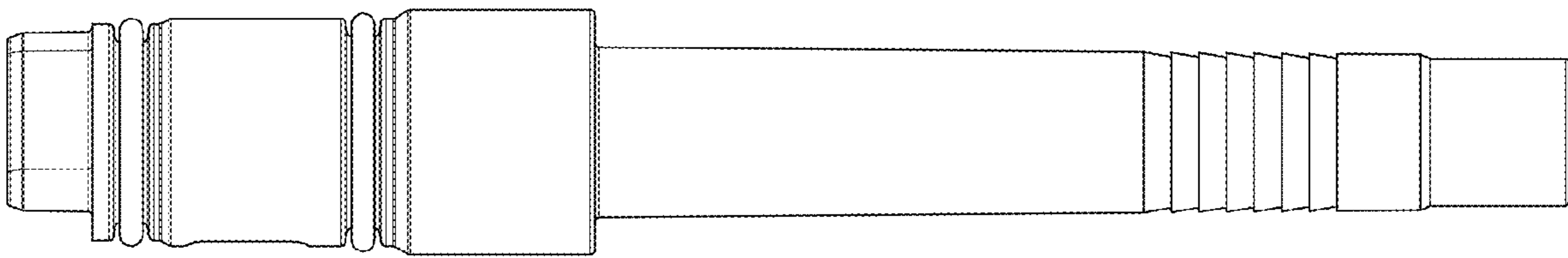


FIG.4

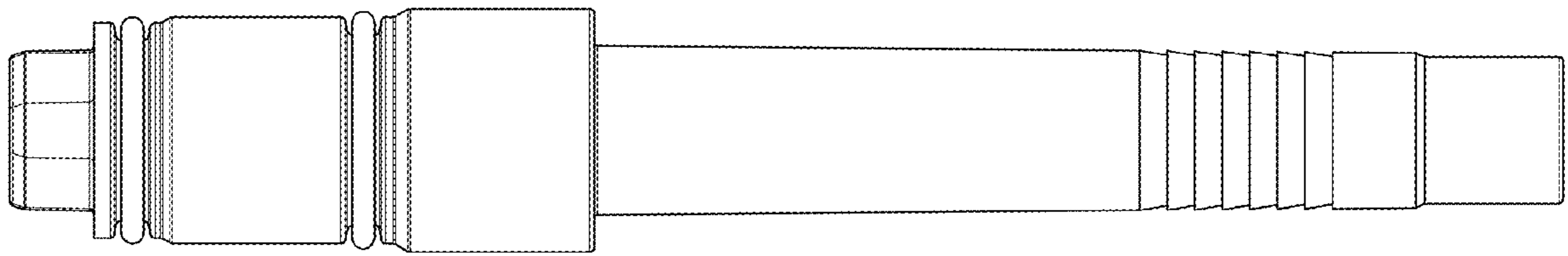


FIG. 5

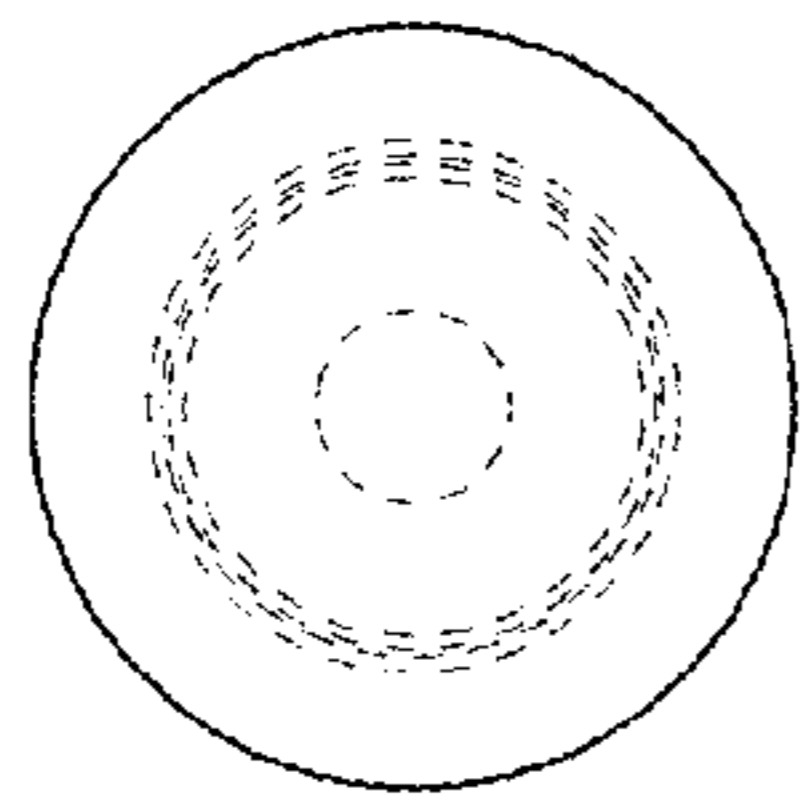


FIG. 6

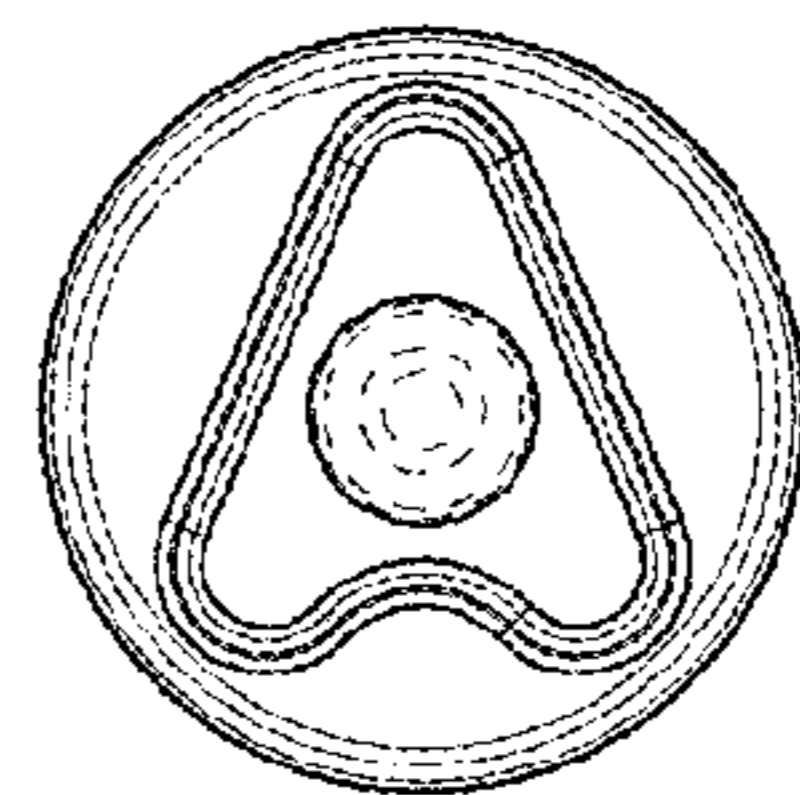


FIG. 7