



US00D972682S

(12) **United States Design Patent** (10) **Patent No.:** **US D972,682 S**
Pan (45) **Date of Patent:** **** Dec. 13, 2022**

(54) **FILTER**
(71) Applicant: **HANGZHOU LANKU TECHNOLOGY CO., LTD.**, Hangzhou (CN)
(72) Inventor: **Huidan Pan**, Yiwu (CN)
(73) Assignee: **HANGZHOU LANKU TECHNOLOGY CO., LTD.**, Hangzhou (CN)
(**) Term: **15 Years**
(21) Appl. No.: **29/807,477**
(22) Filed: **Sep. 13, 2021**
(51) **LOC (13) Cl.** **23-01**
(52) **U.S. Cl.**
USPC **D23/209**
(58) **Field of Classification Search**
USPC D23/209, 355, 356, 358, 359, 360, 364, D23/365, 366, 367; D30/132
CPC B01D 61/00; B01D 63/00; C02F 2307/02; C02F 2307/03; C02F 2307/05; C02F 2307/04; C02F 2307/06; C02F 2307/10
See application file for complete search history.

D935,552 S * 11/2021 Wang D23/209
D938,006 S * 12/2021 Du D23/365
D947,990 S * 4/2022 Tao D23/209
D949,286 S * 4/2022 Tu D23/209
D949,287 S * 4/2022 Tu D23/209
D949,288 S * 4/2022 Wang D23/209
D958,468 S * 7/2022 Pan D30/132
D958,935 S * 7/2022 Yu D23/209
2019/0135478 A1 * 5/2019 Appendini A45C 11/20

OTHER PUBLICATIONS

Veken Replacement Filters for Automatic Pet Fountain [Aug. 3, 2022] found online [Aug. 3, 2022]—https://www.amazon.com/Veken-Replacement-Automatic-Fountain-Dispenser/dp/B07GND1XPG/ref=asc_df_B07GND1XPG/?tag=&linkCode=df0&hvadid=309764262407&hvpos=&hvnetw=g&hvrnd=14426718033841422684&hvpone=&hvptwo=&hvqmt=&hvdev=c&h.*

* cited by examiner

Primary Examiner — John A Voytek

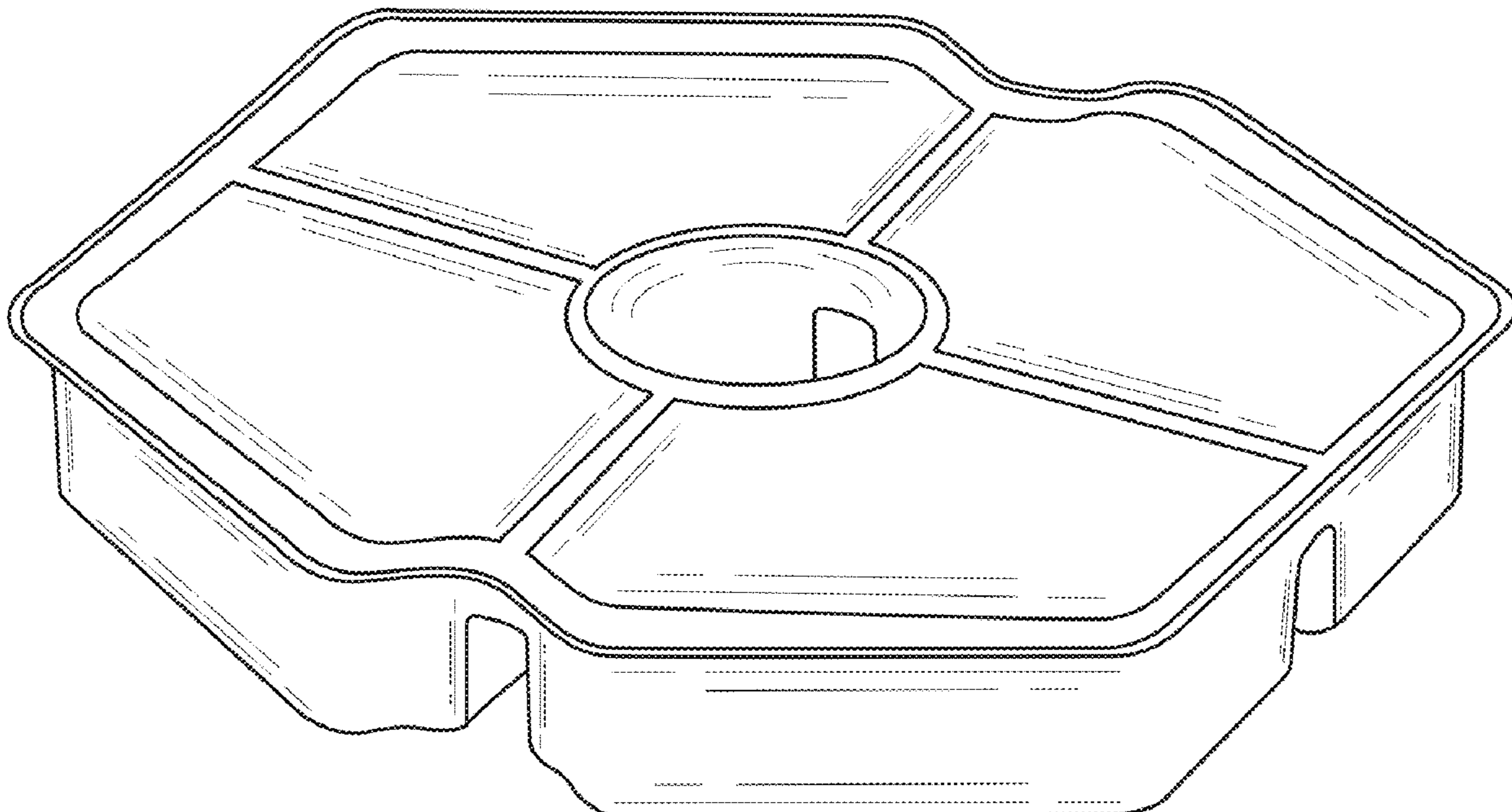
(57) **CLAIM**
The ornamental design for a filter, as shown and described.

DESCRIPTION

FIG. 1 is a perspective view of a filter showing my new design;
FIG. 2 is another perspective view thereof;
FIG. 3 is a front elevational view thereof;
FIG. 4 is a rear elevational view thereof;
FIG. 5 is a left side elevational view thereof;
FIG. 6 is a right side elevational view thereof;
FIG. 7 is a top plan view thereof; and,
FIG. 8 is a bottom plan view thereof.
The broken lines in the drawings depict portions of the filter and form no part of the claimed design.

1 Claim, 8 Drawing Sheets

(56) **References Cited**
U.S. PATENT DOCUMENTS
D729,368 S * 5/2015 Markwick D23/366
D762,833 S * 8/2016 Ogg D23/365
10,165,753 B1 * 1/2019 Huang A01K 7/02
D856,473 S 8/2019 Zou
D875,209 S 2/2020 Zou
D912,763 S * 3/2021 Huang D23/209
D912,766 S * 3/2021 Tu D23/209



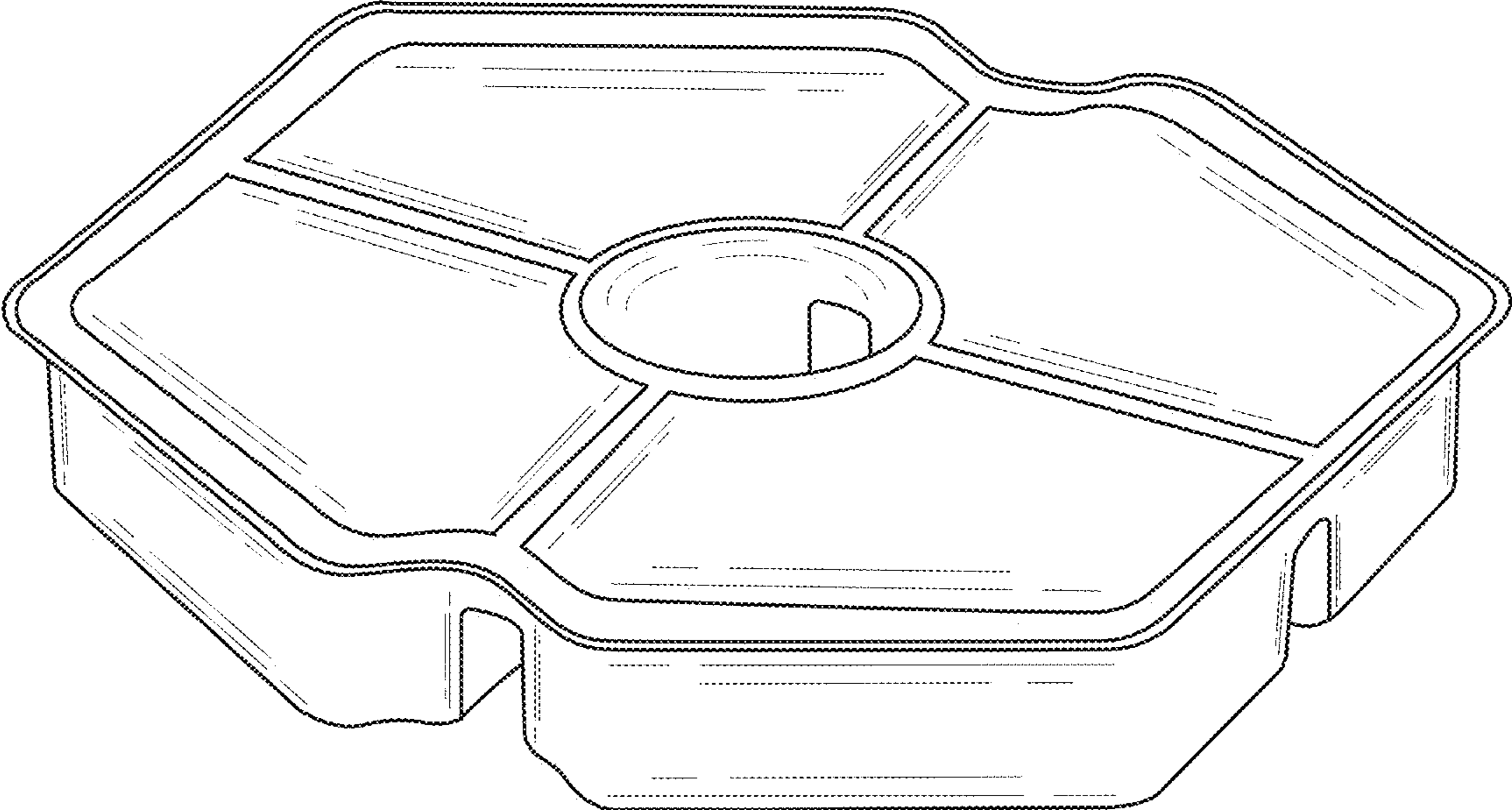


FIG. 1

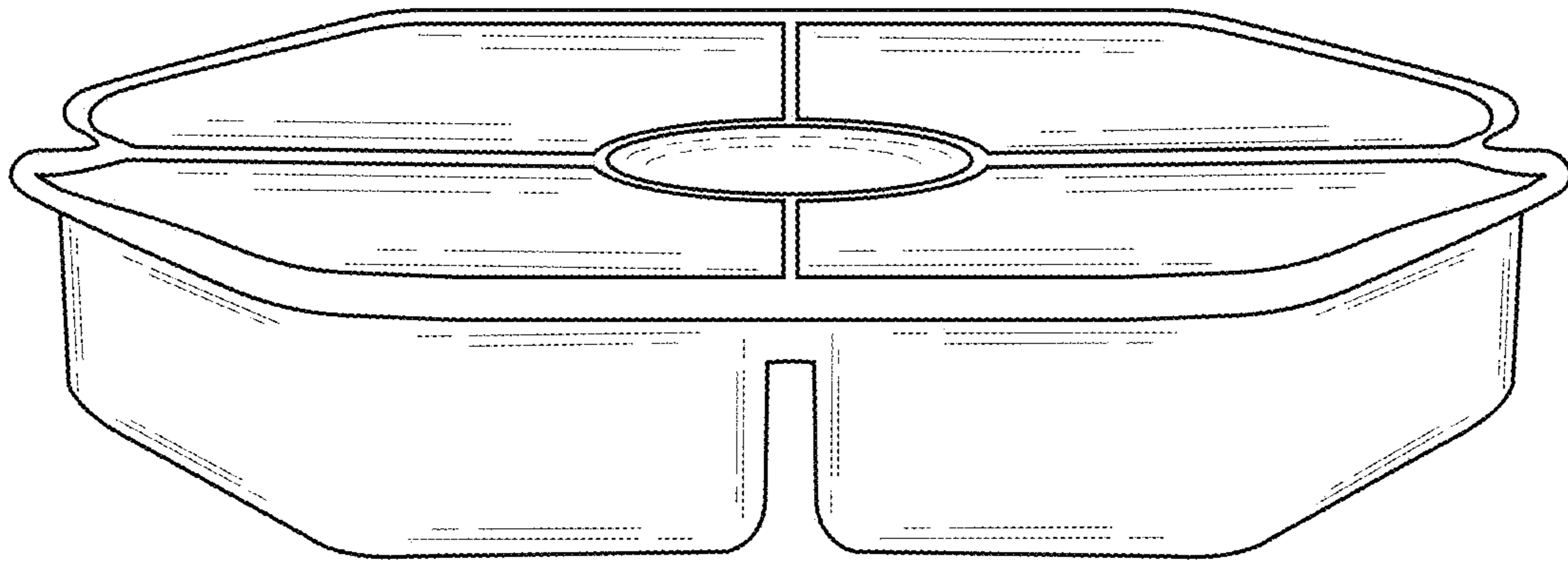


FIG. 2

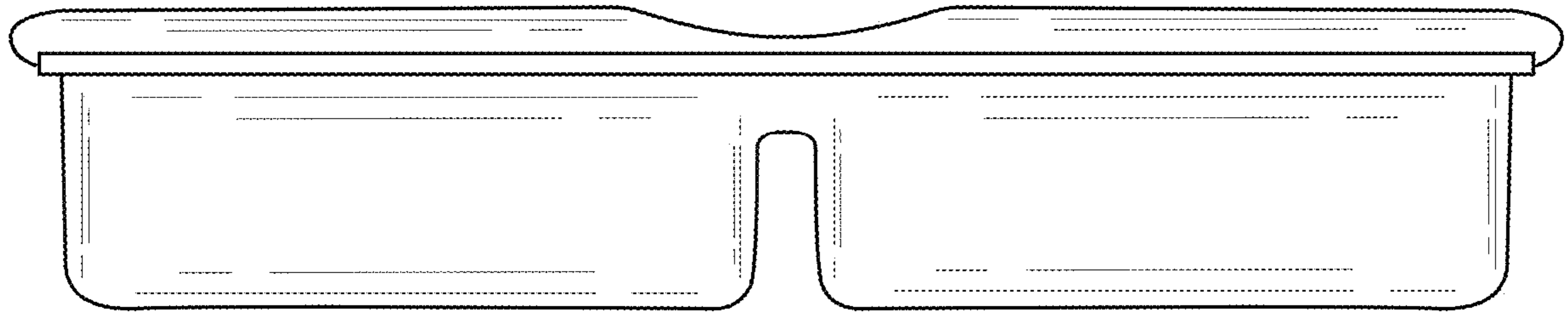


FIG. 3

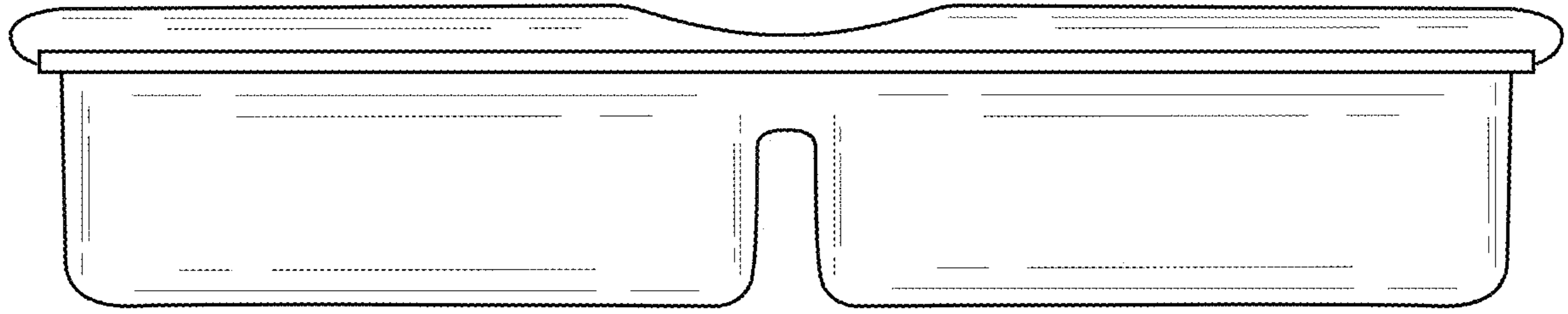


FIG. 4

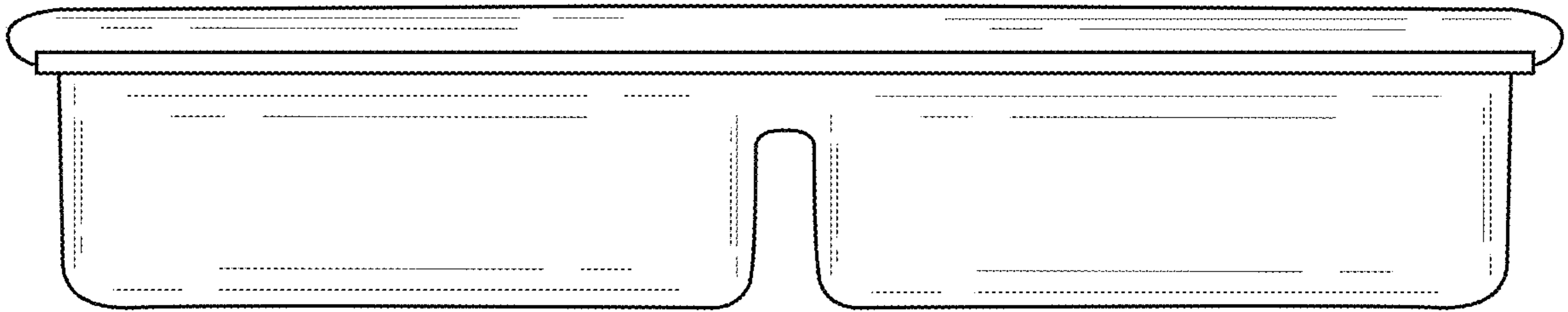


FIG. 5

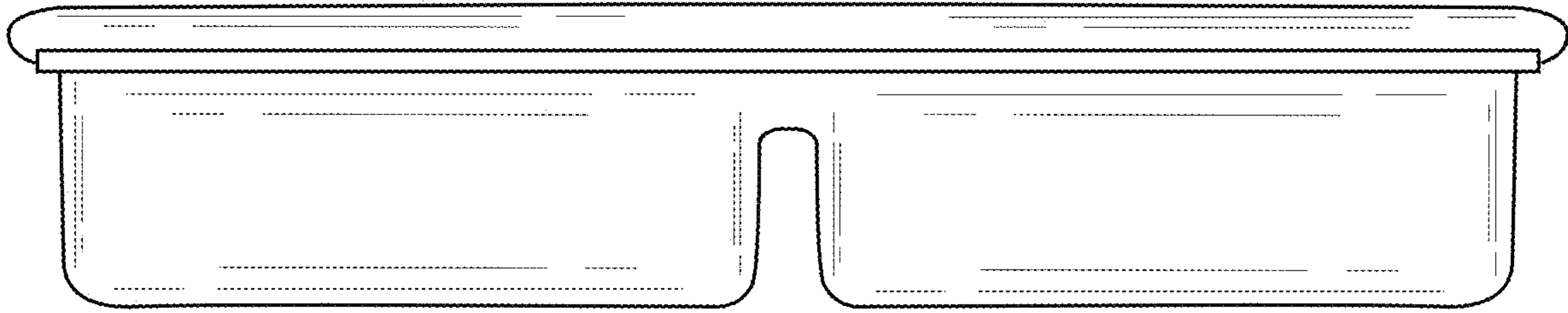


FIG. 6

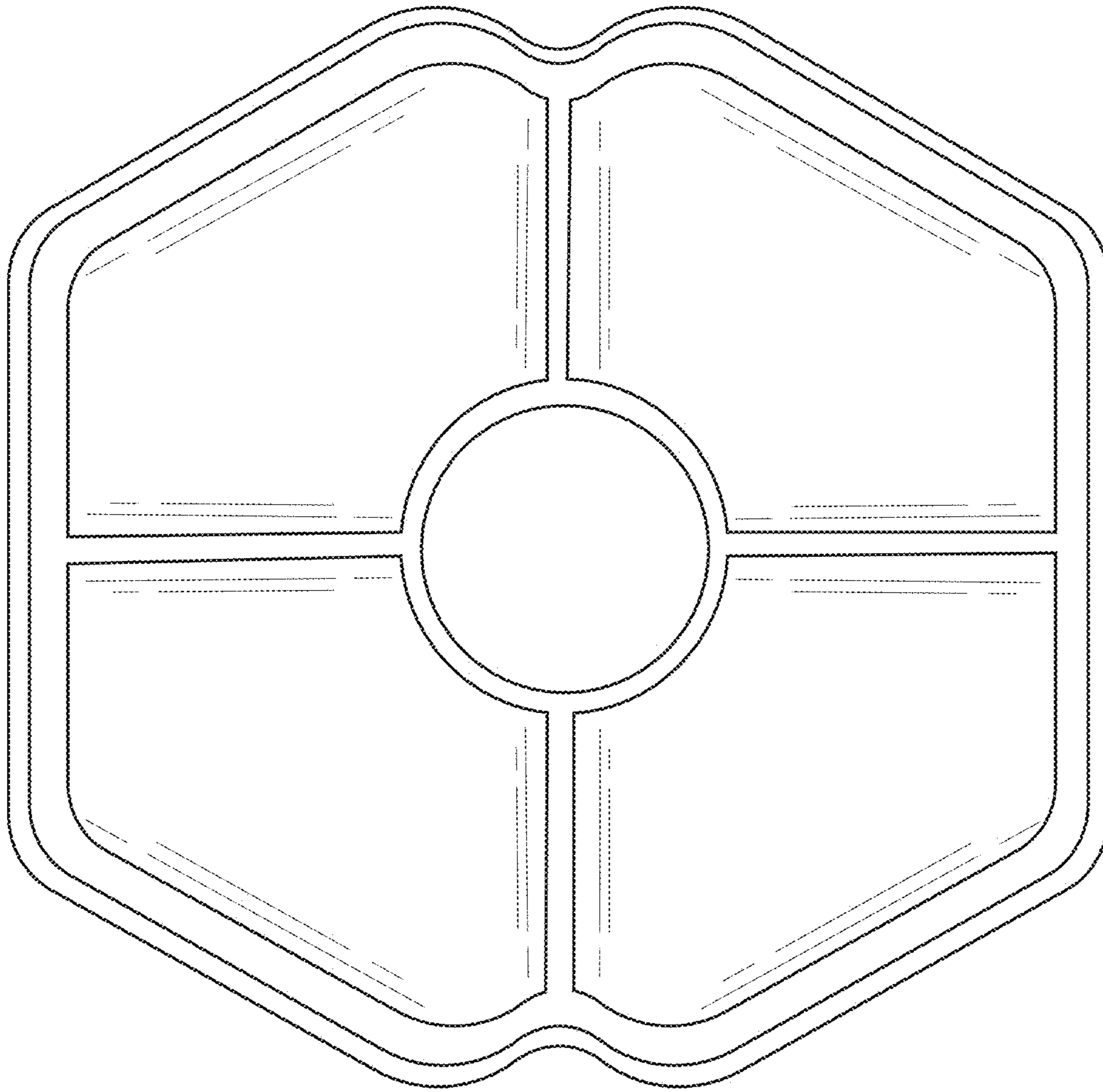


FIG. 7

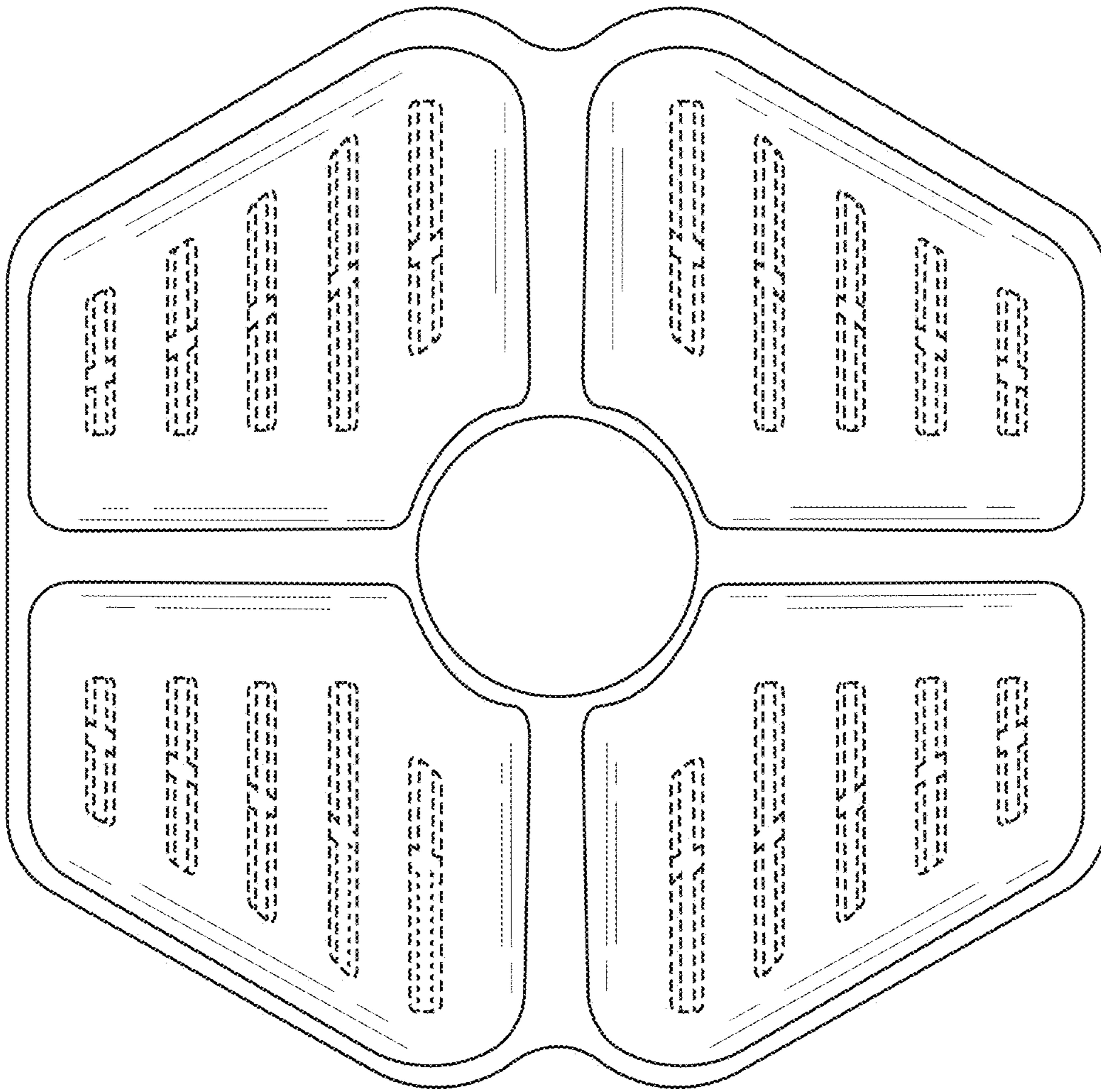


FIG. 8