



US00D972681S

(12) **United States Design Patent** (10) **Patent No.:** **US D972,681 S**
Ren (45) **Date of Patent:** **** Dec. 13, 2022**

(54) **SOLAR POOL IONIZER**
(71) Applicant: **ShangHai Jun Bang Industrial Company Limited, Shanghai (CN)**
(72) Inventor: **Zhouyuan Ren, Shanghai (CN)**
(73) Assignee: **ShangHai Jun Bang Industrial Company Limited, Shanghai (CN)**

(**) Term: **15 Years**
(21) Appl. No.: **29/795,959**
(22) Filed: **Jun. 22, 2021**
(51) **LOC (13) Cl.** **23-01**
(52) **U.S. Cl.**
USPC **D23/207**
(58) **Field of Classification Search**
USPC D23/207, 208, 209, 355, 362, 363, 364, D23/365, 366; D7/306, 307, 311, 312
CPC B01D 27/00; B01D 27/08; B01D 35/306; B01D 35/34; B01D 61/08; B01D 61/081; B01D 2201/29; B01D 2201/291; B01D 2201/4015; B01D 2221/02; C02F 1/003; C02F 9/005; C02F 2307/10; E04H 4/1209; E04H 4/1263; E04H 4/1281
See application file for complete search history.

D731,619 S * 6/2015 Smith D23/209
D736,344 S * 8/2015 Chalifoux D23/208
9,631,388 B2 * 4/2017 Hui E04H 4/1281
D788,878 S * 6/2017 Smith, Jr. D23/207
D794,160 S * 8/2017 Hui D23/207
10,079,504 B2 * 9/2018 Hui H02S 40/38
D882,727 S * 4/2020 Lee D23/207
D894,326 S * 8/2020 Sommerfeld D23/207
2019/0257807 A1 * 8/2019 Witelson G01N 33/1886

OTHER PUBLICATIONS

XtremepowerUS 90119 Solar Purifier, Oct. 12, 2019, Amazon, site visited Sep. 26, 2022: <https://www.amazon.ca/dp/B07YQ9LBNB/> (Year: 2019).*
Suntouch Treasures Solar Pool Maid Ionizer, May 23, 2021, Amazon, site visited Sep. 26, 2022: <https://www.amazon.ca/dp/B092SSWHQR/> (Year: 2021).*

* cited by examiner

Primary Examiner — Eric L Goodman
Assistant Examiner — Bobby W Jones, II

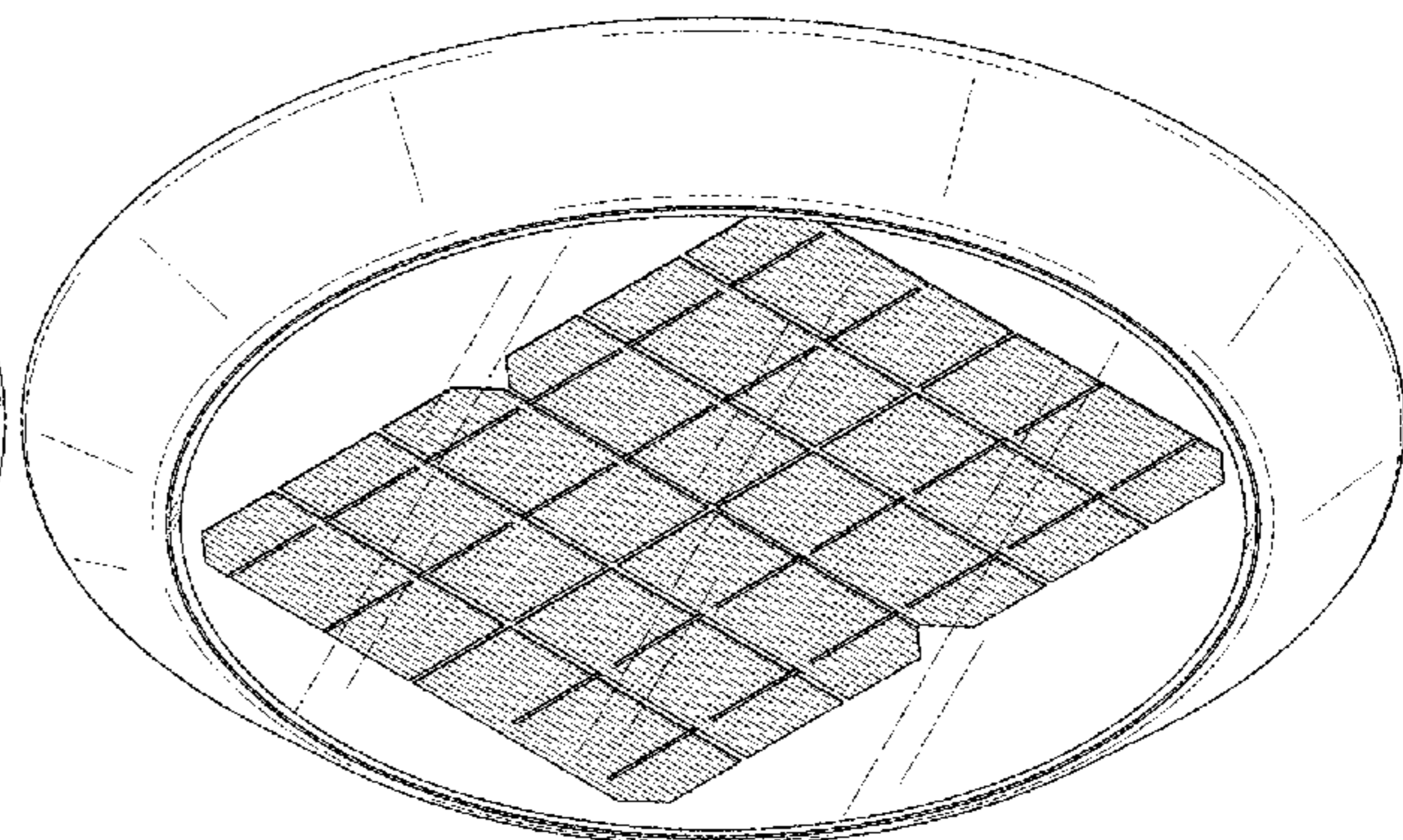
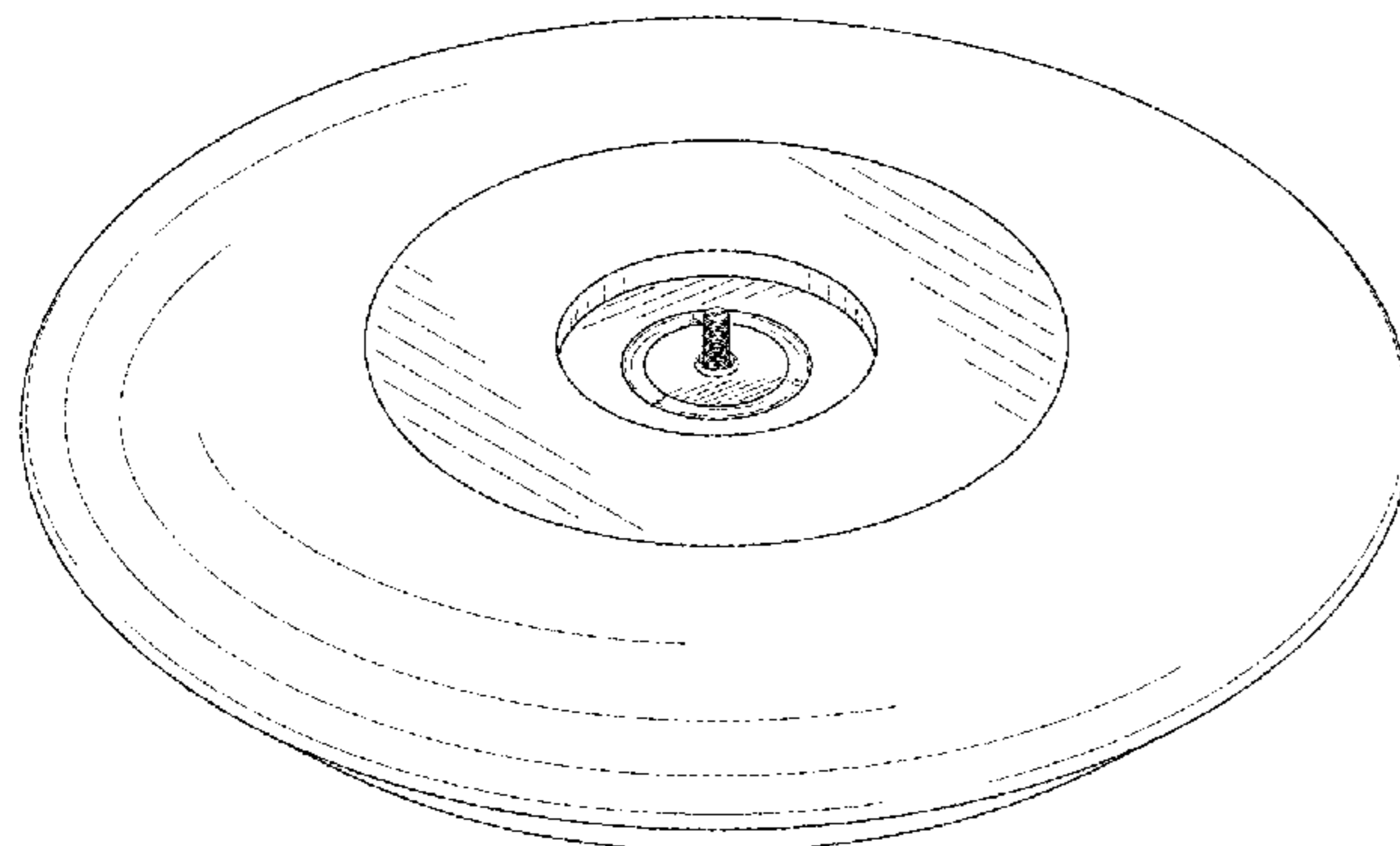
(57) **CLAIM**

The ornamental design for a solar pool ionizer, as shown and described.

DESCRIPTION

FIG. 1 is a front and top perspective view of a solar pool ionizer, showing my new design;
FIG. 2 is a rear and bottom perspective view thereof;
FIG. 3 is a front elevation view thereof;
FIG. 4 is a rear view thereof;
FIG. 5 is a left side elevation view thereof;
FIG. 6 is a right side elevation view thereof;
FIG. 7 is a top plan view thereof; and,
FIG. 8 is a bottom plan view thereof.
The broken lines in the figures illustrate portions of the solar pool ionizer that form no part of the claimed design.

1 Claim, 8 Drawing Sheets



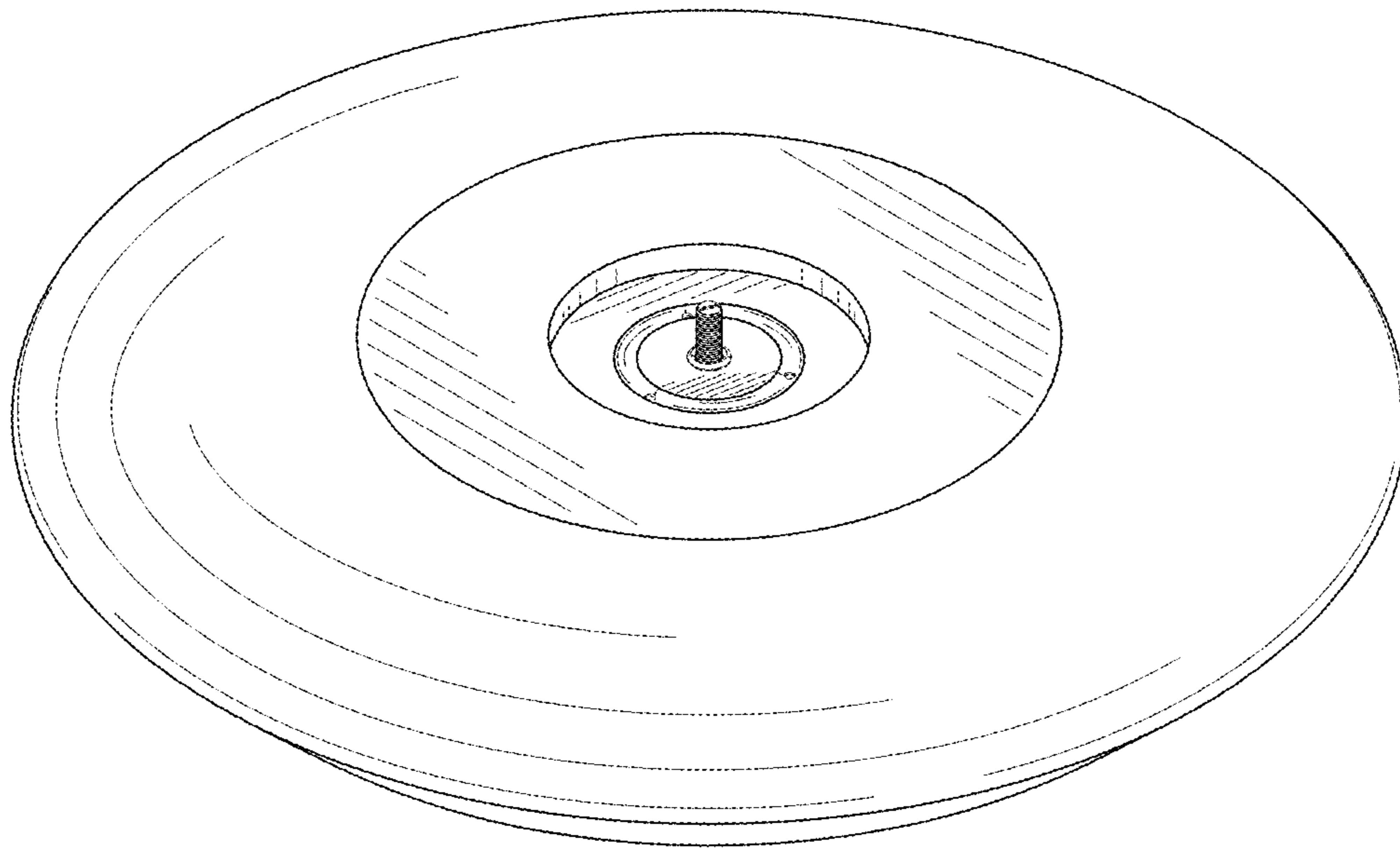


FIG. 1

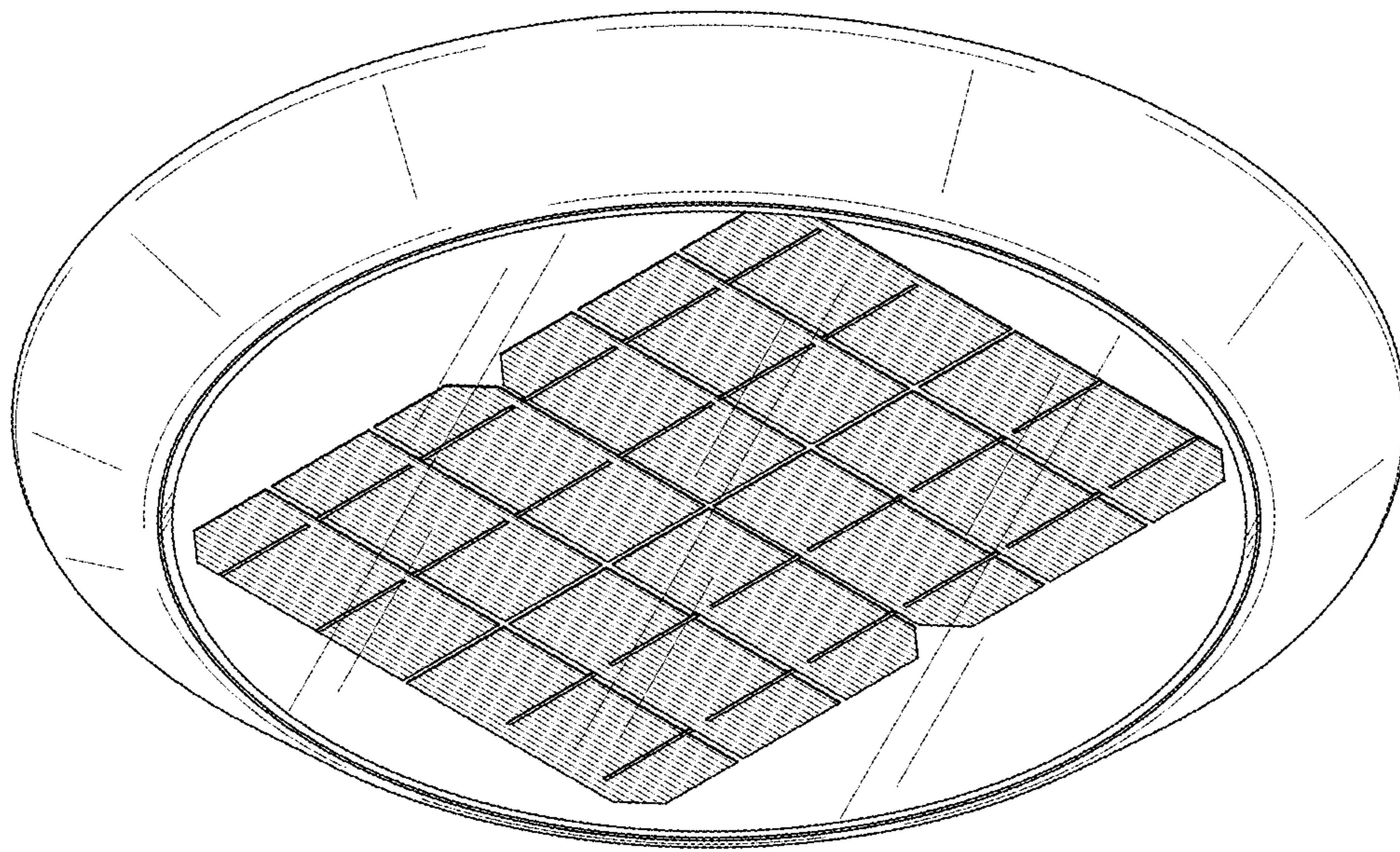


FIG. 2

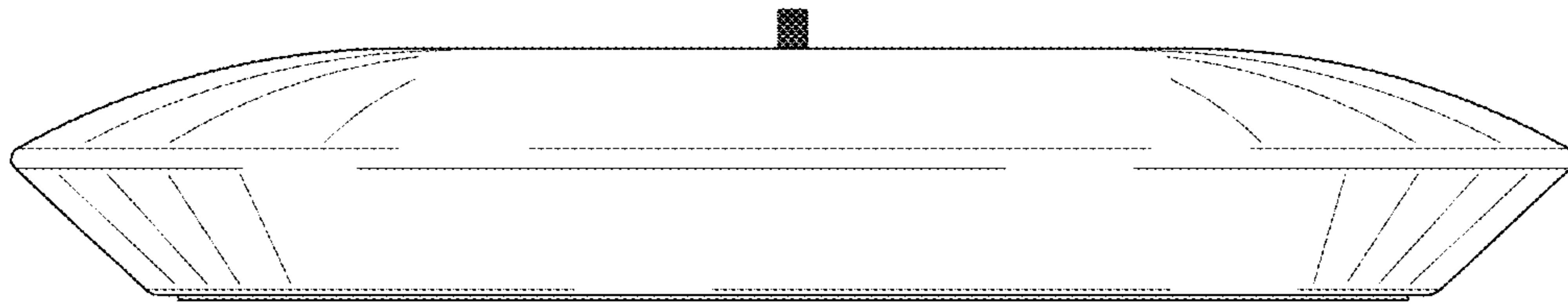


FIG. 3

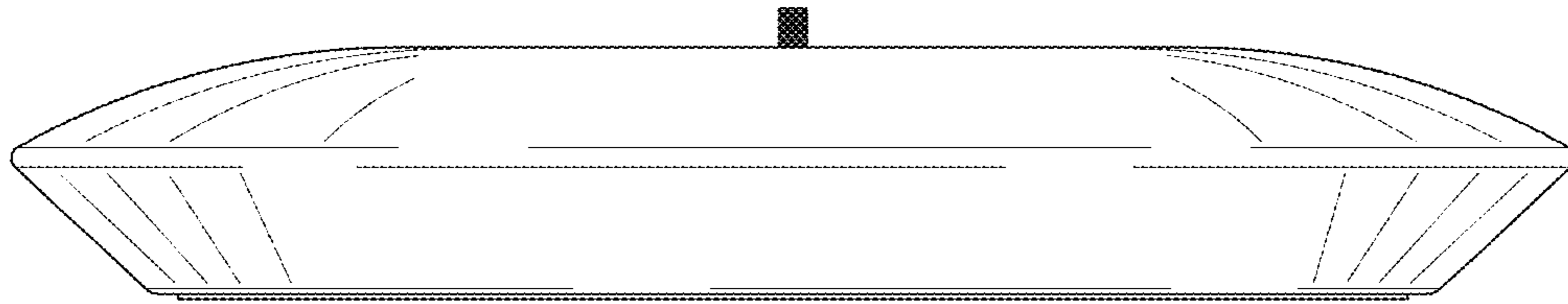


FIG. 4

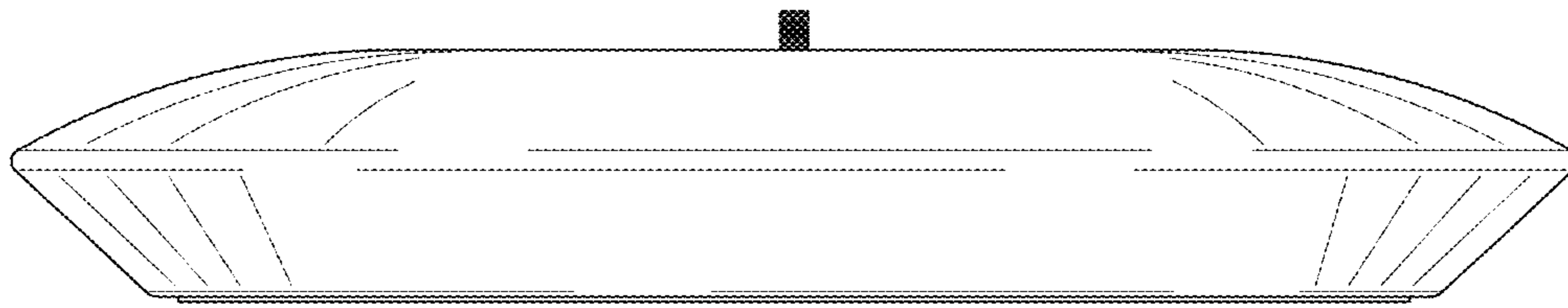


FIG. 5

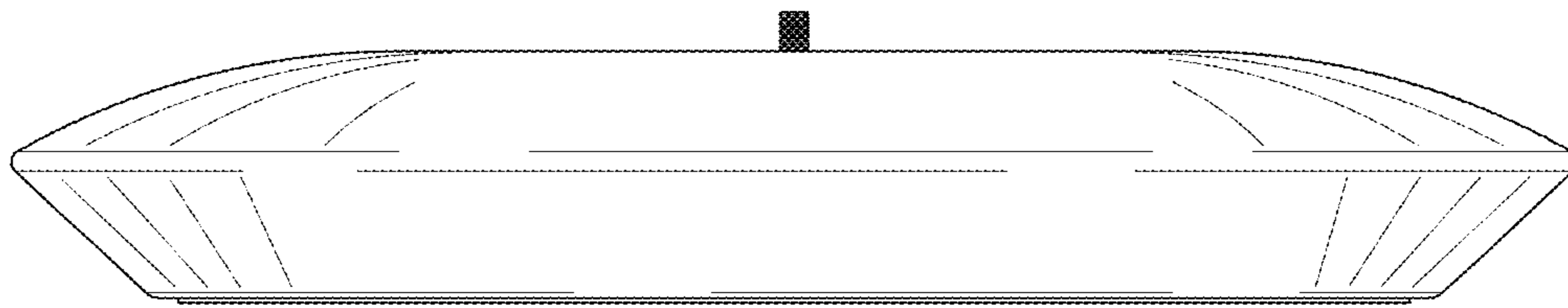


FIG. 6

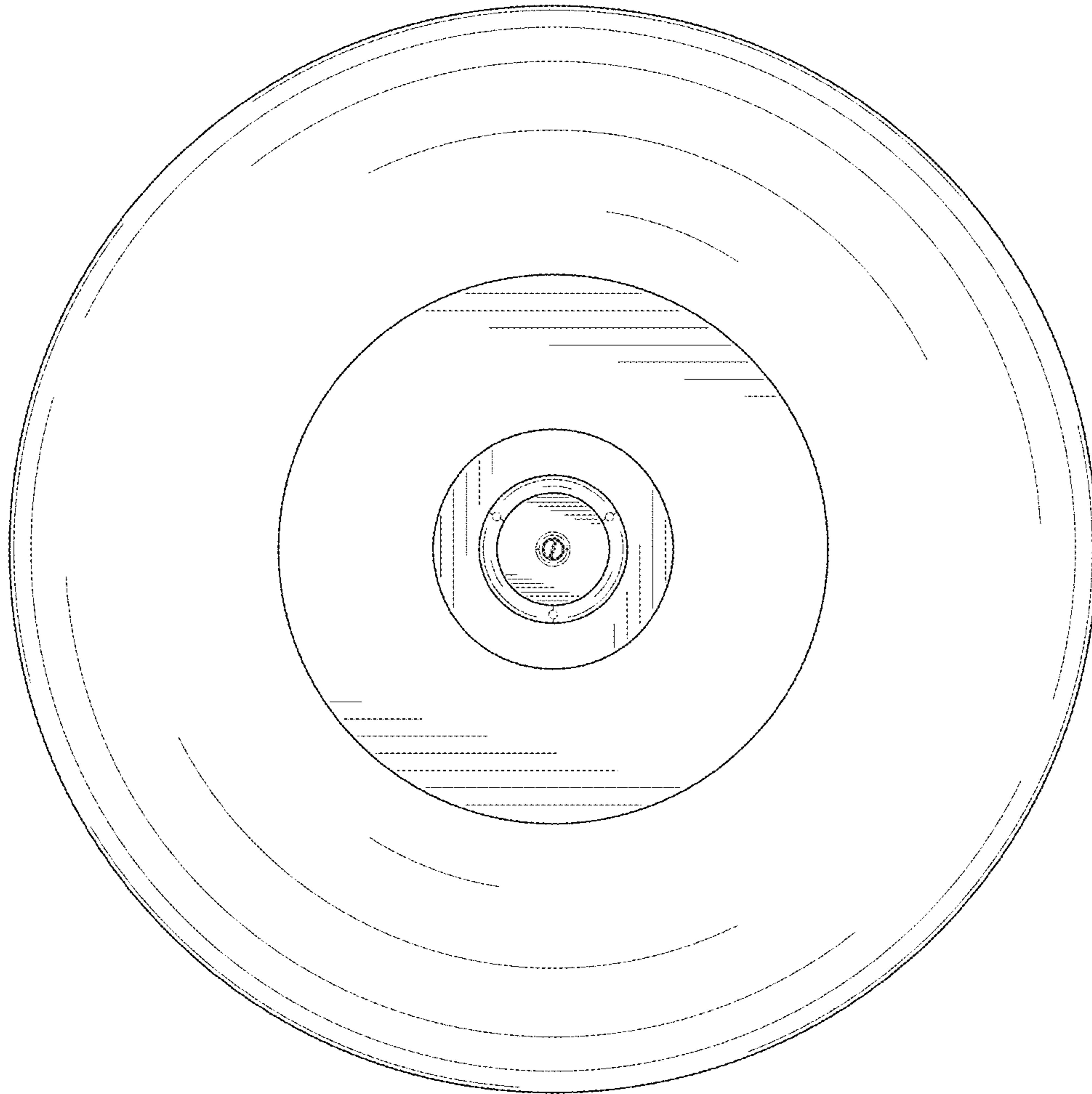


FIG. 7

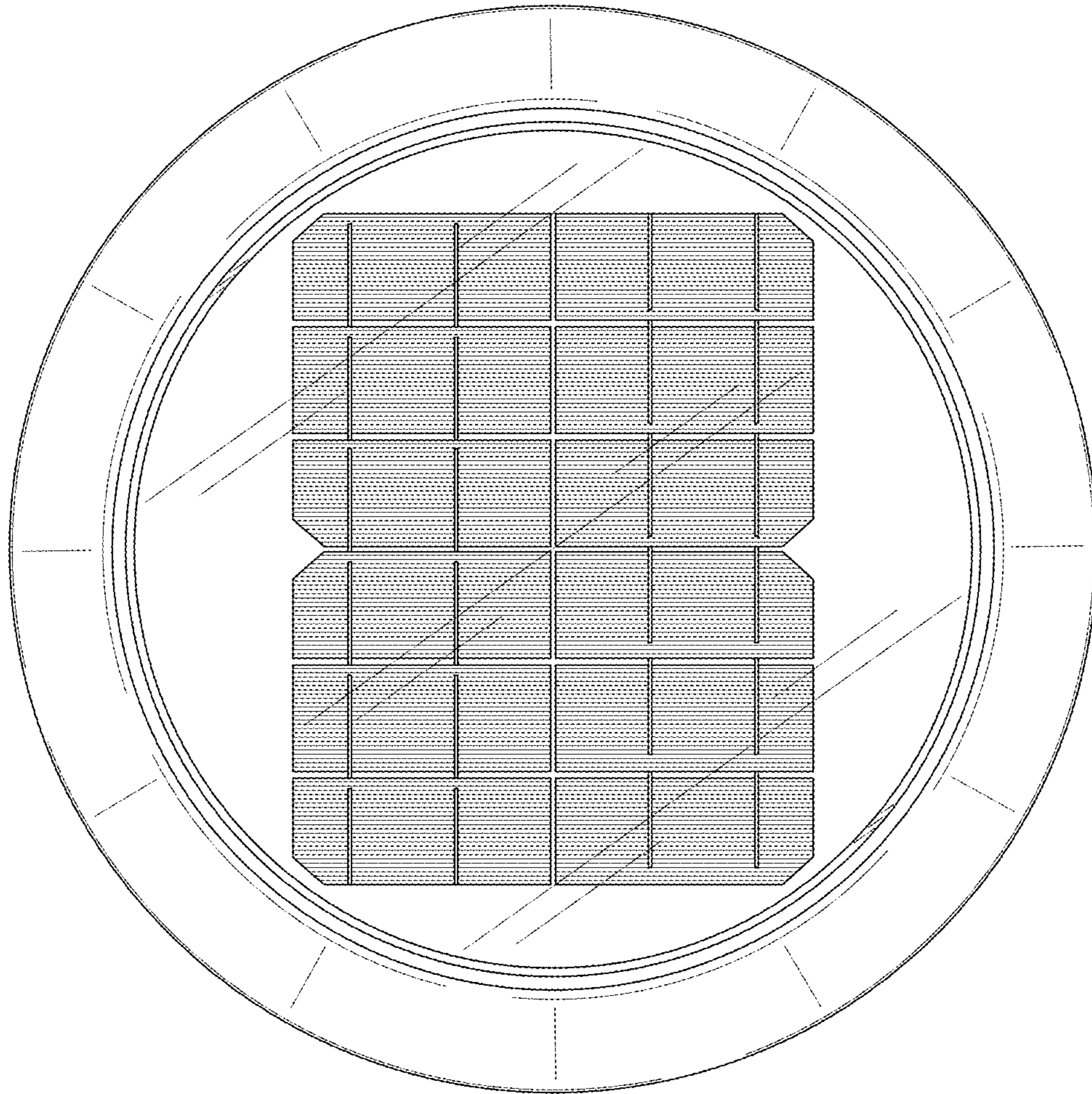


FIG. 8