



US00D972680S

(12) **United States Design Patent** (10) **Patent No.:** **US D972,680 S**
Batiste et al. (45) **Date of Patent:** **** Dec. 13, 2022**

(54) **BRINE TANK**

(71) Applicant: **PURONICS, LLC**, Livermore, CA (US)

(72) Inventors: **Scott Batiste**, Danville, CA (US); **John Gulliford**, Livermore, CA (US)

(73) Assignee: **PURONICS, LLC**, Livermore, CA (US)

(**) Term: **15 Years**

(21) Appl. No.: **29/754,288**

(22) Filed: **Oct. 8, 2020**

(51) **LOC (13) Cl.** **23-01**

(52) **U.S. Cl.**
USPC **D23/202**

(58) **Field of Classification Search**
USPC D23/202, 207, 209, 213, 222, 225, 354, D23/355, 356, 357, 358, 359, 360, 361, D23/362, 363, 364, 365, 272, 273; D30/121, 122, 123, 124, 125, 126, 127, D30/128, 129, 130, 132, 133
CPC ... B29L 2031/7154; B65D 2543/00944; C02F 2201/00; C02F 2001/425; C02F 2203/00; C02F 2001/007
See application file for complete search history.

(56) **References Cited**

U.S. PATENT DOCUMENTS

2,114,204 A 4/1938 Allyne
4,163,503 A 8/1979 McKinnon
(Continued)

FOREIGN PATENT DOCUMENTS

CN 106824036 A 6/2017
JP 2007512194 A 5/2007

OTHER PUBLICATIONS

U.S. Appl. No. 17/066,327 Office Action dated Apr. 7, 2021.
(Continued)

Primary Examiner — Karen S Acker

Assistant Examiner — Jonathan E Fiencke

(74) *Attorney, Agent, or Firm* — Faegre Drinker Biddle & Reath LLP

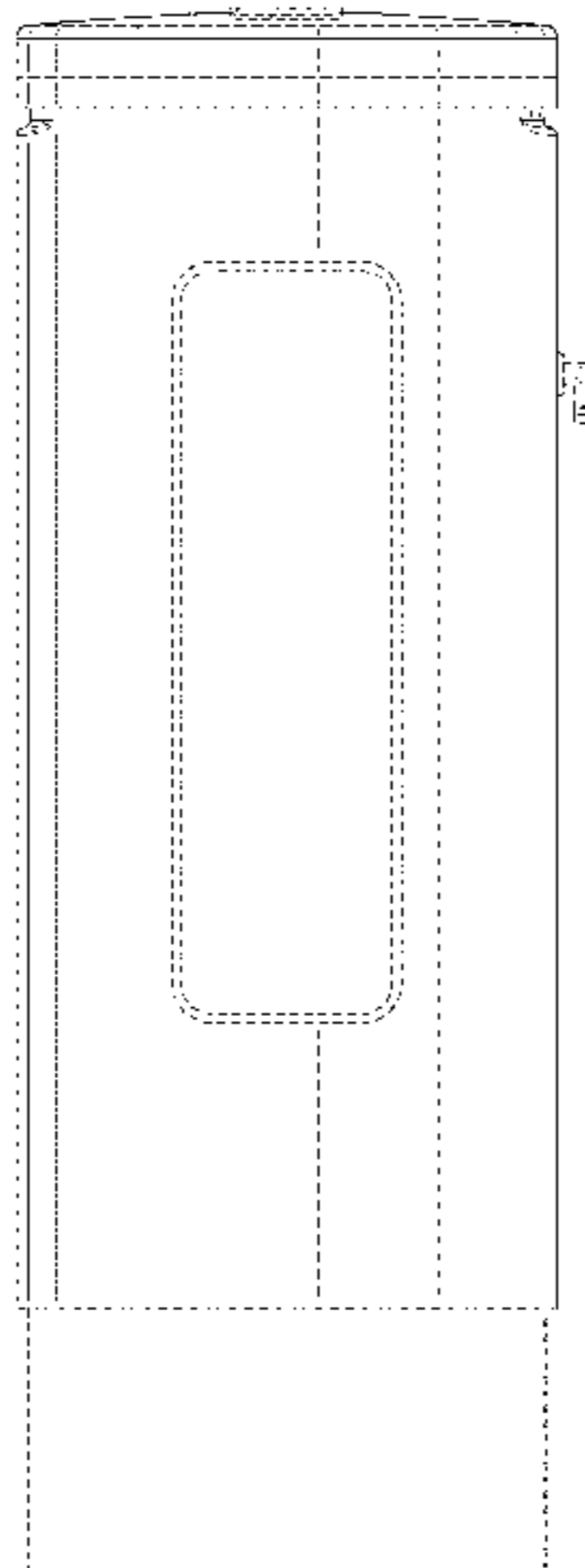
(57) **CLAIM**

The ornamental design for a brine tank, as shown and described.

DESCRIPTION

FIG. 1 is a front perspective view of a brine tank, showing our new design;
FIG. 2 is a front view thereof;
FIG. 3 is a back view thereof;
FIG. 4 is a left side view thereof;
FIG. 5 is a right side view thereof;
FIG. 6 is a top plan view thereof; and
FIG. 7 is a bottom plan view thereof.
FIG. 8 is a bottom perspective view of the lid portion of the brine tank of FIG. 1;
FIG. 9 is a front view thereof;
FIG. 10 is a back view thereof;
FIG. 11 is a left side view thereof;
FIG. 12 is a right side view thereof;
FIG. 13 is a top plan view thereof; and
FIG. 14 is a bottom plan view thereof.
FIG. 15 is a front perspective view of the body portion of the brine tank of FIG. 1;
FIG. 16 is a front view thereof;
FIG. 17 is a back view thereof;
FIG. 18 is a left side view thereof;
FIG. 19 is a right side view thereof;
FIG. 20 is a top plan view thereof; and
FIG. 21 is a bottom plan view thereof.
The broken lines and unshaded areas within the broken lines depict portions of the brine tank that form no part of the claimed design.

1 Claim, 16 Drawing Sheets



(56)

References Cited

U.S. PATENT DOCUMENTS

5,547,586 A * 8/1996 Halperin C02F 1/002
210/686

5,651,880 A 7/1997 Johnson

5,727,707 A 3/1998 Wickland et al.

6,458,272 B2 10/2002 Peddicord

D556,293 S * 11/2007 Daley E03F 5/22
D23/203

D838,807 S * 1/2019 Bauermann B01J 49/85
D23/206

D845,456 S * 4/2019 Swanson D23/359

D860,385 S * 9/2019 Beltrán Carrasco D23/202

D934,774 S * 11/2021 Fellman D12/218

D952,819 S * 5/2022 Yang D23/364

2015/0028042 A1 * 1/2015 Pantelleria B65D 1/265
156/218

2015/0218026 A1 * 8/2015 Yamaoka B01J 49/85
210/123

2015/0258476 A1 * 9/2015 Boyce B01D 35/30
210/111

2016/0052687 A1 * 2/2016 Stolzman B29C 65/4815
156/293

2022/0112101 A1 * 4/2022 Batiste C02F 1/42

OTHER PUBLICATIONS

Brine Tanks & Cabinets. Clack Corporation. Accessed on Oct. 7, 2020. Available at <http://www.clackcorp.com/water-treatment-brine-tanks-cabinets/>.

Co-pending U.S. Appl. No. 17/066,327, inventors Batiste; Scott et al., filed Oct. 8, 2020.

* cited by examiner

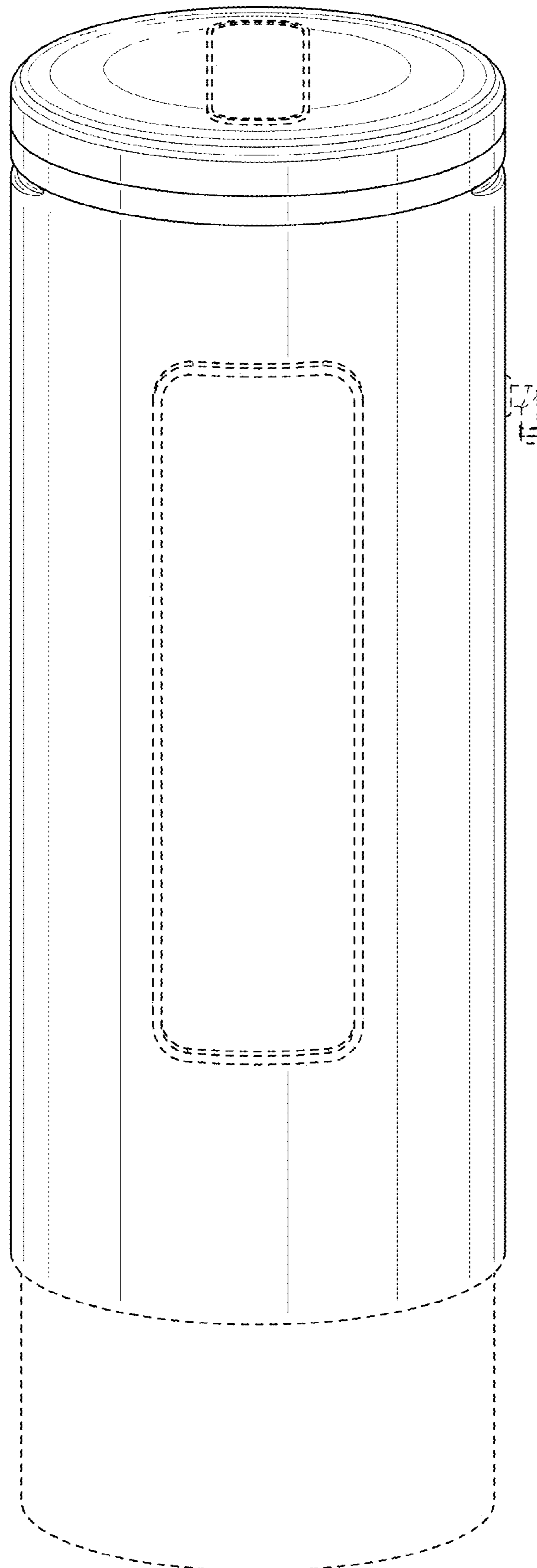


FIG. 1

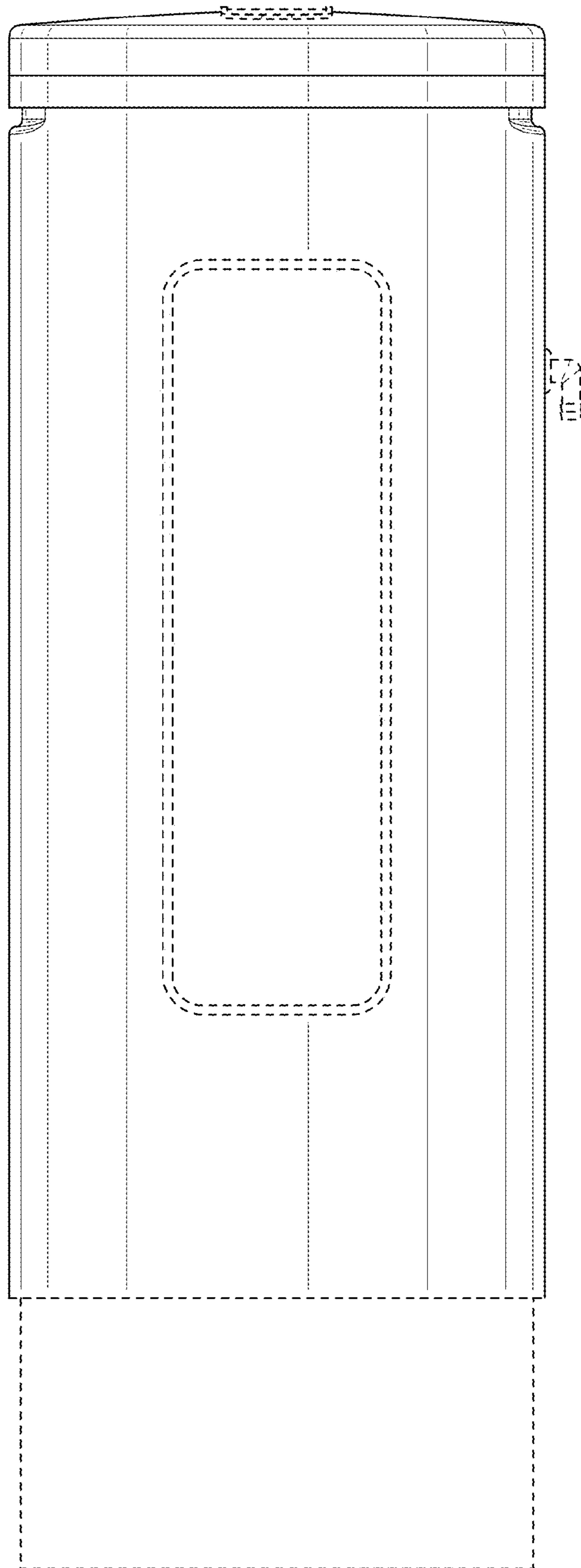


FIG. 2

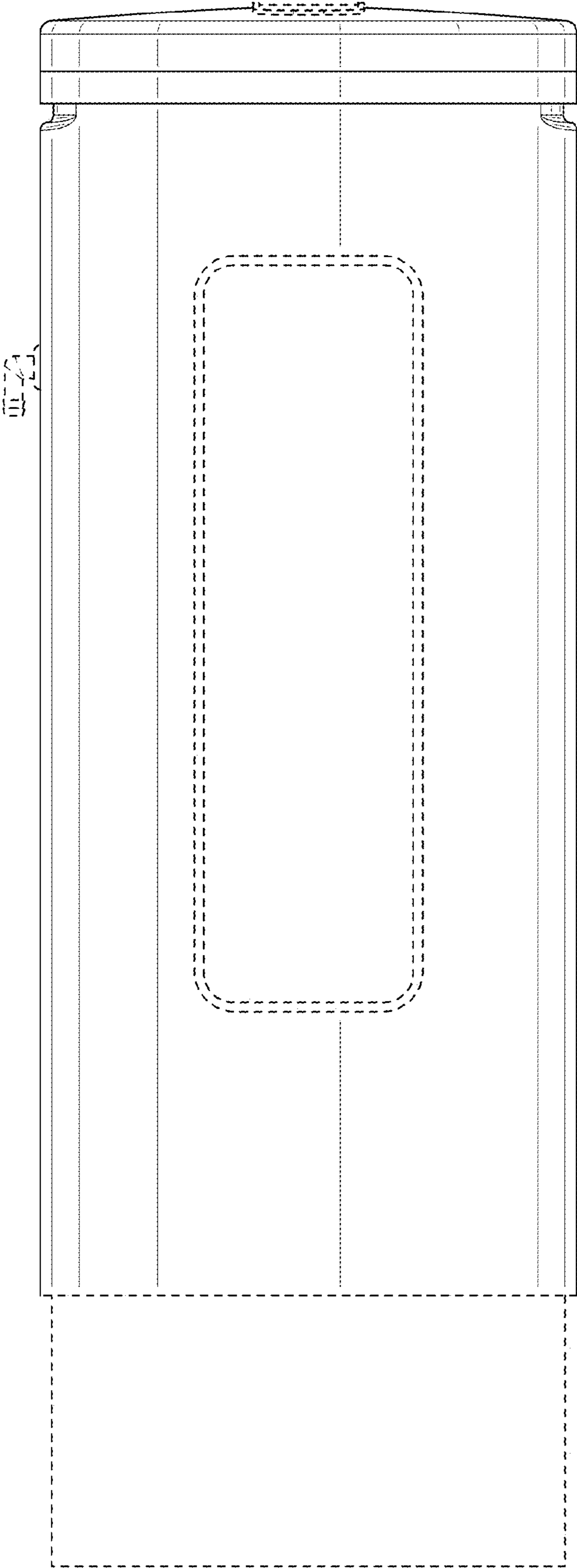


FIG. 3

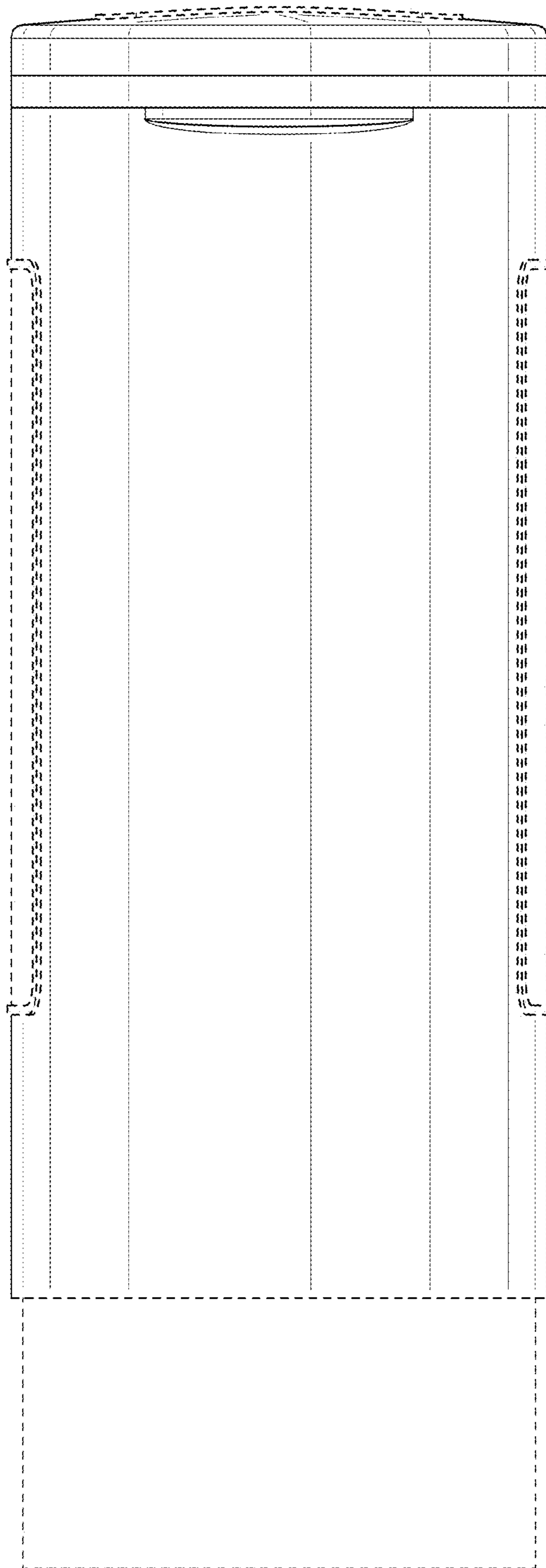


FIG. 4

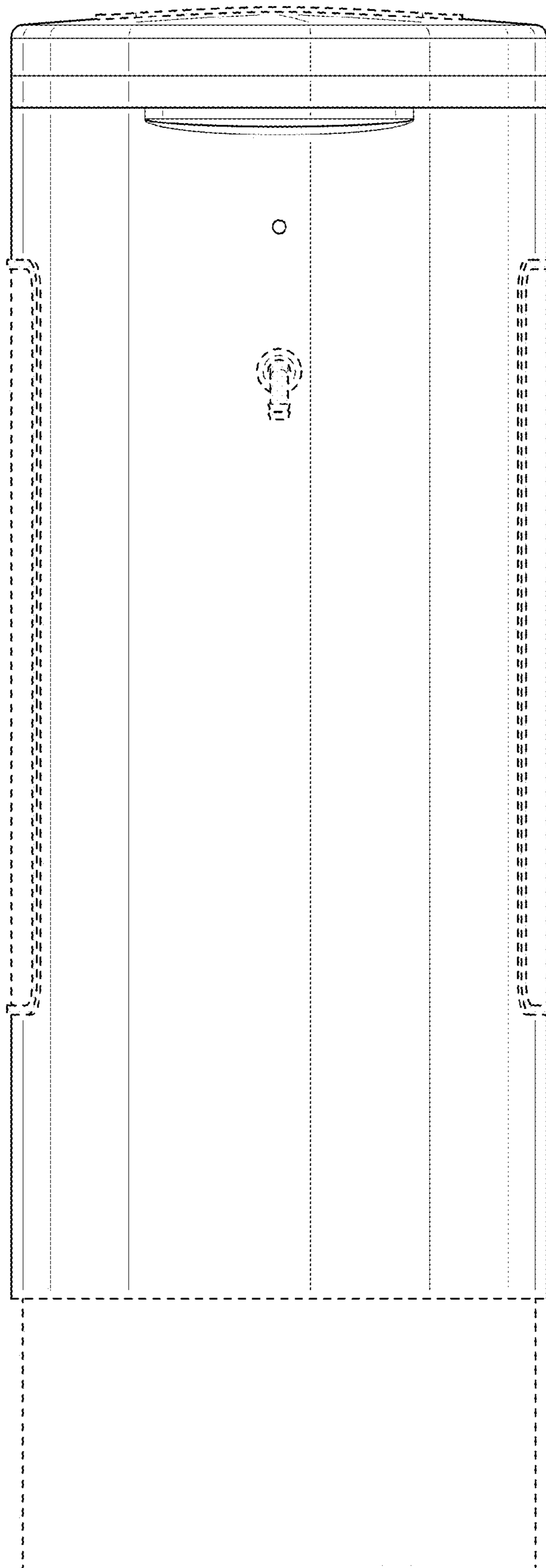


FIG. 5

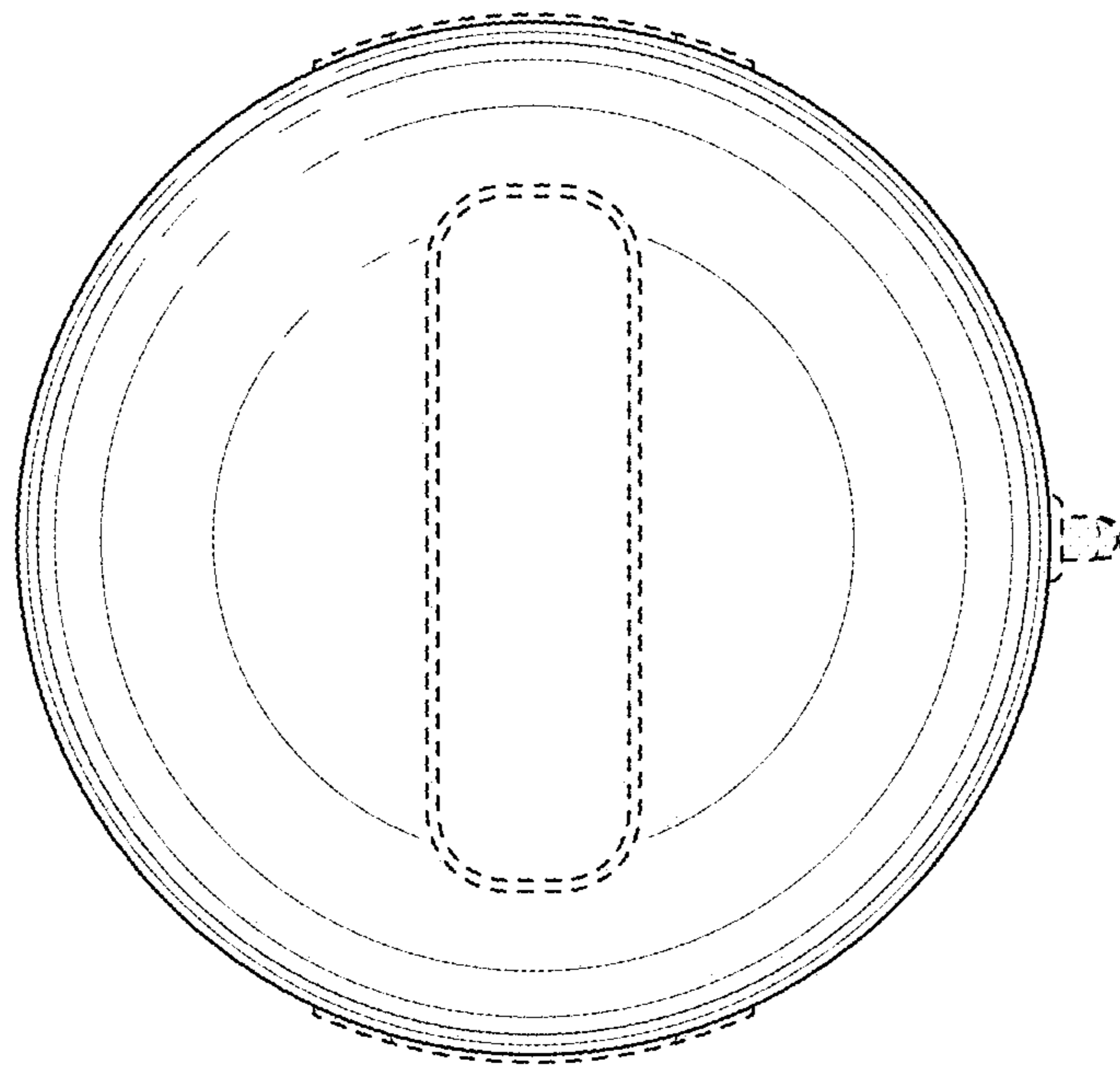


FIG. 6

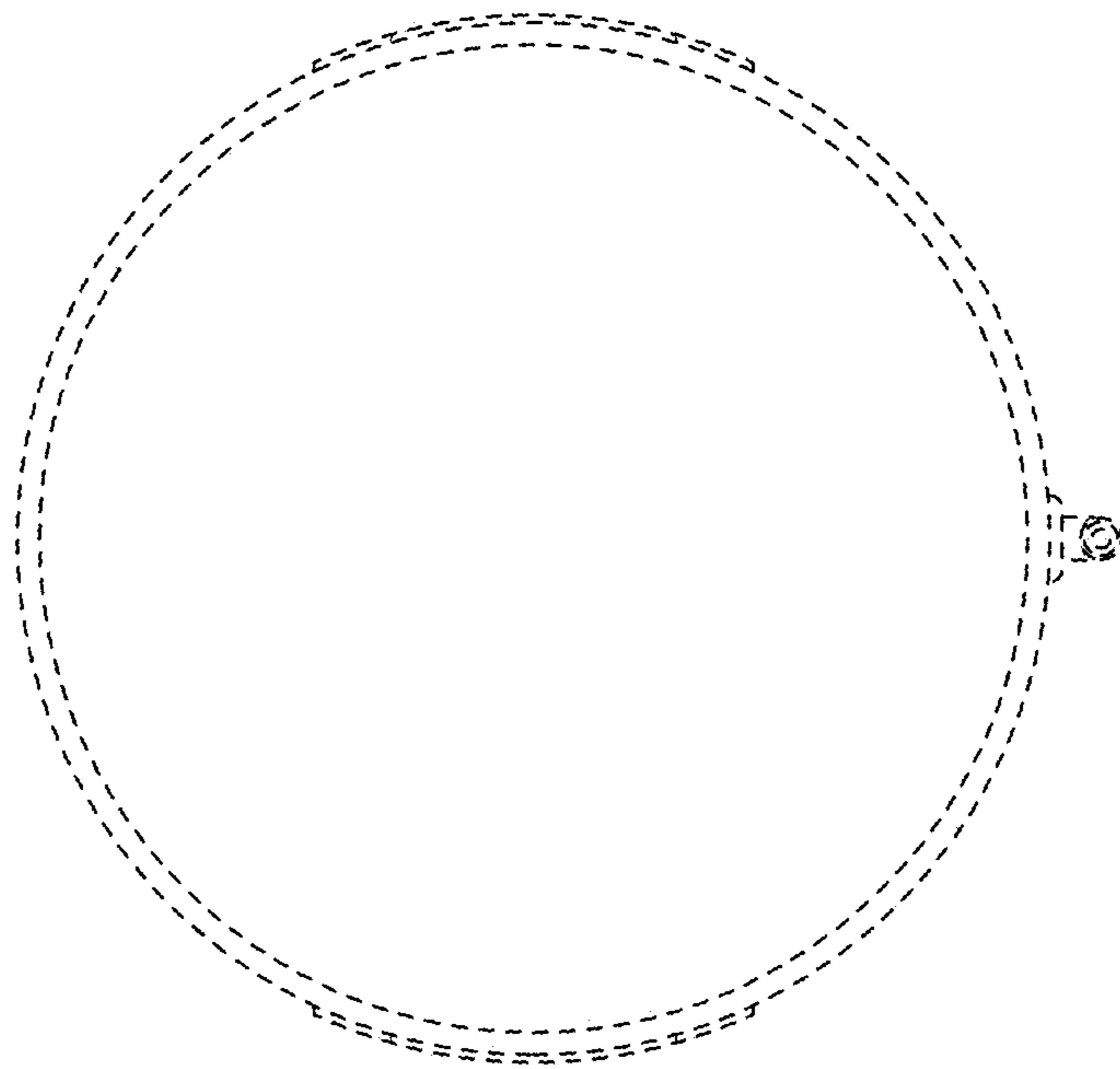


FIG. 7

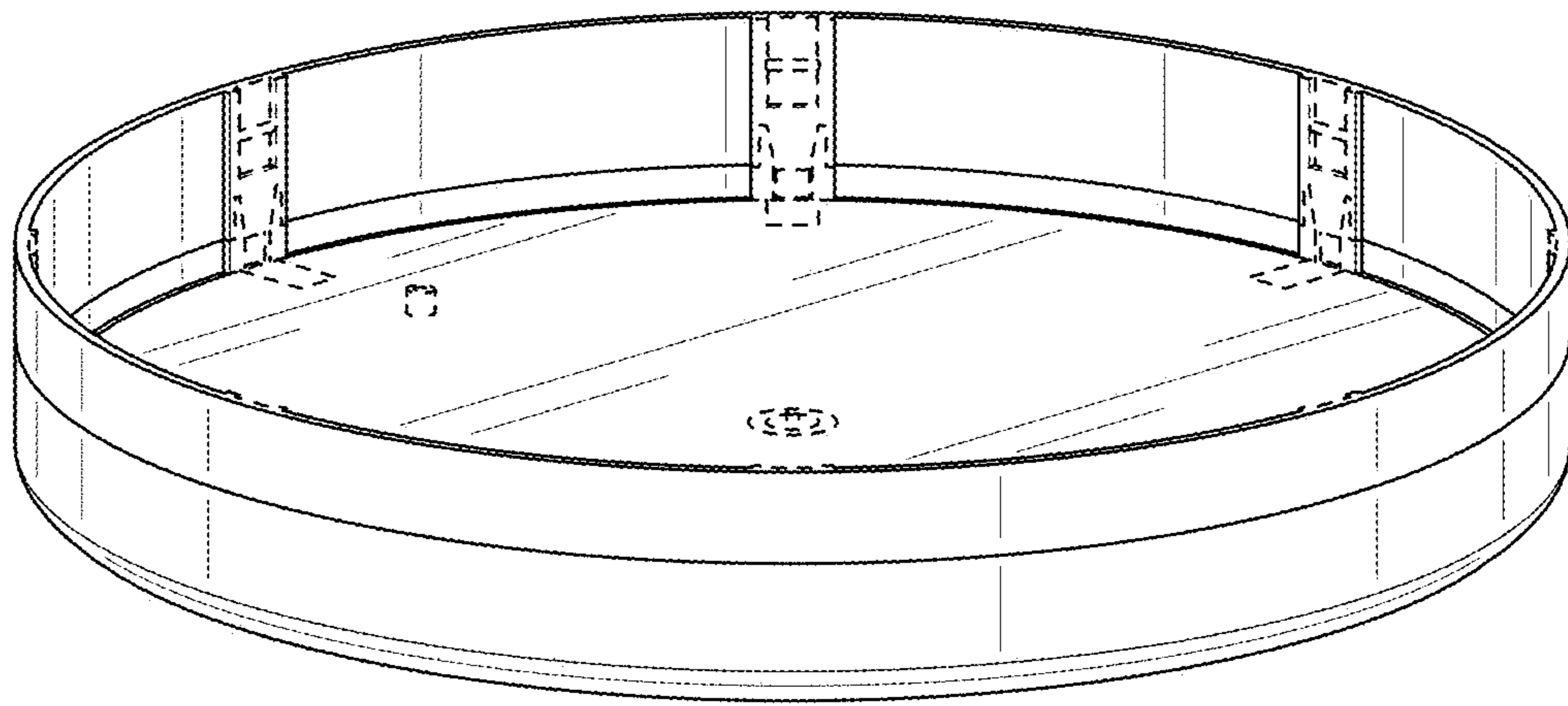


FIG. 8

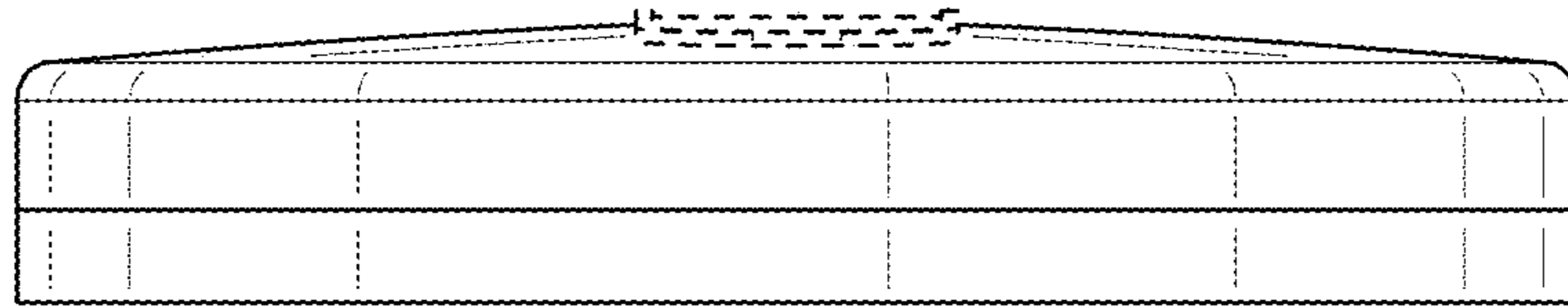


FIG. 9

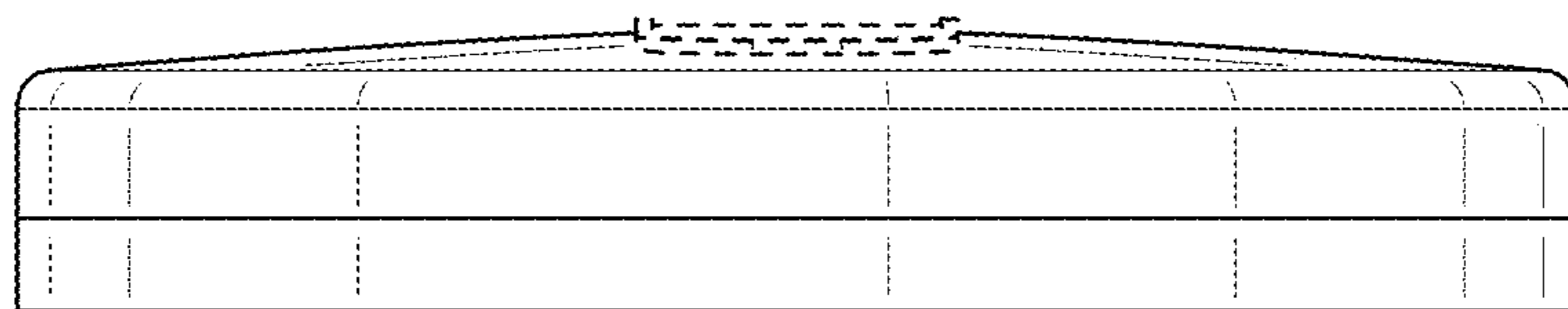


FIG. 10

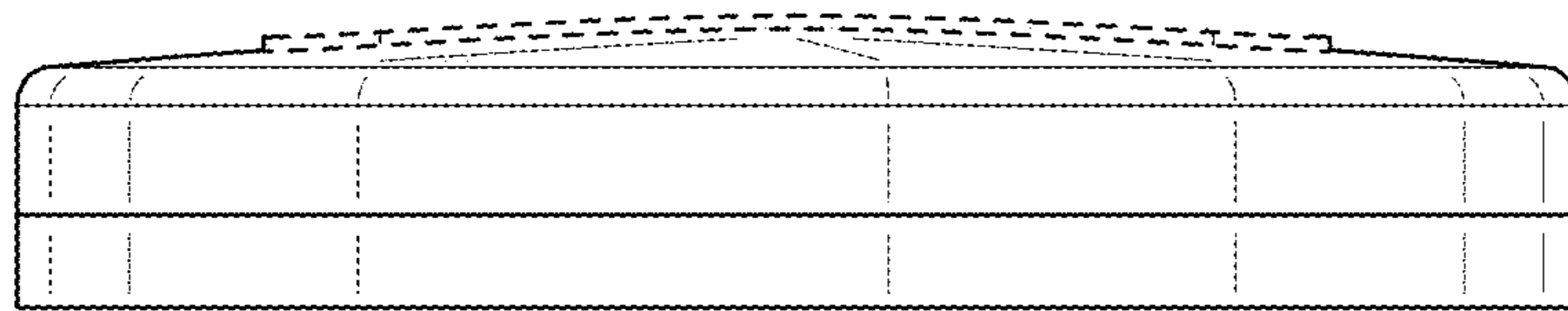


FIG. 11

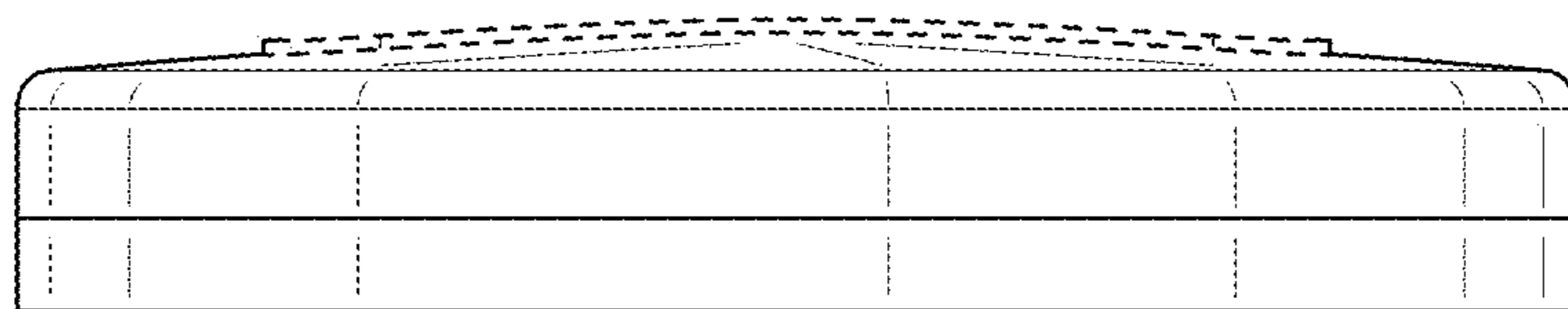


FIG. 12

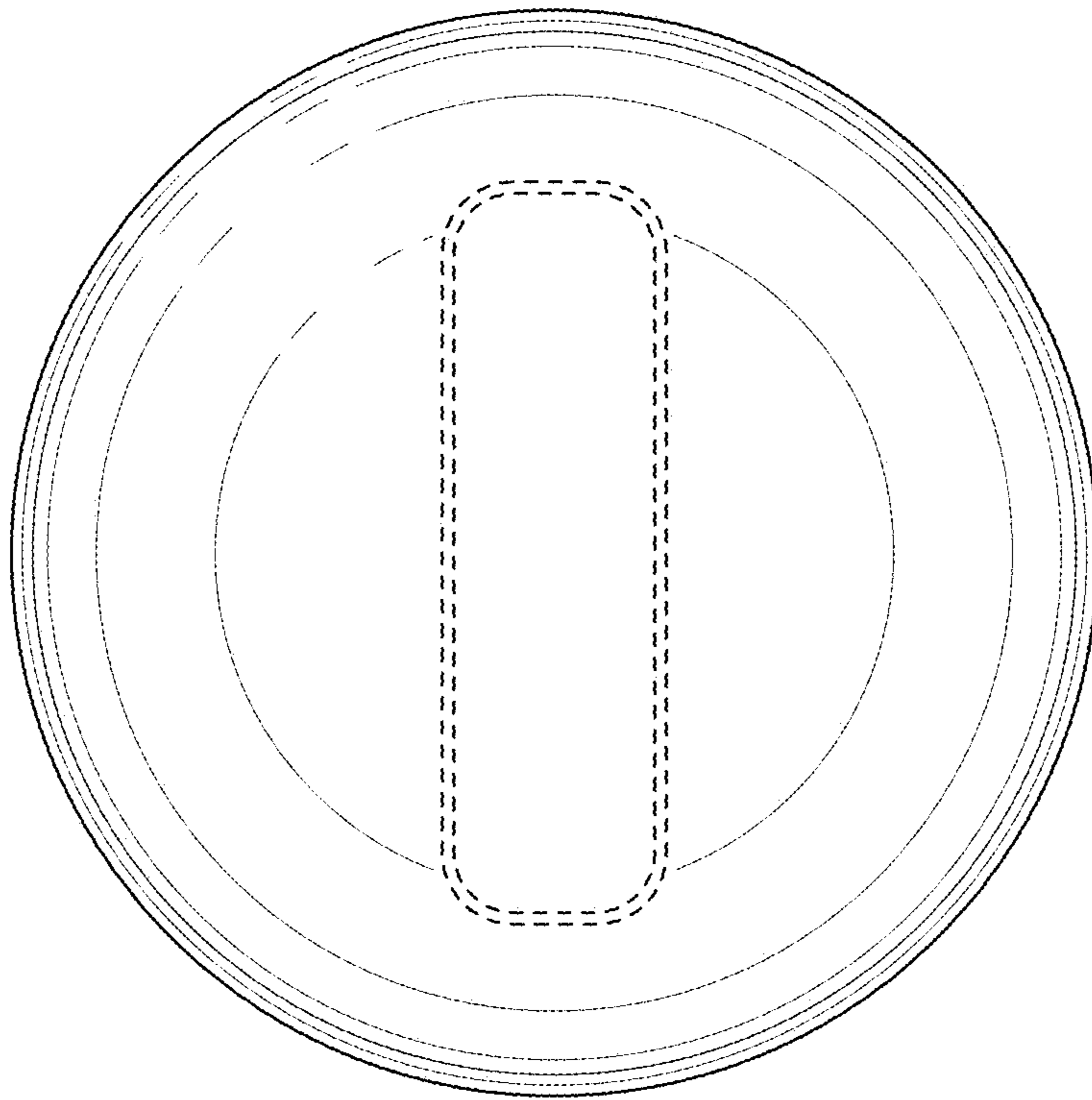


FIG. 13

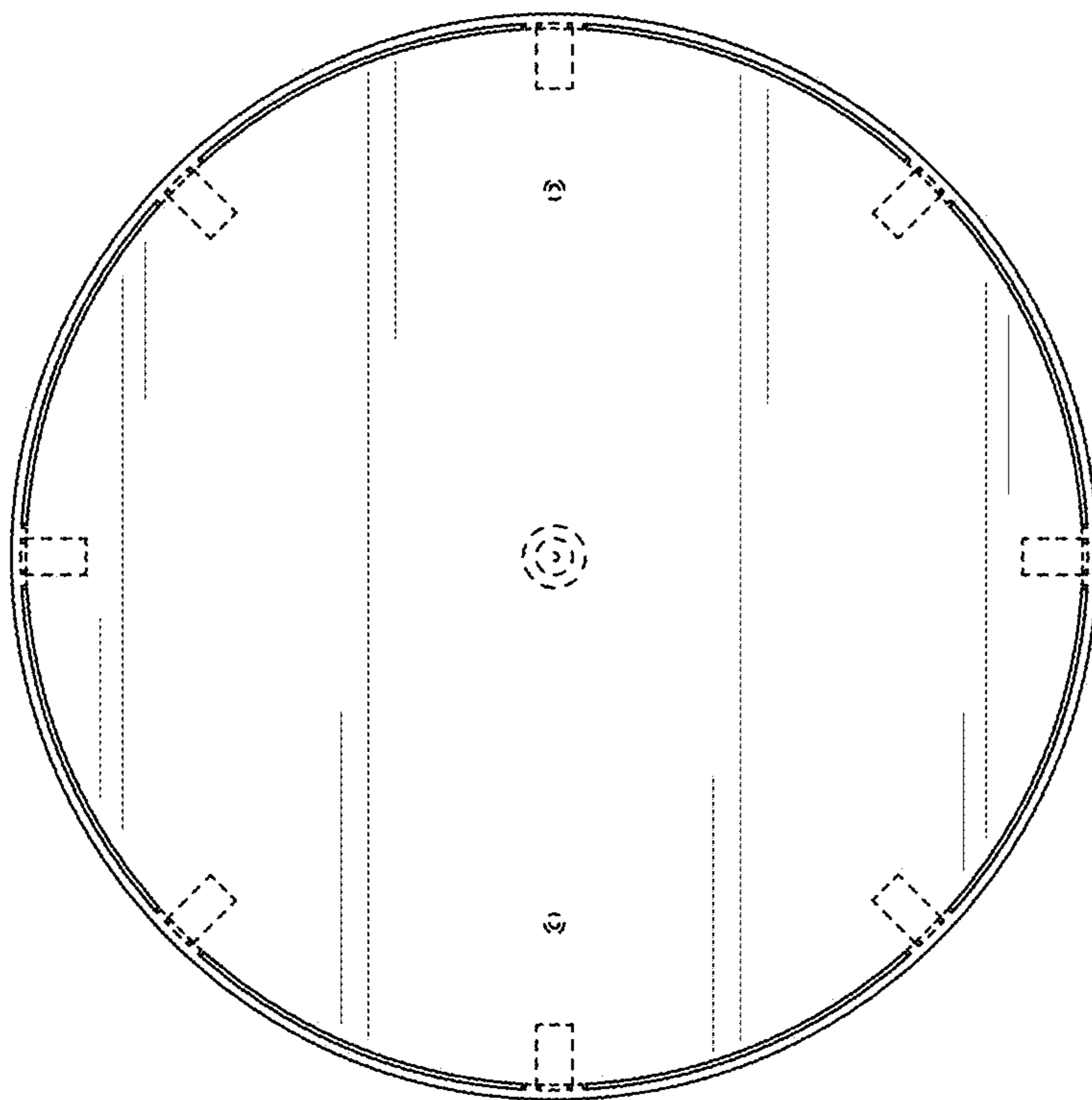


FIG. 14

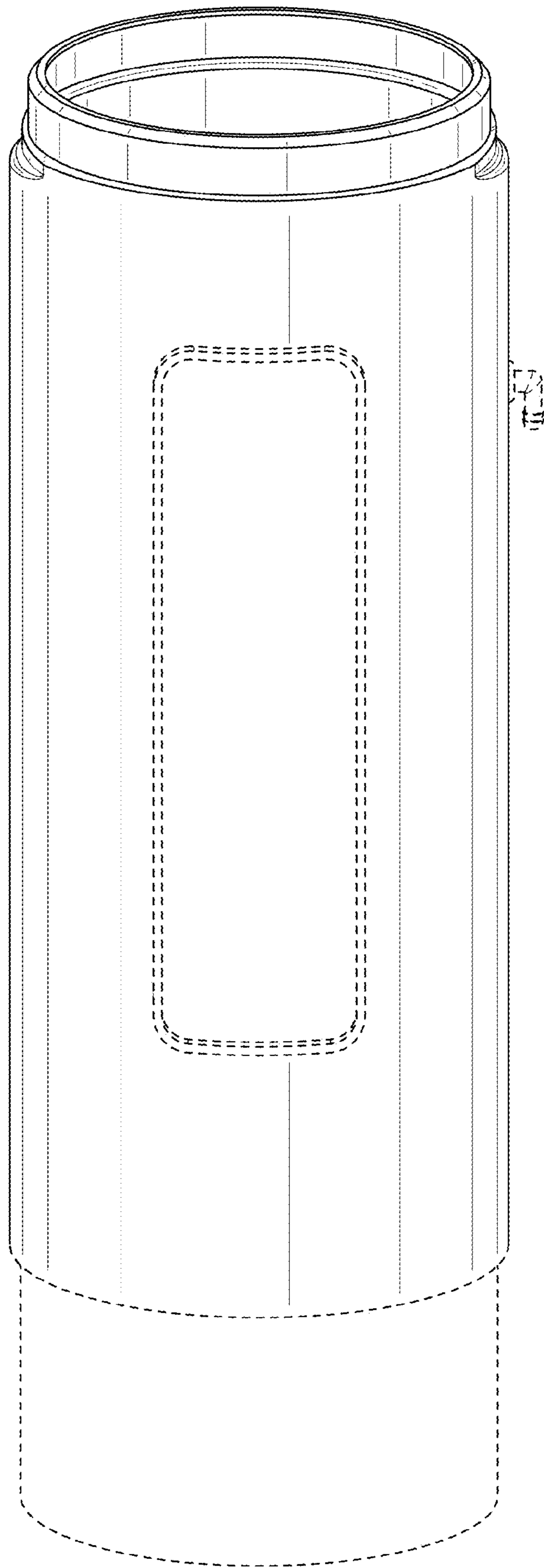


FIG. 15

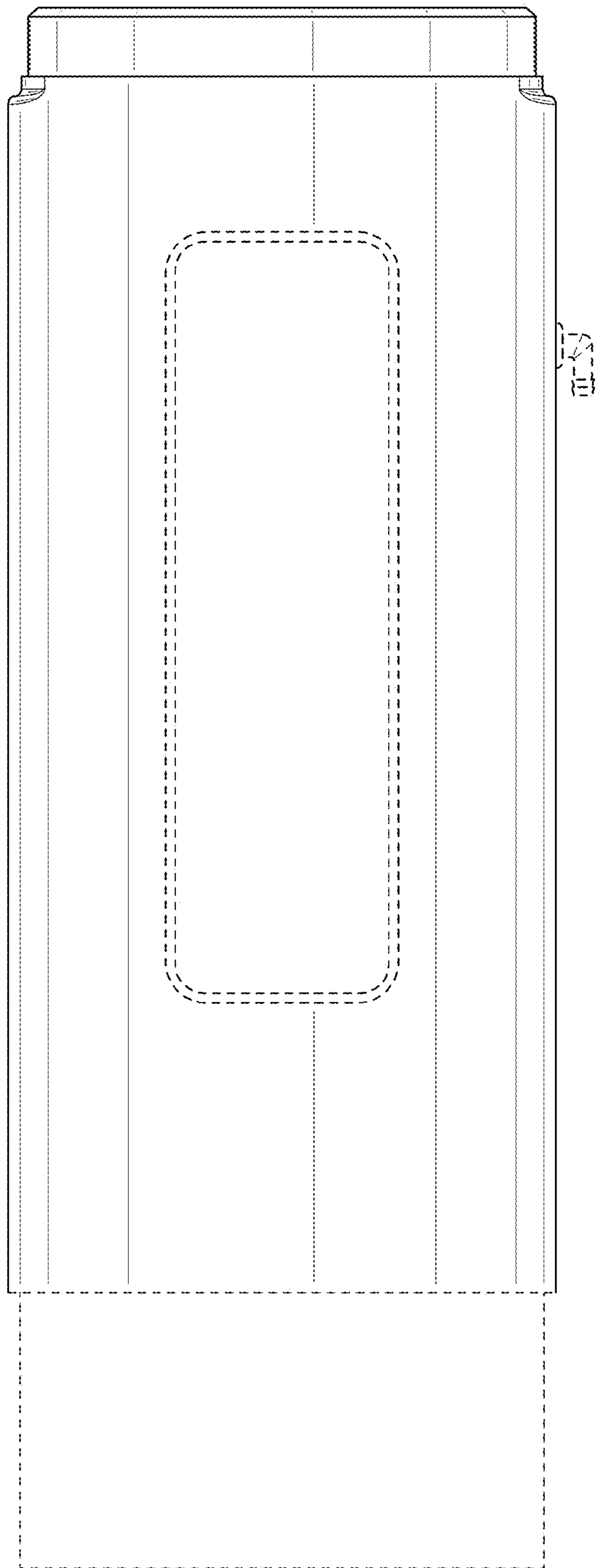


FIG.16

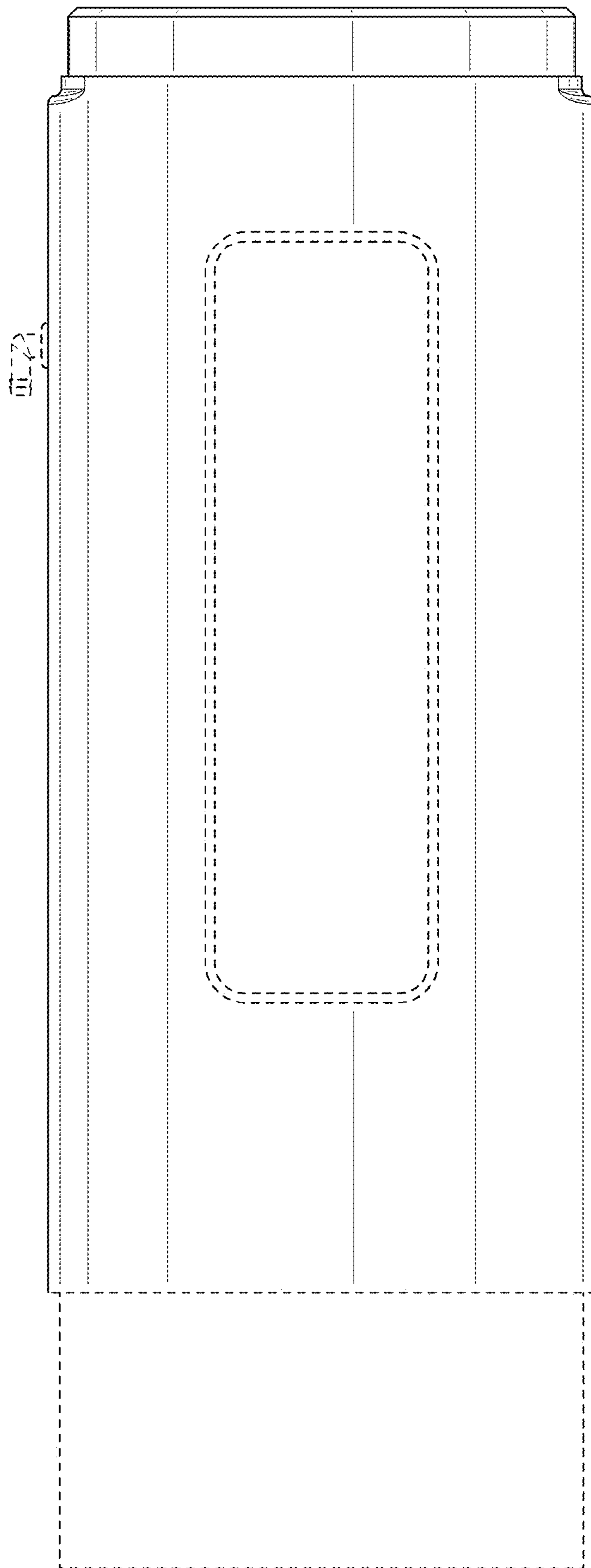


FIG. 17

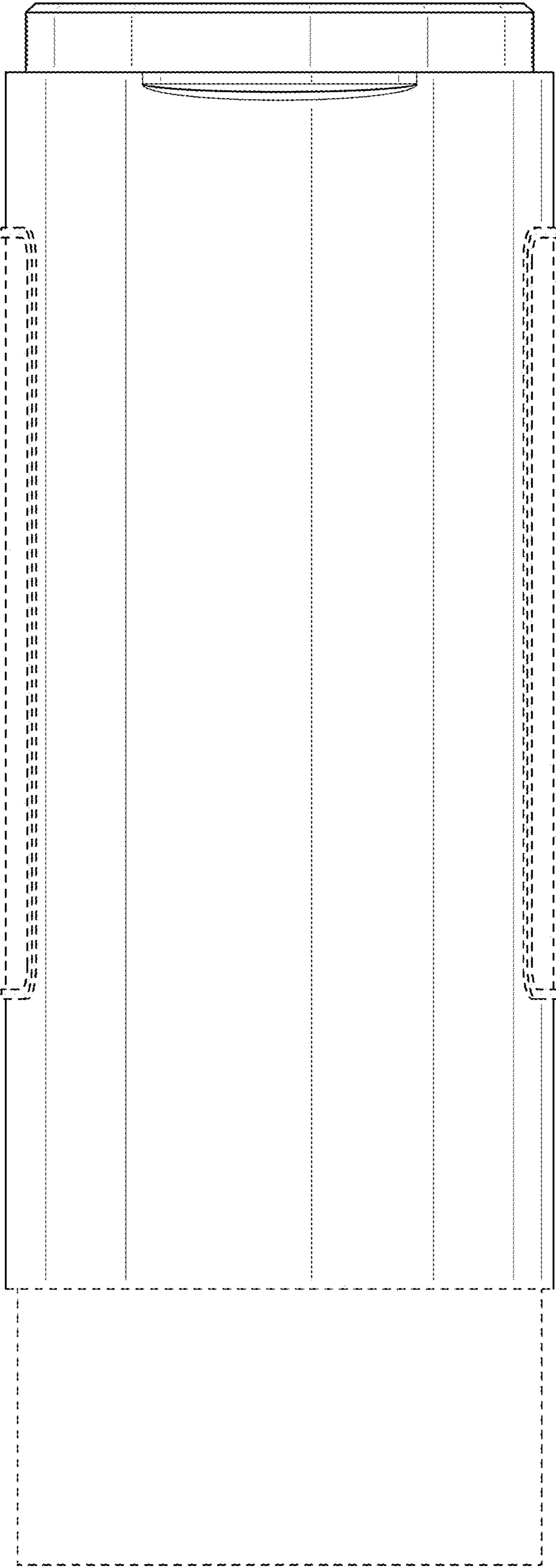


FIG. 18

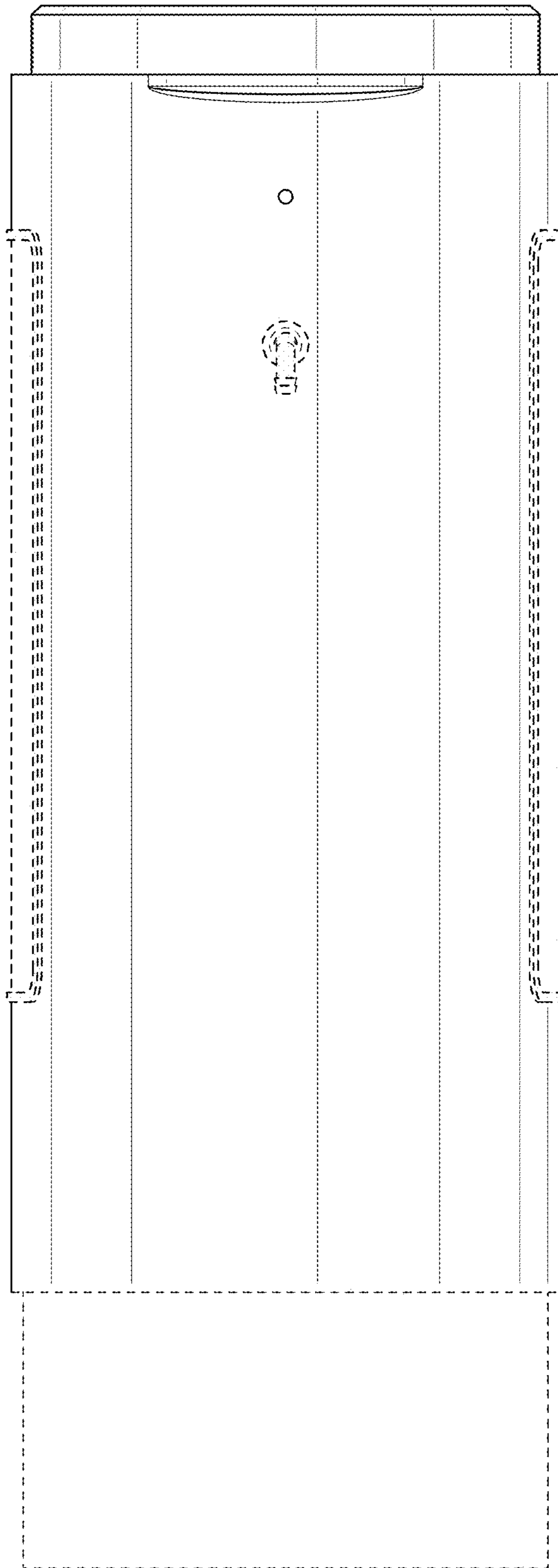


FIG. 19

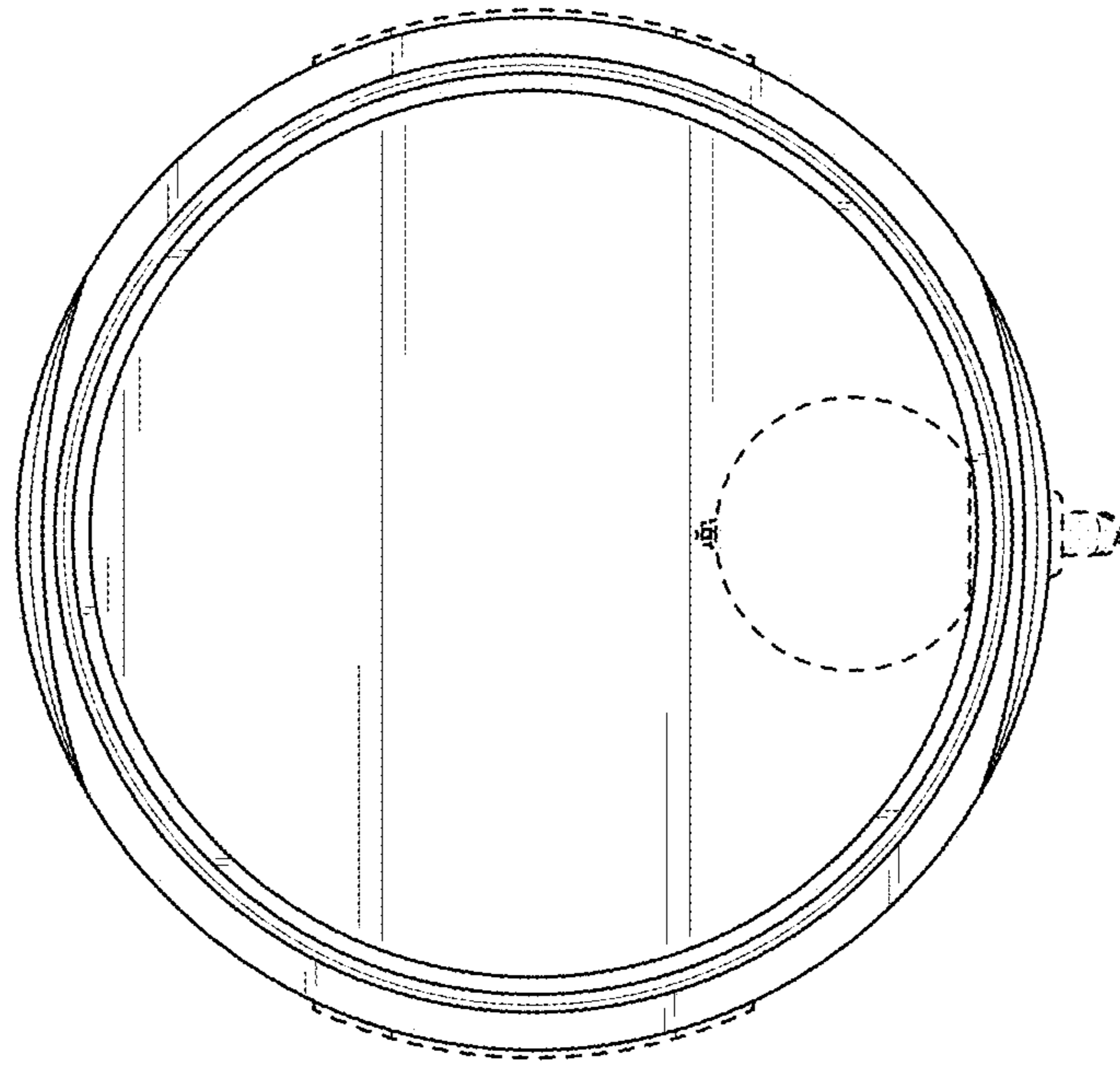


FIG. 20

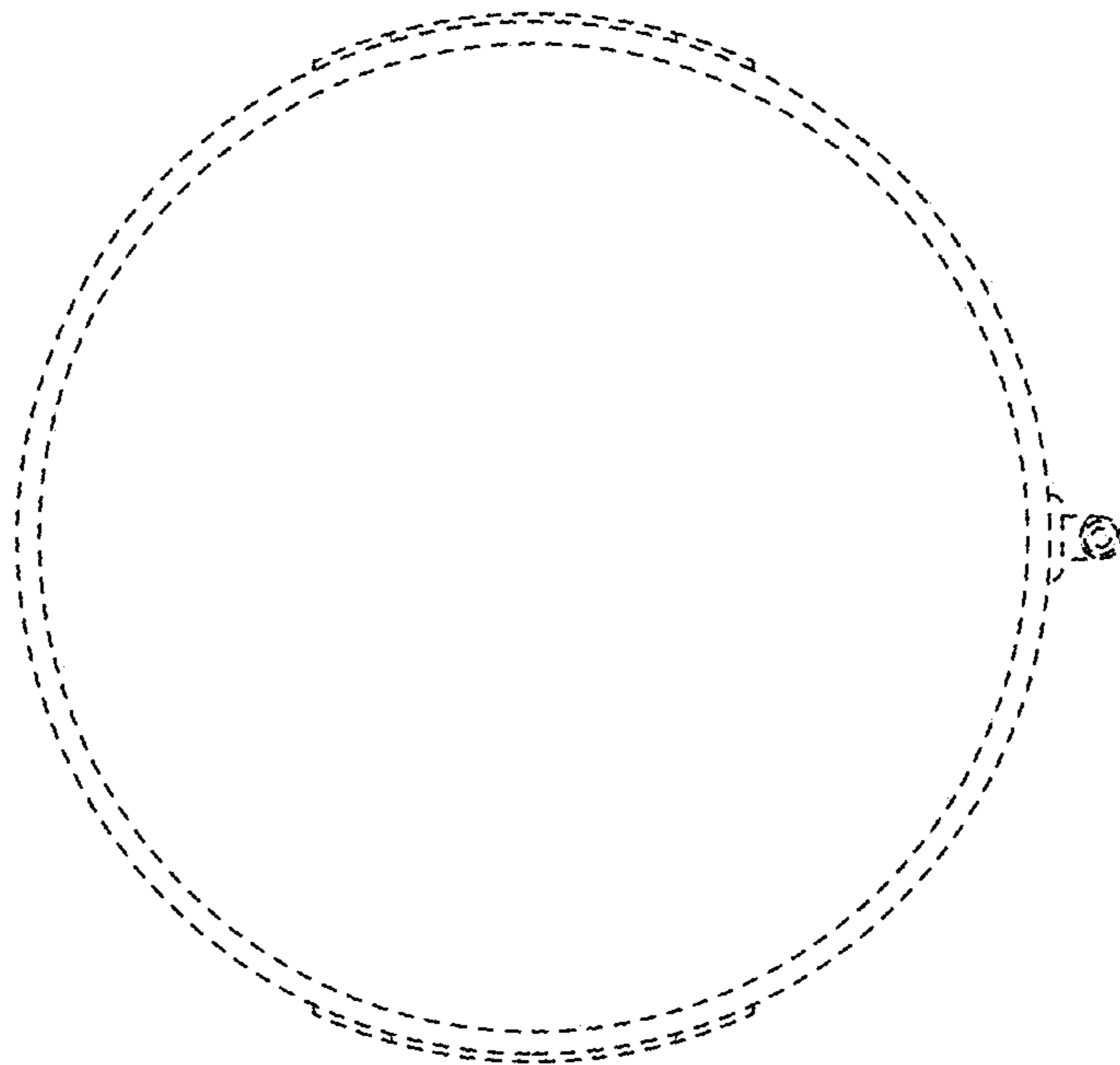


FIG. 21