



US00D972679S

(12) **United States Design Patent**  
**Hussey et al.**

(10) **Patent No.:** **US D972,679 S**  
(45) **Date of Patent:** **\*\* Dec. 13, 2022**

(54) **COMBINED WATER CHILLER, WATER FOUNTAIN, AND BOTTLE FILLING STATION**

D646,348 S 10/2011 Whitman et al.  
D898,500 S \* 10/2020 Leeds ..... D7/304  
10,934,694 B1 \* 3/2021 Porter ..... E03B 9/20  
2021/0276853 A1 \* 9/2021 Leeds ..... B67D 1/0888

(71) Applicant: **Haws Corporation**, Sparks, NV (US)

(72) Inventors: **Lance Hussey**, Thousand Oaks, CA (US); **Zeke Johnson**, Los Angeles, CA (US); **Shushuo Wu**, Rancho Santa Margarita, CA (US); **Ben LaBelle**, San Diego, CA (US); **Joshua Linn**, Carson City, NV (US); **Dean Porter**, Reno, NV (US)

(73) Assignee: **Haws Corporation**, Sparks, NV (US)

(\*\*) Term: **15 Years**

(21) Appl. No.: **29/669,832**

(22) Filed: **Nov. 12, 2018**

(51) **LOC (13) Cl.** ..... **23-01**

(52) **U.S. Cl.**  
USPC ..... **D23/201**; D23/271

(58) **Field of Classification Search**  
USPC ..... D7/300, 304, 305; D23/201, 271, 285  
CPC .. E03B 9/20; E03C 1/057; A47K 1/05; A01K 7/027

See application file for complete search history.

(56) **References Cited**

**U.S. PATENT DOCUMENTS**

4,597,525 A \* 7/1986 Cushman ..... B67D 1/16  
239/28  
D366,384 S \* 1/1996 Stein ..... D7/304  
D414,370 S \* 9/1999 Shy ..... D7/304  
D634,394 S 3/2011 Whitman et al.

**OTHER PUBLICATIONS**

Halsey Taylor, HydroBoost Bottle Filling Station, 2014, product brochure, p. 4 (Year: 2014).\*

\* cited by examiner

*Primary Examiner* — Calvin E Vansant  
(74) *Attorney, Agent, or Firm* — Cesari and McKenna, LLP

(57) **CLAIM**

The ornamental design for a combined water chiller, water fountain, and bottle filling station, as shown.

**DESCRIPTION**

FIG. 1 is a front isometric view of a combined water chiller, water fountain, and bottle filling station, incorporating the design;

FIG. 2 is a rear isometric view thereof;

FIG. 3 is a top view thereof;

FIG. 4 is bottom view thereof;

FIG. 5 is a front view thereof;

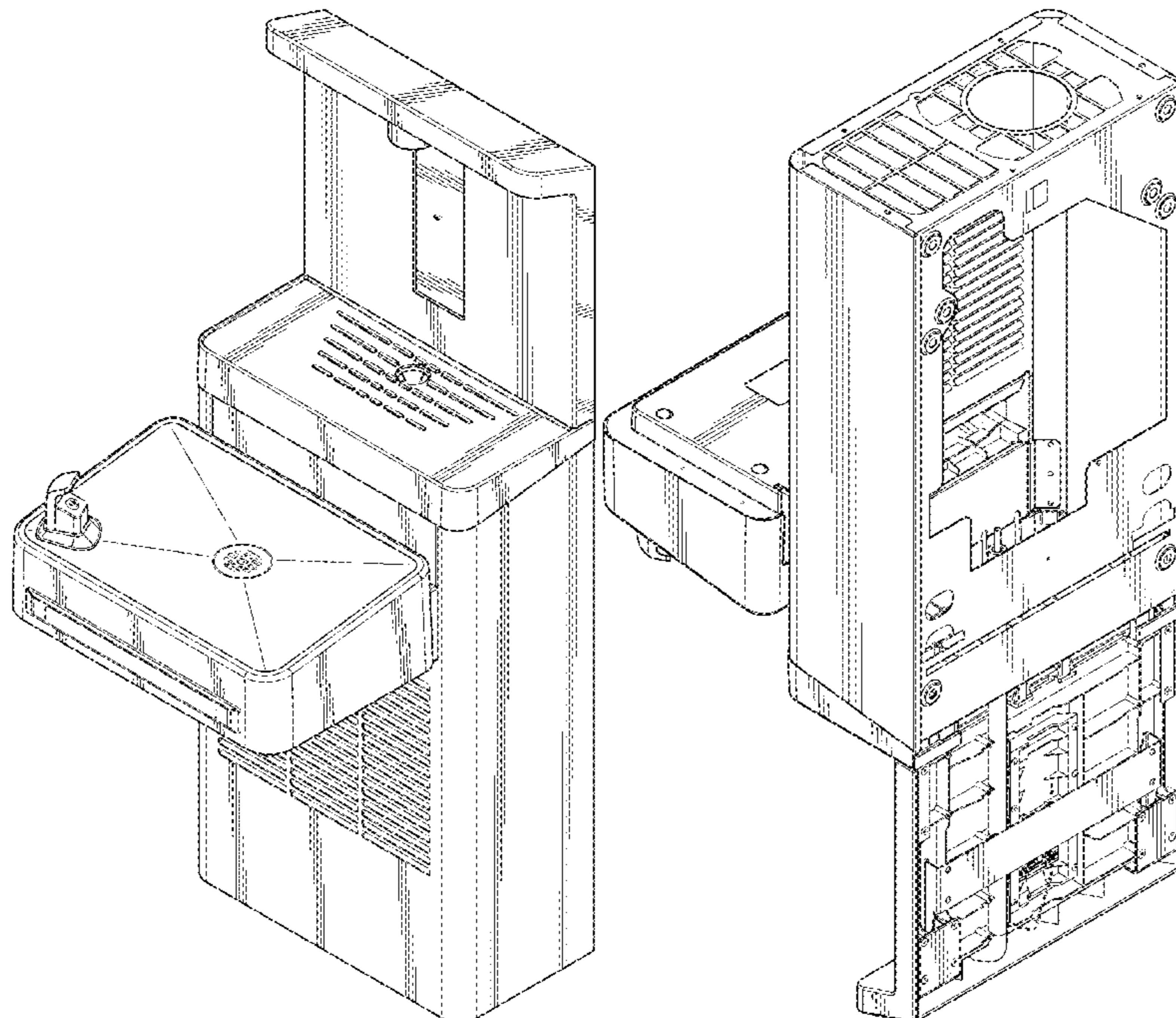
FIG. 6 is a rear view thereof;

FIG. 7 is a side view thereof; and,

FIG. 8 is another side view thereof.

The broken lines depict portions of the combined water chiller, water fountain, and bottle filling station that form no part of the claimed design.

**1 Claim, 8 Drawing Sheets**



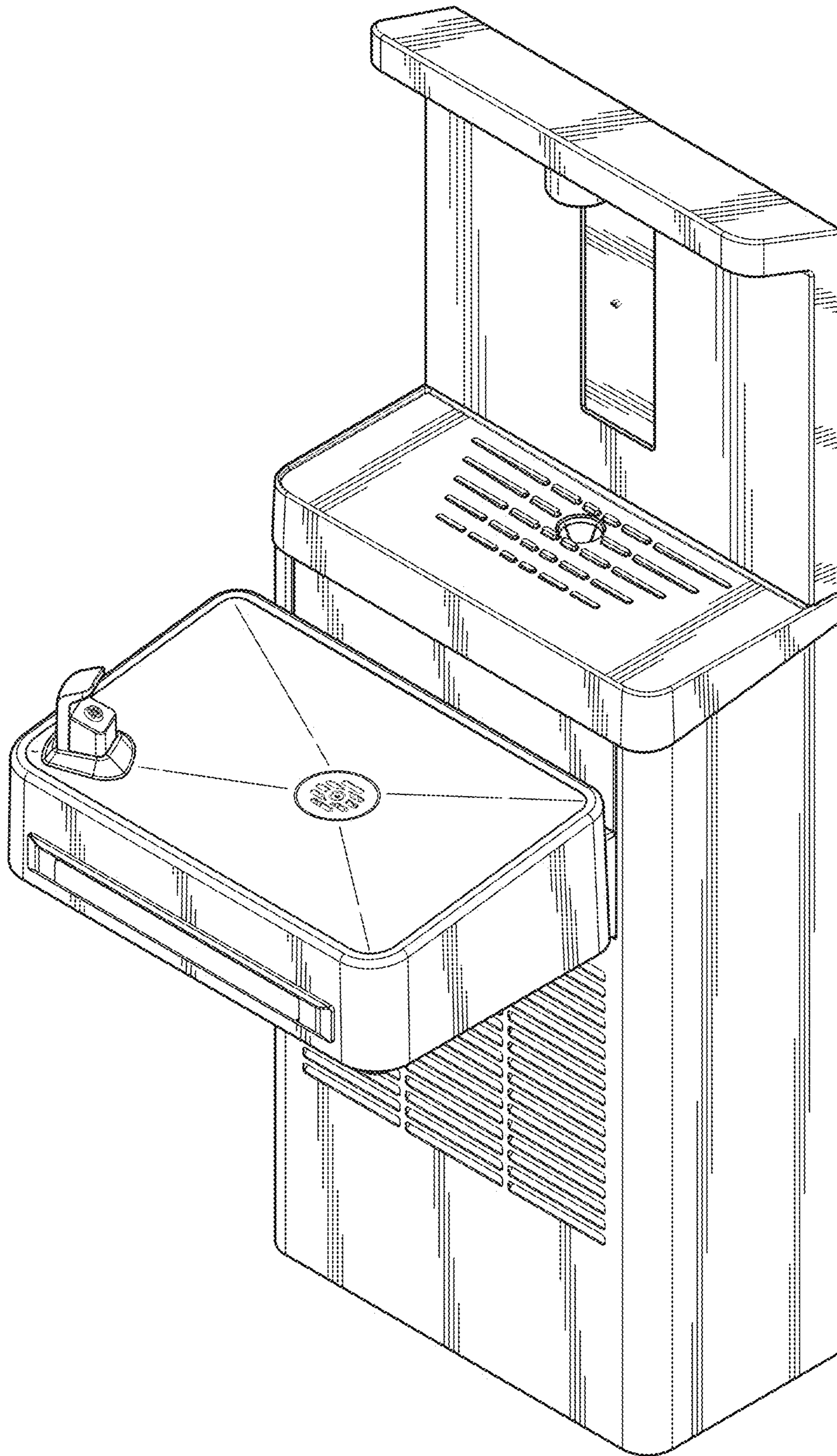


FIG. 1

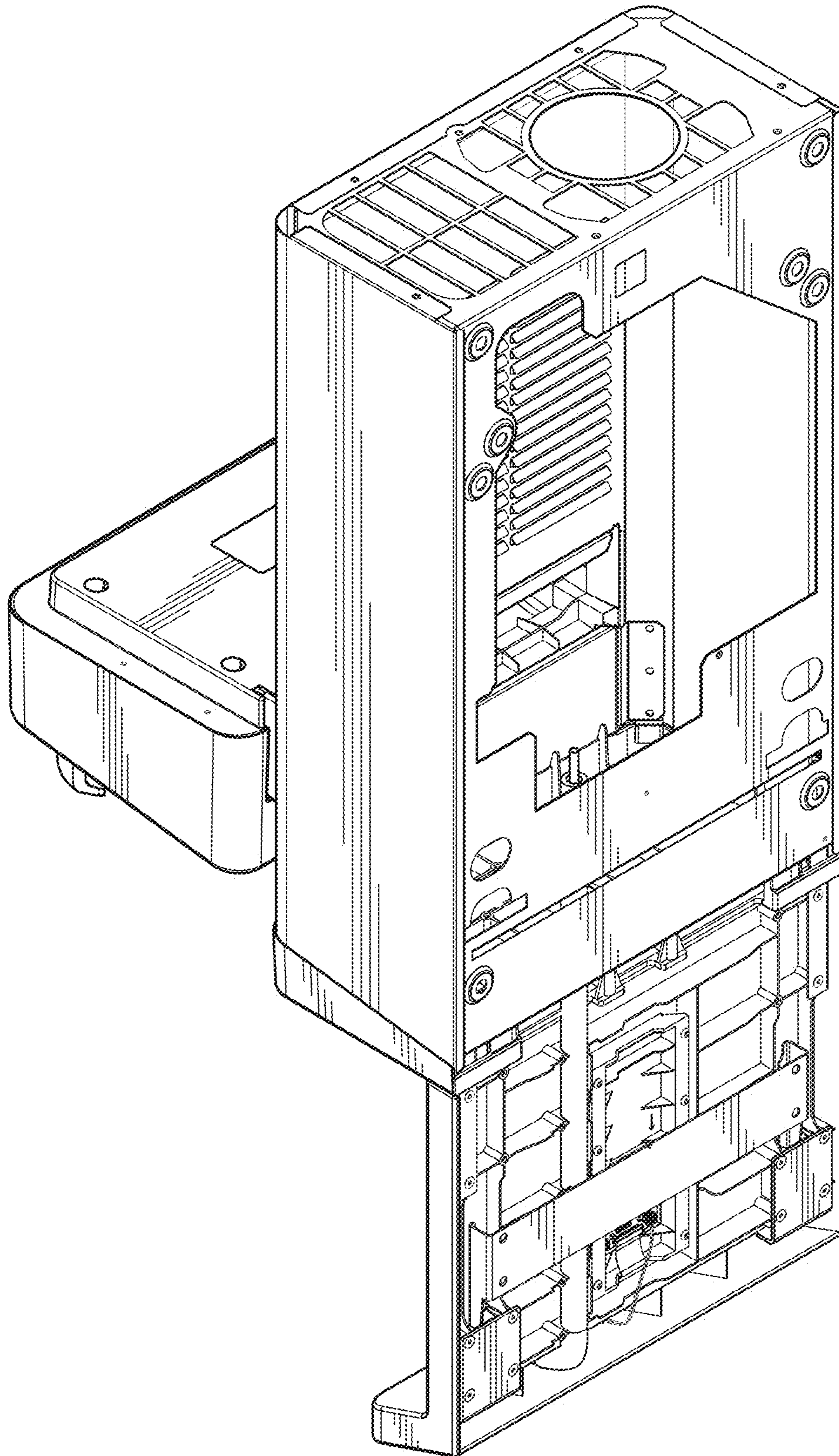


FIG. 2

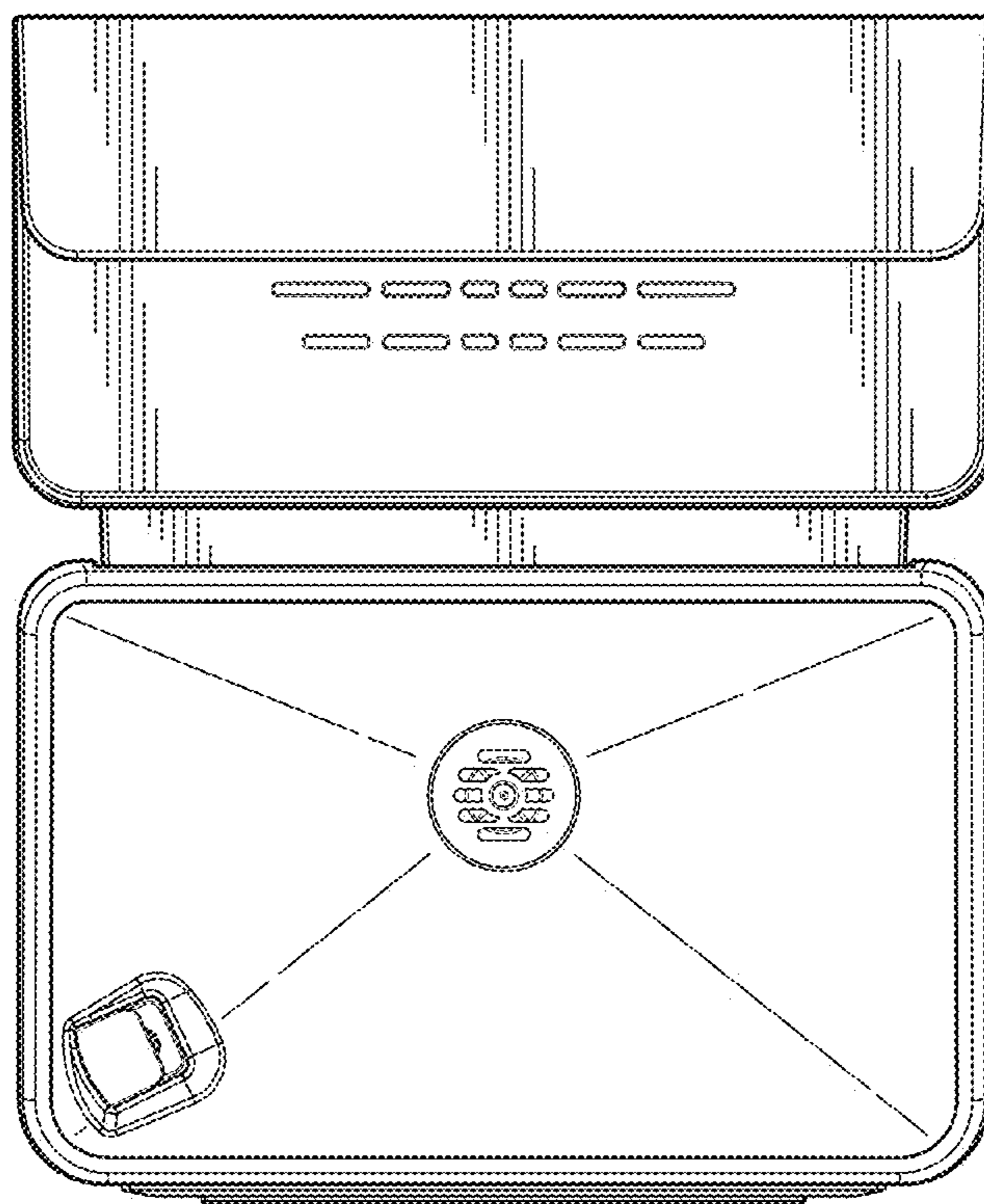


FIG. 3

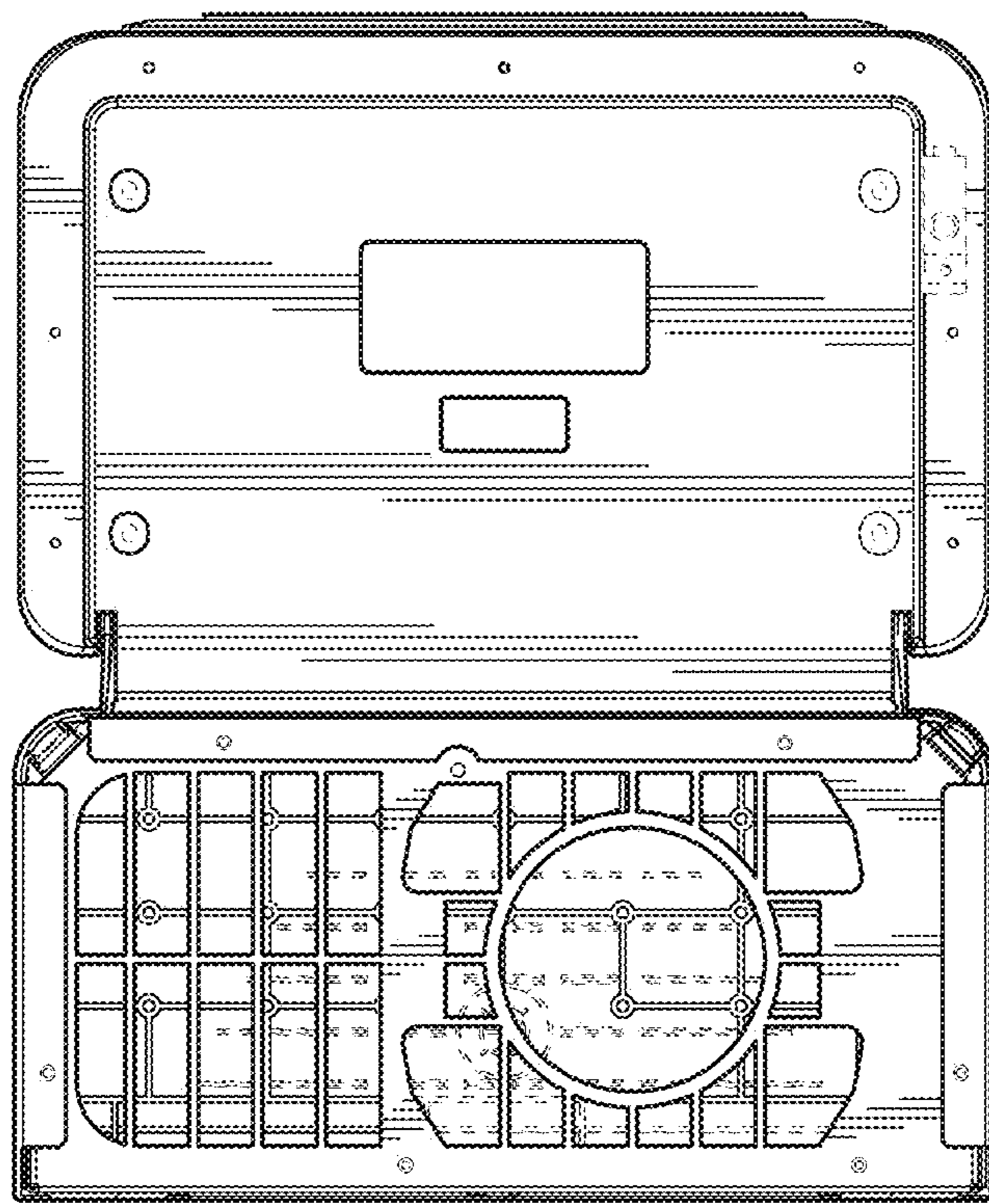


FIG. 4

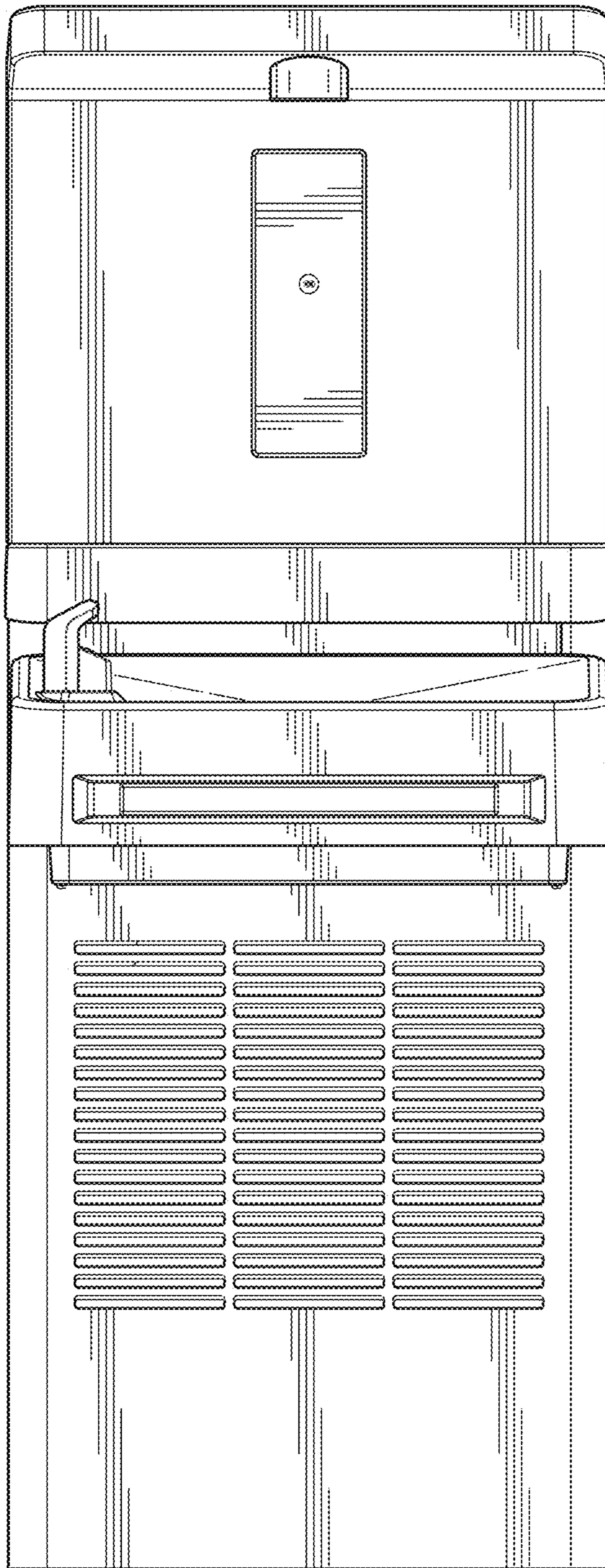


FIG. 5

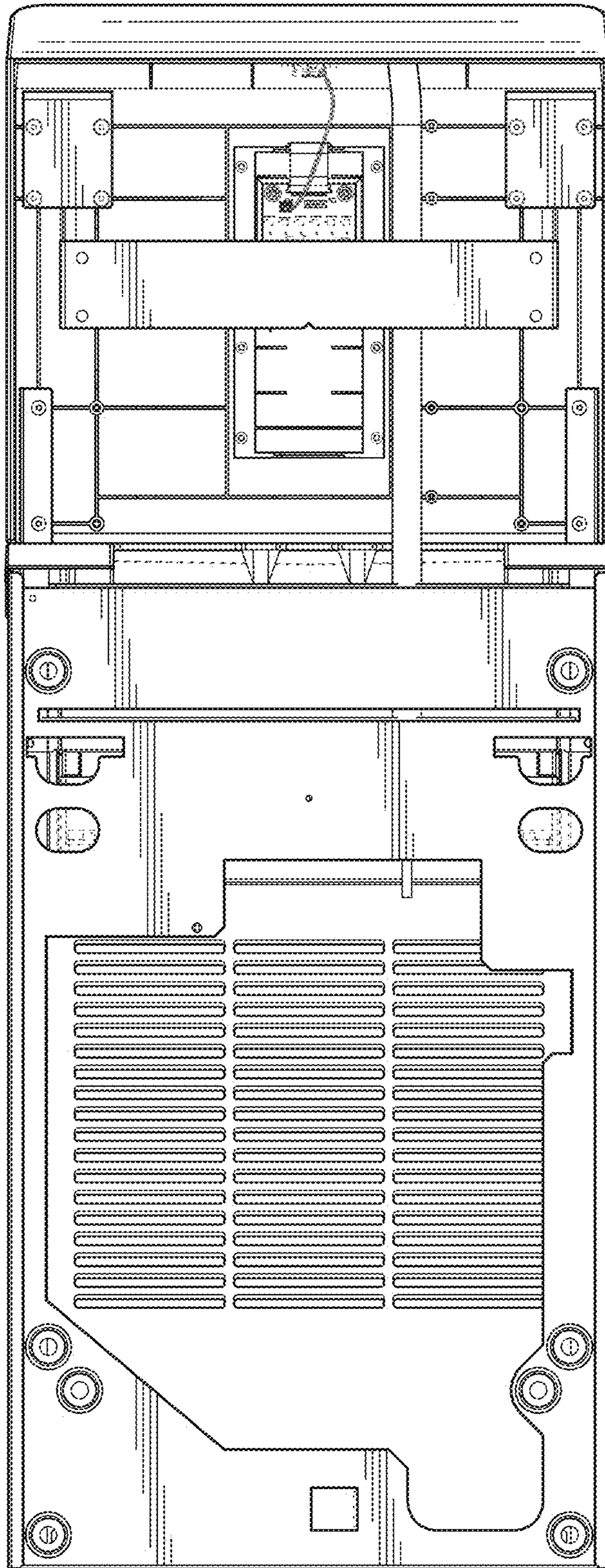


FIG. 6

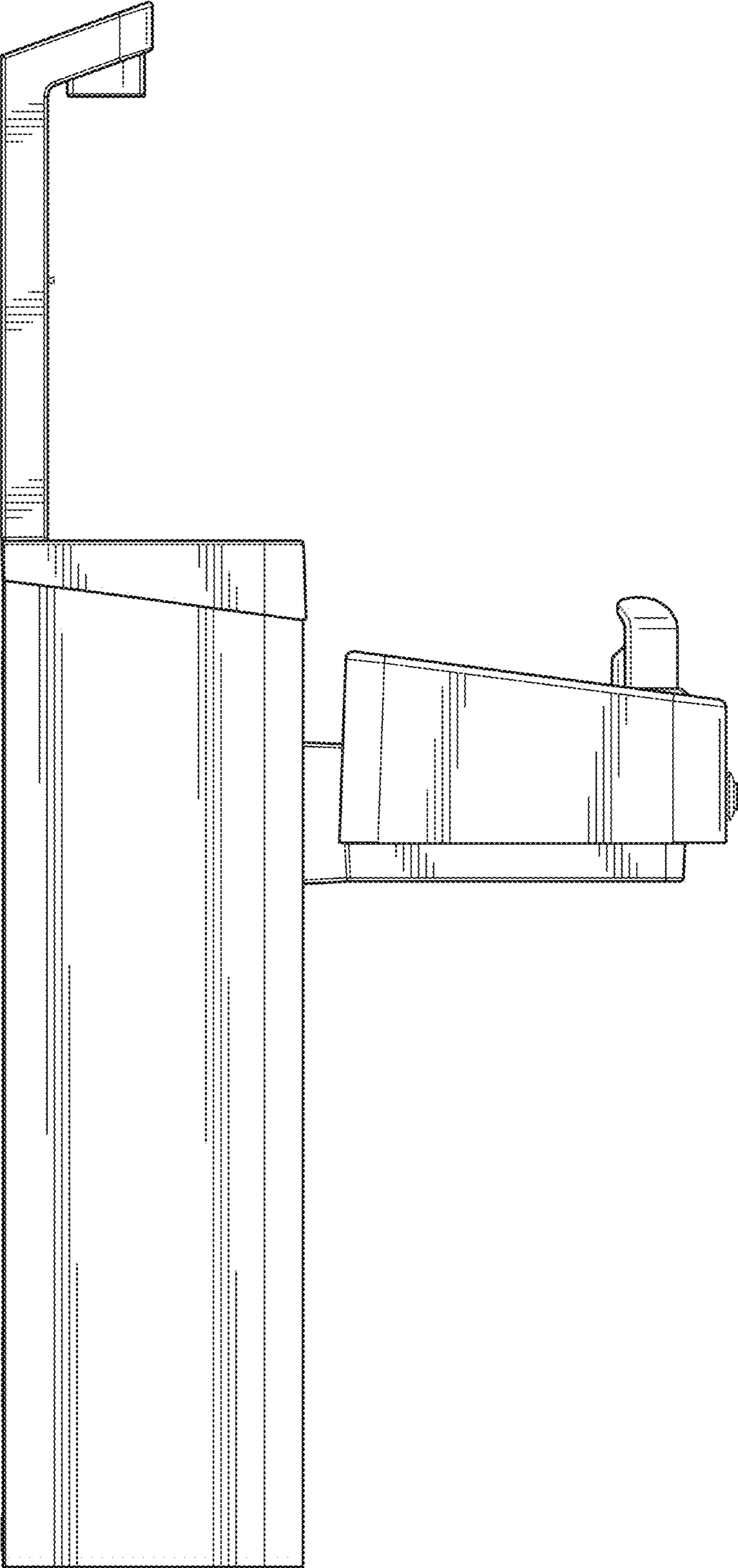


FIG. 7



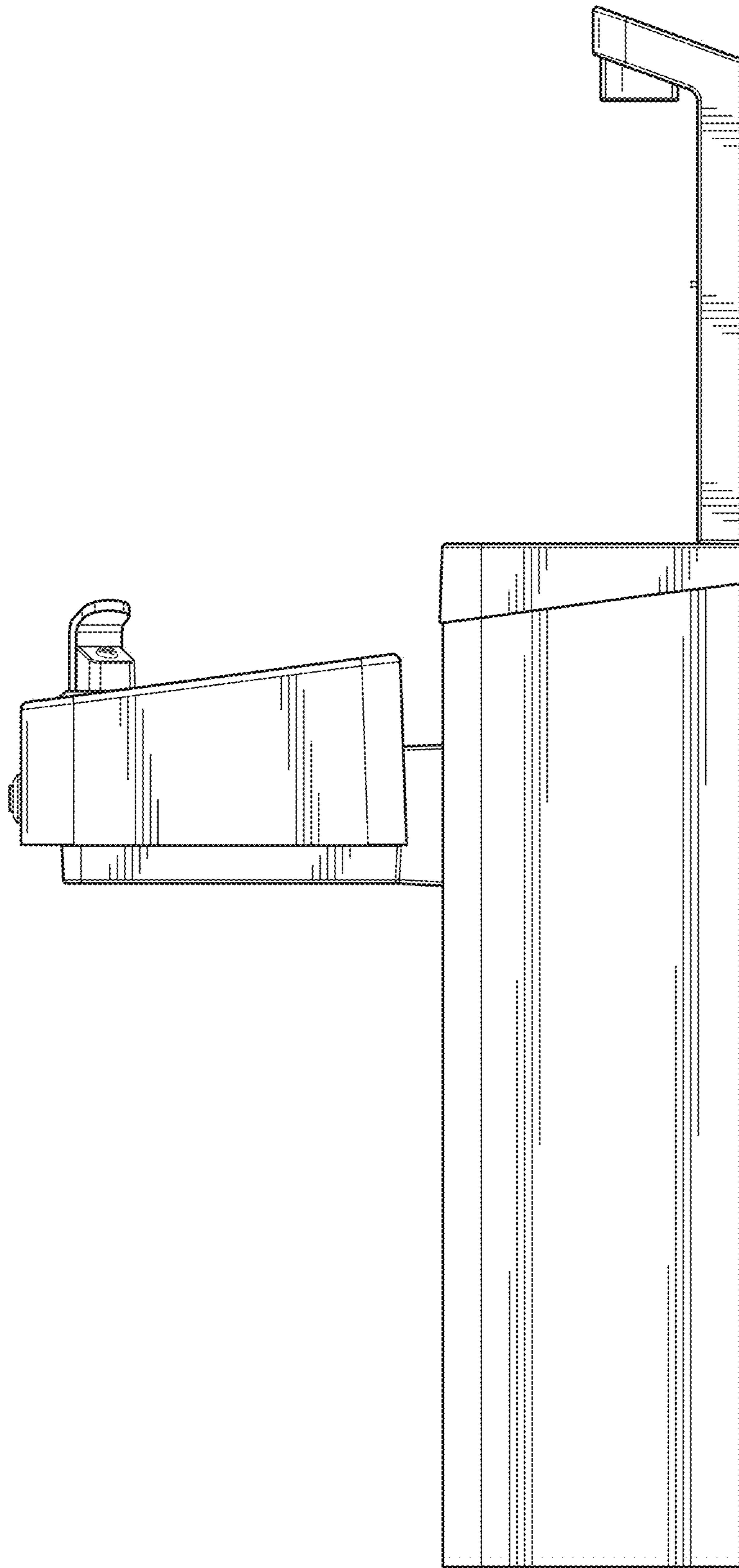


FIG. 8