



US00D972676S

(12) **United States Design Patent**
Rogers et al.

(10) **Patent No.:** **US D972,676 S**

(45) **Date of Patent:** **** Dec. 13, 2022**

(54) **BUOYANCY BELT**

(71) Applicants: **Michael Scott Rogers**, Rockledge, FL (US); **Kevin Iliff McCarthy**, Sammamish, WA (US)

(72) Inventors: **Michael Scott Rogers**, Rockledge, FL (US); **Kevin Iliff McCarthy**, Sammamish, WA (US)

(**) Term: **15 Years**

(21) Appl. No.: **29/722,978**

(22) Filed: **Feb. 3, 2020**

(51) **LOC (13) Cl.** **21-02**

(52) **U.S. Cl.**
USPC **D21/805**

(58) **Field of Classification Search**
USPC D21/804, 805; D29/100, 101.1, 101.4
CPC B63C 9/11; B63C 9/18; B63C 9/155
See application file for complete search history.

(56) **References Cited**

U.S. PATENT DOCUMENTS

D179,326 S * 11/1956 Stansell D21/805
D183,521 S * 9/1958 Ibsen D21/805

D302,874 S * 8/1989 Bossart D21/805
D320,059 S * 9/1991 Bedortha D21/805
D341,406 S * 11/1993 Scheurer D21/805
5,382,184 A * 1/1995 DiForte, Jr. B63C 9/135
D21/805
D410,132 S * 5/1999 Hottenroth D21/805
D464,102 S * 10/2002 Wilbanks D21/805
D672,421 S * 12/2012 Conlan D21/805
D745,101 S * 12/2015 Cottin D21/805

* cited by examiner

Primary Examiner — Zenia I Bennett

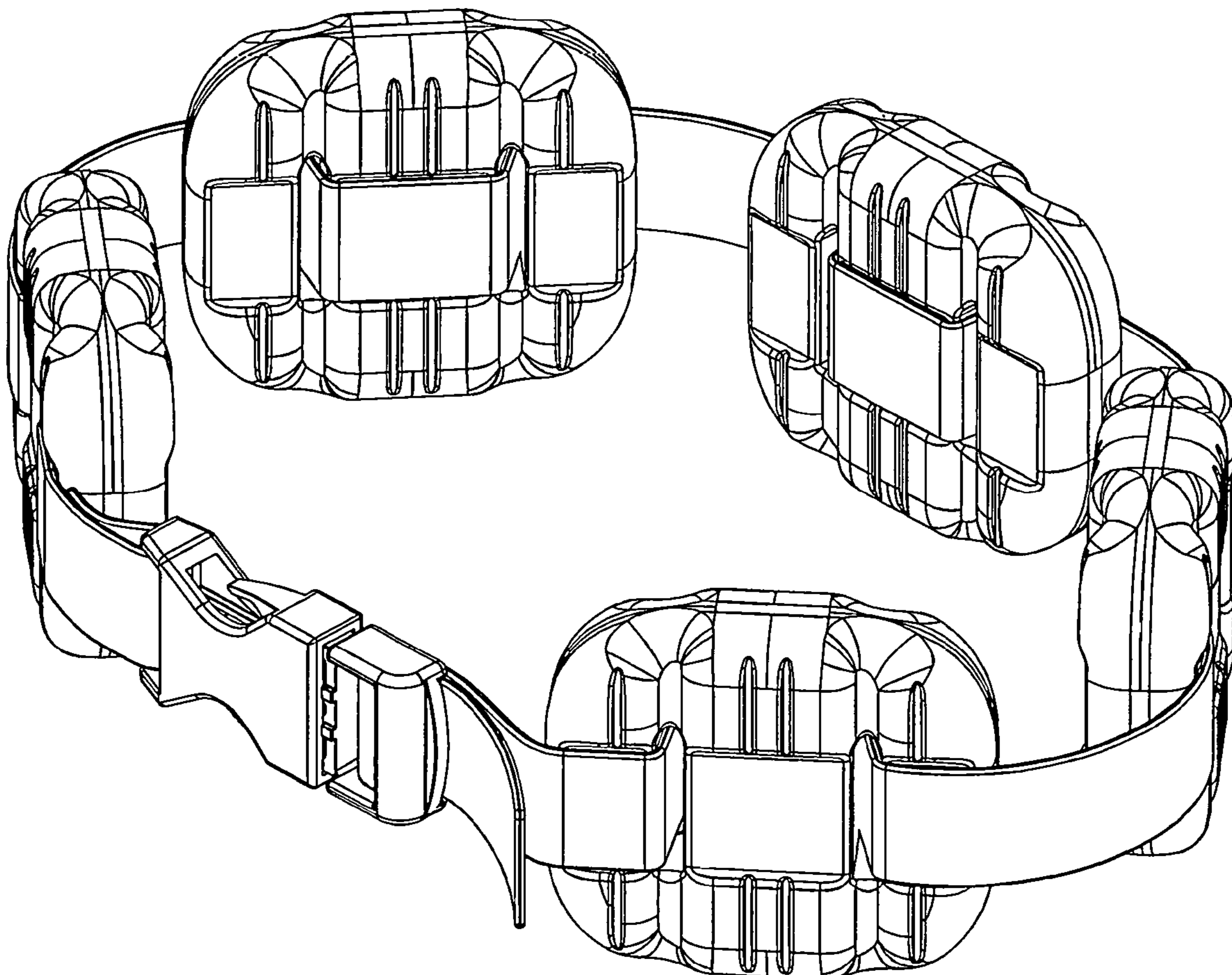
(57) **CLAIM**

The ornamental design for a buoyancy belt, as shown and described.

DESCRIPTION

FIG. 1 is a perspective view of the buoyancy belt showing our new design;
FIG. 2 is a top view thereof;
FIG. 3 is a side view thereof;
FIG. 4 is a front view thereof;
FIG. 5 is a back view thereof;
FIG. 6 is a cross-section view from line 6-6 in FIG. 5 thereof; and,
FIG. 7 is a cross-section view from line 7-7 in FIG. 2 thereof.

1 Claim, 7 Drawing Sheets



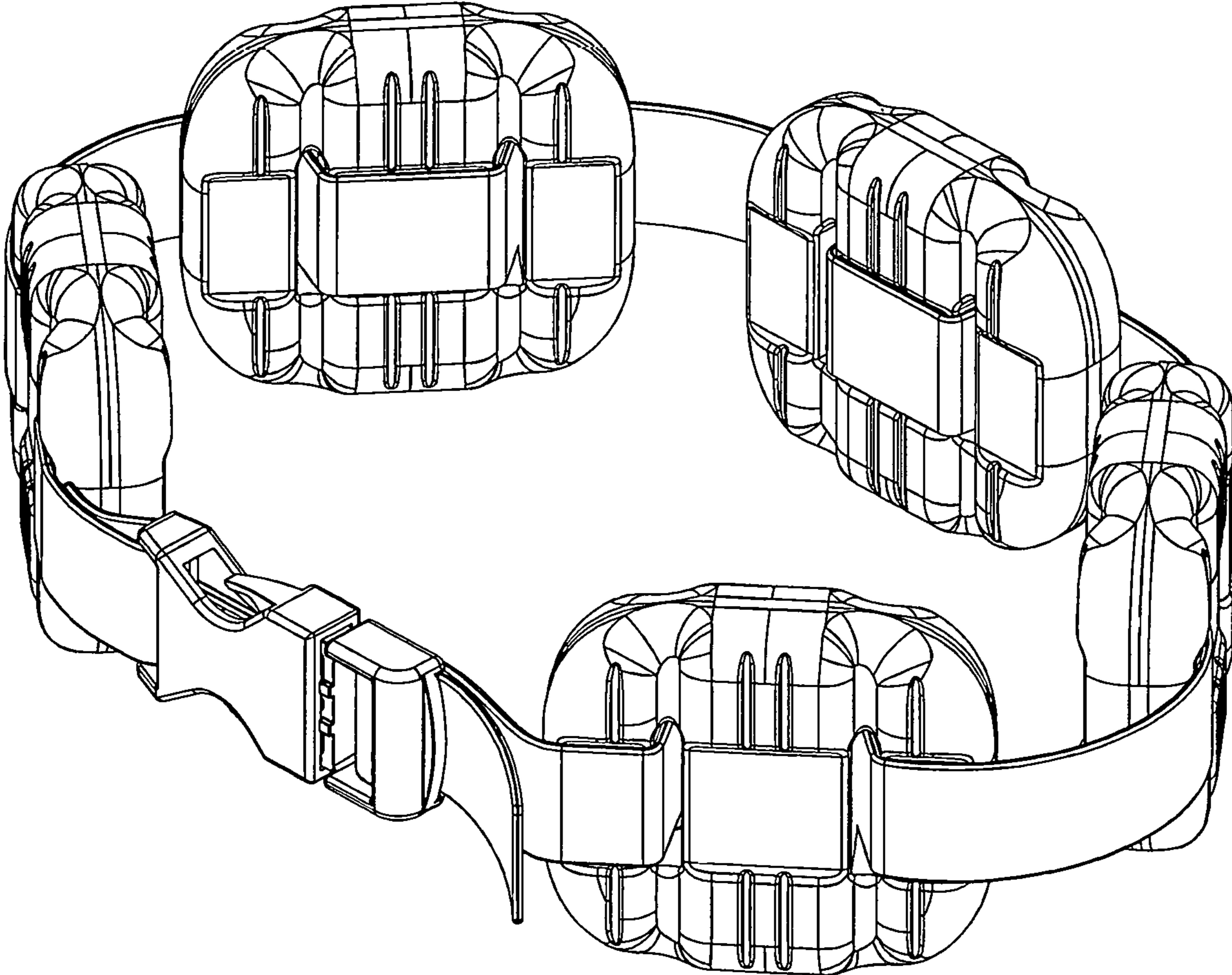


FIG. 1

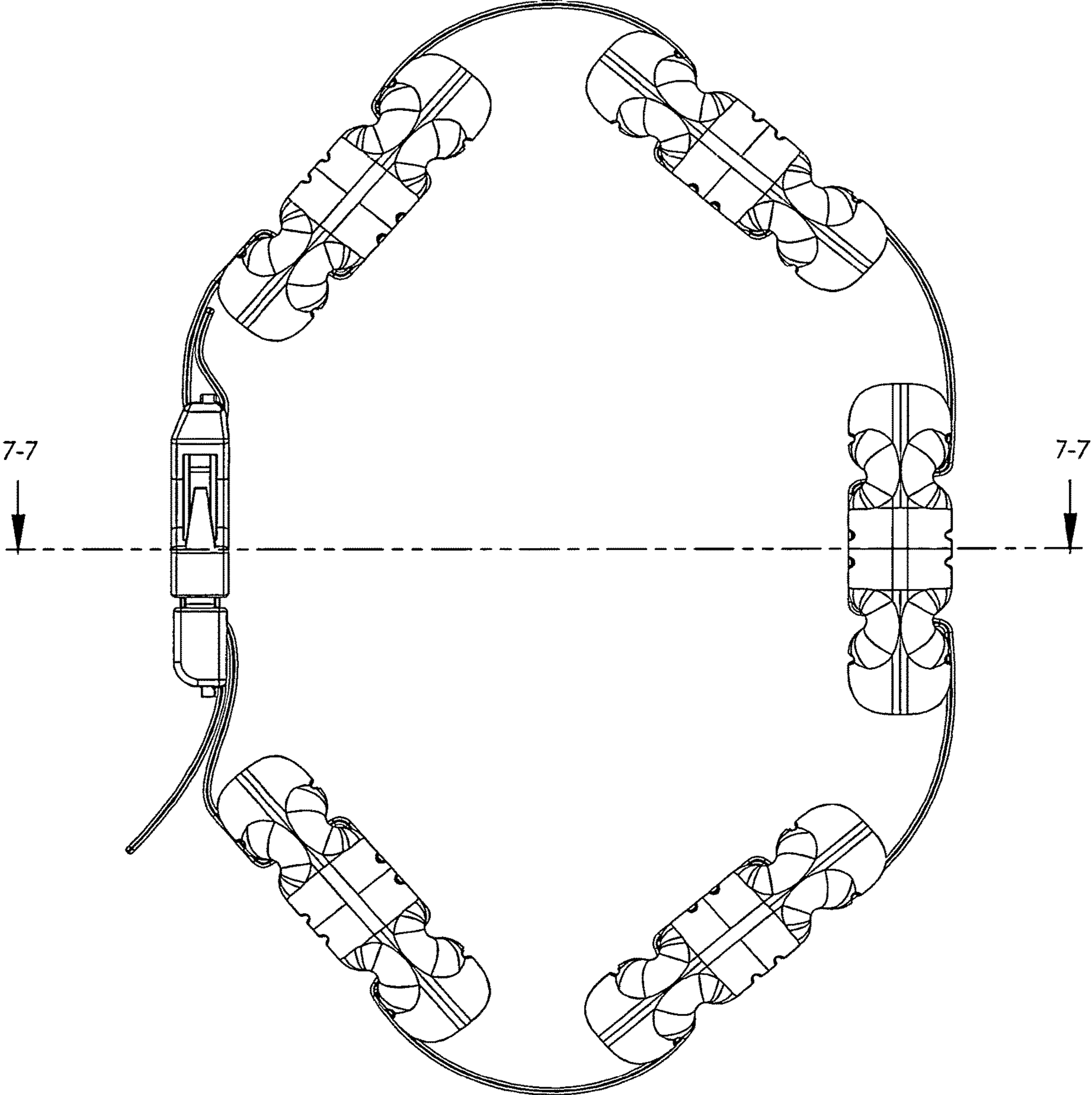


FIG. 2

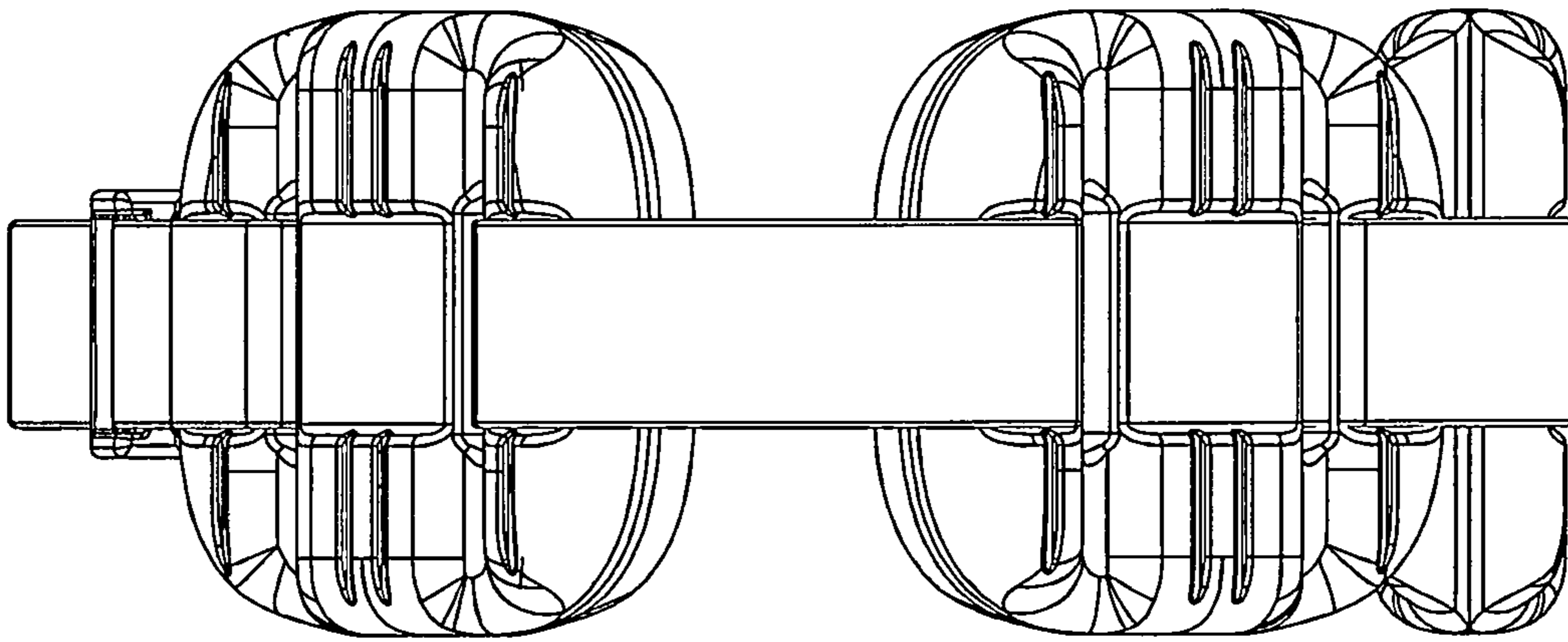


FIG. 3

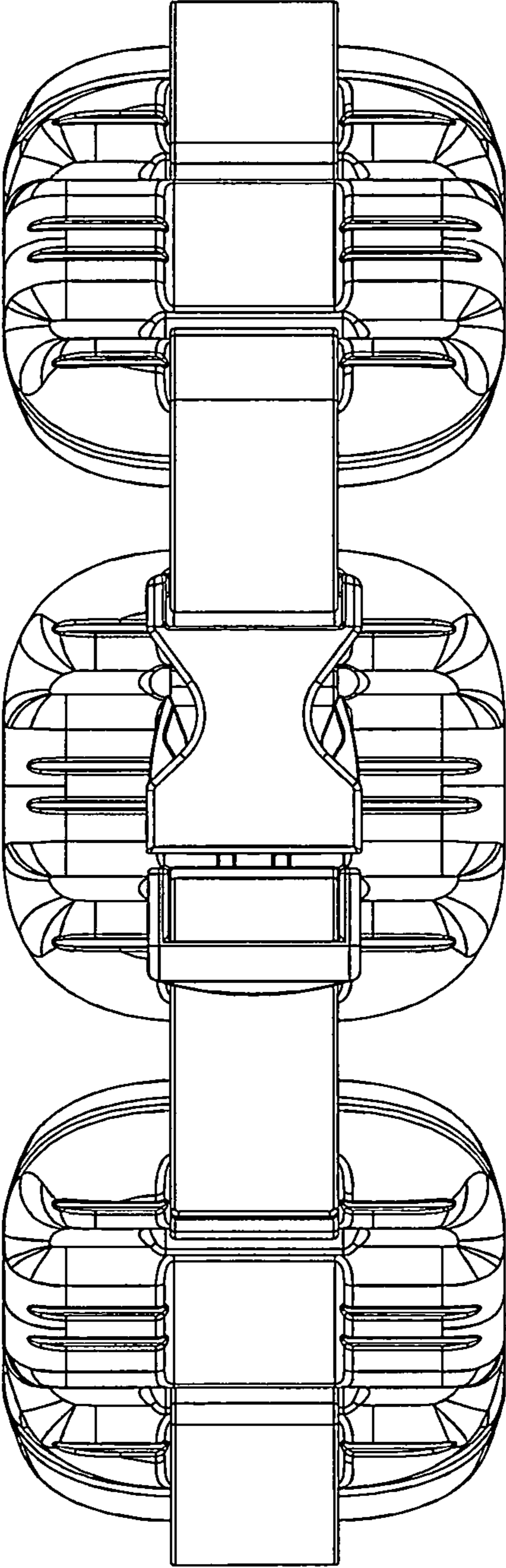


FIG. 4

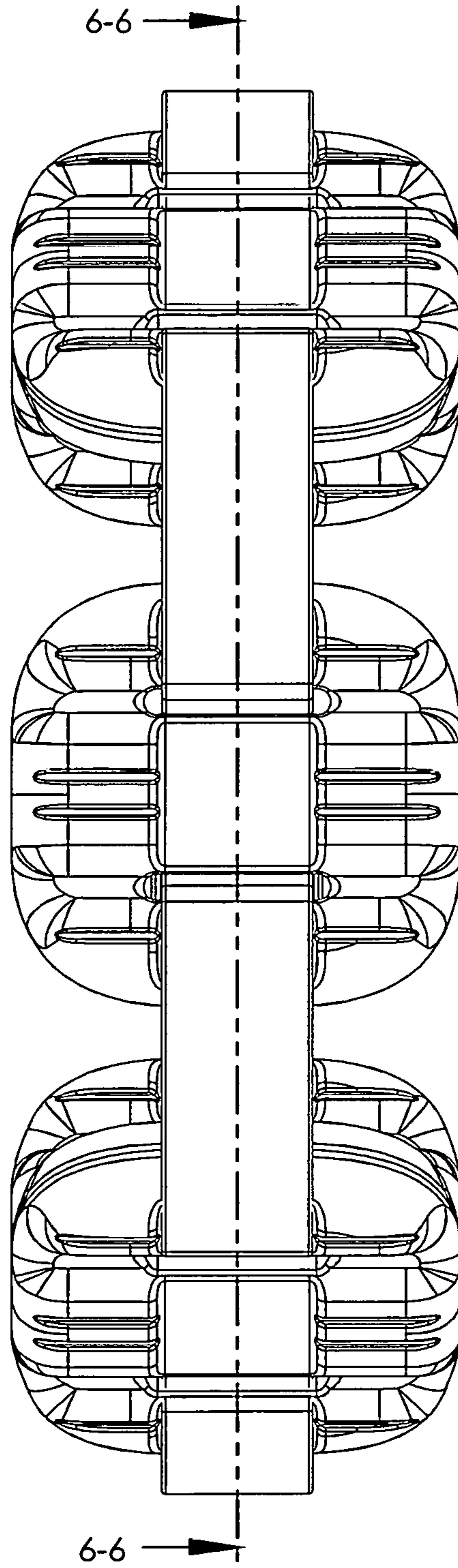


FIG. 5

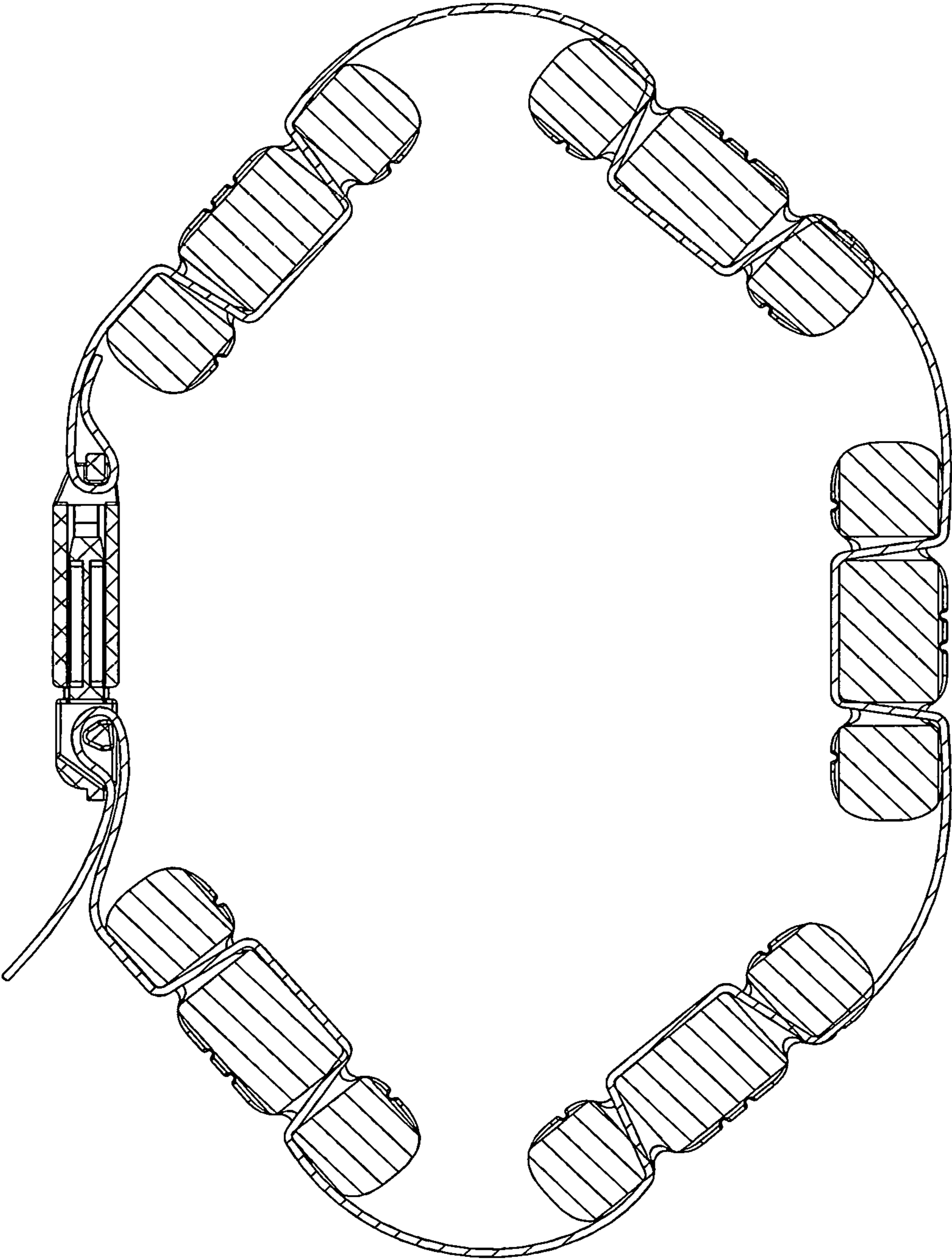


FIG. 6

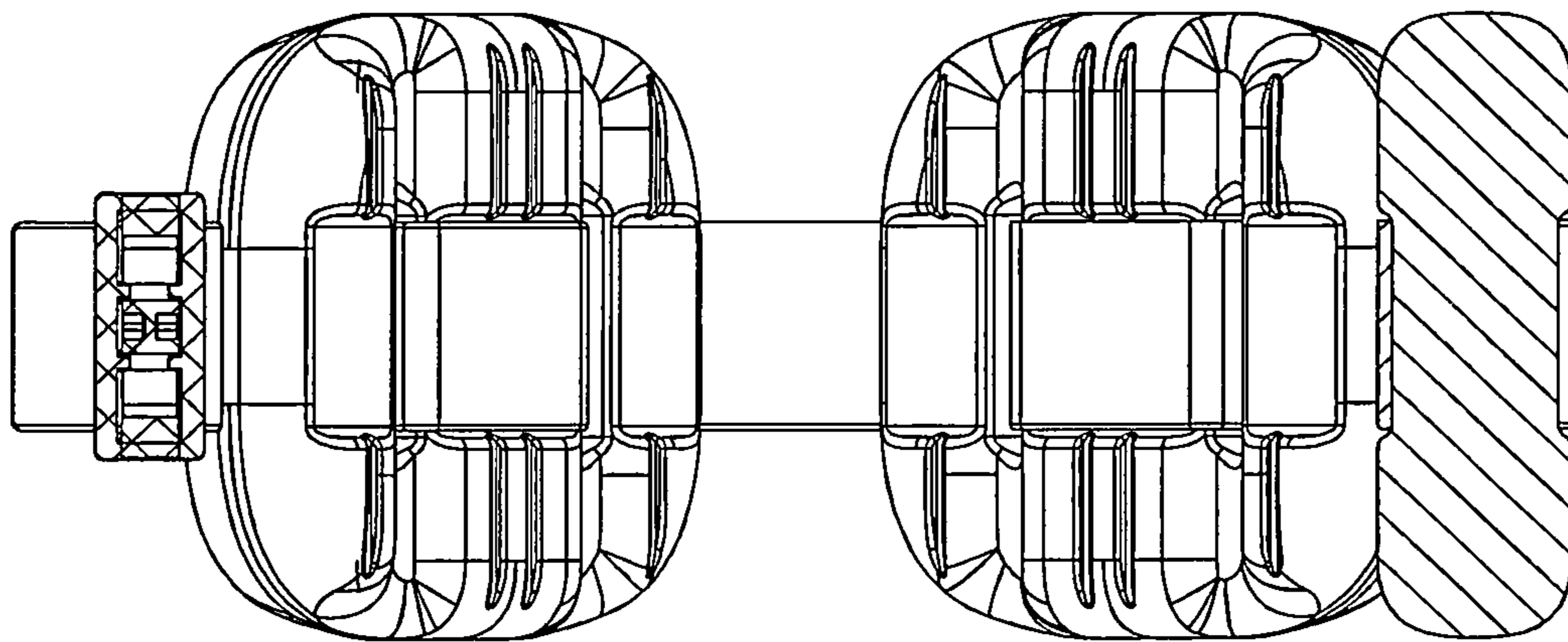


FIG. 7