



US00D972675S

(12) **United States Design Patent** (10) **Patent No.:** **US D972,675 S**  
**Campbell et al.** (45) **Date of Patent:** **\*\* Dec. 13, 2022**

(54) **BASKETBALL PASSING MACHINE**

OTHER PUBLICATIONS

(71) Applicant: **Airbone Athletics, Inc.**, Bloomington, MN (US)

Airbone Athletics, Inc. 1 page advertising brochure, © Airbone Athletics, Inc., before 2012.

(Continued)

(72) Inventors: **Douglas B. Campbell**, Loretto, MN (US); **Adam T. Pan**, Elko New Market, MN (US); **Caleb Summers**, Richfield, MN (US)

*Primary Examiner* — Mehri F Bajoul

(74) *Attorney, Agent, or Firm* — Fish & Richardson P.C.

(73) Assignee: **Airbone Athletics, Inc.**, Bloomington, MN (US)

(57) **CLAIM**

The ornamental design for a basketball passing machine, substantially as shown and described.

(\*\*) Term: **15 Years**

(21) Appl. No.: **29/704,786**

**DESCRIPTION**

(22) Filed: **Sep. 6, 2019**

(51) **LOC (13) Cl.** ..... **21-02**

(52) **U.S. Cl.**  
USPC ..... **D21/781**

(58) **Field of Classification Search**  
USPC ..... D21/300, 302, 305, 310, 314, 463, 457, D21/458, 459, 472, 570, 673, 699, 701, D21/702, 703, 704, 705, 707, 715, 720, D21/721, 781, 790, 791; 473/422, 431, 473/433, 447

CPC ..... A63B 69/00; A63B 69/0071; A63B 71/02; A63B 63/00; A63B 63/08; A63B 69/40

See application file for complete search history.

FIG. 1 is a perspective view of a basketball passing machine or portion thereof showing the claimed design, according to a first embodiment.

FIG. 2 is a front view of a basketball passing machine or portion thereof showing the claimed design, according to the first embodiment.

FIG. 3 is a back view of a basketball passing machine or portion thereof showing the claimed design, according to the first embodiment.

FIG. 4 is a side view of a basketball passing machine or portion thereof showing the claimed design, according to the first embodiment.

FIG. 5 is a side view of a basketball passing machine or portion thereof showing the claimed design, according to the first embodiment.

FIG. 6 is a top view of a basketball passing machine or portion thereof showing the claimed design, according to the first embodiment; and,

FIG. 7 is a bottom view of a basketball passing machine or portion thereof showing the claimed design, according to the first embodiment.

The broken lines in the drawings depicts portions of the basketball passing machine that form no part of the claimed design.

(56) **References Cited**

U.S. PATENT DOCUMENTS

1,223,386 A 4/1917 Handelan  
2,908,266 A 10/1959 Cooper et al.  
3,776,550 A 12/1973 McNabb

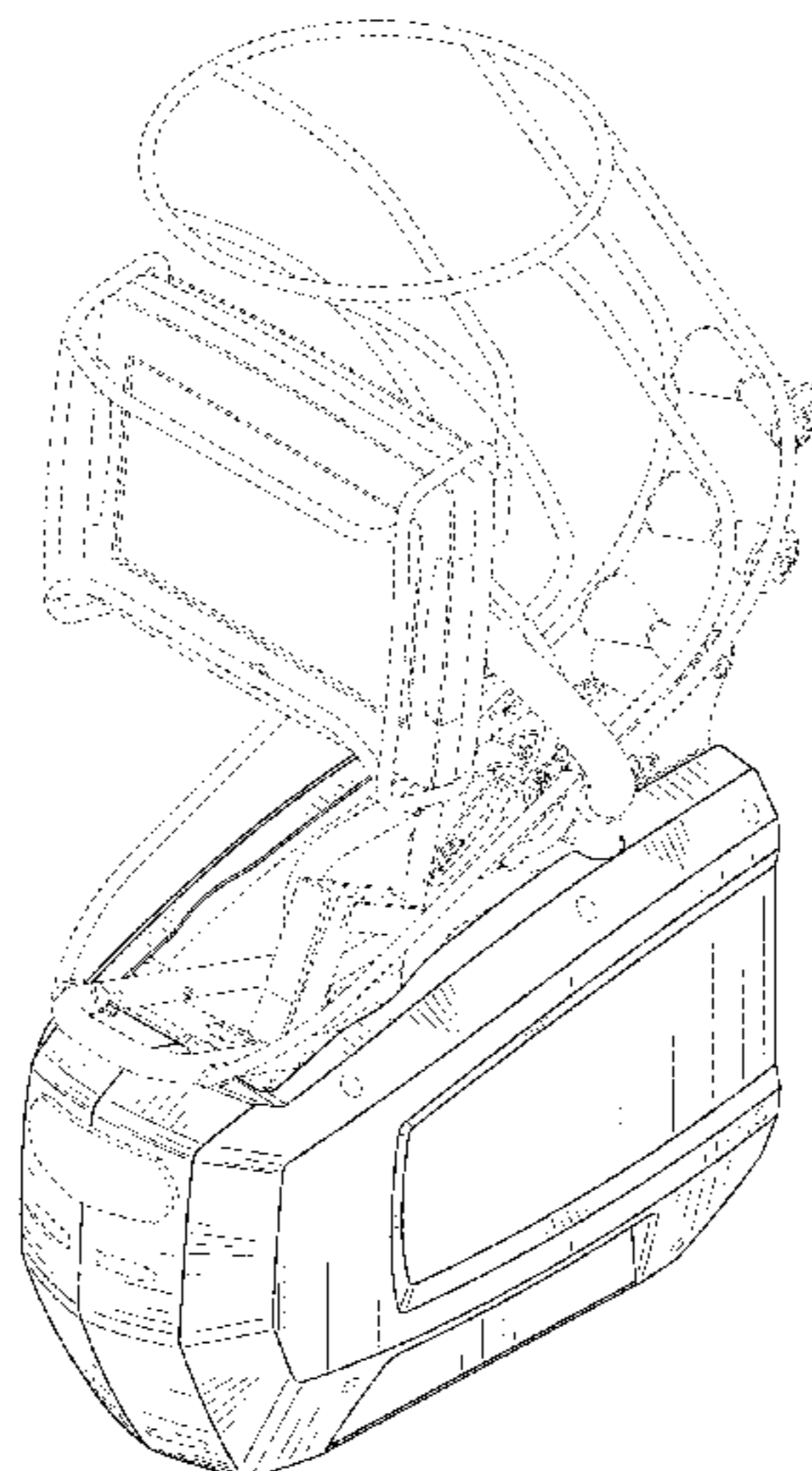
(Continued)

FOREIGN PATENT DOCUMENTS

EP 2271414 6/2014  
RU 2026104 1/1995

(Continued)

**1 Claim, 7 Drawing Sheets**



(56)

References Cited

U.S. PATENT DOCUMENTS

3,802,703 A	4/1974	Van Tassel	9,233,292 B2	1/2016	Joseph et al.
3,878,828 A	4/1975	Francesco	9,248,368 B2	2/2016	Stimac
4,168,695 A	9/1979	Haller et al.	9,283,432 B2	3/2016	Marty et al.
4,262,648 A	4/1981	Wegener et al.	9,345,929 B2	5/2016	Marty et al.
4,269,163 A	5/1981	Feith	9,370,704 B2	6/2016	Marty
4,471,746 A	9/1984	Ando	9,390,501 B2	7/2016	Marty et al.
4,517,953 A	5/1985	Osaka et al.	9,697,617 B2	7/2017	Marty et al.
4,579,340 A	4/1986	Jenkins et al.	9,724,584 B1	8/2017	Campbell et al.
4,667,957 A	5/1987	Joseph	9,734,405 B2	8/2017	Marty et al.
4,678,189 A	7/1987	Koss	9,808,696 B2	11/2017	Campbell et al.
4,714,248 A	12/1987	Koss	9,886,624 B1	2/2018	Marty et al.
4,747,149 A	5/1988	Juhl	10,004,949 B2	6/2018	Brothers et al.
4,913,431 A	4/1990	Jakobs	10,252,133 B2	4/2019	Campbell et al.
4,915,384 A	4/1990	Bear	10,518,153 B2	12/2019	Joseph et al.
4,936,577 A	6/1990	Kington et al.	10,537,780 B2	1/2020	Joseph et al.
4,940,231 A	7/1990	Ehler	D878,504 S *	3/2020	Parham ..... D21/698
4,955,605 A	9/1990	Goldfarb	10,596,436 B1 *	3/2020	Campbell ..... A63B 69/0071
5,016,875 A	5/1991	Joseph	D910,792 S *	2/2021	Johnson ..... D21/781
5,125,651 A	6/1992	Keeling et al.	2001/0052472 A1	12/2001	Ikeda et al.
5,183,253 A	2/1993	Grimaldi et al.	2002/0010032 A1	1/2002	Stiteler
5,312,099 A	5/1994	Oliver, Sr.	2002/0016236 A1	2/2002	Stearns et al.
5,342,041 A	8/1994	Juhl	2002/0072681 A1	6/2002	Schnali
5,365,427 A	11/1994	Soignet et al.	2002/0147404 A1	10/2002	Kato et al.
5,393,049 A	2/1995	Nelson	2003/0023145 A1	1/2003	Lee et al.
5,409,211 A	4/1995	Adamek	2003/0073518 A1	4/2003	Marty et al.
5,417,196 A	5/1995	Morrison et al.	2004/0092840 A1	5/2004	Nakada
5,540,428 A	6/1996	Joseph	2005/0187036 A1	8/2005	Ziola et al.
5,601,284 A	2/1997	Blackwell et al.	2005/0215870 A1	9/2005	Rademaker
5,647,747 A	7/1997	Macri et al.	2006/0057549 A1	3/2006	Prinzel et al.
5,676,120 A	10/1997	Joseph	2006/0138809 A1	6/2006	Joseph
5,681,230 A	10/1997	Krings	2006/0160639 A1	6/2006	Klein
5,746,668 A	5/1998	Ochs	2007/0026974 A1	2/2007	Marty et al.
5,768,151 A	6/1998	Lowy et al.	2007/0026975 A1	2/2007	Marty et al.
5,771,018 A	6/1998	Kennedy	2007/0191150 A1 *	8/2007	Lu ..... A63B 63/083 473/483
5,776,018 A	7/1998	Simpson et al.	2008/0015061 A1	1/2008	Klein
5,813,926 A	9/1998	Vance	2008/0200287 A1	8/2008	Marty et al.
5,842,699 A	12/1998	Mirando et al.	2008/0254866 A1	10/2008	Young et al.
5,980,399 A	11/1999	Campbell et al.	2008/0261726 A1	10/2008	Chipperfield
6,224,503 B1	5/2001	Joseph	2008/0312010 A1	12/2008	Marty et al.
6,241,628 B1	6/2001	Jenkins et al.	2009/0047645 A1	2/2009	Dibenedetto et al.
6,302,811 B1	10/2001	Topham	2009/0137347 A1	5/2009	Jenkins et al.
6,389,368 B1	5/2002	Hampton	2009/0191988 A1	7/2009	Klein
6,458,049 B2	10/2002	Bush	2009/0270743 A1	10/2009	Dugan et al.
6,659,893 B1	12/2003	Campbell et al.	2010/0056307 A1 *	3/2010	Campbell ..... A63B 69/0071 473/433
6,707,487 B1	3/2004	Aman et al.	2010/0113189 A1 *	5/2010	Blair ..... A63B 69/0071 473/433
6,731,316 B2	5/2004	Herigstad et al.	2010/0259412 A1	10/2010	Pagonakis
6,746,397 B2	6/2004	Lee et al.	2010/0261557 A1	10/2010	Joseph et al.
7,094,164 B2	8/2006	Marty et al.	2010/0292033 A1	11/2010	Sarver
7,288,034 B2	10/2007	Woodard et al.	2011/0294585 A1	12/2011	Penna et al.
7,850,552 B2	12/2010	Marty et al.	2012/0115651 A1	5/2012	Chipperfield
7,854,669 B2	12/2010	Marty et al.	2012/0142454 A1	6/2012	Campbell et al.
7,927,237 B2	4/2011	Jenkins et al.	2012/0322587 A1	12/2012	Duke
7,938,746 B2	5/2011	Chipperfield	2013/0005512 A1	1/2013	Joseph et al.
8,012,046 B2 *	9/2011	Campbell ..... A63B 69/0071 473/433	2013/0095959 A1	4/2013	Marty et al.
8,016,687 B2	9/2011	Martin et al.	2013/0130845 A1	5/2013	Marty et al.
8,123,634 B1	2/2012	Lovett	2013/0157786 A1	6/2013	Joseph et al.
8,147,356 B2	4/2012	Campbell et al.	2013/0172058 A1	7/2013	Marty et al.
8,206,246 B2	6/2012	Joseph et al.	2013/0272393 A1	10/2013	Kirenko
D665,041 S *	8/2012	Tolis ..... D21/781	2014/0031703 A1	1/2014	Rayner et al.
8,408,982 B2	4/2013	Marty et al.	2014/0092253 A1	4/2014	Marty et al.
8,409,024 B2	4/2013	Marty et al.	2014/0200692 A1	7/2014	Thurman et al.
8,540,560 B2	9/2013	Crowley et al.	2014/0301601 A1	10/2014	Marty et al.
8,579,632 B2	11/2013	Crowley	2015/0051023 A1 *	2/2015	Aipperspach ..... A63B 69/0071 473/433
8,617,008 B2	12/2013	Marty et al.	2015/0265897 A1	9/2015	Gordon et al.
8,622,832 B2	1/2014	Marty et al.	2016/0121193 A1	5/2016	Marty et al.
8,845,460 B1	9/2014	Feldstein	2016/0144256 A1 *	5/2016	Lee ..... A63B 63/083 473/416
8,852,030 B2 *	10/2014	Campbell ..... A63B 69/409 473/433	2016/0250540 A1	9/2016	Joseph et al.
8,908,922 B2	12/2014	Marty et al.	2016/0263457 A1 *	9/2016	Campbell ..... A63B 71/0616
8,948,457 B2	2/2015	Marty et al.	2016/0325168 A1	11/2016	Campbell et al.
9,010,309 B2	4/2015	Lewis et al.	2016/0332054 A1	11/2016	Smith
9,017,188 B2	4/2015	Joseph et al.	2017/0161561 A1	6/2017	Marty et al.
9,022,016 B1 *	5/2015	Hafer ..... F41B 4/00 124/78	2017/0232298 A1	8/2017	Joseph et al.

(56)

**References Cited**

U.S. PATENT DOCUMENTS

2017/0282044 A1\* 10/2017 Moore ..... A63B 47/02  
2018/0056124 A1 3/2018 Marty et al.

FOREIGN PATENT DOCUMENTS

WO WO 95/30872 11/1995  
WO WO 95/32033 11/1995  
WO WO 2005/062841 7/2005  
WO WO 2009/126982 10/2009

OTHER PUBLICATIONS

Brochure entitled "Sniper: The Ultimate Basketball Trainer." before Oct. 22, 1995, 5 pages including the cover letter.  
Brochure entitled "The All New 8000 Series Gun" by Shoot-A-Way, before Oct. 12, 2011, 12 pages.  
Brochure entitled the Shoot Away: "The perfect Shooting Aid", before Dec. 2, 2011.  
Airborne Athletics, Inc, Dr. Dish Owner's Manual, Aug. 2011, 1-28.  
Vorelco, The Sniper Basketball Training System, <https://www.youtube.com/watch?v=X9SqMy8xdf4>, Uploaded on Jul. 5, 2008.

\* cited by examiner

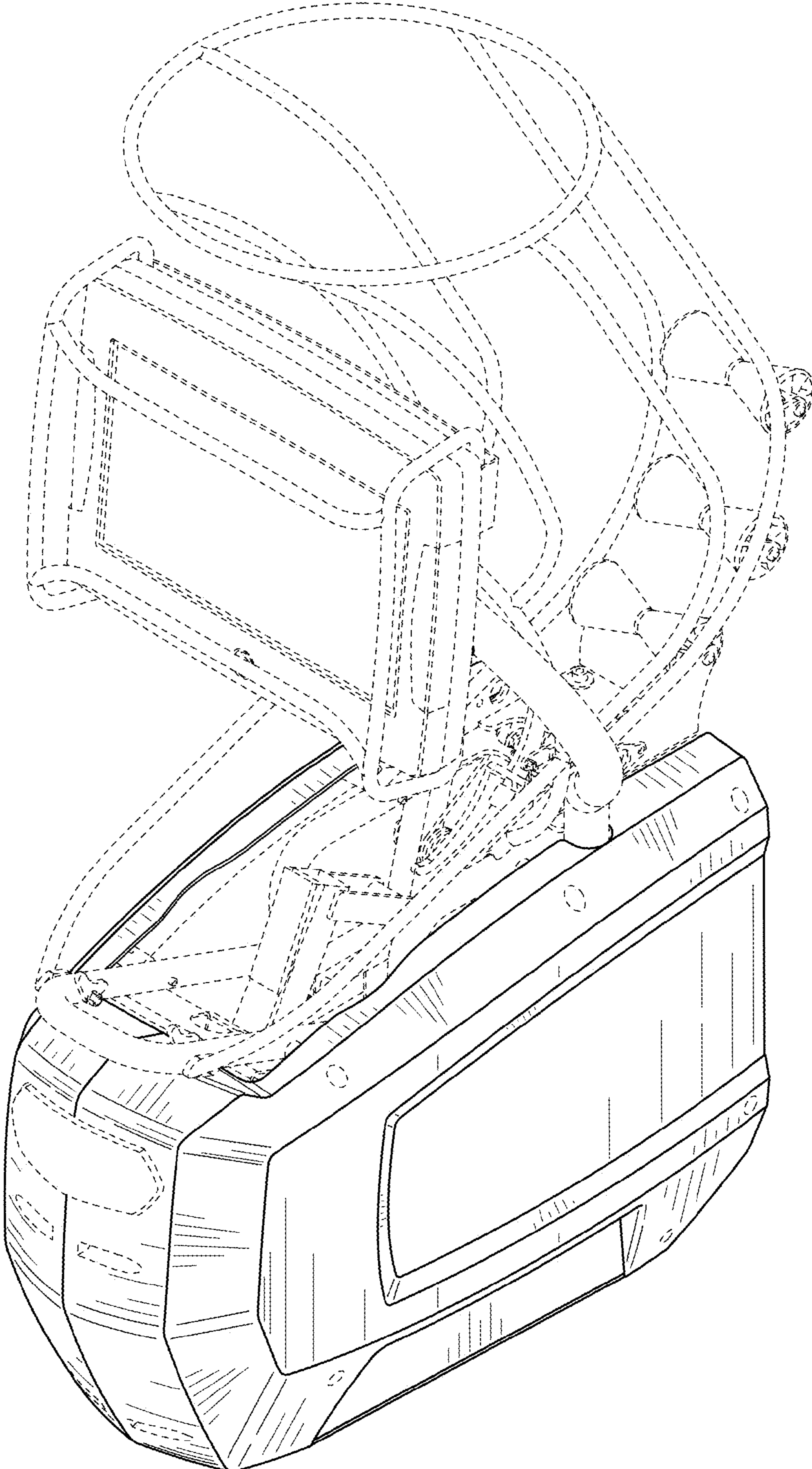


FIG. 1

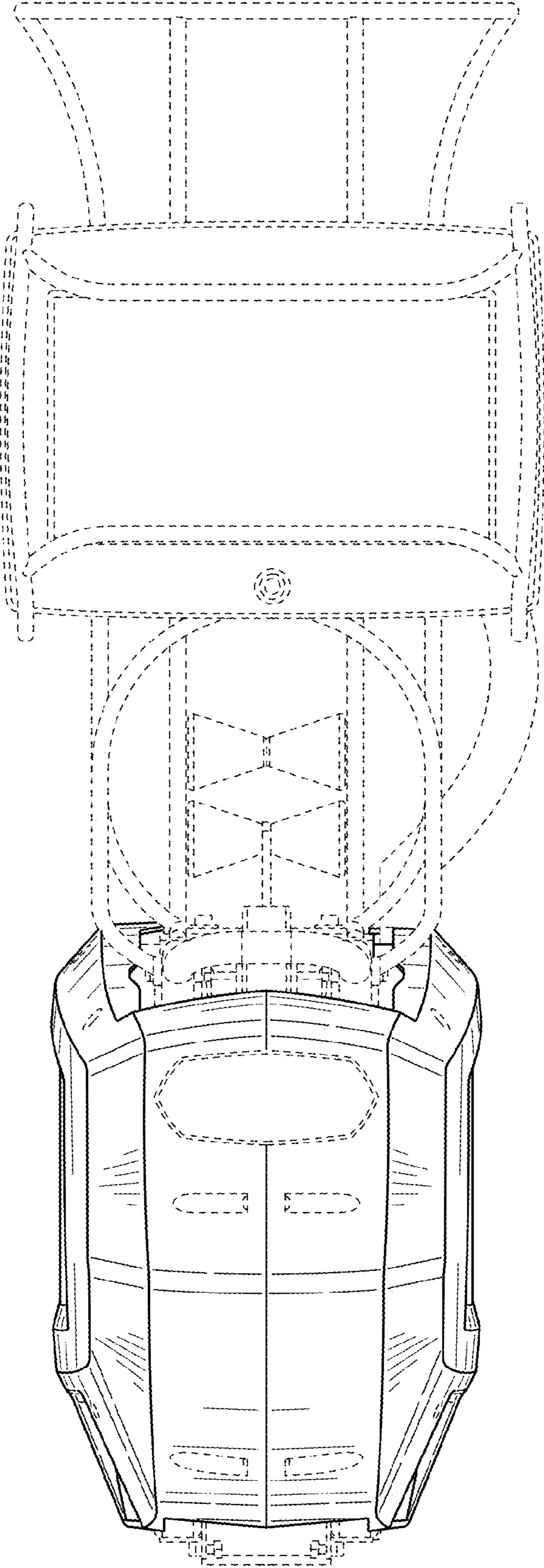


FIG. 2

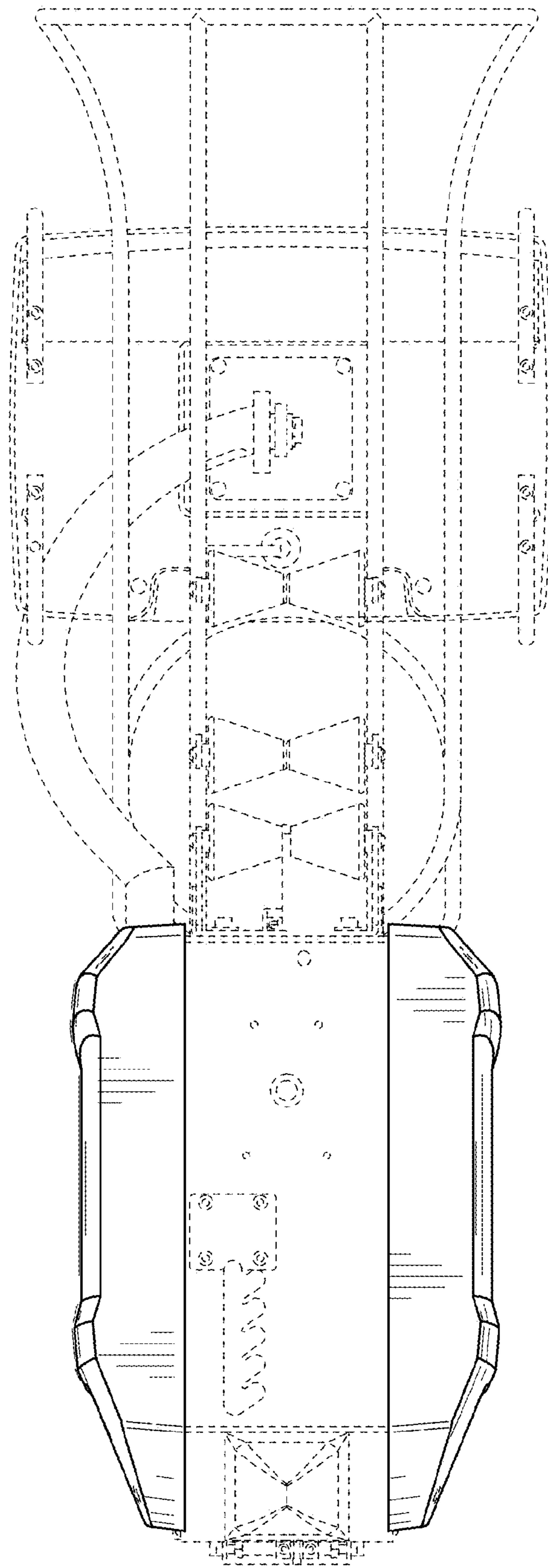


FIG. 3

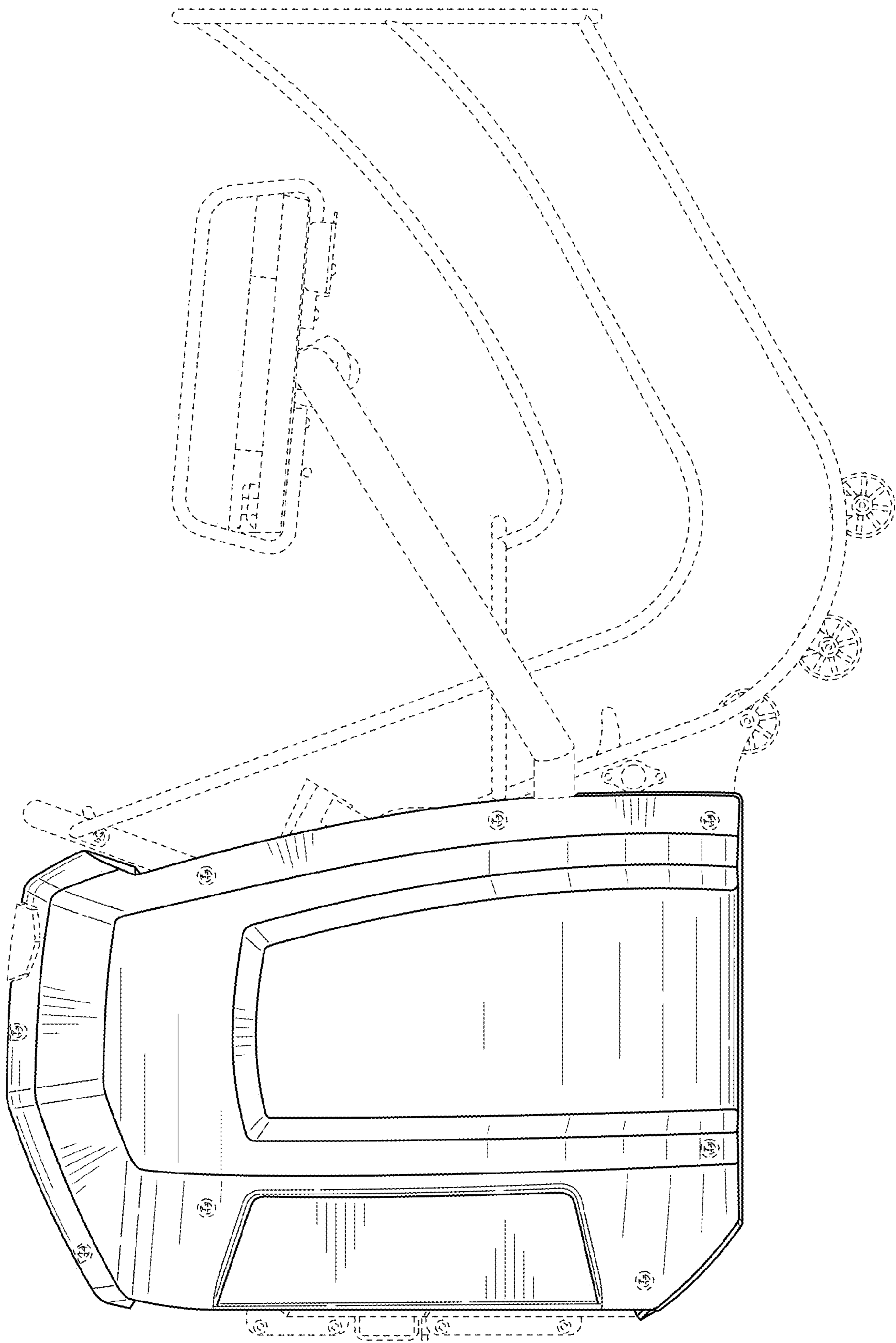


FIG. 4

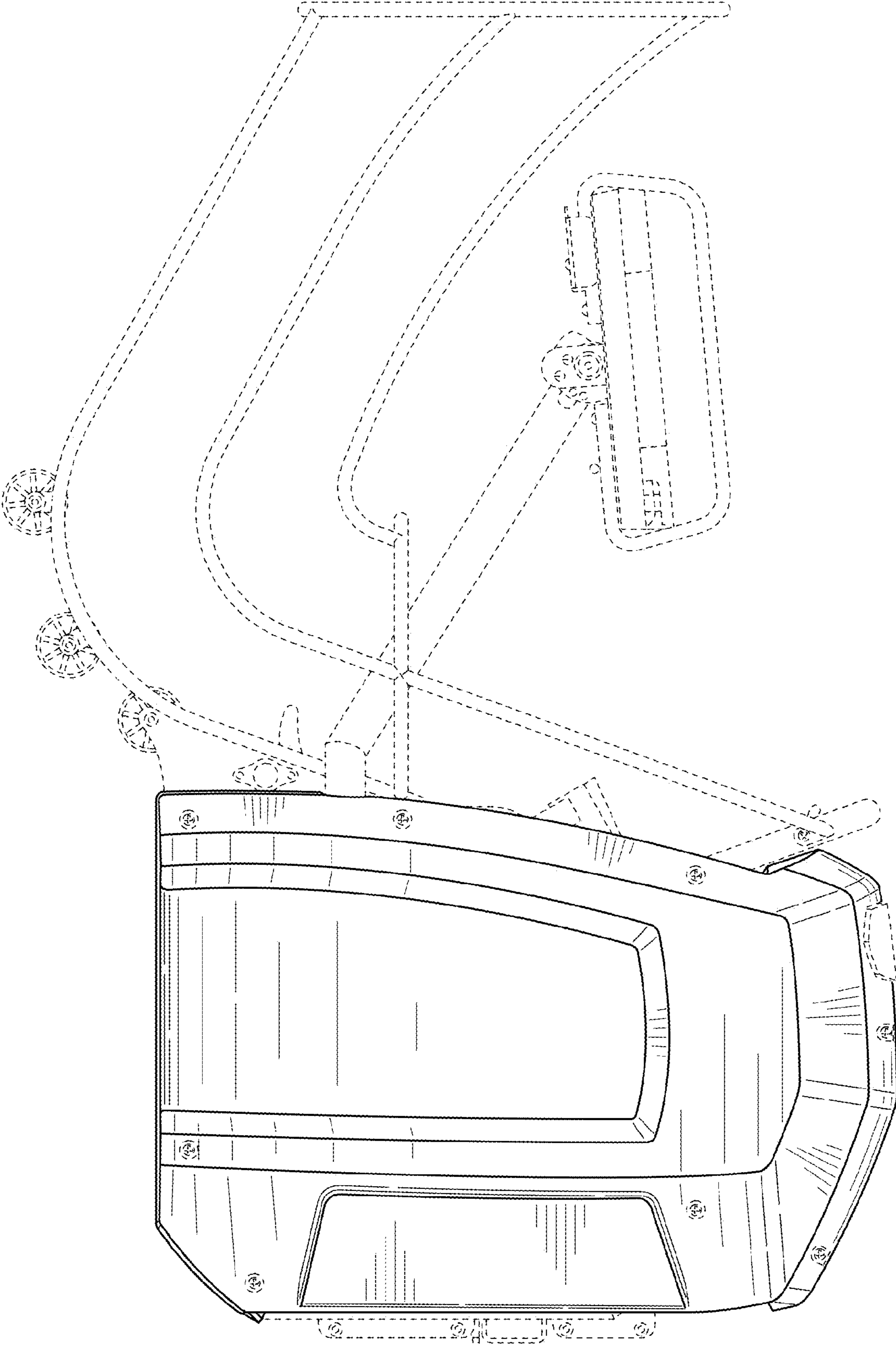


FIG. 5



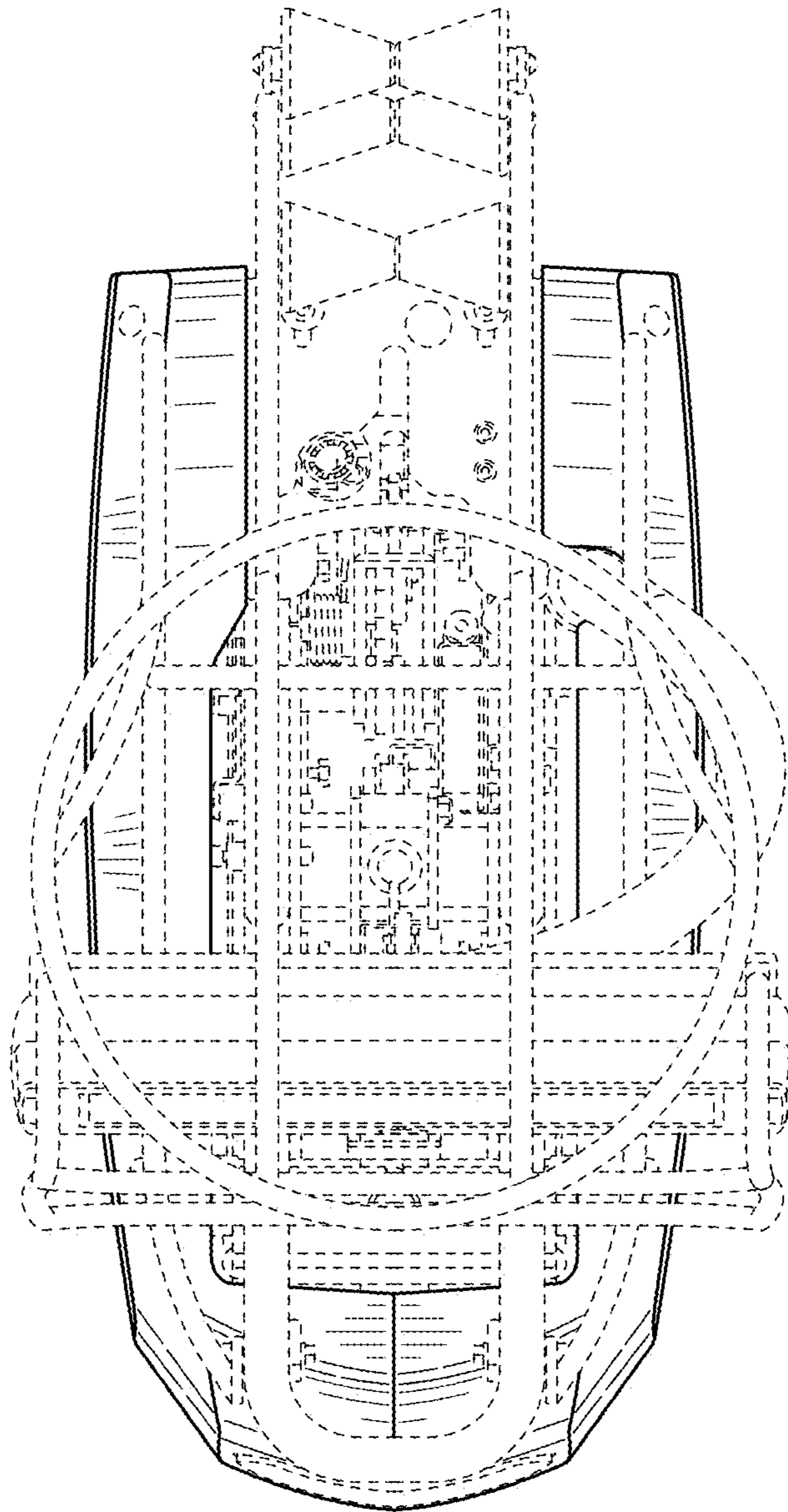


FIG. 6

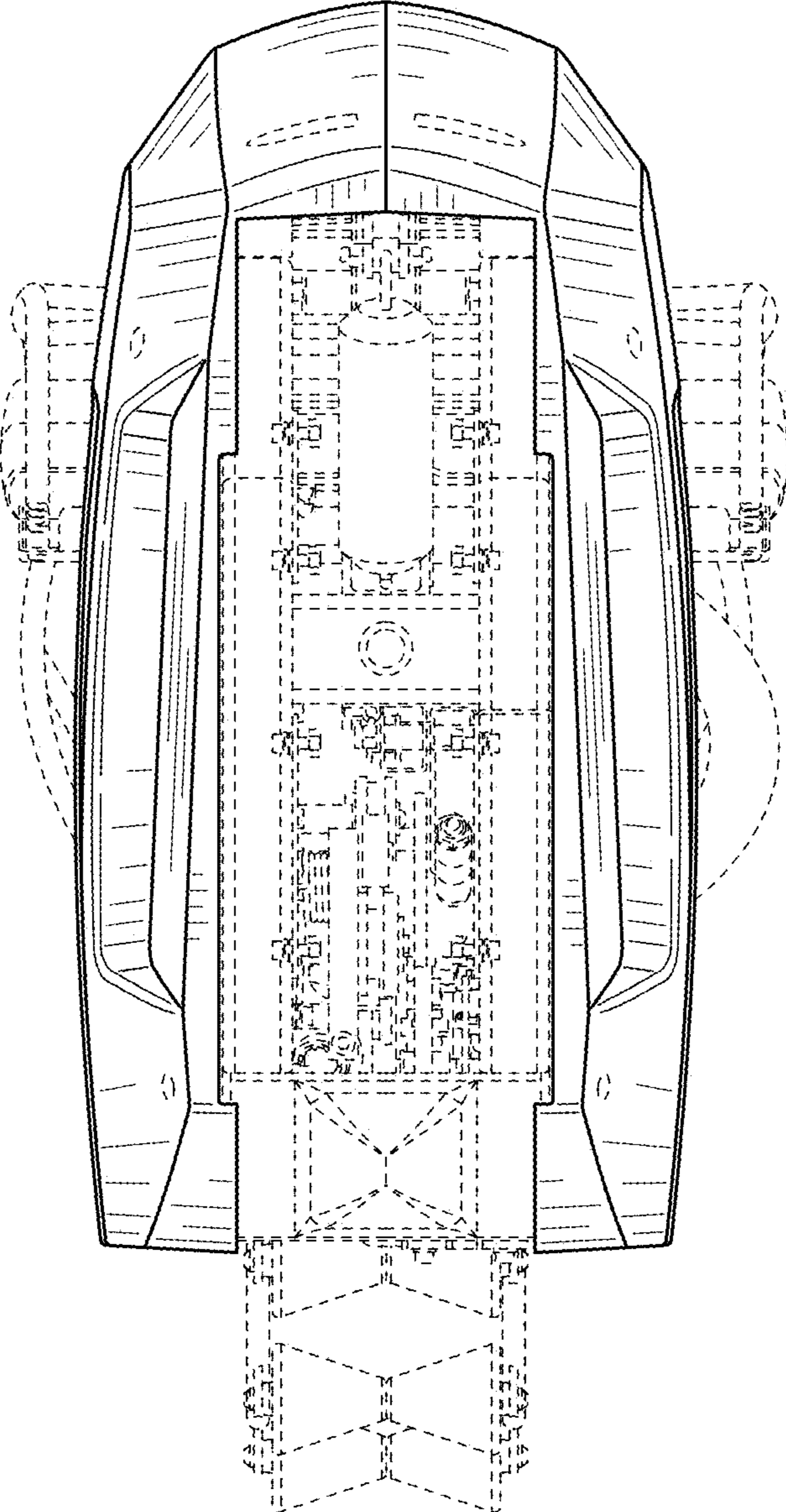


FIG. 7