



US00D972674S

(12) **United States Design Patent**
Clarke et al.

(10) **Patent No.:** **US D972,674 S**

(45) **Date of Patent:** **** Dec. 13, 2022**

(54) **GOLF CLUB HEAD**

(71) Applicant: **KARSTEN MANUFACTURING CORPORATION**, Phoenix, AZ (US)

(72) Inventors: **Jacob T. Clarke**, Apex, NC (US);
Anthony D. Serrano, Phoenix, AZ (US); **Murphy R. Alexander**, Scottsdale, AZ (US)

(73) Assignee: **Karsten Manufacturing Corporation**, Phoenix, AZ (US)

(**) Term: **15 Years**

(21) Appl. No.: **29/767,113**

(22) Filed: **Jan. 20, 2021**

(51) **LOC (13) Cl.** **21-02**

(52) **U.S. Cl.**
USPC **D21/744**

(58) **Field of Classification Search**
USPC D21/736-746, 759
CPC A63B 53/00; A63B 53/04; A63B 53/007;
A63B 53/065; A63B 53/0487; A63B
60/00; A63B 60/46
See application file for complete search history.

(56) **References Cited**

U.S. PATENT DOCUMENTS

D240,751 S	7/1976	Taylor
4,659,083 A	4/1987	Szczepanski
D298,767 S	11/1988	Szczepanski
D316,129 S	4/1991	Bryson
D360,010 S	7/1995	Green
D375,131 S	10/1996	Williams
D382,615 S	8/1997	Schaeffer et al.
5,685,784 A	11/1997	Butler
D399,900 S	10/1998	Hogan
D458,979 S	6/2002	Hill et al.
D488,200 S	4/2004	Olsavsky

D496,417 S	9/2004	Tang
D500,109 S	12/2004	Solheim
D500,110 S	12/2004	Solheim
6,837,801 B1	1/2005	Souza et al.
6,878,071 B1	4/2005	Schwieger et al.
6,893,355 B2	5/2005	Souza et al.
D507,612 S	7/2005	Souza
D507,613 S	7/2005	Baiocchi
6,926,615 B1	8/2005	Souza et al.
6,960,140 B2	11/2005	Solheim et al.
6,966,845 B2	11/2005	Solheim et al.
D520,584 S	5/2006	Karlsen
D521,582 S	5/2006	Souza
7,052,411 B2	5/2006	Solheim et al.
D522,598 S	6/2006	Solheim
7,077,758 B2	7/2006	Rohrer

(Continued)

OTHER PUBLICATIONS

Karsten putters google search; google.com; Jul. 12, 2022.*
ping.com; Jul. 12, 2022.*

Primary Examiner — Mitchell I. Siegel

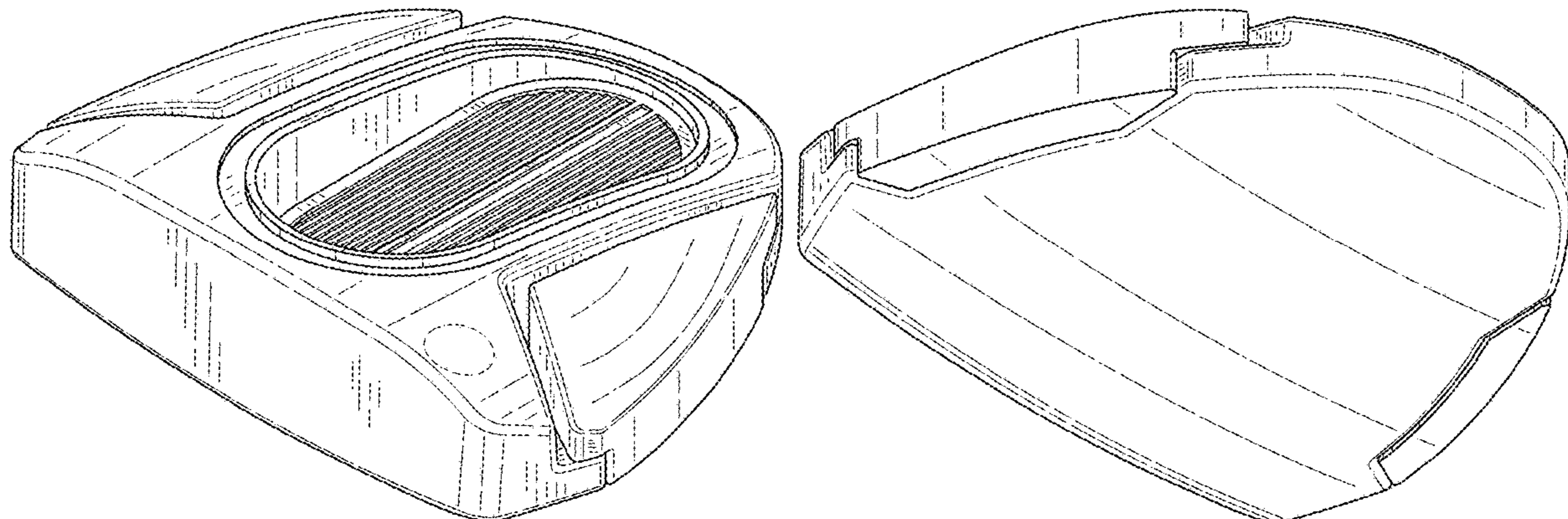
(57) **CLAIM**

The ornamental design for a golf club head, as shown and described.

DESCRIPTION

FIG. 1 is a top perspective view of a golf club head;
FIG. 2 is a bottom perspective view of the golf club head of FIG. 1;
FIG. 3 is a top view of the golf club head of FIG. 1;
FIG. 4 is a bottom view of the golf club head of FIG. 1;
FIG. 5 is a front view of the golf club head of FIG. 1;
FIG. 6 is a rear view of the golf club head of FIG. 1;
FIG. 7 is a heel side view of the golf club head of FIG. 1;
and,
FIG. 8 is a toe side view of the golf club head of FIG. 1.
The broken lines shown form no part of the claimed design.

1 Claim, 5 Drawing Sheets



(56)

References Cited

U.S. PATENT DOCUMENTS

7,086,957 B2 8/2006 Solheim et al.
 D529,108 S 9/2006 Stites
 D533,243 S 12/2006 Fife
 D543,598 S * 5/2007 Kuan D21/736
 7,235,021 B2 6/2007 Solheim et al.
 D548,295 S 8/2007 Jertson
 7,255,650 B2 8/2007 Braynt et al.
 D552,197 S 10/2007 Wells
 D565,137 S 3/2008 Oldknow
 D569,460 S 5/2008 Walker
 D569,462 S 5/2008 Rollinson
 D571,879 S 5/2008 Jones et al.
 7,374,497 B2 5/2008 Brown
 D574,907 S 8/2008 Jones et al.
 D581,473 S 11/2008 Thomas
 D583,003 S 12/2008 Solheim
 D587,325 S 2/2009 Solheim
 D594,073 S 6/2009 Kadoya
 D595,372 S 6/2009 Rollinson
 D600,294 S 9/2009 Mills
 D600,760 S 9/2009 Serrano
 D600,761 S 9/2009 Solheim
 D600,762 S 9/2009 Serrano
 D607,950 S 1/2010 Souza
 D621,458 S 8/2010 Serrano

D621,460 S * 8/2010 Serrano D21/742
 D621,461 S * 8/2010 Serrano D21/742
 D621,462 S * 8/2010 Serrano D21/742
 D621,891 S * 8/2010 Serrano D21/742
 7,803,066 B2 9/2010 Solheim et al.
 D629,476 S * 12/2010 Serrano D21/742
 D638,891 S 5/2011 Nicolette
 D643,080 S * 8/2011 Serrano D21/742
 D643,485 S 8/2011 Nicolette et al.
 D643,486 S * 8/2011 Serrano D21/742
 D643,487 S * 8/2011 Serrano D21/742
 8,100,779 B2 1/2012 Solheim et al.
 D653,718 S 2/2012 Stokke
 8,109,838 B2 2/2012 Solheim et al.
 D664,617 S 7/2012 Serrano
 D715,388 S 10/2014 Serrano
 D735,283 S 7/2015 Solheim
 9,220,690 B2 12/2015 Schartiger et al.
 D754,805 S 4/2016 Serrano
 D774,610 S 12/2016 Serrano et al.
 D776,771 S 1/2017 Peterson
 D797,222 S 9/2017 Serrano et al.
 D832,950 S 11/2018 Serrano
 D933,147 S * 10/2021 Wang D21/744
 2003/0083149 A1 5/2003 Scarpa et al.
 2006/0094533 A1 5/2006 Warren et al.
 2007/0191135 A1 8/2007 Nilsson et al.
 2010/0227704 A1 9/2010 Souza et al.

* cited by examiner

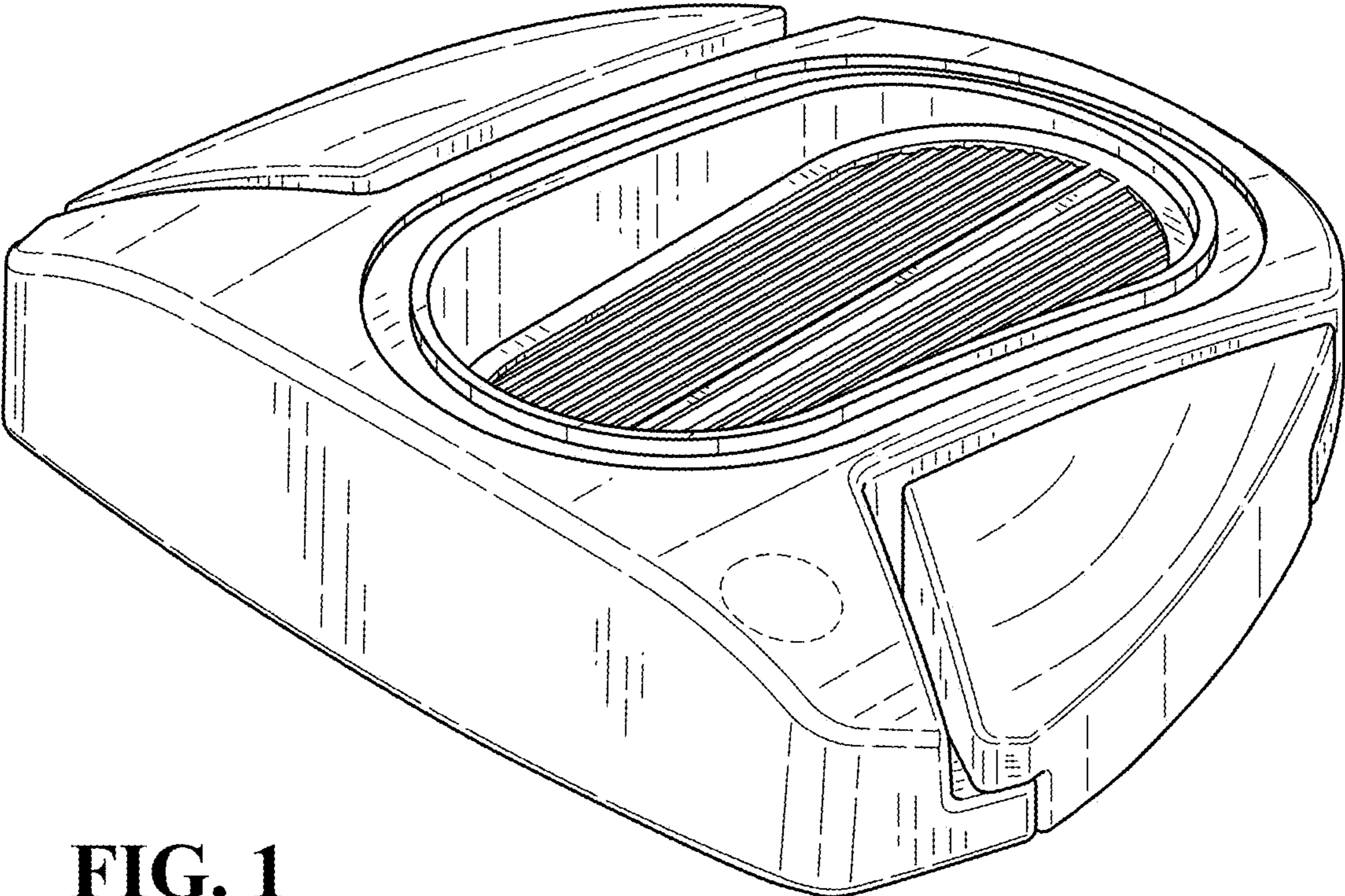


FIG. 1

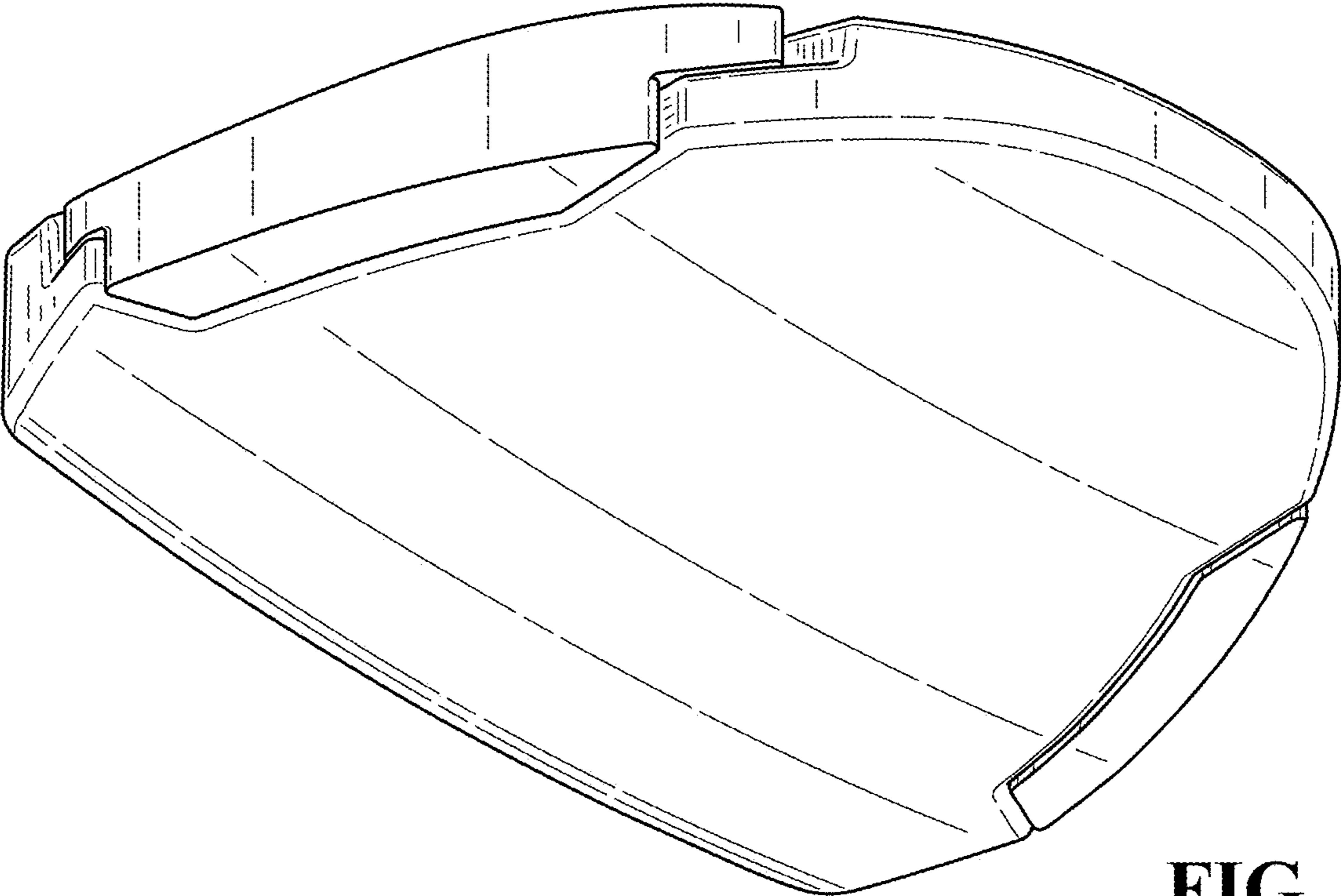


FIG. 2

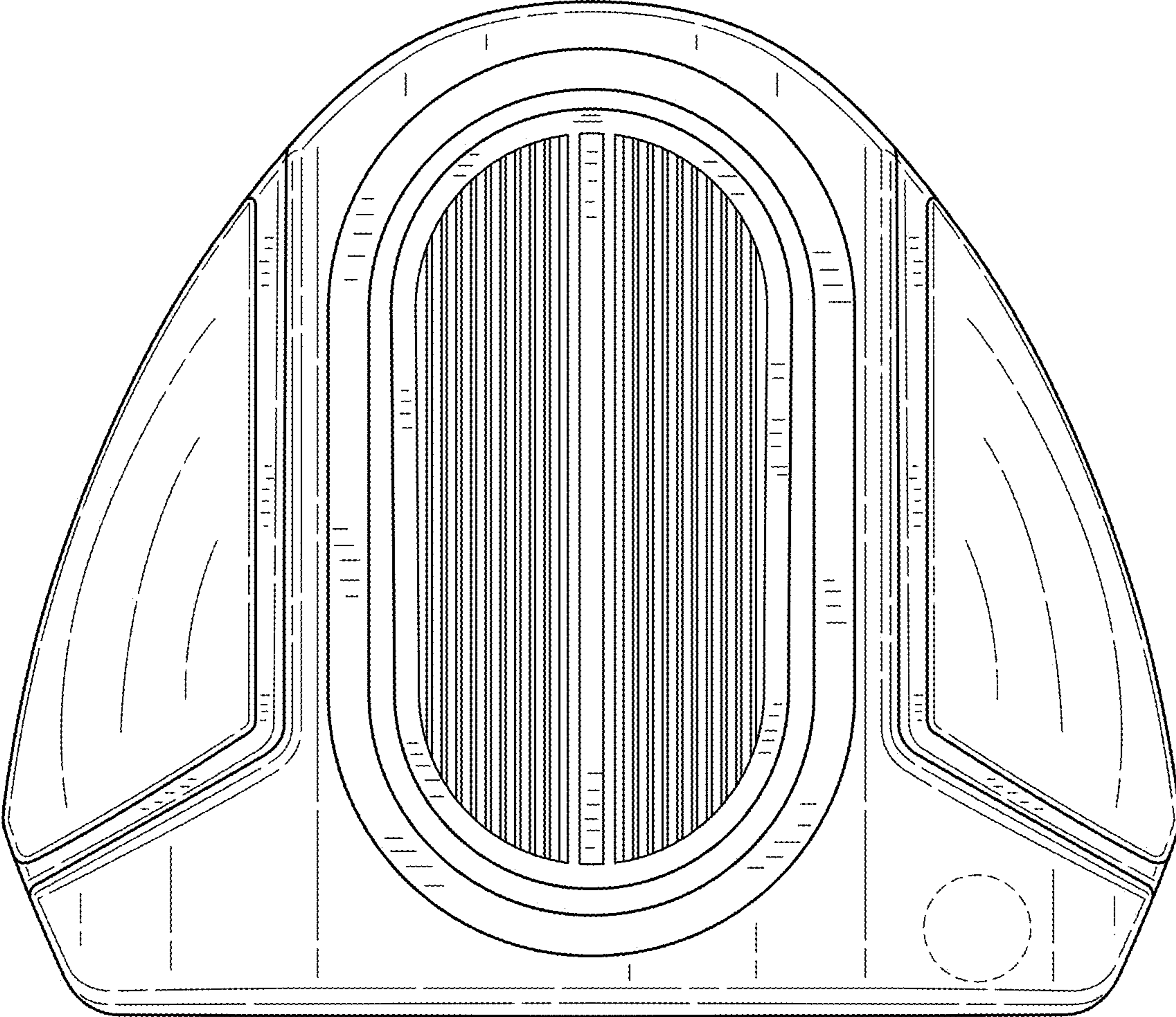


FIG. 3

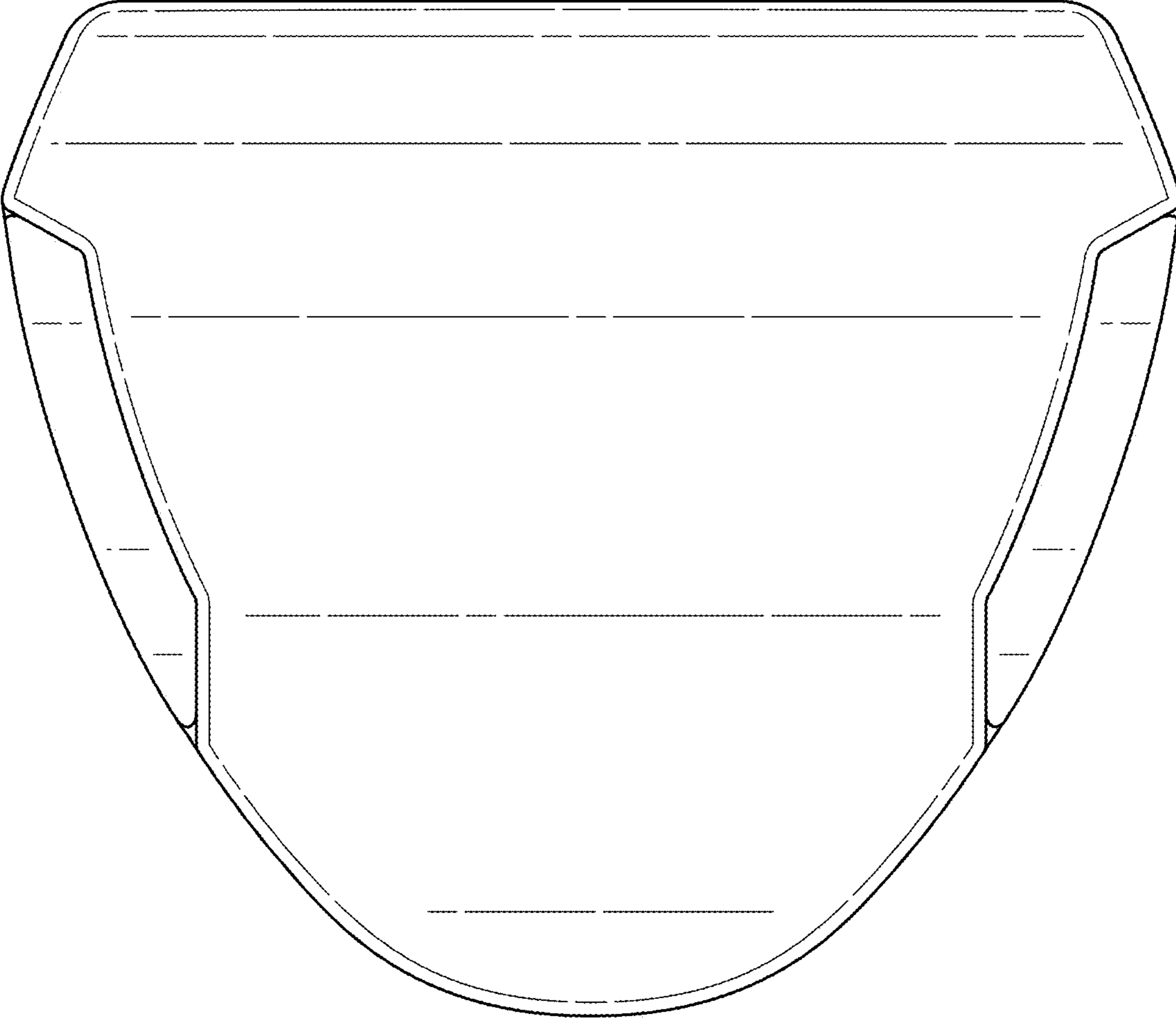


FIG. 4

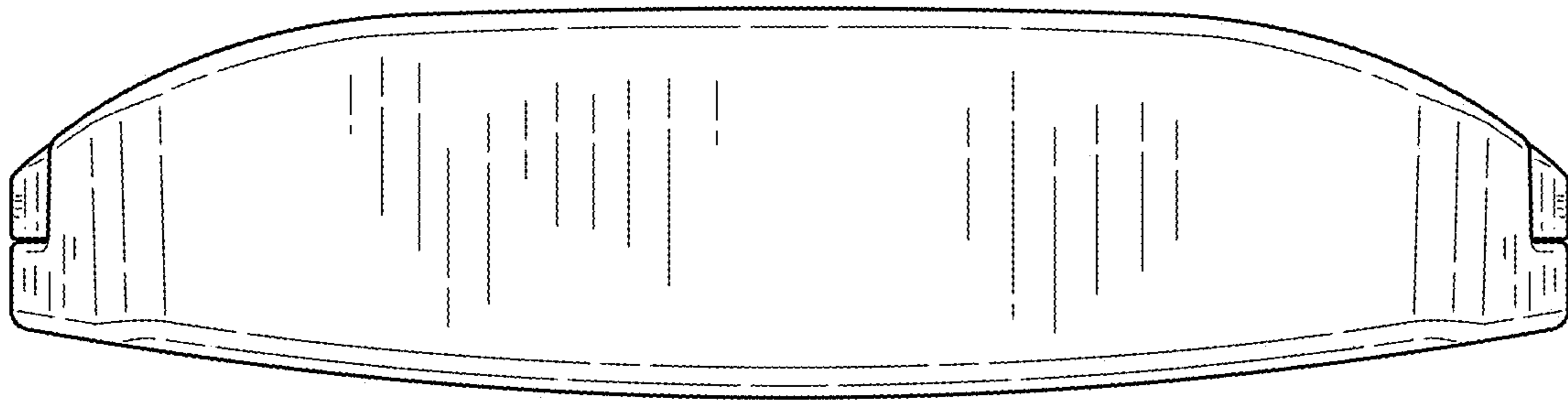


FIG. 5

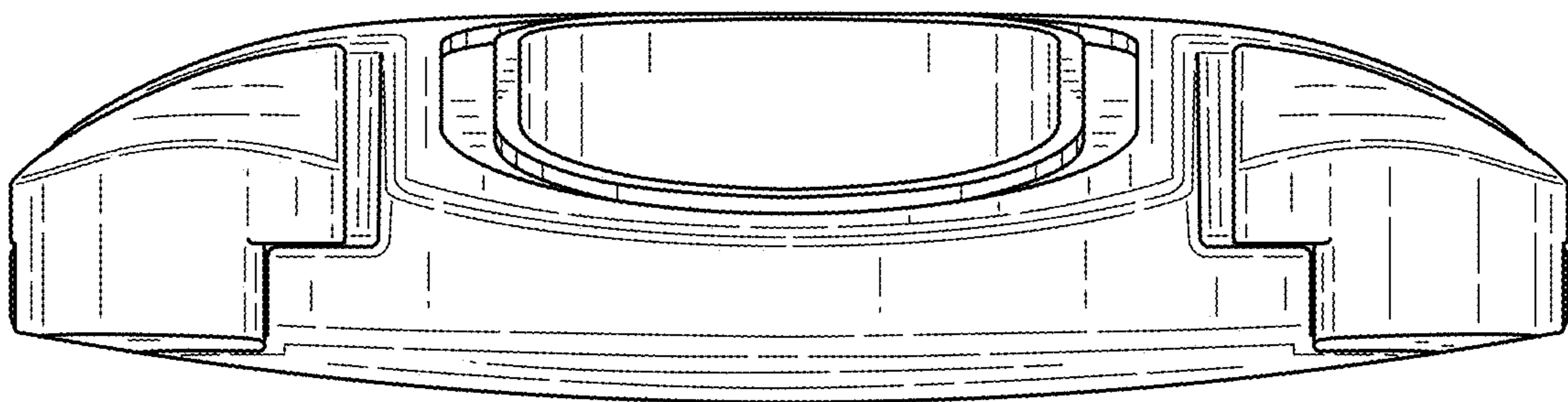


FIG. 6

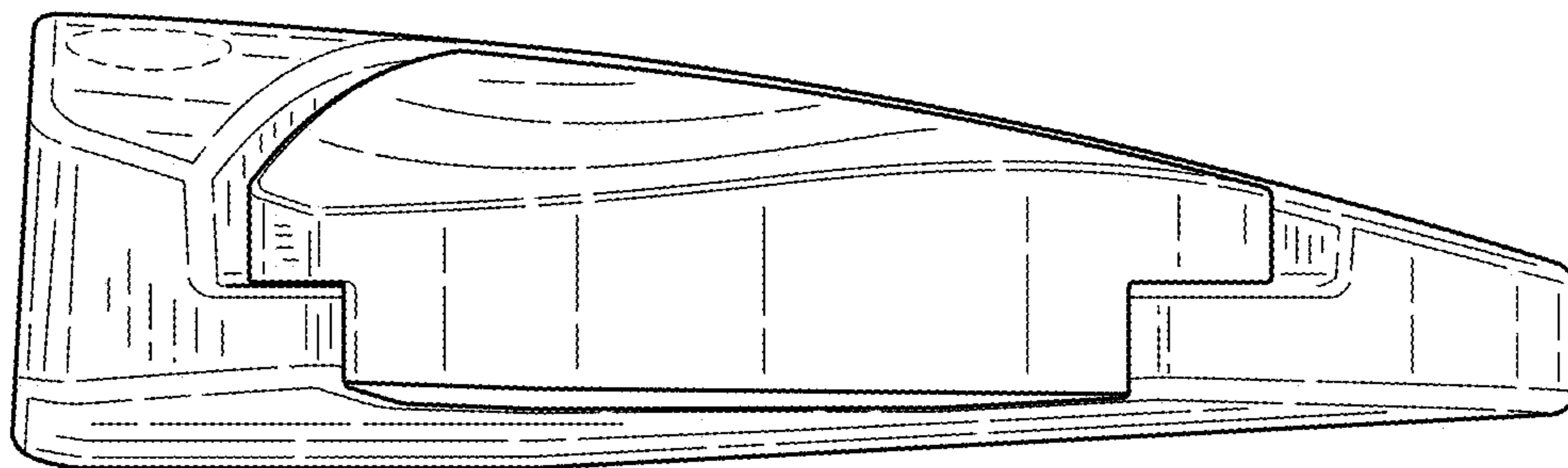


FIG. 7

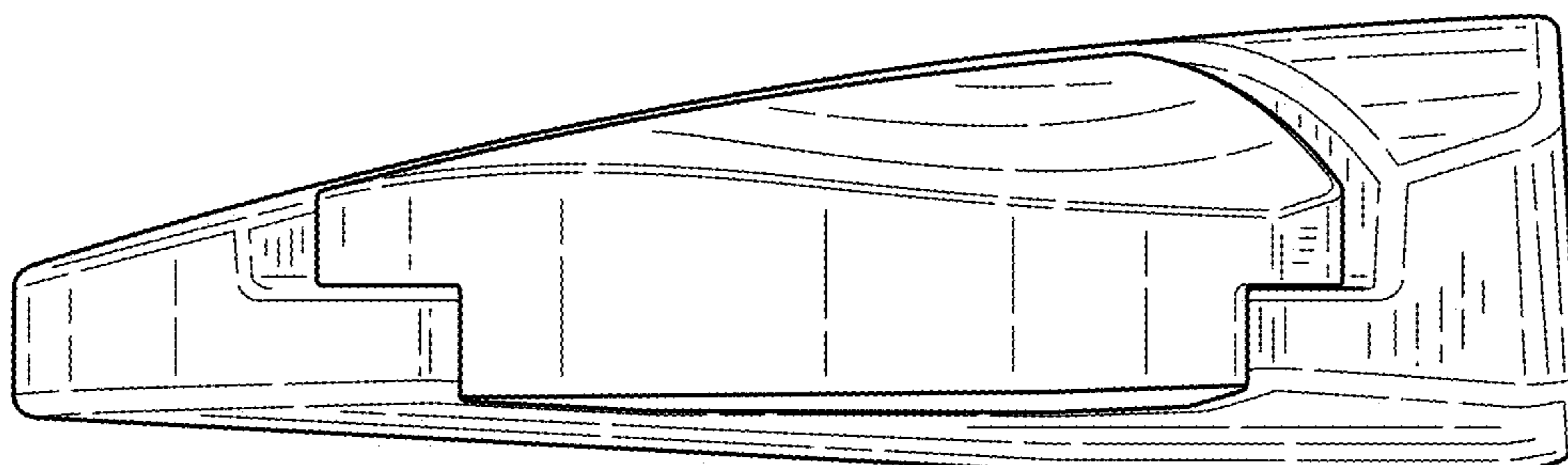


FIG. 8