



US00D972673S

(12) **United States Design Patent**  
**Wang et al.**

(10) **Patent No.:** **US D972,673 S**

(45) **Date of Patent:** **\*\* \*Dec. 13, 2022**

(54) **GOLF CLUB HEAD**

(71) Applicant: **KARSTEN MANUFACTURING CORPORATION**, Phoenix, AZ (US)

(72) Inventors: **Calvin S. Wang**, Chandler, AZ (US);  
**David A. Higdon**, Cave Creek, AZ (US);  
**Murphy R. Alexander**, Scottsdale, AZ (US)

(73) Assignee: **Karsten Manufacturing Corporation**, Phoenix, AZ (US)

(\*) Notice: This patent is subject to a terminal disclaimer.

(\*\*) Term: **15 Years**

(21) Appl. No.: **29/754,122**

(22) Filed: **Oct. 6, 2020**

(51) **LOC (13) Cl.** ..... **21-02**

(52) **U.S. Cl.**  
USPC ..... **D21/744**

(58) **Field of Classification Search**  
USPC ..... D21/736-746, 752  
CPC ..... A63B 53/00; A63B 53/04; A63B 53/007;  
A63B 53/065; A63B 53/0487; A63B 60/00; A63B 60/46  
See application file for complete search history.

(56) **References Cited**

**U.S. PATENT DOCUMENTS**

D240,751 S	7/1976	Taylor
4,659,083 A	4/1987	Szczepanski
D298,767 S	11/1988	Szczepanski
D316,129 S	4/1991	Bryson
D360,010 S	7/1995	Green
D375,131 S	10/1996	Williams
D382,615 S	8/1997	Schaeffer et al.
5,685,784 A	11/1997	Butler

D399,900 S	10/1998	Hogan	
D458,979 S	6/2002	Hill et al.	
D488,200 S	4/2004	Olsavsky	
D496,417 S	9/2004	Tang	
D500,109 S	12/2004	Solheim	
D500,110 S	12/2004	Solheim	
6,837,801 B1	1/2005	Souza et al.	
6,878,071 B1	4/2005	Schwieger et al.	
6,893,355 B2	5/2005	Souza et al.	
D507,612 S	7/2005	Souza	
D507,613 S	7/2005	Baiocchi	
6,926,615 B1	8/2005	Souza et al.	
6,960,140 B2	11/2005	Solheim et al.	
6,966,845 B2	11/2005	Solheim et al.	
D520,583 S *	5/2006	Rollinson	..... D21/742
D520,584 S	5/2006	Karlsen	
D521,582 S	5/2006	Souza	
7,052,411 B2	5/2006	Solheim et al.	
D522,598 S	6/2006	Solheim	
7,077,758 B2	7/2006	Rohrer	
7,086,957 B2	8/2006	Solheim et al.	

(Continued)

Primary Examiner — Mitchell I. Siegel

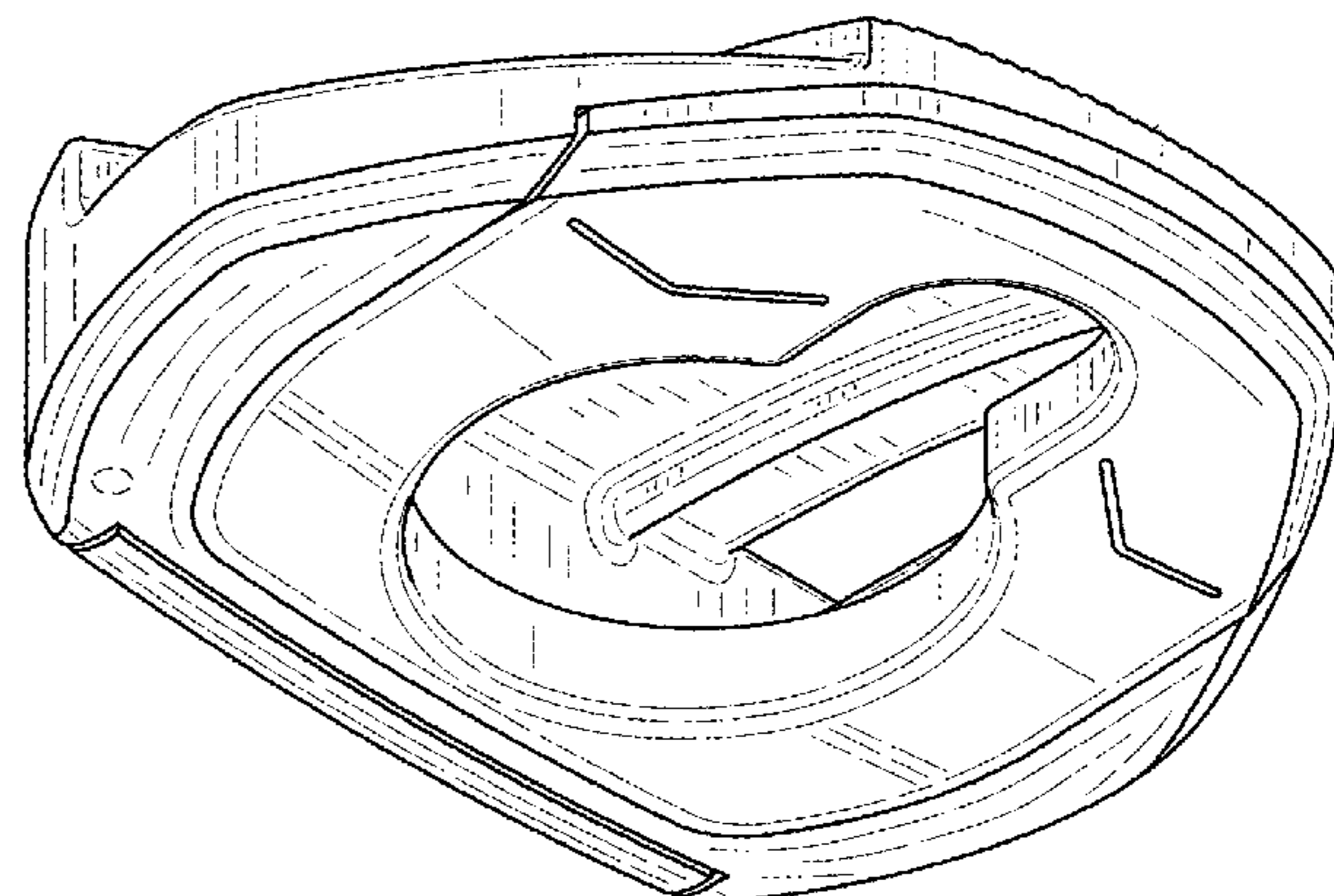
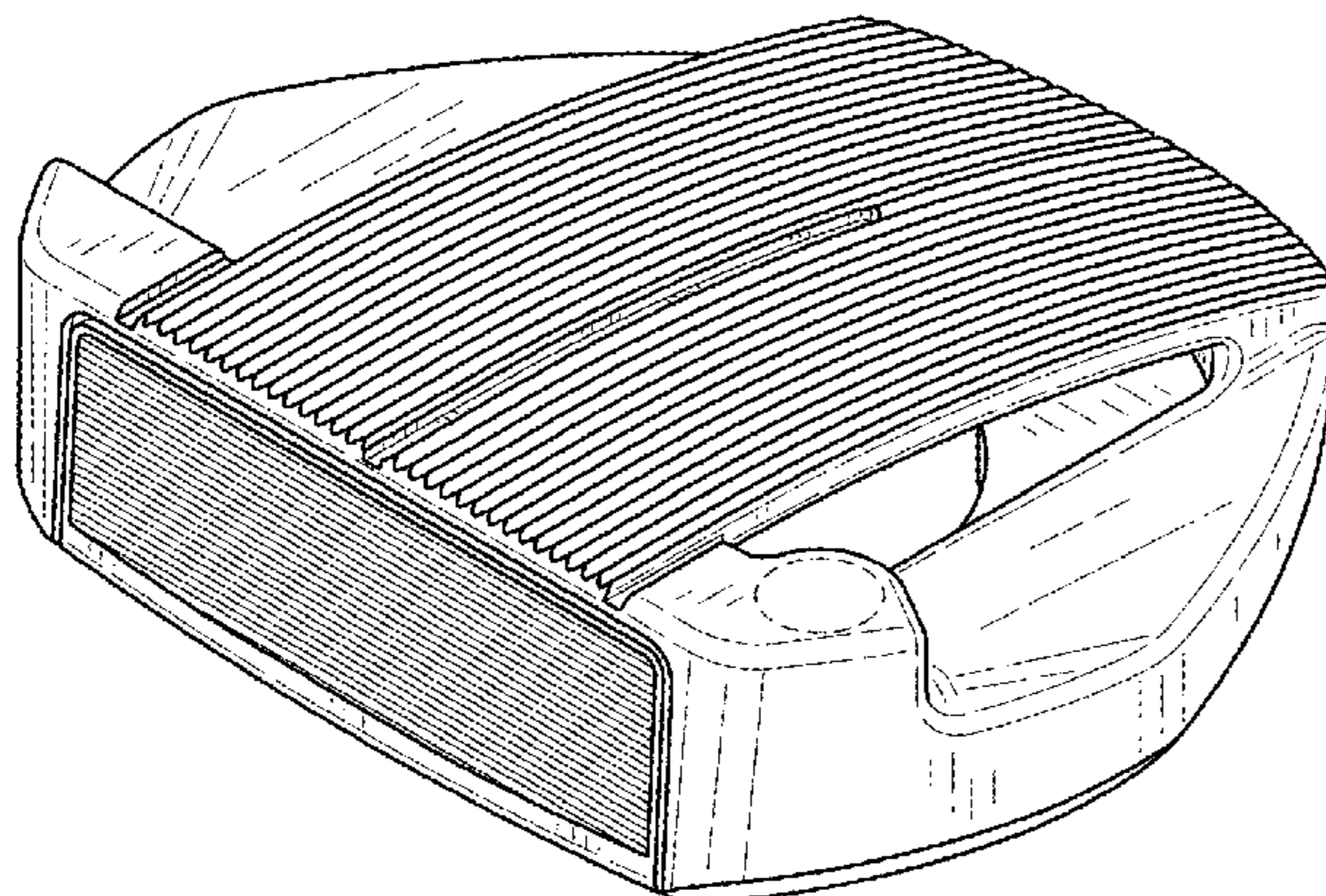
(57) **CLAIM**

The ornamental design for a golf club head, as shown and described.

**DESCRIPTION**

FIG. 1 is a top perspective view of a golf club head; FIG. 2 is a bottom perspective view of the golf club head of FIG. 1; FIG. 3 is a top view of the golf club head of FIG. 1; FIG. 4 is a bottom view of the golf club head of FIG. 1; FIG. 5 is a front view of the golf club head of FIG. 1; FIG. 6 is a rear view of the golf club head of FIG. 1; FIG. 7 is a heel side view of the golf club head of FIG. 1; and, FIG. 8 is a toe side view of the golf club head of FIG. 1. The broken lines shown on the drawings form no part of the claimed design.

**1 Claim, 5 Drawing Sheets**



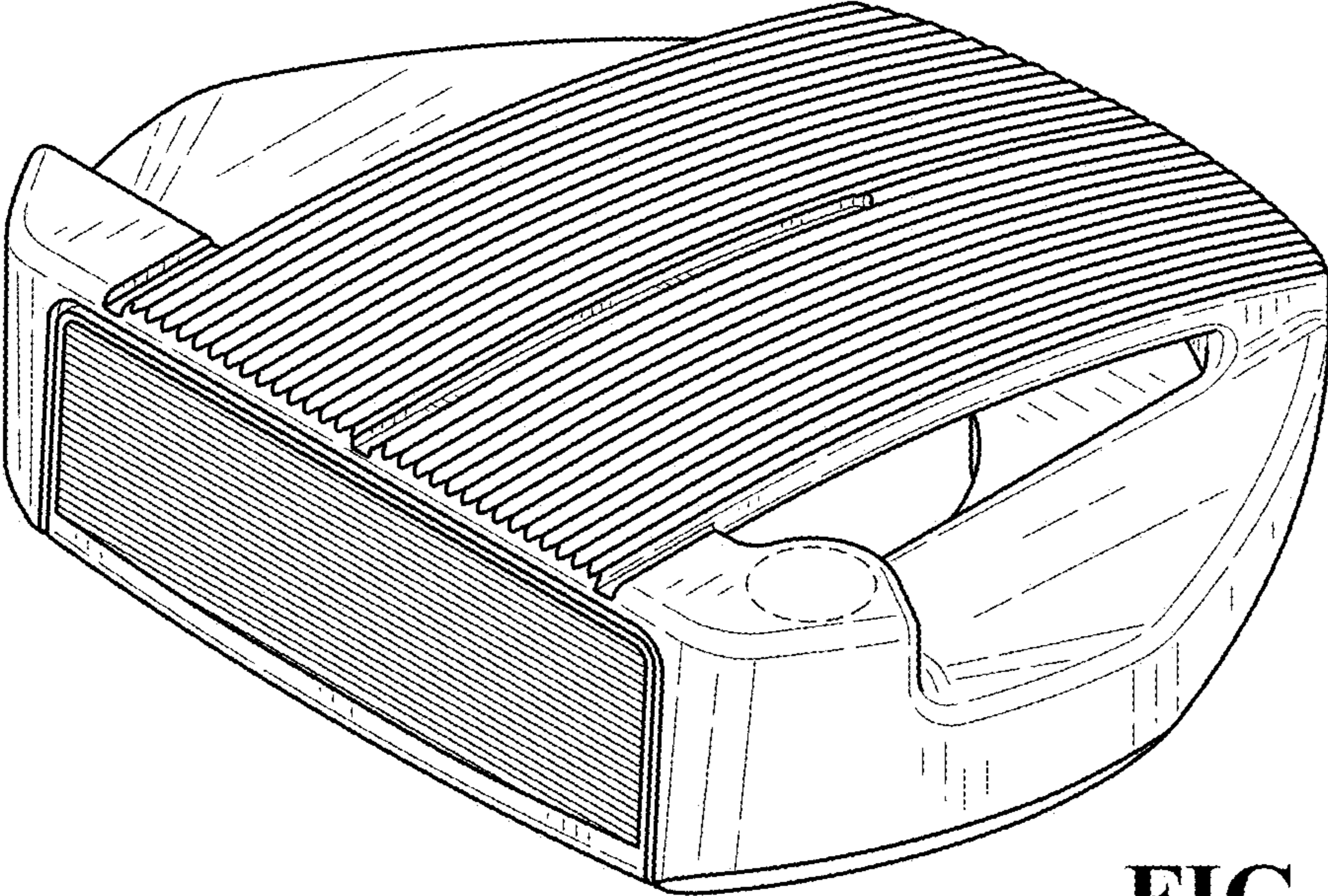
(56)

References Cited

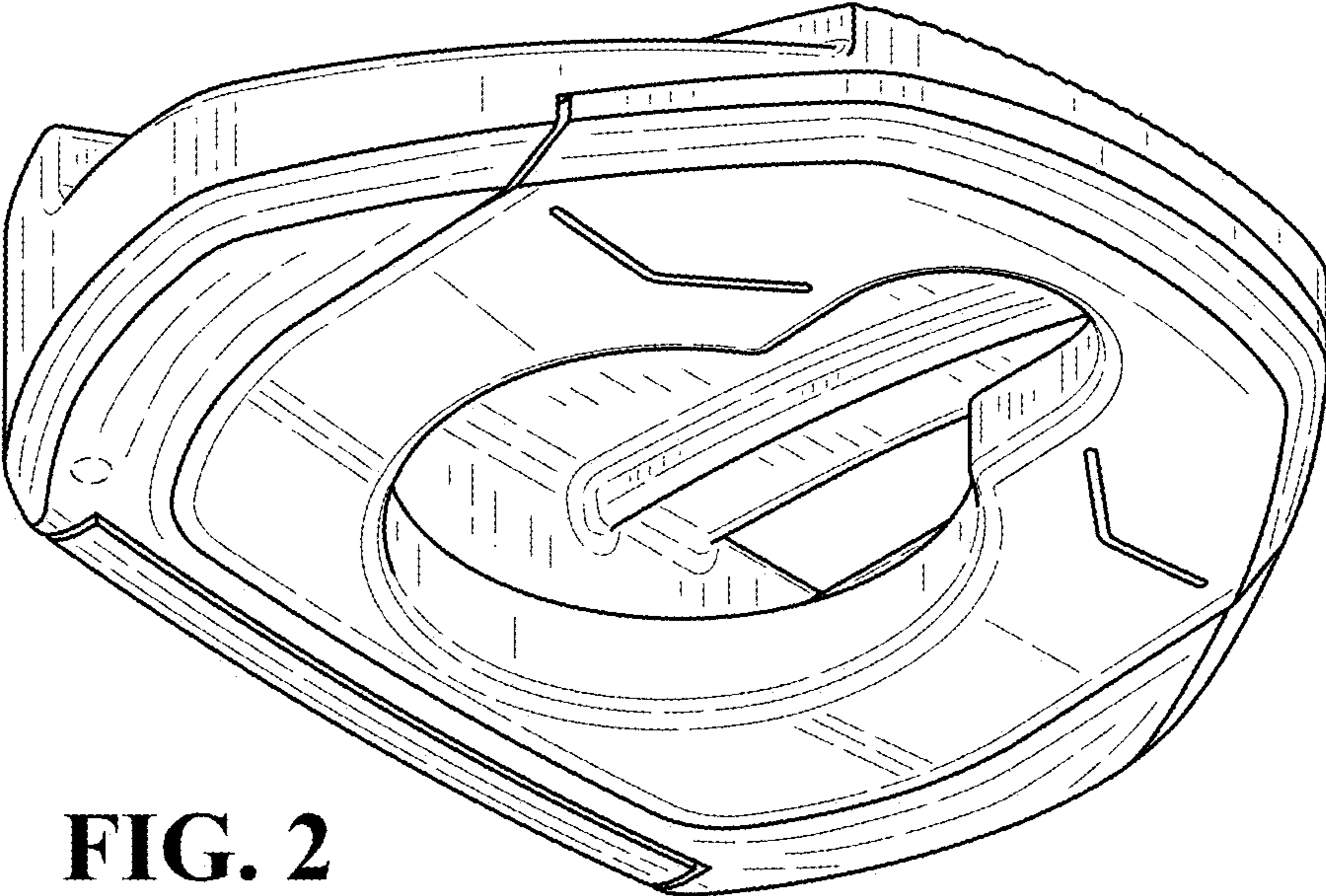
U.S. PATENT DOCUMENTS

D529,108 S	9/2006	Stites	D643,485 S *	8/2011	Nicolette	D21/736
D533,243 S	12/2006	Fife	D643,486 S	8/2011	Serrano	
7,235,021 B2	6/2007	Solheim et al.	D643,487 S	8/2011	Serrano	
D548,295 S	8/2007	Jertson	8,100,779 B2	1/2012	Solheim et al.	
7,255,650 B2	8/2007	Braynt et al.	D653,718 S *	2/2012	Stokke	D21/743
D552,197 S	10/2007	Wells	8,109,838 B2	2/2012	Solheim et al.	
D565,137 S	3/2008	Oldknow	D664,617 S *	7/2012	Serrano	D21/743
D569,460 S *	5/2008	Walker	D715,388 S *	10/2014	Serrano	D21/743
D569,462 S *	5/2008	Rollinson	D735,283 S	7/2015	Solheim	
D571,879 S	5/2008	Jones et al.	D754,805 S	4/2016	Serrano	
D574,907 S	8/2008	Jones et al.	D774,607 S *	12/2016	Serrano	D21/743
D581,473 S	11/2008	Thomas	D774,610 S *	12/2016	Serrano	D21/744
D583,003 S	12/2008	Solheim	D776,771 S	1/2017	Peterson	
D587,325 S	2/2009	Solheim	D777,269 S *	1/2017	Becktor	D21/742
D591,806 S *	5/2009	Cameron	D793,502 S *	8/2017	Cardani	D21/743
D594,073 S	6/2009	Kadoya	D797,222 S	9/2017	Serrano et al.	
D595,372 S	6/2009	Rollinson	D827,064 S *	8/2018	Wypych	D21/743
D600,294 S	9/2009	Mills	D832,950 S	11/2018	Serrano	
D600,760 S	9/2009	Serrano	D840,482 S	2/2019	Serrano et al.	
D600,761 S	9/2009	Solheim	D861,092 S *	9/2019	Glorioso	D21/743
D600,762 S	9/2009	Serrano	D864,325 S *	10/2019	Rollinson	D21/743
D607,950 S	1/2010	Souza	D879,222 S *	3/2020	Serrano	D21/742
D621,458 S	8/2010	Serrano	D892,956 S *	8/2020	Clarke	D21/744
D621,460 S	8/2010	Serrano	D896,328 S *	9/2020	Clarke	D21/743
D621,461 S	8/2010	Serrano	D898,848 S *	10/2020	Clarke	D21/743
D621,462 S	8/2010	Serrano	D921,141 S *	6/2021	Wang	D21/744
D621,891 S	8/2010	Serrano	D930,097 S *	9/2021	Wang	D21/744
7,803,066 B2	9/2010	Solheim et al.	2003/0083149 A1	5/2003	Scarpa et al.	
D638,891 S	5/2011	Nicolette	2006/0094533 A1	5/2006	Warren et al.	
D643,080 S	8/2011	Serrano	2006/0166755 A1	7/2006	Brown	
			2007/0191135 A1	8/2007	Nilsson et al.	
			2010/0227704 A1	9/2010	Souza et al.	
			2014/0179459 A1	6/2014	Schartiger et al.	

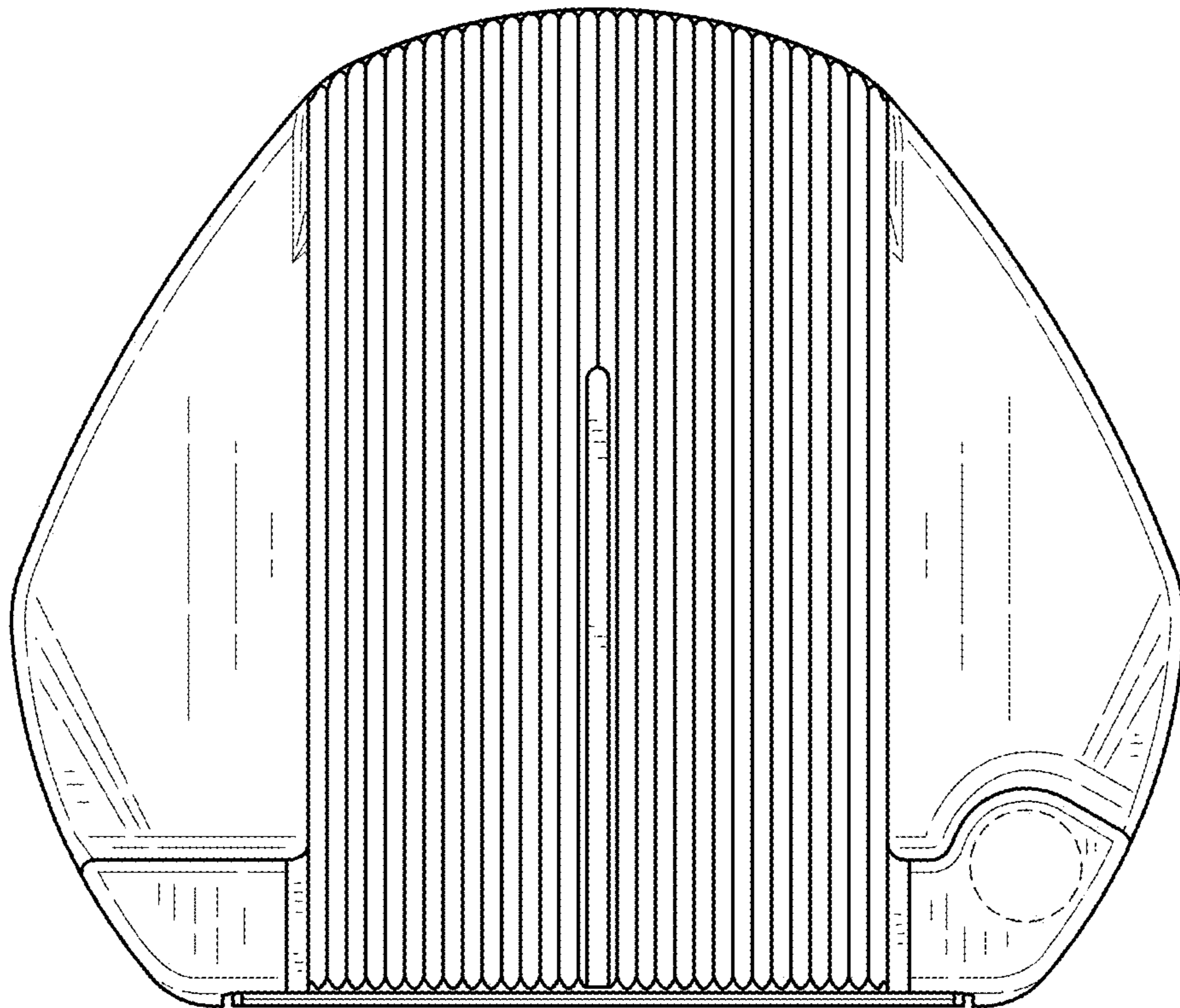
\* cited by examiner



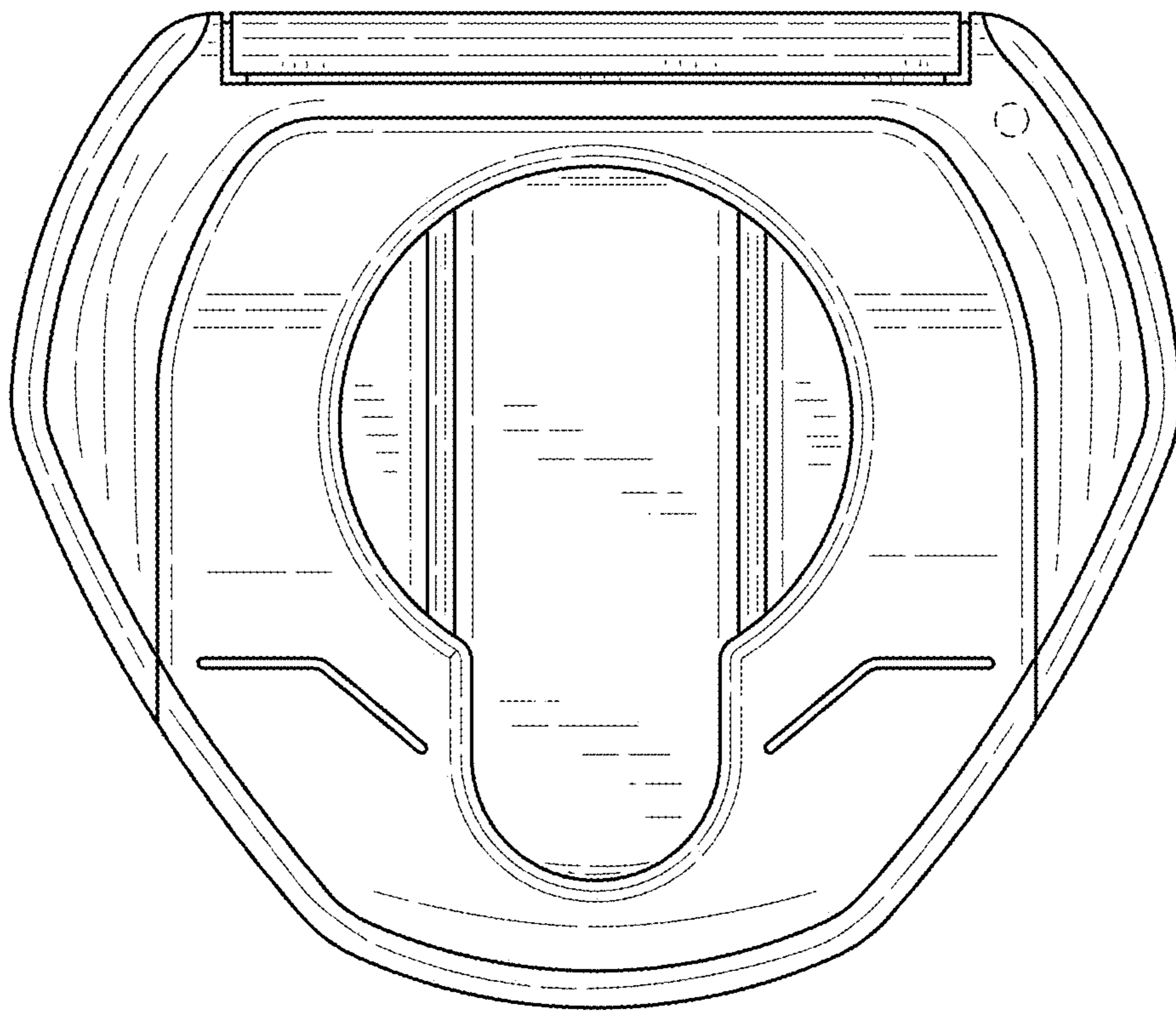
**FIG. 1**



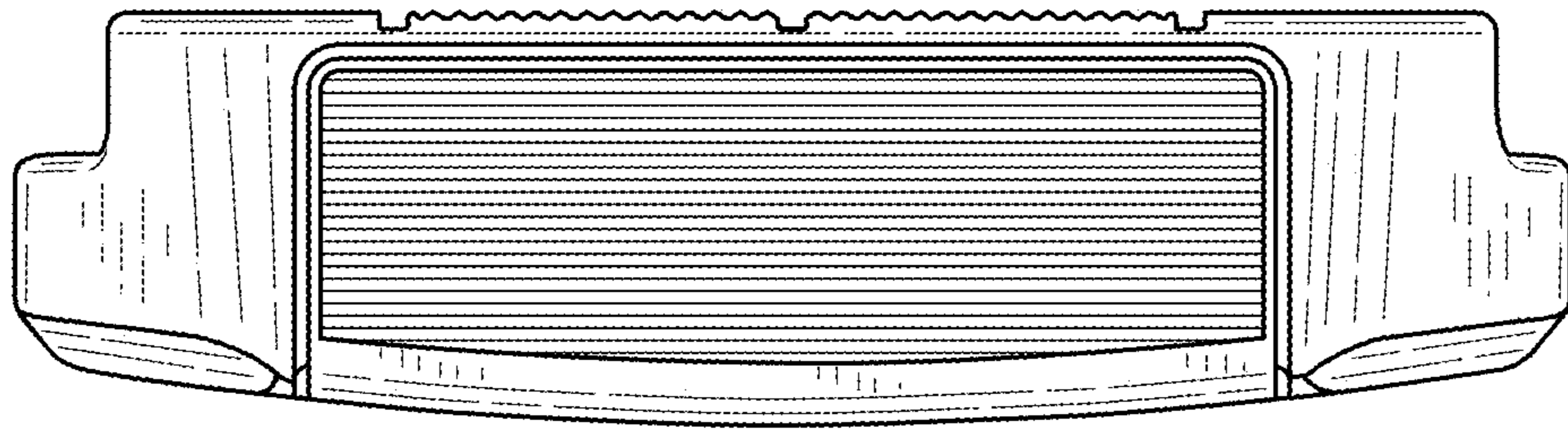
**FIG. 2**



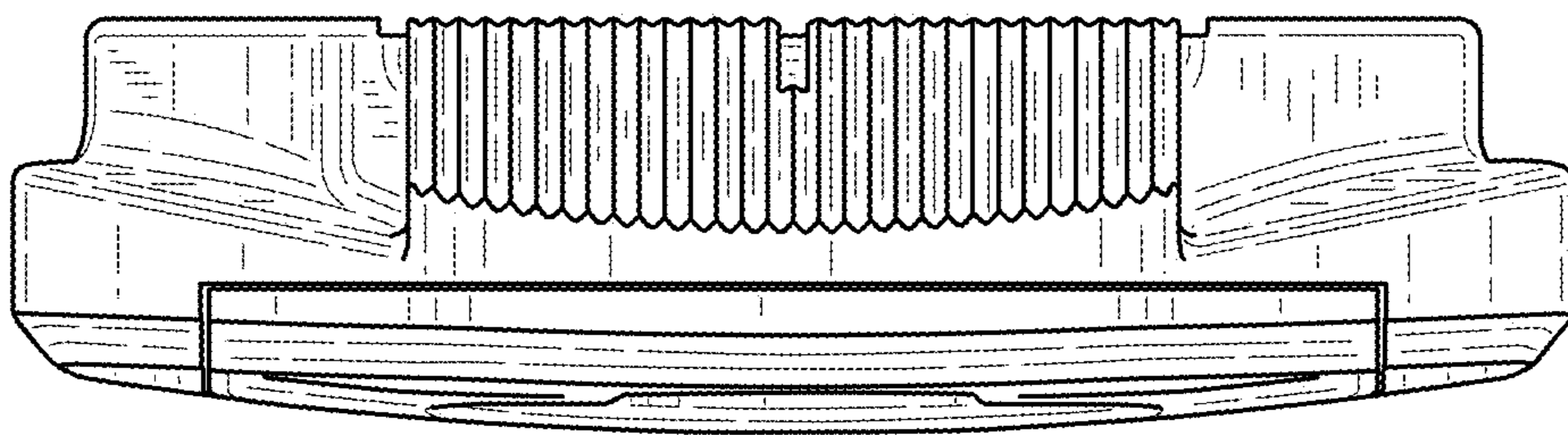
**FIG. 3**



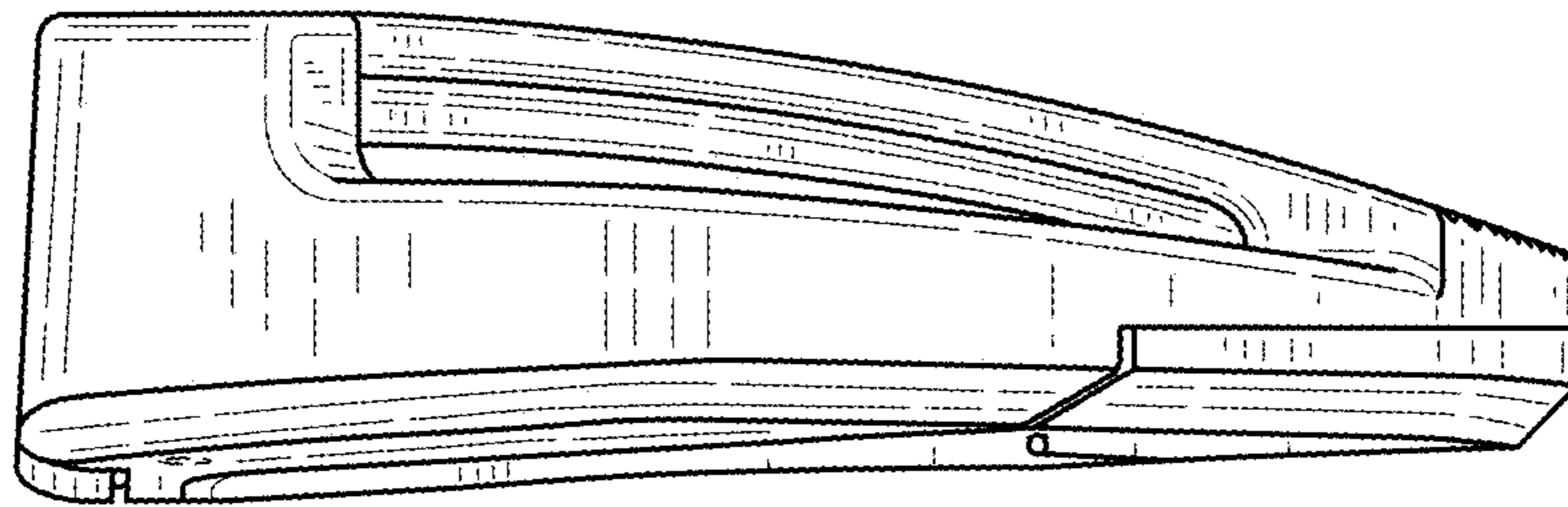
**FIG. 4**



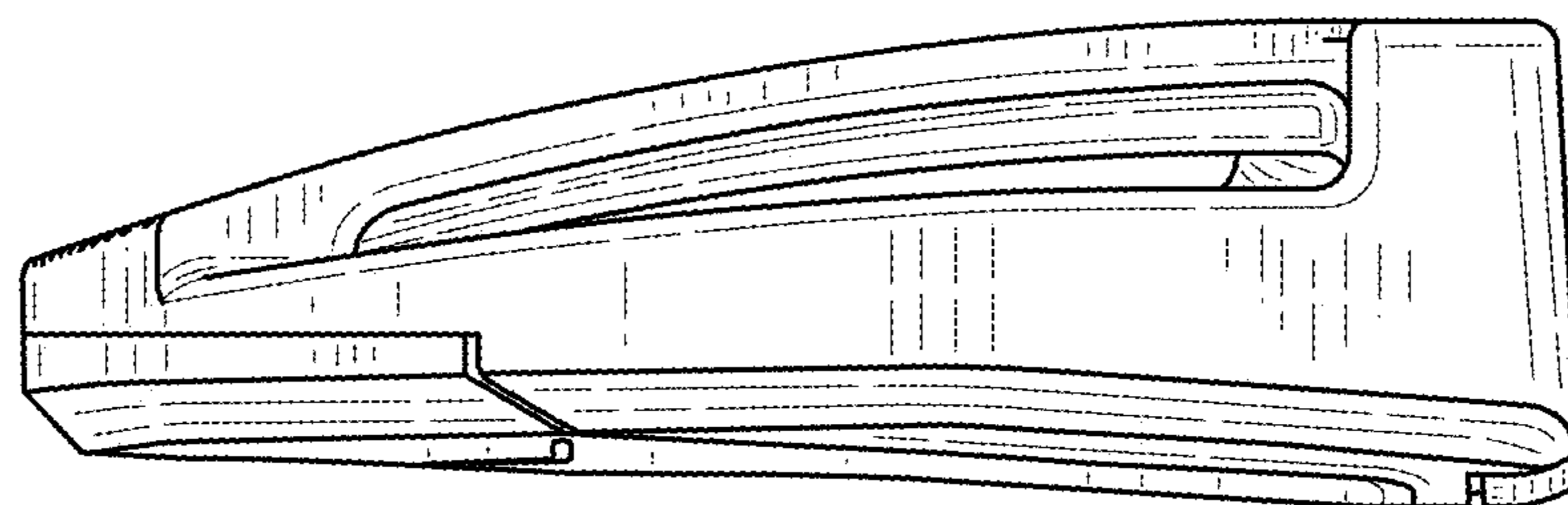
**FIG. 5**



**FIG. 6**



**FIG. 7**



**FIG. 8**