

US00D972672S

(12) **United States Design Patent** (10) **Patent No.:** **US D972,672 S**
Davis (45) **Date of Patent:** **** Dec. 13, 2022**

(54) **GOLF PUTTER HEAD**
(71) Applicant: **Guy Paul Davis**, Robbinsdale, MN (US)
(72) Inventor: **Guy Paul Davis**, Robbinsdale, MN (US)
(73) Assignee: **Guy Paul Davis**, Robbinsdale, MN (US)

5,916,035 A 6/1999 Caiozzo
D483,086 S * 12/2003 Schweigert D21/736
D488,526 S 4/2004 Souza et al.
D500,110 S 12/2004 Solheim et al.
D507,612 S 7/2005 Souza et al.
D532,845 S 11/2006 Rollinson
D559,343 S * 1/2008 Marhesani D21/735
D569,928 S * 5/2008 Hiller D21/735
D582,497 S 12/2008 Rollinson
D590,461 S 4/2009 Kim et al.

(Continued)

(**) Term: **15 Years**

OTHER PUBLICATIONS

(21) Appl. No.: **29/772,694**

Novelty putter google search; google.com; Sep. 23, 2022.*
Map shaped putter google search; google.com; Sep. 23, 2022.*

(22) Filed: **Mar. 3, 2021**

Primary Examiner — Mitchell I. Siegel

(51) **LOC (13) Cl.** **21-02**

(52) **U.S. Cl.**
USPC **D21/735**

(57) **CLAIM**

(58) **Field of Classification Search**
USPC D21/735-746, 759
CPC A63B 53/00; A63B 53/04; A63B 53/007;
A63B 53/065; A63B 53/0487; A63B
60/00; A63B 60/46
See application file for complete search history.

The ornamental design for a golf putter head, as shown and described.

DESCRIPTION

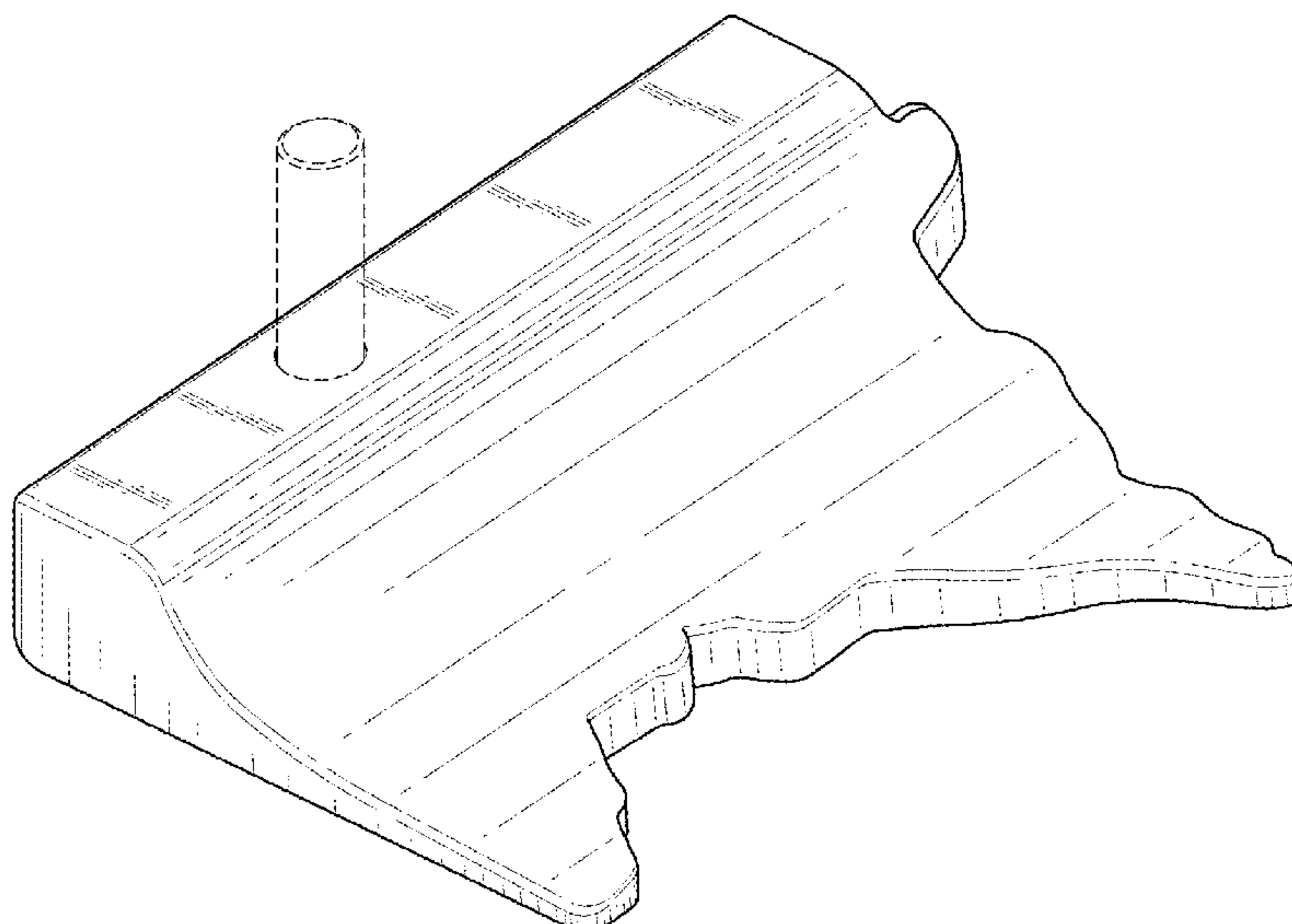
(56) **References Cited**

U.S. PATENT DOCUMENTS

D43,885 S 4/1913 Mills
D186,123 S 9/1959 Brandon
D218,178 S 7/1970 Solheim
D220,844 S * 6/1971 Letters 473/314
D235,668 S 7/1975 Swash
D256,824 S * 9/1980 Ward D21/756
D268,691 S 4/1983 Collins
D293,926 S * 1/1988 Antonious D21/740
D341,405 S 11/1993 Solheim
D379,484 S 5/1997 Solheim
D380,029 S 6/1997 Anderson
D381,382 S 7/1997 Fenton, Jr.
D398,683 S * 9/1998 Masuda D21/736
D399,911 S 10/1998 Nicolette et al.
D405,137 S 2/1999 Nelson

FIG. 1 is a perspective view of a golf putter head showing my new design;
FIG. 2 is a top plan view of the golf putter head shown in FIG. 1;
FIG. 3 is a bottom plan view of the golf putter head shown in FIG. 1;
FIG. 4 is a toe end view of the golf putter head shown in FIG. 1;
FIG. 5 is a heel end view of the golf putter head shown in FIG. 1;
FIG. 6 is a rear elevational view of the golf putter head shown in FIG. 1; and,
FIG. 7 is a front elevational view of the golf putter head shown in FIG. 1.
The broken line showing of the shaft on FIGS. 1, 2, 4, 5, 6, and 7 forms no part of the claimed design.

1 Claim, 7 Drawing Sheets



(56)

References Cited

U.S. PATENT DOCUMENTS

D591,807 S	5/2009	Rollinson	
D625,374 S *	10/2010	Hettinger	D21/743
D688,341 S	8/2013	Rollinson	
D691,226 S	10/2013	Hilton et al.	
D728,715 S	5/2015	Cameron	
D731,605 S	6/2015	Rollinson	
D769,994 S *	10/2016	Hunter	D21/743
D773,573 S	12/2016	Abbott et al.	
D793,501 S *	8/2017	Cynn	D21/746
D796,598 S *	9/2017	Serrano	D21/736
D799,614 S *	10/2017	Cynn	D21/746
D852,298 S *	6/2019	Essex	D21/736
D912,174 S *	3/2021	Toulon	D21/743
D941,410 S *	1/2022	Scott	D21/736
D952,081 S *	5/2022	Kirtley	D21/736
D954,874 S *	6/2022	Nicolette	D21/736
D959,584 S *	8/2022	Toulon	D21/746

* cited by examiner

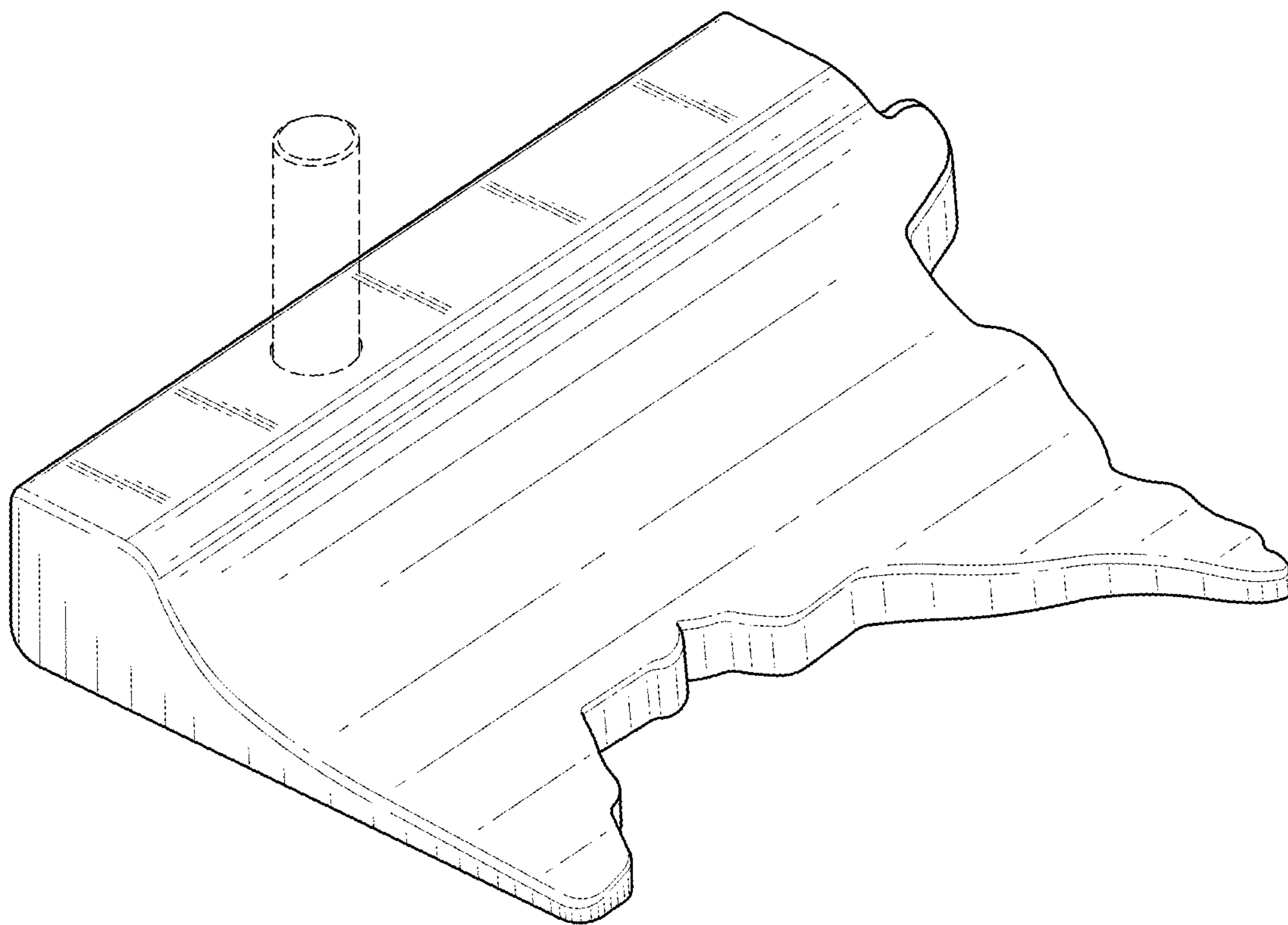


FIG. 1

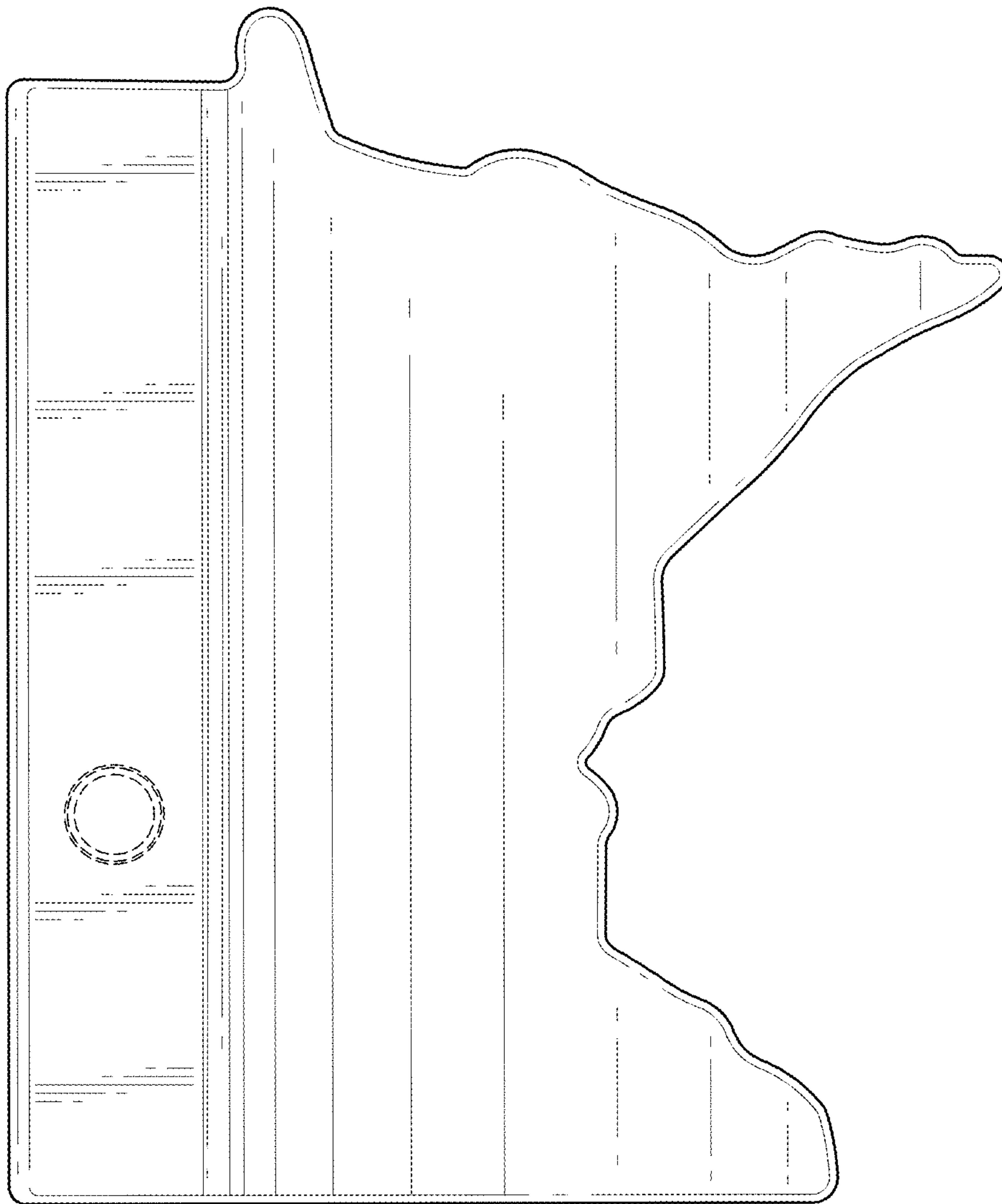


FIG. 2

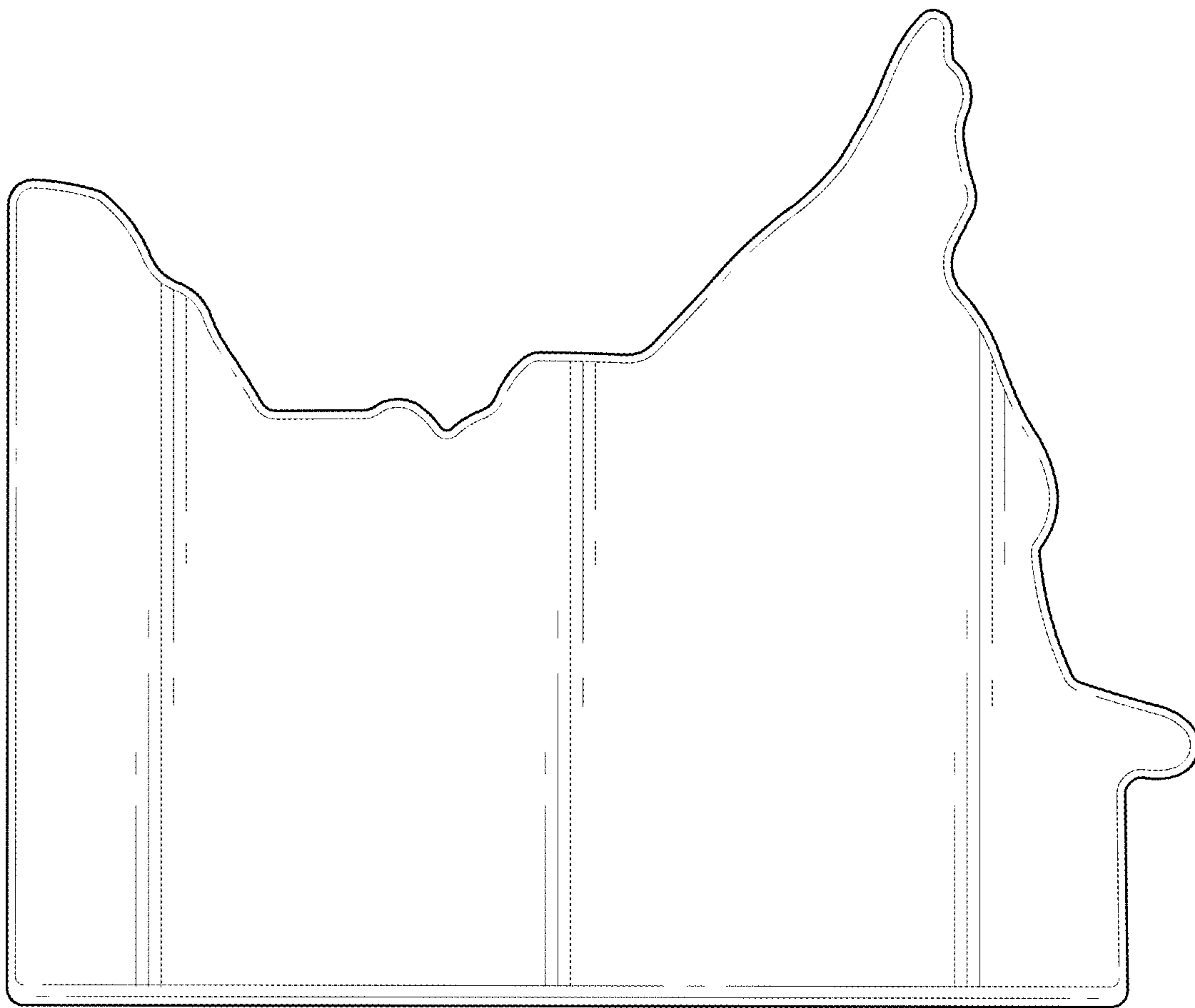


FIG. 3

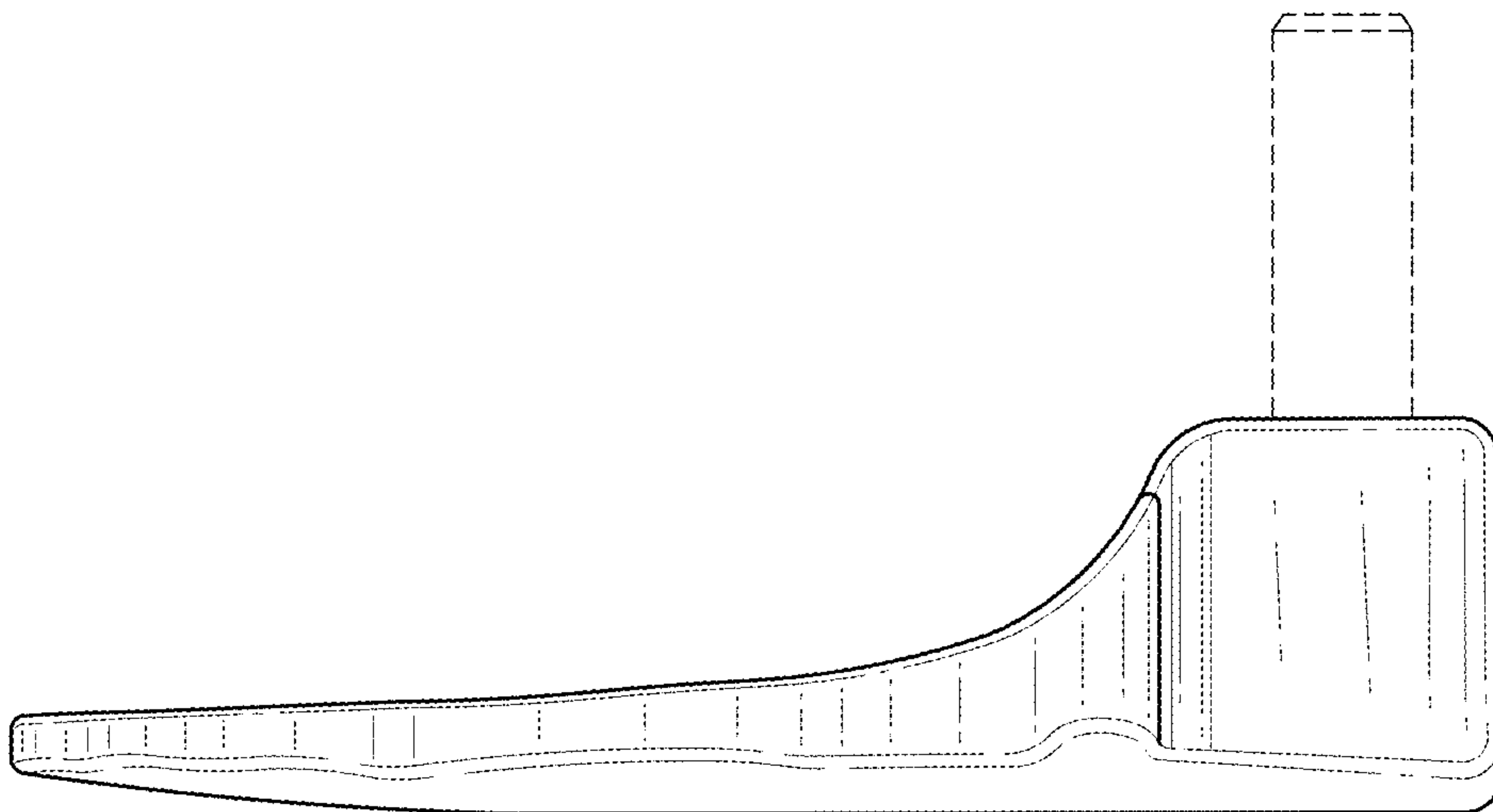


FIG. 4

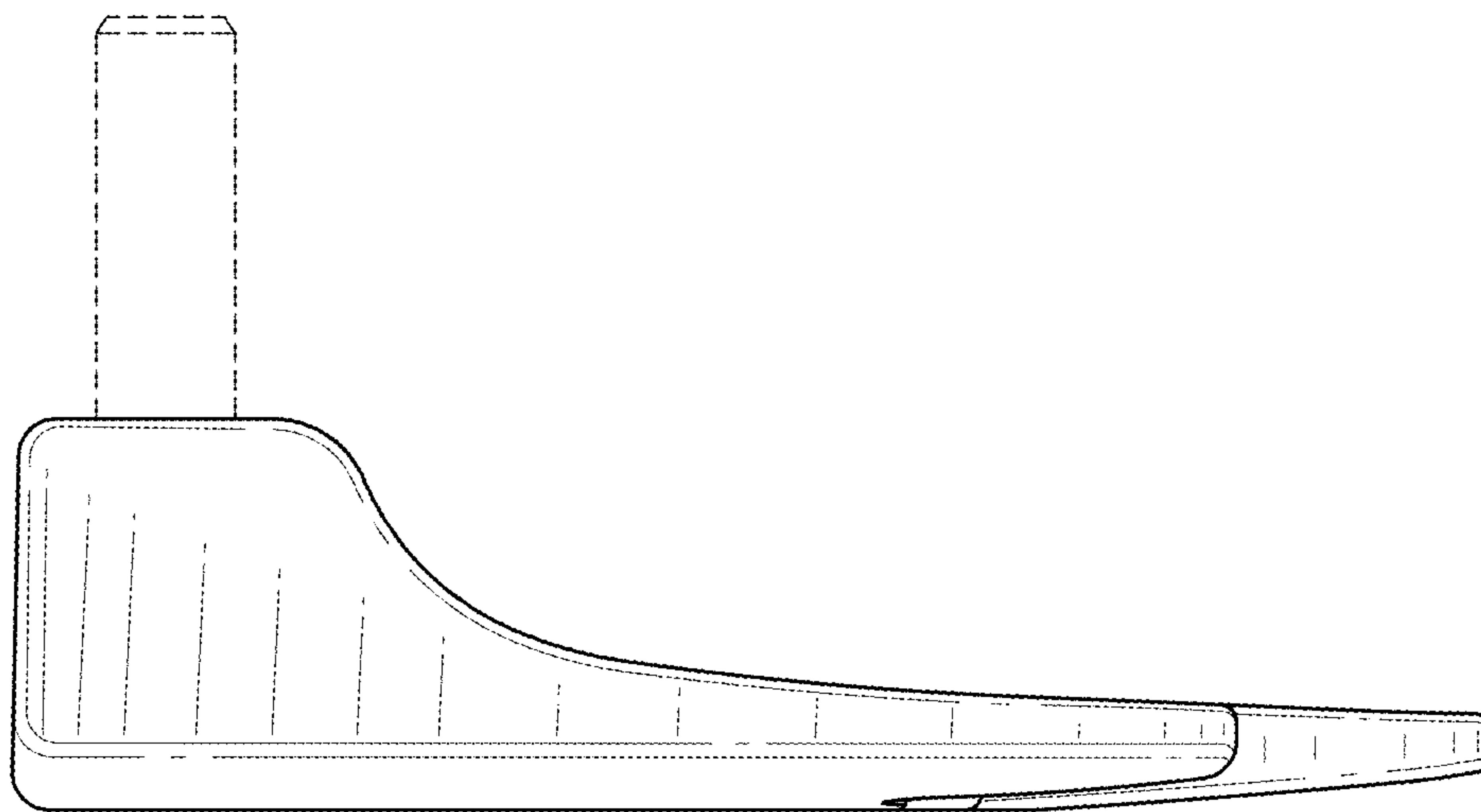


FIG. 5

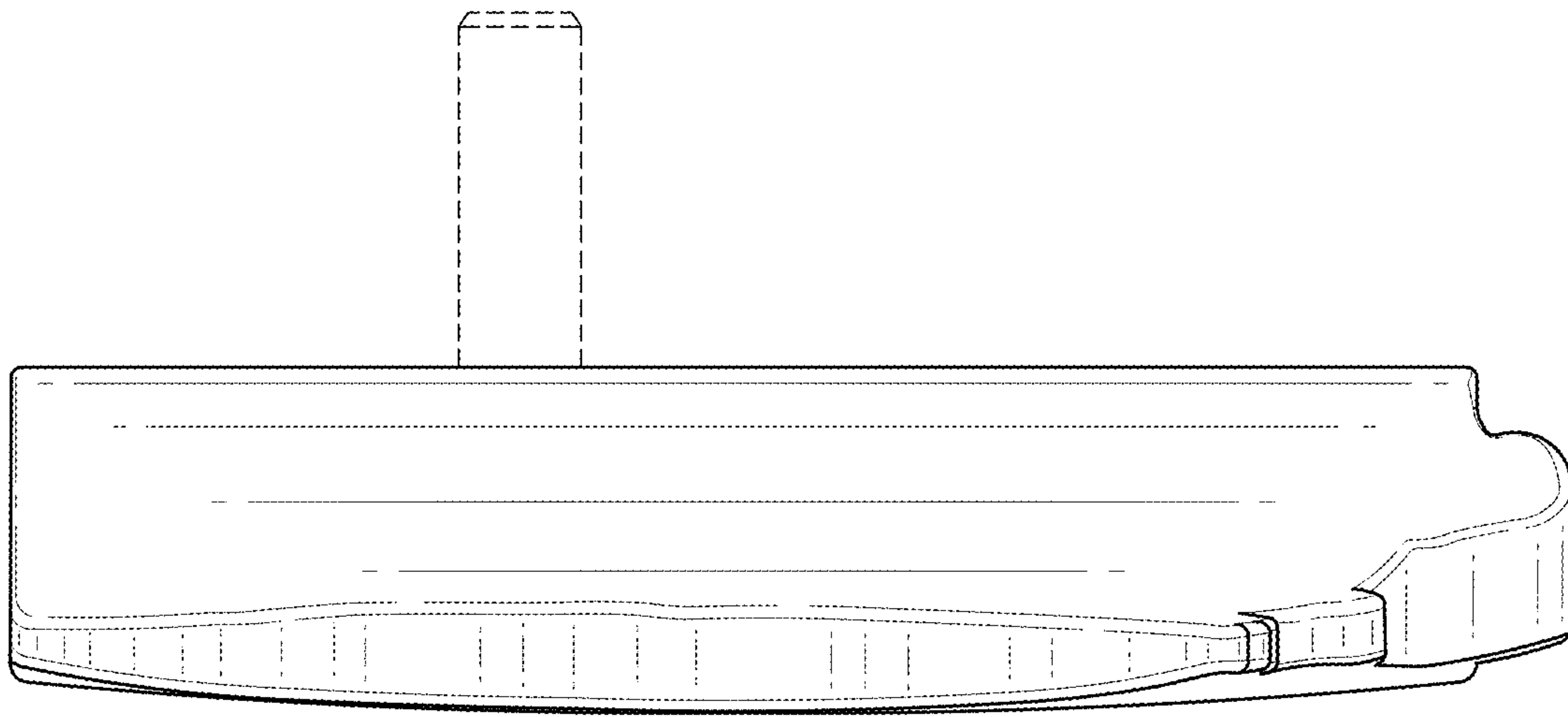


FIG. 6

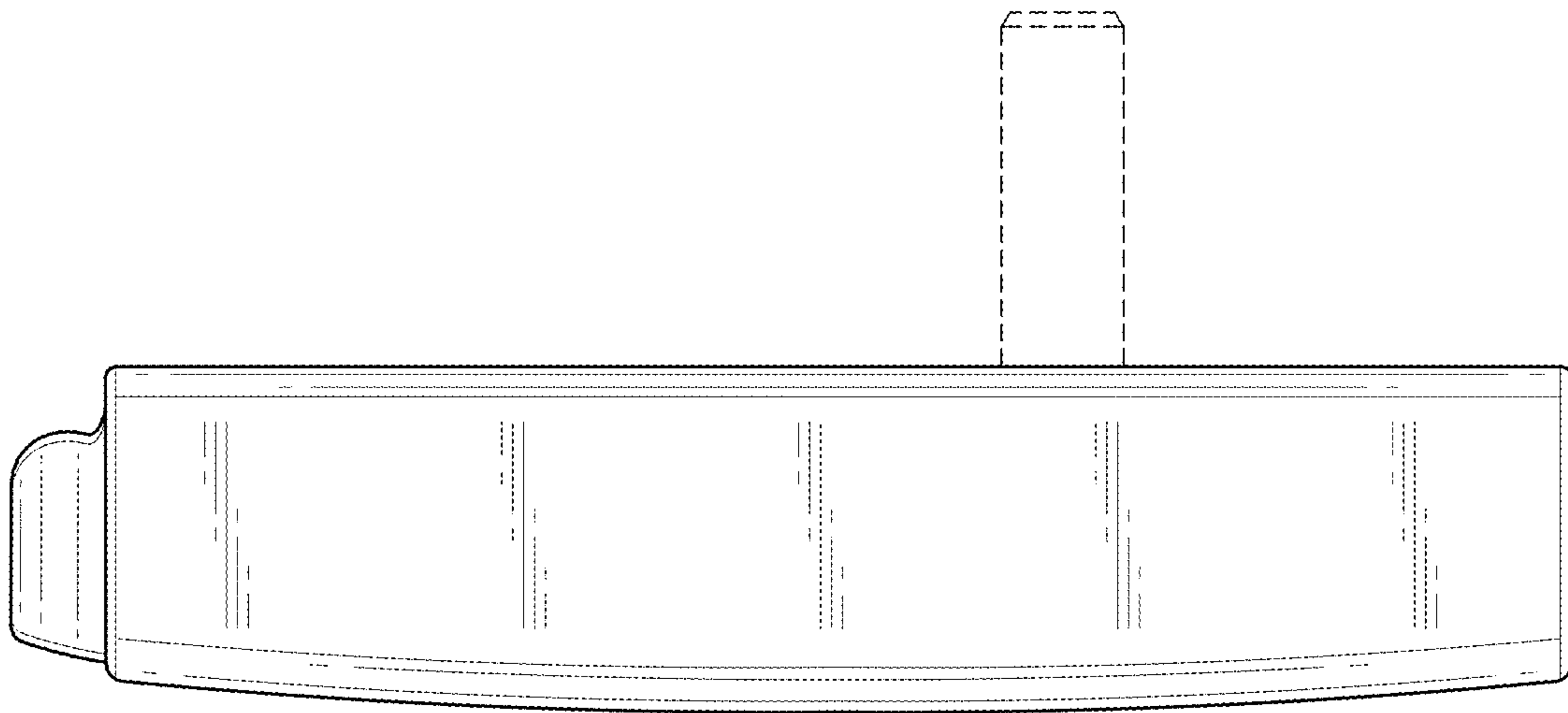


FIG. 7