



US00D972671S

(12) **United States Design Patent**
Katz et al.

(10) **Patent No.:** **US D972,671 S**
(45) **Date of Patent:** **** Dec. 13, 2022**

(54) **OUTER COVER FOR VIBRATING FITNESS ROLLER**

4,954,939 A * 9/1990 Hutchins F21S 8/061
362/406

D324,634 S * 3/1992 Chen D8/303

5,123,406 A 6/1992 Masuda

(Continued)

(71) Applicant: **Hyper Ice, Inc.**, Irvine, CA (US)

(72) Inventors: **Anthony Katz**, Laguna Niguel, CA (US); **Bostjan Buc**, Mislinja (SI); **Jure Miklavc**, Skofja Loka (SI); **Andrej Senk**, Preddvor (SI)

FOREIGN PATENT DOCUMENTS

DE 9200901 U1 7/1992

DE 102006058876 A1 10/2007

(Continued)

(73) Assignee: **Hyper Ice, Inc.**, Irvine, CA (US)

(**) Term: **15 Years**

OTHER PUBLICATIONS

(21) Appl. No.: **29/771,688**

“Foam Roller Wrap” Jun. 3, 2011, Amazon, site visited Jun. 3, 2022: <https://amzn.to/3wZfB8A> (Year: 2011).*

(Continued)

(22) Filed: **Feb. 24, 2021**

(51) **LOC (13) Cl.** **21-02**

(52) **U.S. Cl.**

USPC **D21/694**

(58) **Field of Classification Search**

USPC D24/211, 212, 213, 214, 215, 188, 141, D24/190, 200, 231, 106, 171; D30/160; D1/125–127; D21/680, 798, 792, 662, D21/804, 686, 671, 691, 682, 694, 687, D21/654, 487, 679, 684, 688, 412, 685, D21/400, 791, 725, 386; D7/624.2; D8/303

CPC A61H 7/001; A61H 7/007; A61H 7/00; A61H 15/0092; A61H 2015/0014; A61H 2201/0207; A61H 15/00; A61H 2205/081; A61H 23/0263; A61H 2201/1284
See application file for complete search history.

Primary Examiner — Jack Reickel

Assistant Examiner — Salamah Jordan

(74) *Attorney, Agent, or Firm* — Patterson Intellectual Property Law, P.C.; Jerry Turner Sewell

(57) **CLAIM**

The ornamental design for an outer cover for vibrating fitness roller, as shown and described.

DESCRIPTION

FIG. 1 is a front perspective view of an outer cover for vibrating fitness roller of the present design; FIG. 2 is a rear perspective view thereof; FIG. 3 is a top view thereof, the bottom view being a mirror image thereof; FIG. 4 is a left side view thereof, the bottom view being a mirror image thereof; FIG. 5 is a front view thereof; and, FIG. 6 is a rear view thereof.

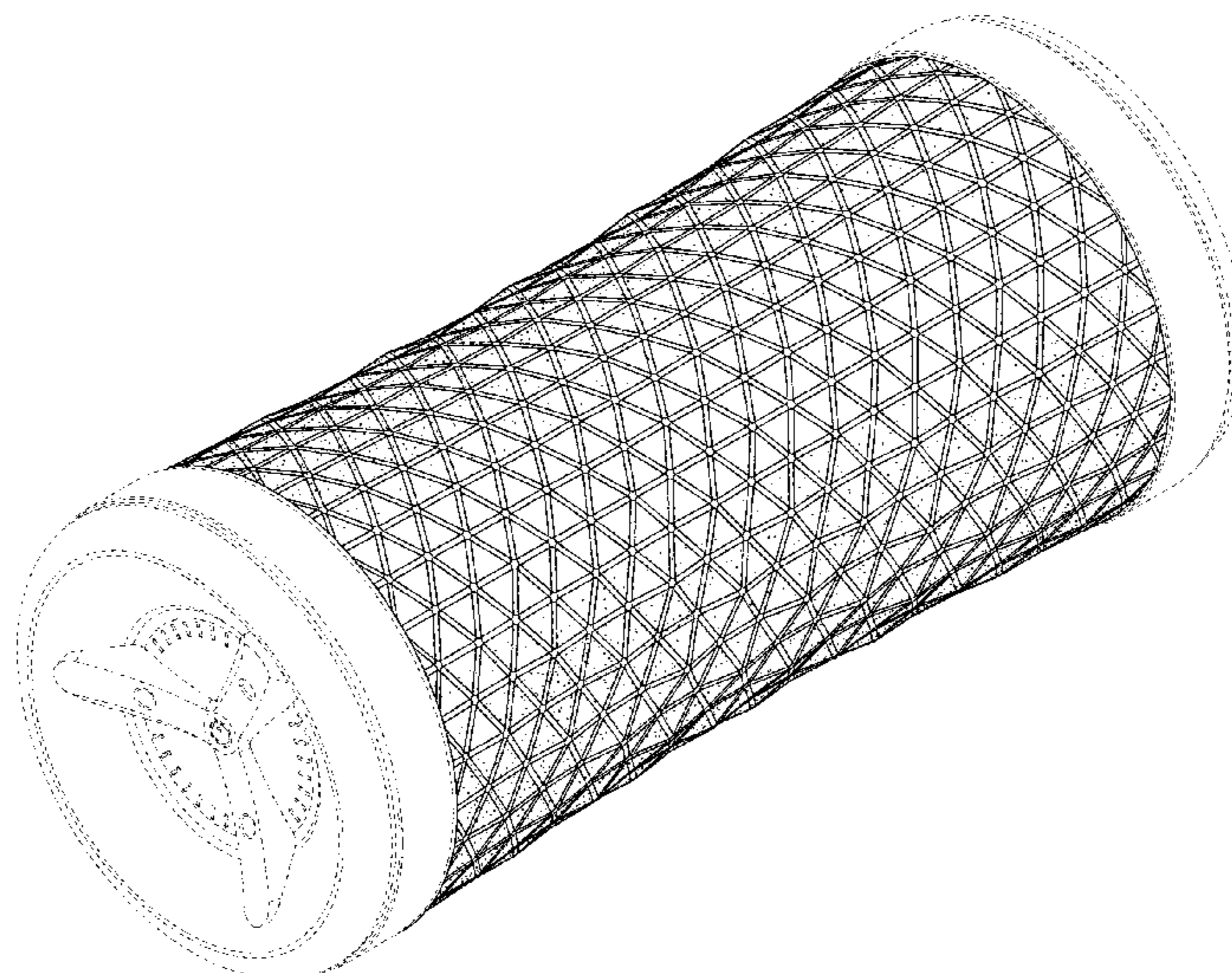
The broken lines in the drawings are for the purposes of illustrating portions of the outer cover for vibrating fitness roller, which form no part of the claimed design.

(56) **References Cited**

U.S. PATENT DOCUMENTS

2,428,953 A 10/1947 Adams
D166,659 S 5/1952 Colotti
2,675,800 A 4/1954 Voorhees et al.
D299,974 S 2/1989 Schmitt
4,930,543 A * 6/1990 Zuiches F16L 57/00
285/47

1 Claim, 5 Drawing Sheets



(56)

References Cited

U.S. PATENT DOCUMENTS

5,418,980 A * 5/1995 Kelly A41D 20/00
2/16

D369,361 S 4/1996 Satake

5,554,102 A 9/1996 Chiou

5,736,089 A 4/1998 Stefani

6,694,550 B2 2/2004 Lee

D546,402 S 7/2007 Sonnier

D555,742 S 11/2007 Lai

D581,244 S * 11/2008 Berti D8/321

D616,950 S * 6/2010 Hersee D8/303

D637,244 S * 5/2011 Davis D21/662

8,002,682 B2 8/2011 Dye

D647,980 S * 11/2011 Davis D21/662

8,181,490 B2 * 5/2012 Sinykin D04B 1/02
66/194

D693,934 S * 11/2013 Lin D24/215

D713,050 S * 9/2014 Kao A61H 15/00
D24/211

8,920,850 B2 * 12/2014 Davis B65D 37/00
424/618

D725,344 S * 3/2015 Rich D2/624

9,132,055 B1 9/2015 Wallace

D740,337 S 10/2015 McCoy

D755,304 S 5/2016 Ackerman

9,422,718 B2 * 8/2016 Ehsani F16L 55/16

D786,652 S 5/2017 Lira-Nunez

D788,313 S * 5/2017 Lawrie D24/211

9,668,933 B1 6/2017 Johnson

D797,951 S 9/2017 Miklavc

9,763,850 B2 9/2017 Cheng

D805,649 S 12/2017 Mizelle et al.

D809,612 S 2/2018 Ganea

D810,955 S 2/2018 Miklavc

9,901,771 B1 * 2/2018 Silver A63B 71/00

D812,700 S * 3/2018 Silver D21/694

D813,323 S * 3/2018 Silver D21/694

9,968,513 B1 5/2018 Marton et al.

D822,772 S * 7/2018 Jorgenson D24/211

D825,695 S 8/2018 Kim

10,071,014 B2 9/2018 Yeh

D833,635 S * 11/2018 Chen D24/214

D837,615 S * 1/2019 Winter D7/624.2

D843,522 S * 3/2019 Miklavc D21/692

D857,131 S 8/2019 Marton et al.

D858,779 S 9/2019 Durfee

D859,668 S 9/2019 Durfee

D872,198 S 1/2020 Kim

D884,804 S 5/2020 Ross

D886,923 S 6/2020 Hsiung

D889,335 S 7/2020 Bowman

10,729,614 B2 8/2020 Marton et al.

D930,922 S 9/2021 Ruan

D947,297 S 3/2022 Flick

D948,156 S 4/2022 Furuuchi

D952,070 S 5/2022 Gridley

2002/0170728 A1 * 11/2002 Holland H01B 7/17
174/19

2005/0070827 A1 3/2005 Lee

2009/0088307 A1 * 4/2009 Jelinek B05C 17/0207
492/29

2009/0176635 A1 7/2009 Brinson

2009/0183817 A1 * 7/2009 Sinykin B29C 66/73116
29/895.32

2013/0090220 A1 * 4/2013 Bertram A61H 7/00
482/139

2013/0267396 A1 10/2013 Dye

2015/0045707 A1 2/2015 Selvaggio

2016/0074274 A1 3/2016 Mallory

2016/0195163 A1 7/2016 Cavanaugh et al.

2016/0279009 A1 9/2016 Somjee

2017/0042756 A1 2/2017 Nelson

2017/0065482 A1 3/2017 Downare

2018/0021211 A1 1/2018 Suokas et al.

2018/0028388 A1 2/2018 Leier et al.

2018/0071166 A1 3/2018 Lawrie

2018/0207055 A1 7/2018 Davis et al.

2018/0339216 A1 11/2018 Gencarelli

2021/0197011 A1 7/2021 Hadley et al.

FOREIGN PATENT DOCUMENTS

DE 202014004900 U1 10/2014

DE 202014004901 U1 10/2014

DE 102014211779 A1 12/2015

DE 102014211780 A1 12/2015

DE 102015002235 A1 12/2015

OTHER PUBLICATIONS

“TheraBand Foam Rollers & Wrap”, Sep. 12, 2013, Youtube, site visited Jun. 3, 2022: https://www.youtube.com/watch?v=rQ_0PQWxPV0 (Year: 2013).*

“Peace of Muscle Foam Roller Review”, Nov. 2, 2016, Youtube, site visited Jun. 4, 2022: <https://www.youtube.com/watch?v=0P48FkFki0> (Year: 2016).*

“Gimme 10 Foam Roller” Jul. 31, 2018, Amazon, site visited Jul. 19, 2022: <https://amzn.to/3RMJ6Uv> (Year: 2018).*

“Foam Roller Exercises | Learn How To Foam Roll | Full Body Foam Roller Workout” Dec. 27, 2015, Youtube, site visited 19 <https://www.youtube.com/watch?v=Xw2sQK3rzG0> (Year: 2015).*

“What Exactly is Foam Rolling and Why Should I Roll? ”, Nov. 21, 2015, Youtube, site visited Jul. 19, 2022: <https://www.youtube.com/watch?v=DzSU2FiFKTM> (Year: 2015).*

“Hyperice | Vyper Vibrating Foam Roller,” www.hyperice.com/vyper, accessed on Sep. 7, 2017, 10 pages.

“Zyllion Rechargeable Vibrating Foam Roller,” Oct. 13, 2017, Amazon, site visited Jun. 1, 2022: <https://amzn.to/38Uw3z6> (Year: 2017).

“TriggerPoint GRID Caps,” Aug. 14, 2018, Amazon, site visited Jun. 6, 2022: <https://amzn.to/3tetEG3> (Year: 2018).

“321 STRONG 5 in 1 Foam Roller Set,” Mar. 8, 2019, Amazon, site visited Jun. 6, 2022: <https://amzn.to/3xnj5mJ> (Year: 2019).

* cited by examiner

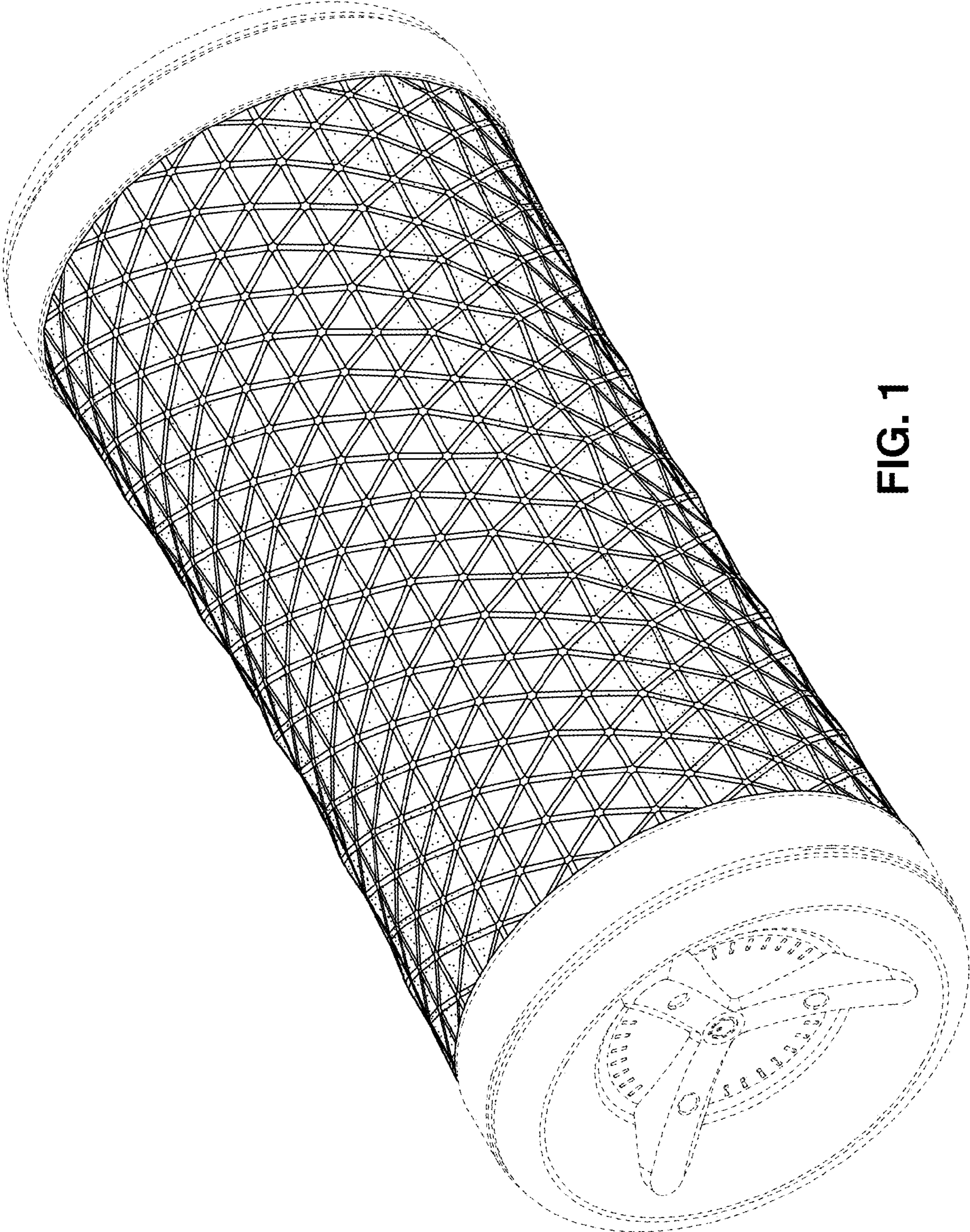


FIG. 1

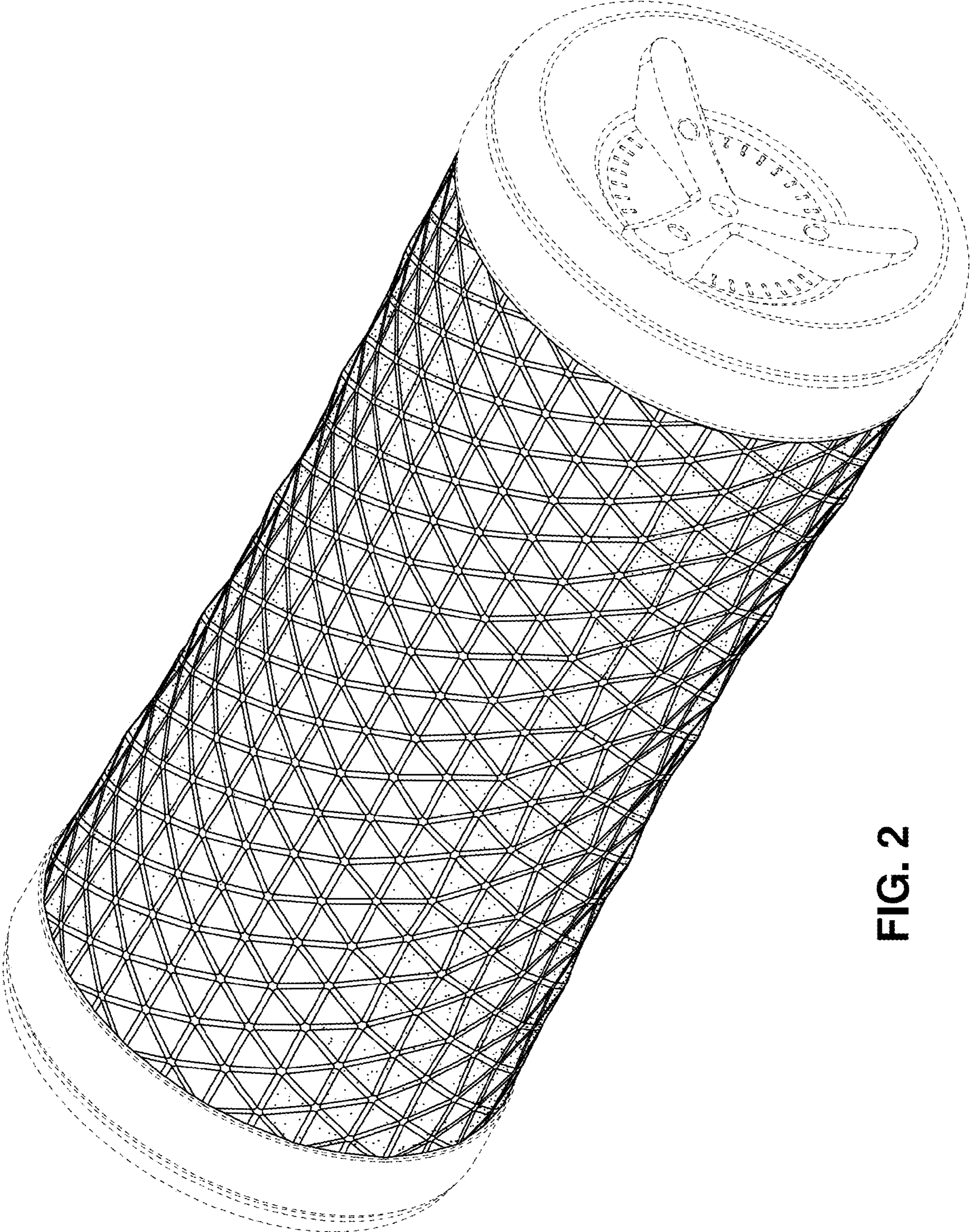


FIG. 2

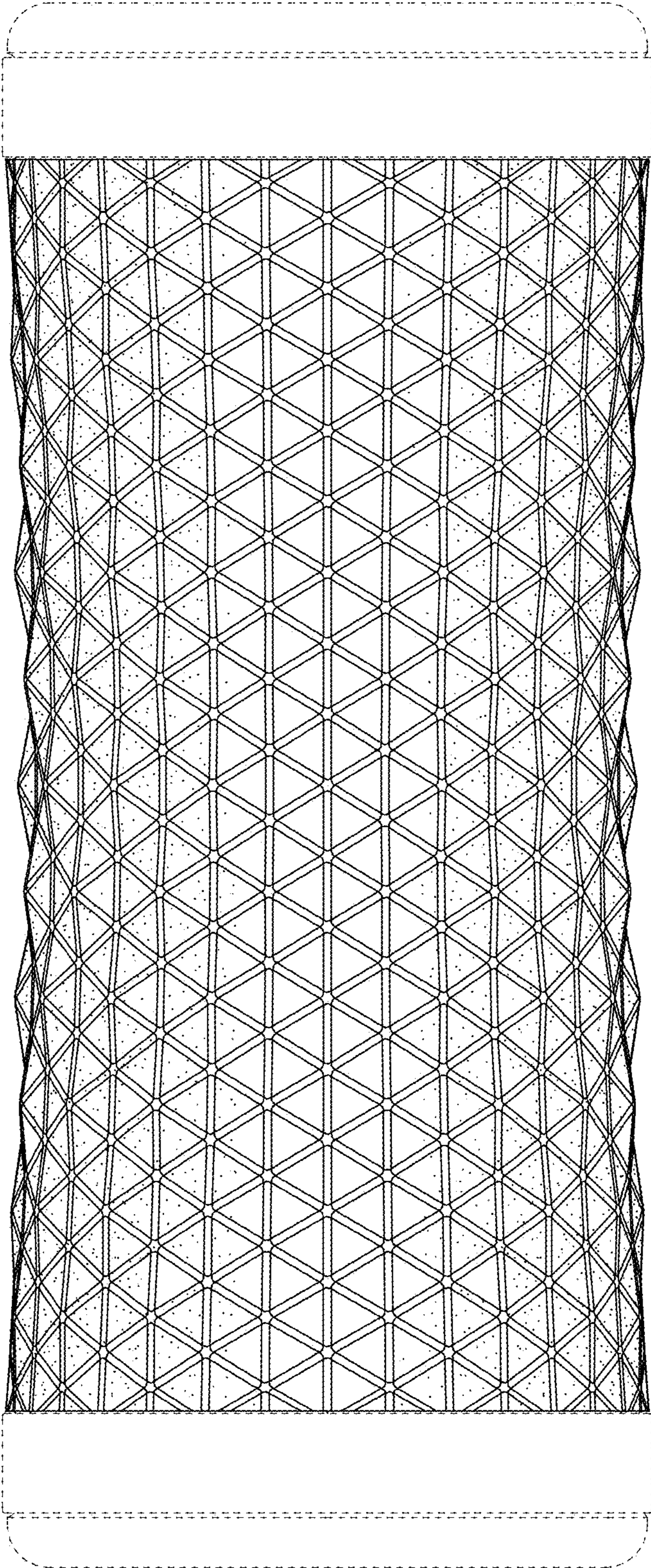


FIG. 3

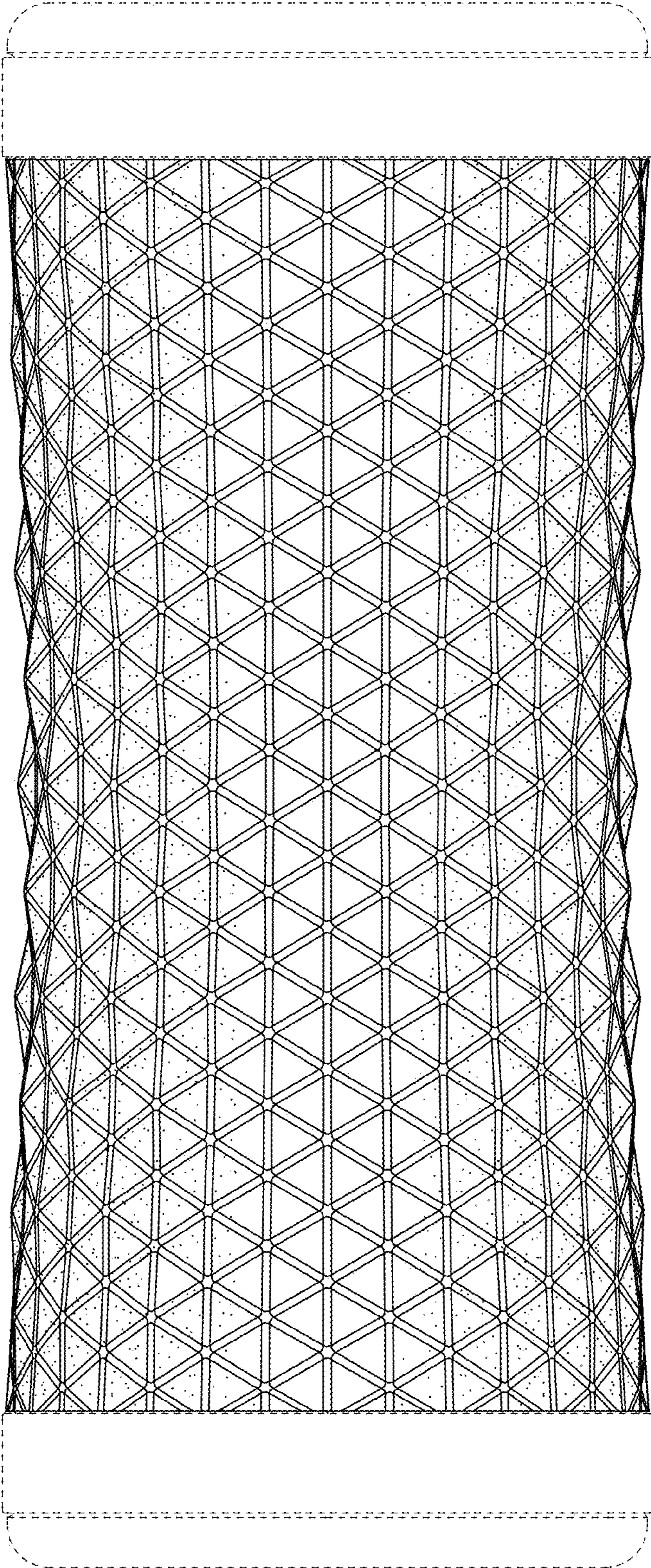


FIG. 4

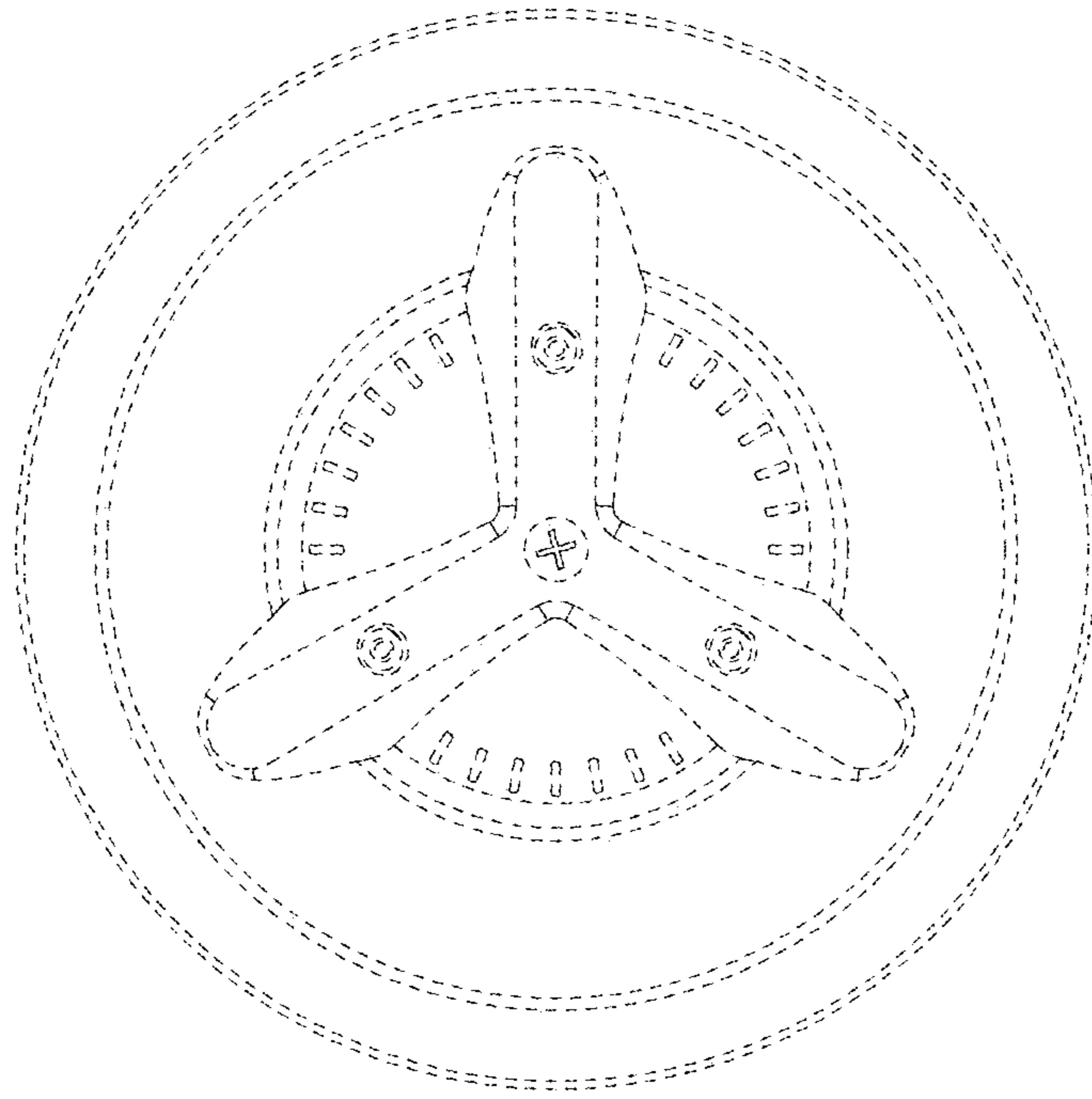


FIG. 6

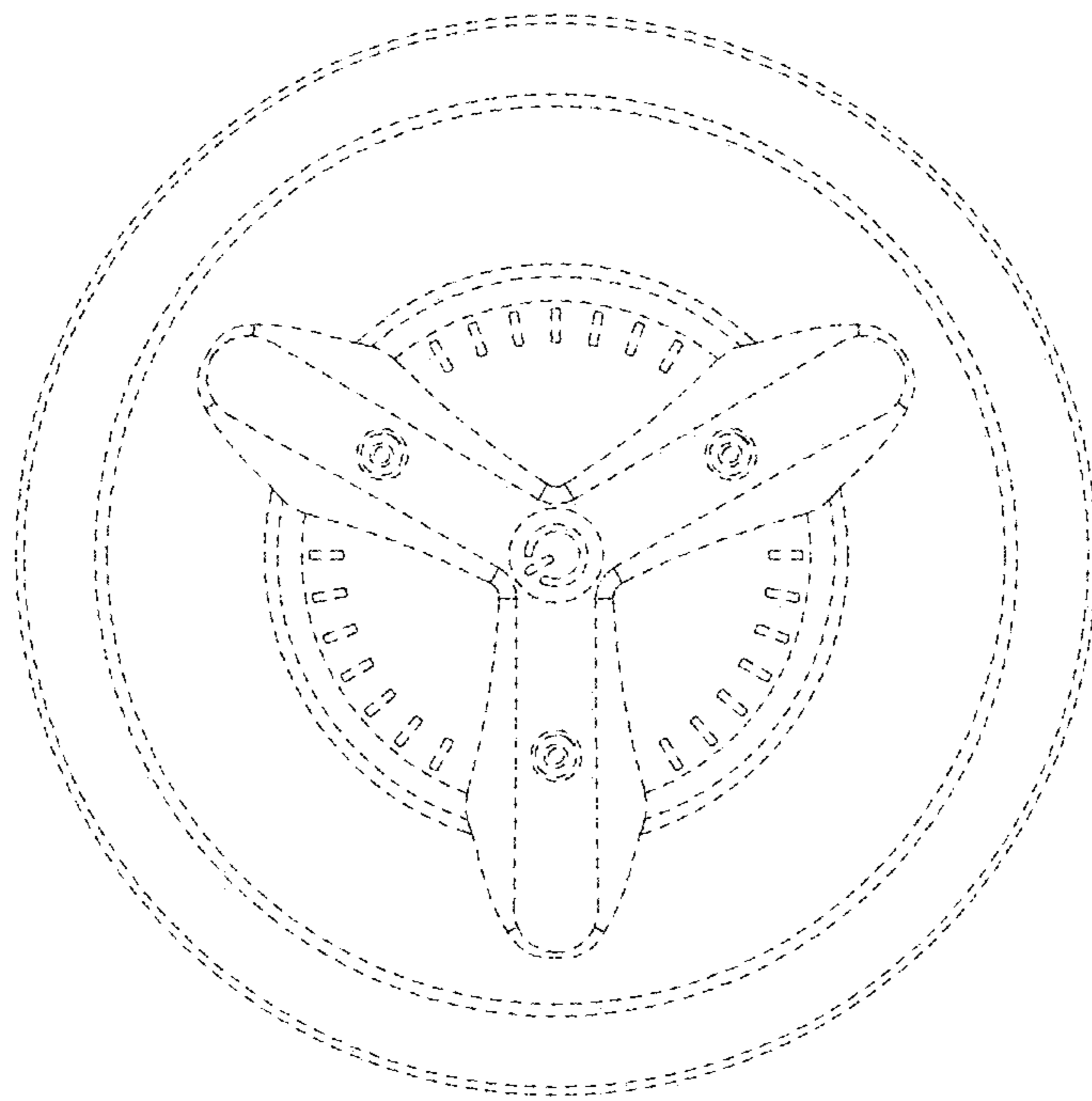


FIG. 5