



US00D972669S

(12) **United States Design Patent** (10) **Patent No.:** **US D972,669 S**
Xu (45) **Date of Patent:** **** Dec. 13, 2022**

(54) **FITNESS PEDAL**

(71) Applicant: **Gang Xu**, Zhejiang (CN)

(72) Inventor: **Gang Xu**, Zhejiang (CN)

(**) Term: **15 Years**

(21) Appl. No.: **29/816,983**

(22) Filed: **Nov. 26, 2021**

(30) **Foreign Application Priority Data**

Nov. 19, 2021 (CN) 202130760008.9

(51) **LOC (13) Cl.** **21-02**

(52) **U.S. Cl.**
USPC **D21/685**

(58) **Field of Classification Search**
USPC D21/686, 697, 663, 664, 666, 667, 419,
D21/662, 685
See application file for complete search history.

(56) **References Cited**

U.S. PATENT DOCUMENTS

D383,813 S *	9/1997	Zoller	D21/685
D622,789 S *	8/2010	Gillis	D21/685
D631,855 S *	2/2011	Blair	D13/168
D681,751 S *	5/2013	Meyer-Hayoz	D21/686
D781,954 S	3/2017	Wilfer		
D890,870 S *	7/2020	Jones	D23/413
D911,982 S	3/2021	Colter et al.		
D942,560 S *	2/2022	Chen	D21/686
2009/0200283 A1 *	8/2009	Bland	B23K 9/1087 219/132

OTHER PUBLICATIONS

Pinsuko, announced 2018 [online], [site visited Oct. 3, 2022]. available on internet, URL:https://www.amazon.com/Spring-Loaded-Adjustable-Residential-Door/dp/B07C2DJ754/ref (Year: 2018).*
Shepherd hardware store, announced 2018 [online], [site visited Oct. 3, 2022]. available on internet, URL:https://www.amazon.com/Shepherd-Hardware-3763-Rubber-Yellow/dp/B000X1HEVY/ref (Year: 2007).*

* cited by examiner

Primary Examiner — Khawaja Anwar

Assistant Examiner — Julice Seung Eun Oum

(74) *Attorney, Agent, or Firm* — ScienBiziP, P.C.

(57) **CLAIM**

The ornamental design for a fitness pedal, as shown and described.

DESCRIPTION

FIG. 1 is a front, left and bottom perspective view of a fitness pedal, showing my design.

FIG. 2 is a rear, right and top perspective view thereof.

FIG. 3 is a front elevation view thereof.

FIG. 4 is a rear elevation view thereof.

FIG. 5 is a left side elevation view thereof.

FIG. 6 is a right side elevation view thereof.

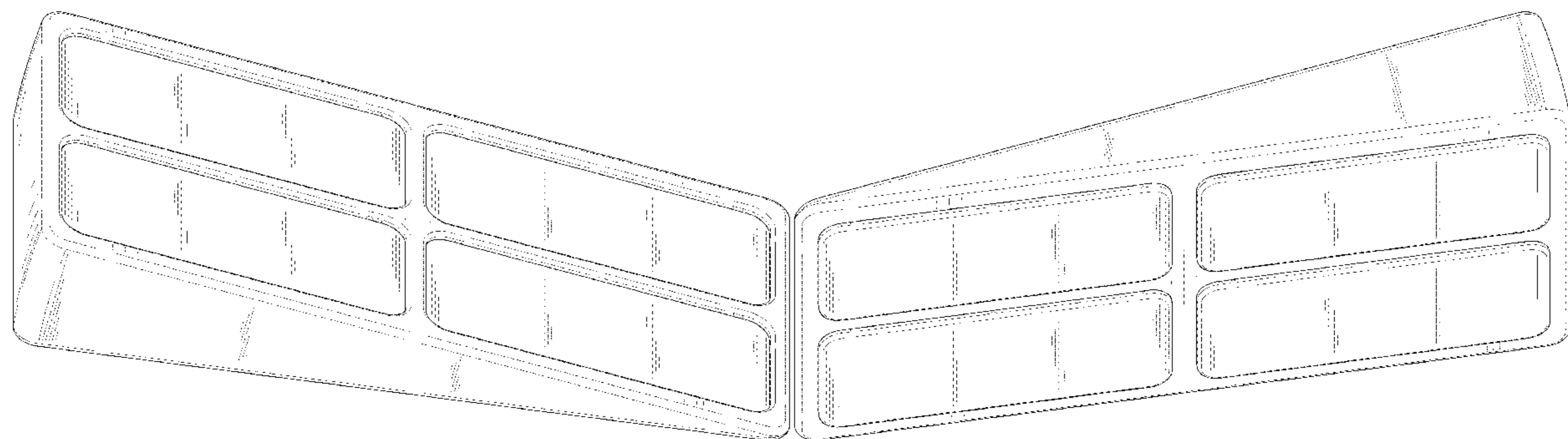
FIG. 7 is a top plan view thereof.

FIG. 8 is a bottom plan view thereof; and,

FIG. 9 is another front, left and bottom perspective view of the fitness pedal of FIG. 1 in another state.

The broken lines shown in the drawings are included for the purpose of illustrating portions of the fitness pedal that form no part of the claimed design.

1 Claim, 9 Drawing Sheets



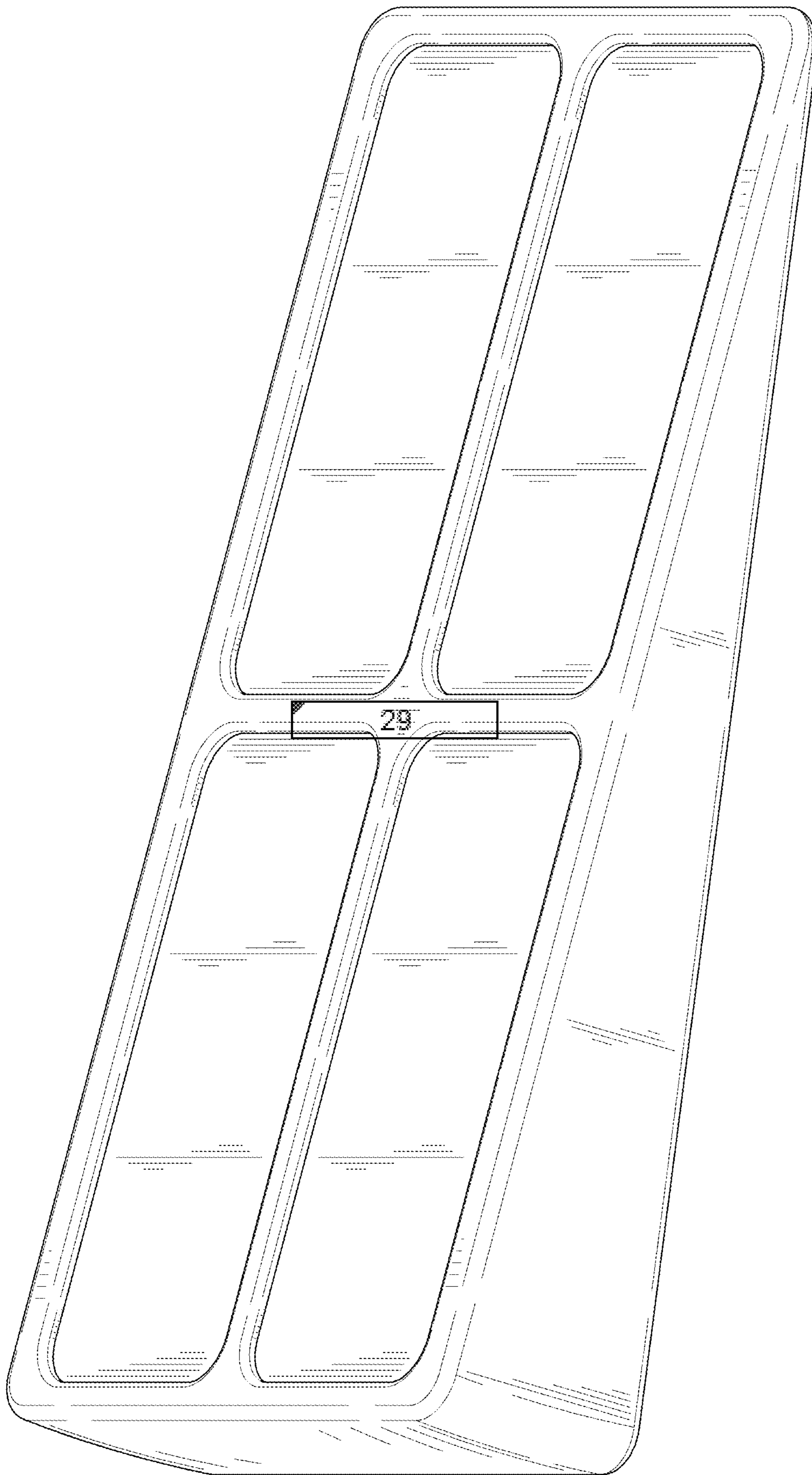


FIG. 1

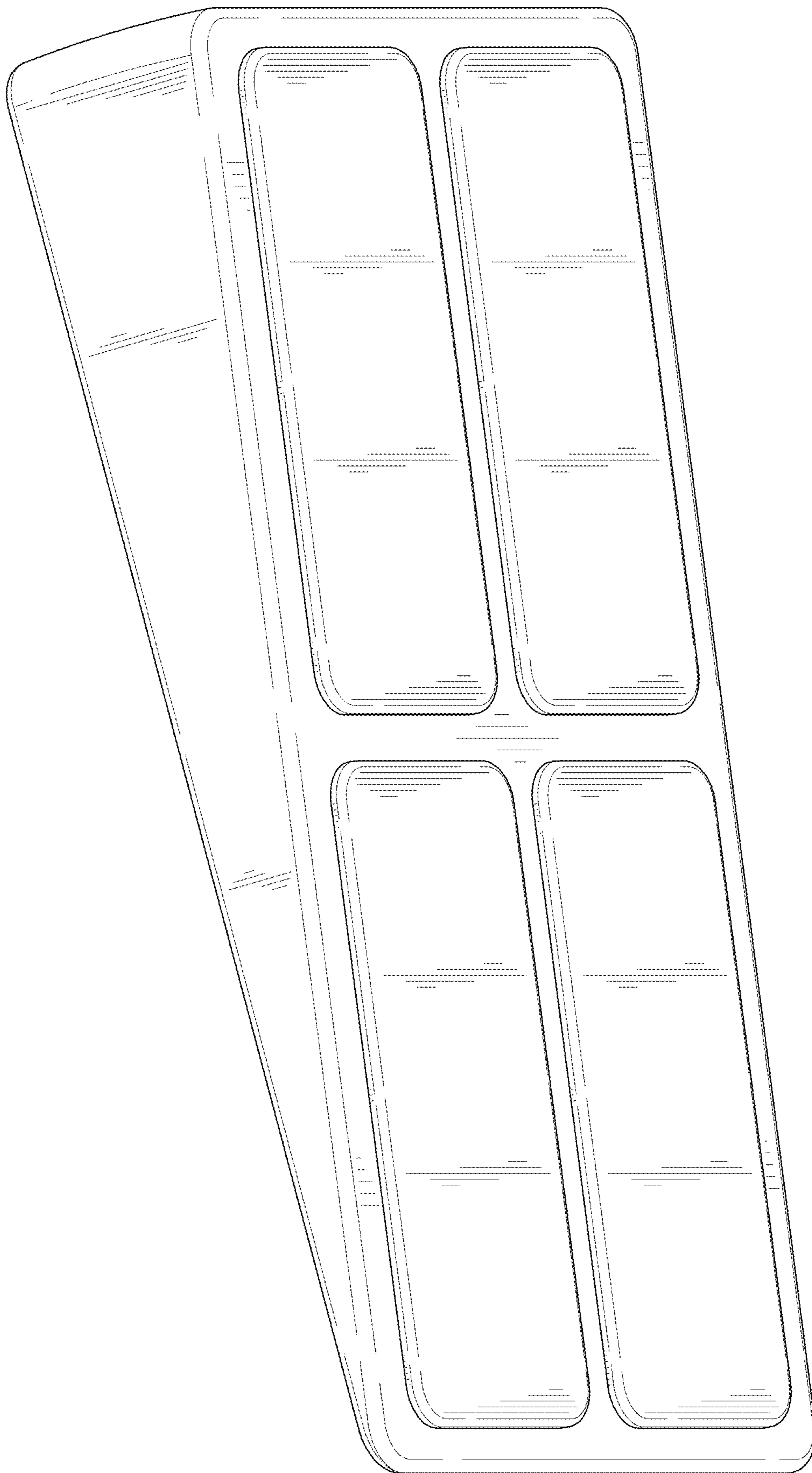


FIG. 2

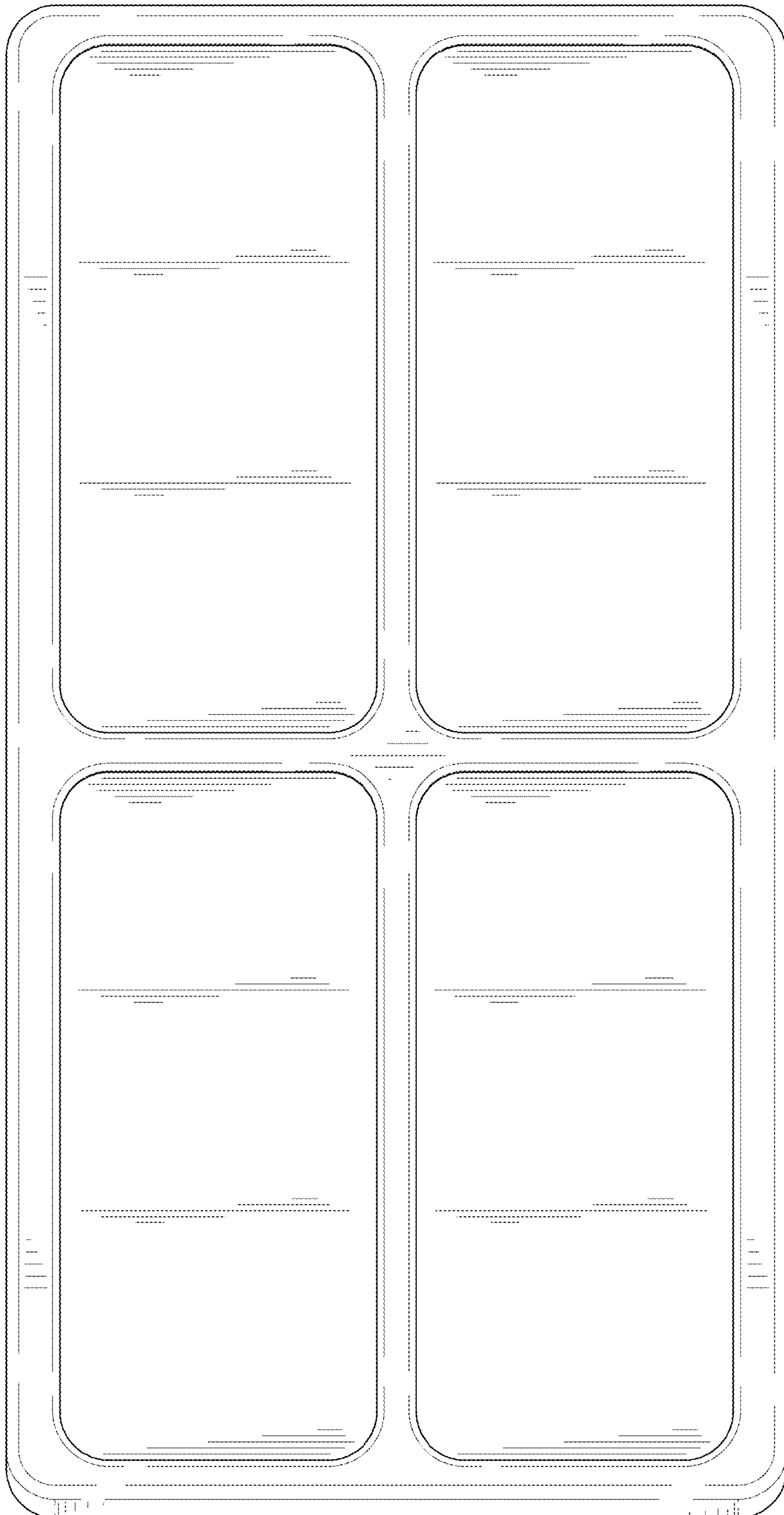


FIG. 3

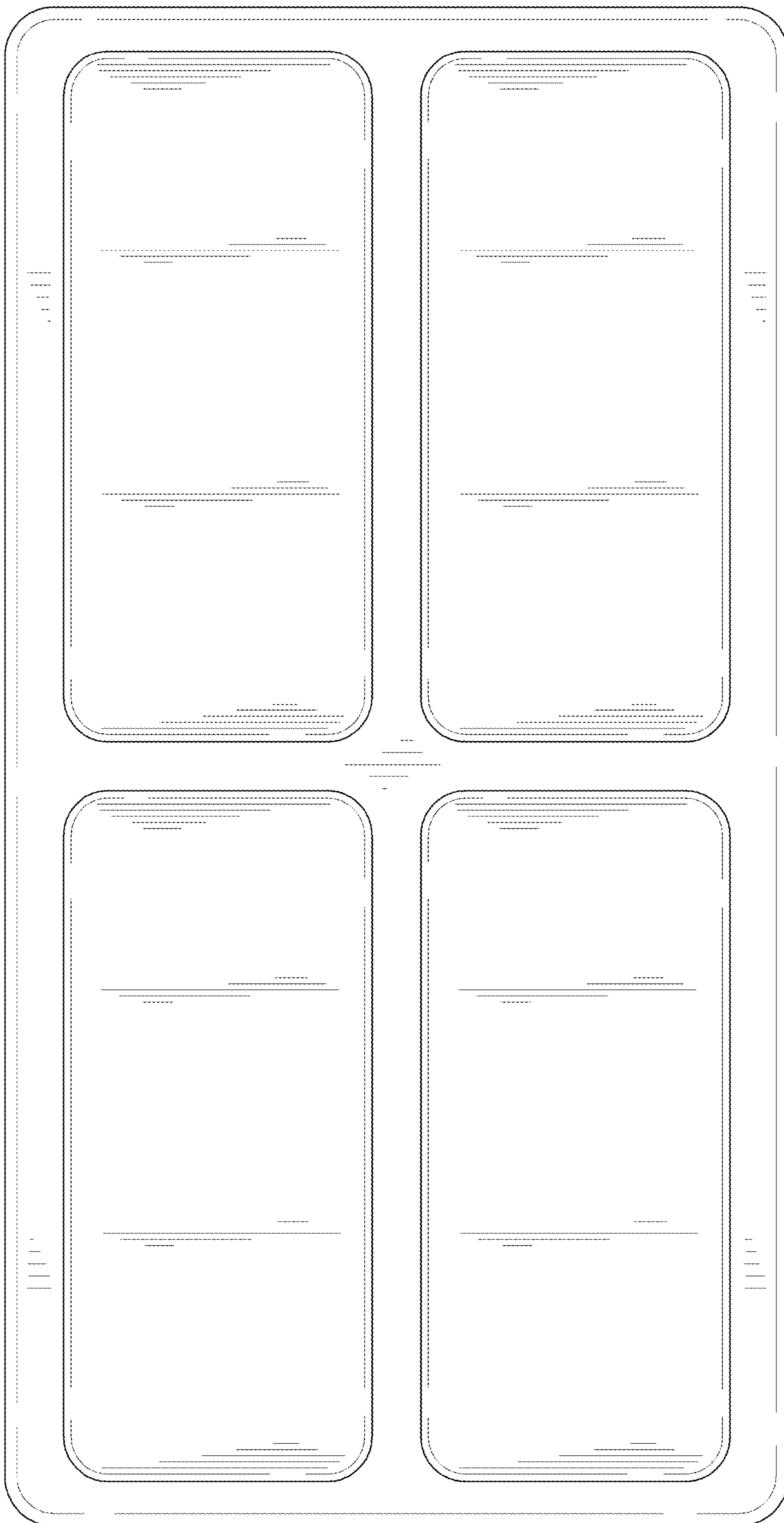


FIG. 4

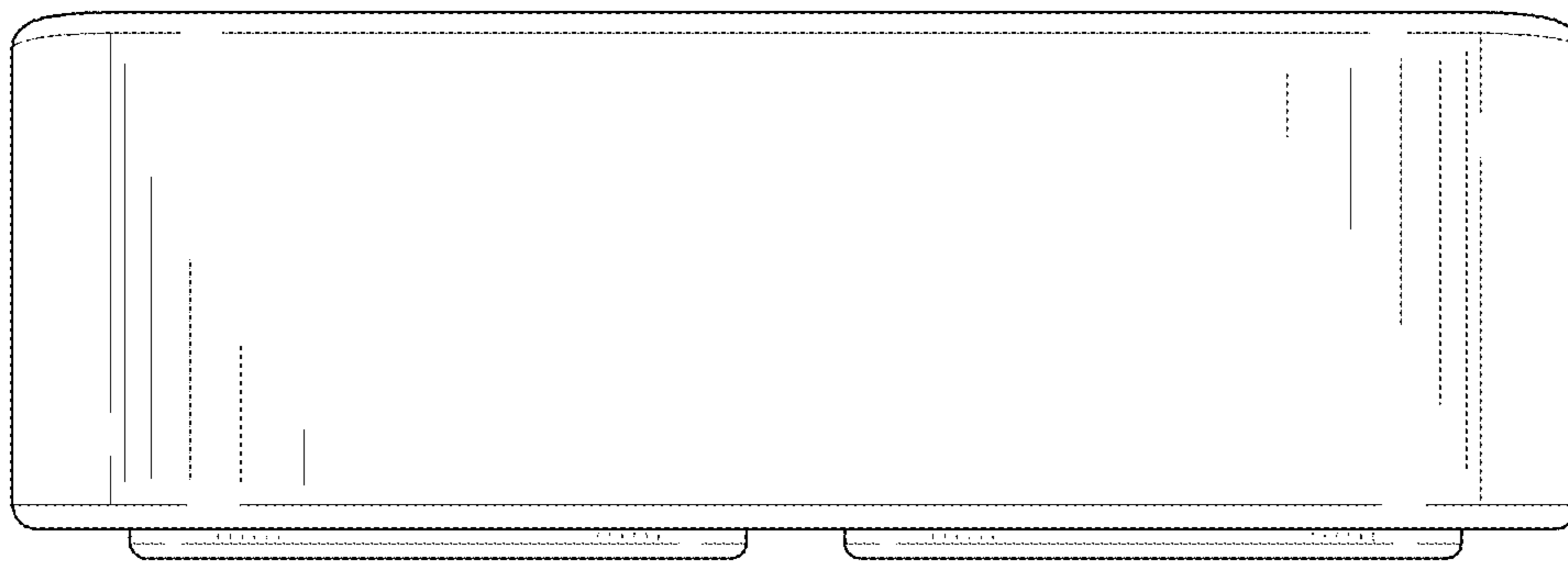


FIG. 5

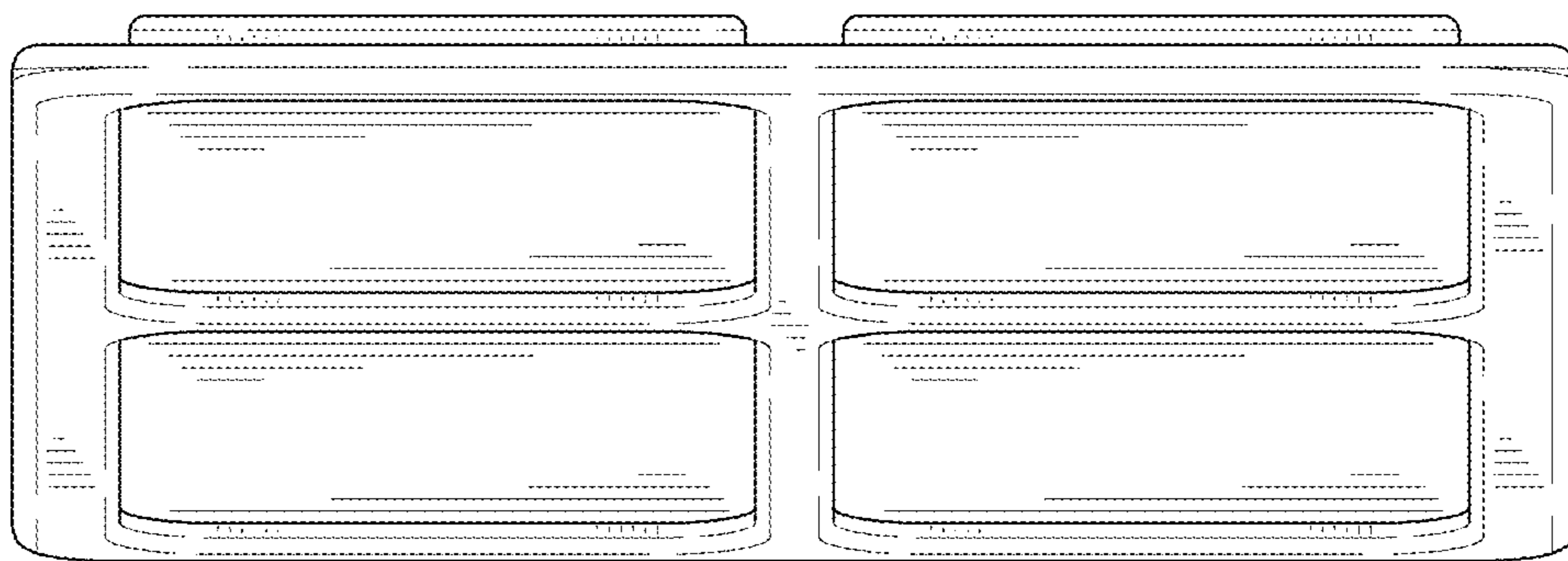


FIG. 6

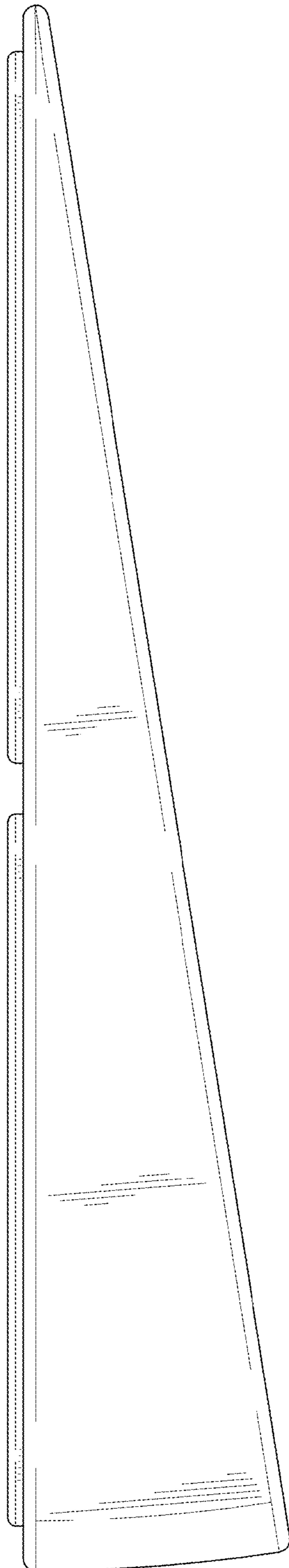


FIG. 7

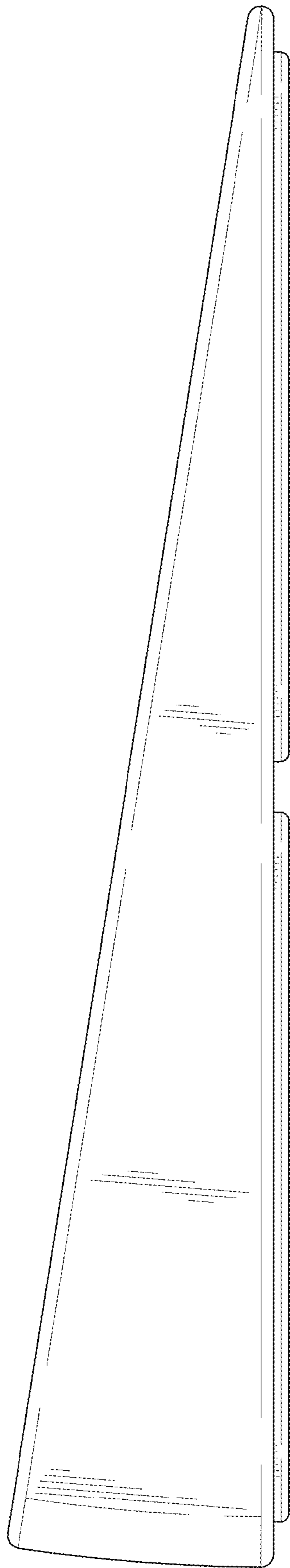


FIG. 8

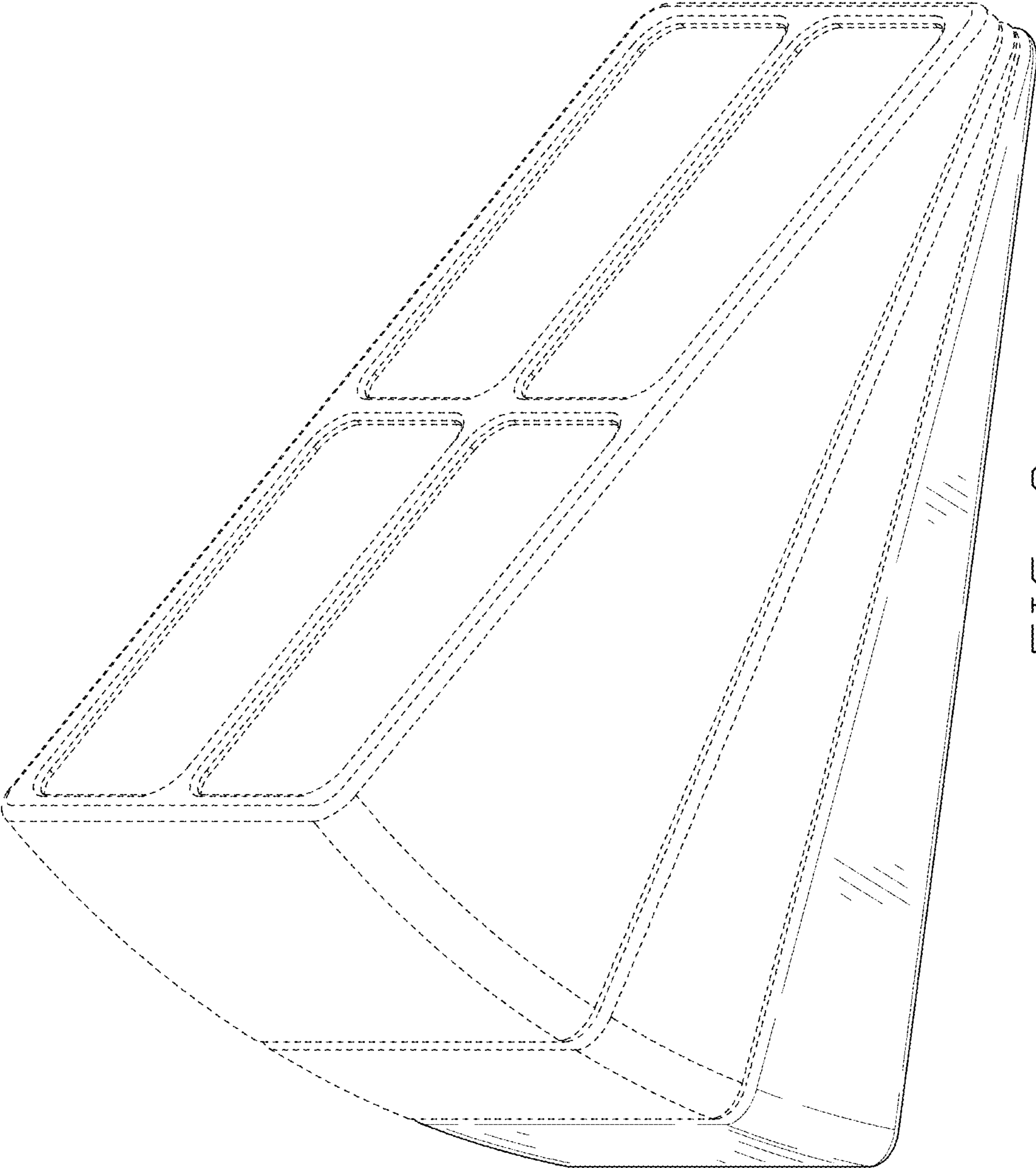


FIG. 9