



US00D972666S

(12) **United States Design Patent**
Mathew et al.

(10) **Patent No.:** **US D972,666 S**

(45) **Date of Patent:** **** Dec. 13, 2022**

(54) **ANKLE EXERCISE DEVICE**
(71) Applicants: **Antony Mathew**, Fort Myers, FL (US);
Amy Rose Thomas, Fort Myers, FL
(US); **Antony George Mathew**, Fort
Myers, FL (US)

(72) Inventors: **Antony Mathew**, Fort Myers, FL (US);
Amy Rose Thomas, Fort Myers, FL
(US); **Antony George Mathew**, Fort
Myers, FL (US)

(**) Term: **15 Years**

(21) Appl. No.: **29/788,061**

(22) Filed: **Mar. 3, 2021**

(51) **LOC (13) Cl.** **21-02**

(52) **U.S. Cl.**
USPC **D21/670**

(58) **Field of Classification Search**
USPC 482/79, 80; D21/663, 666, 668, 670,
D21/671, 685
CPC . A63B 23/08; A63B 21/4015; A63B 21/4034;
A63B 23/10; A63B 21/4013; A63B
2022/0094
See application file for complete search history.

(56) **References Cited**

U.S. PATENT DOCUMENTS

D796,591 S * 9/2017 Ho D21/668
D887,504 S 6/2020 Mathew et al.

D906,445 S * 12/2020 Colburn A63B 22/0664
D21/663
D945,538 S * 3/2022 Chen D21/670
D958,268 S * 7/2022 Zhu D21/686
D963,769 S * 9/2022 Khubani D21/671
2017/0252603 A1* 9/2017 Wu A63B 23/04

* cited by examiner

Primary Examiner — Gino Colan

Assistant Examiner — Gregory G McLemore

(74) *Attorney, Agent, or Firm* — Dunlap Bennett &
Ludwig, PLLC

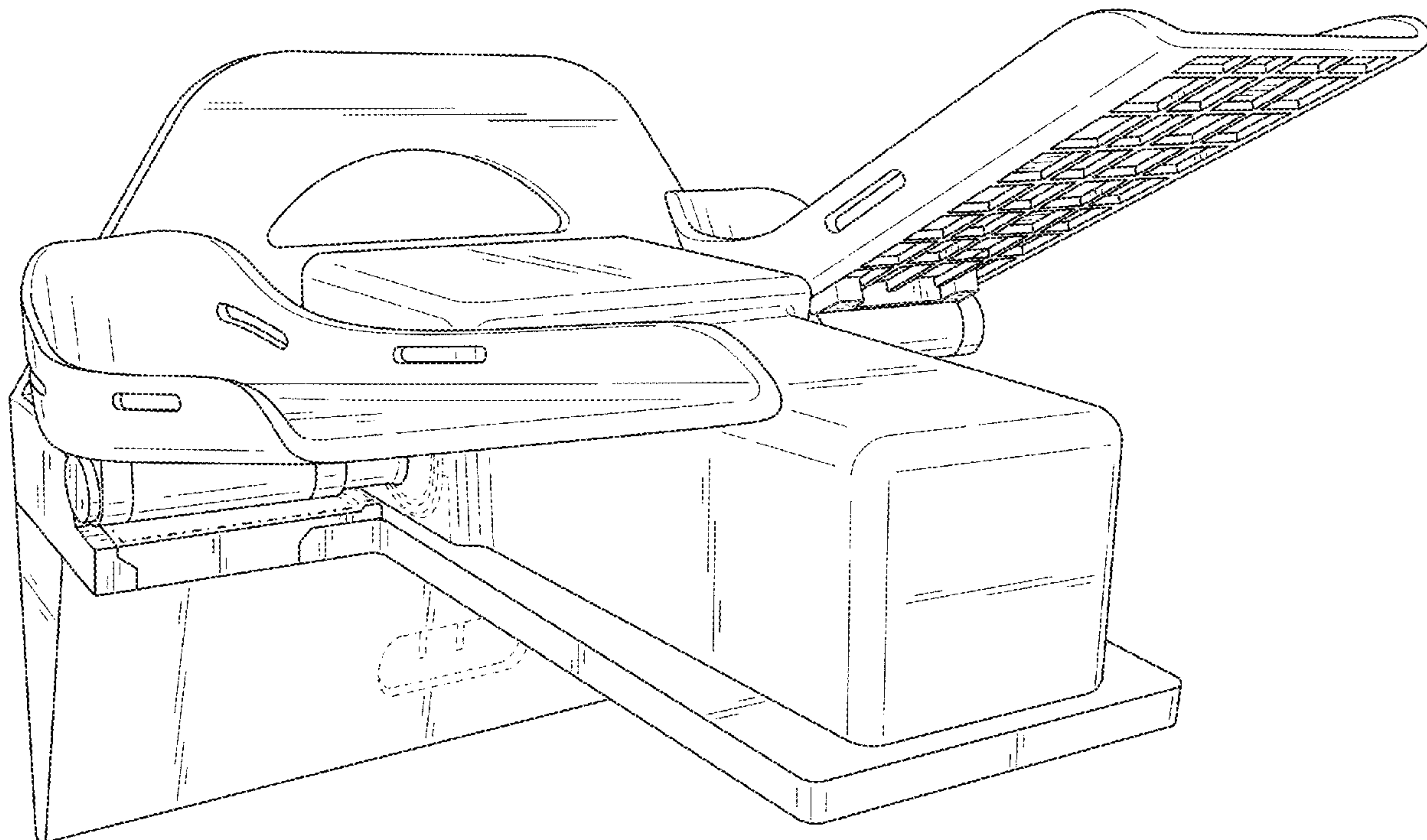
(57) **CLAIM**

The ornamental design for an ankle exercise device, as shown and described.

DESCRIPTION

FIG. 1 is a front perspective view of the ankle exercise device showing our new design;
FIG. 2 is a front elevation view thereof;
FIG. 3 is a rear elevation view thereof;
FIG. 4 is a left side elevation view thereof;
FIG. 5 is a right side elevation view thereof;
FIG. 6 is a top plan view thereof; and,
FIG. 7 is a bottom plan view thereof.
The broken lines shown in the drawings illustrate portions of the ankle exercise device that form no part of the claimed design.

1 Claim, 7 Drawing Sheets



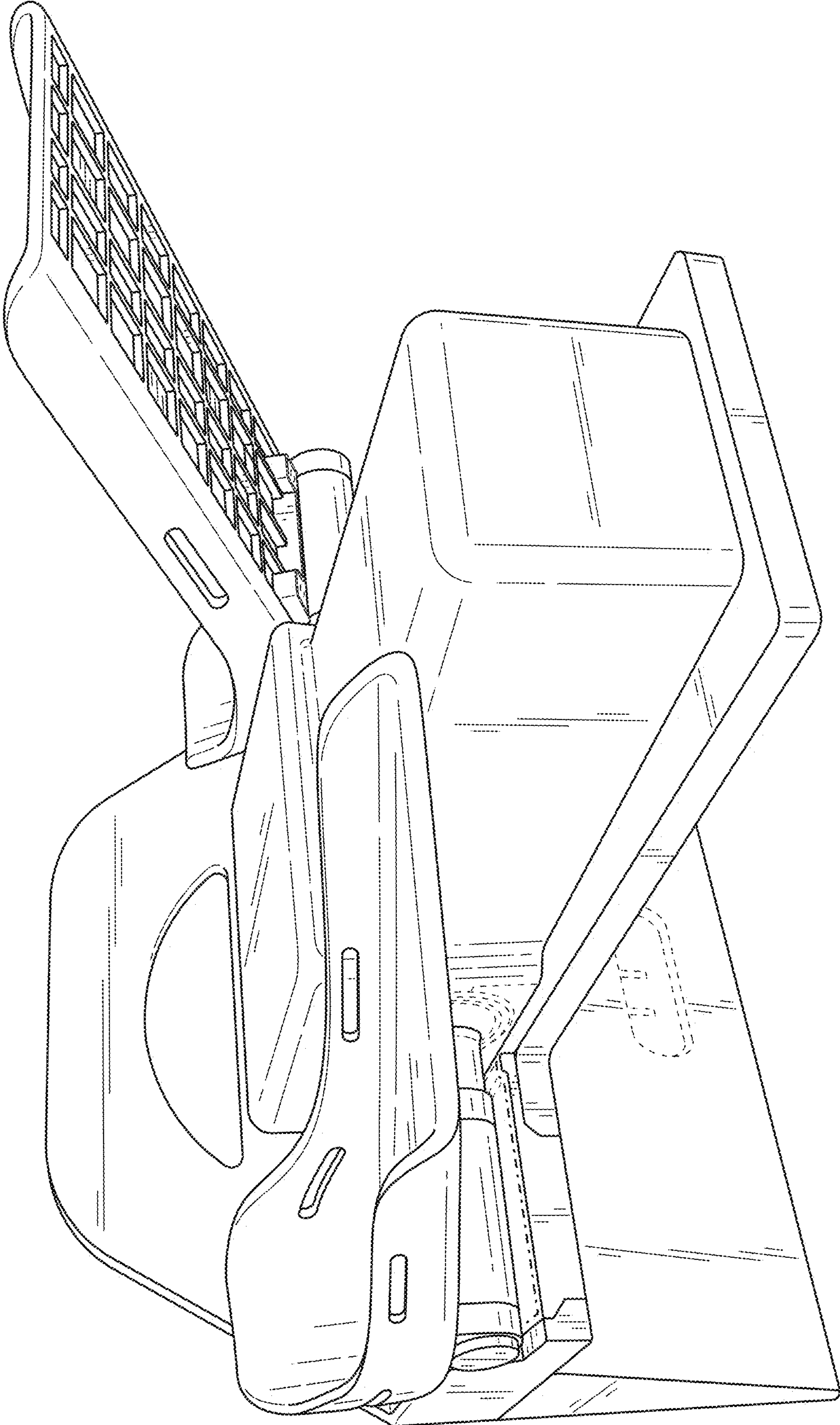


FIG. 1

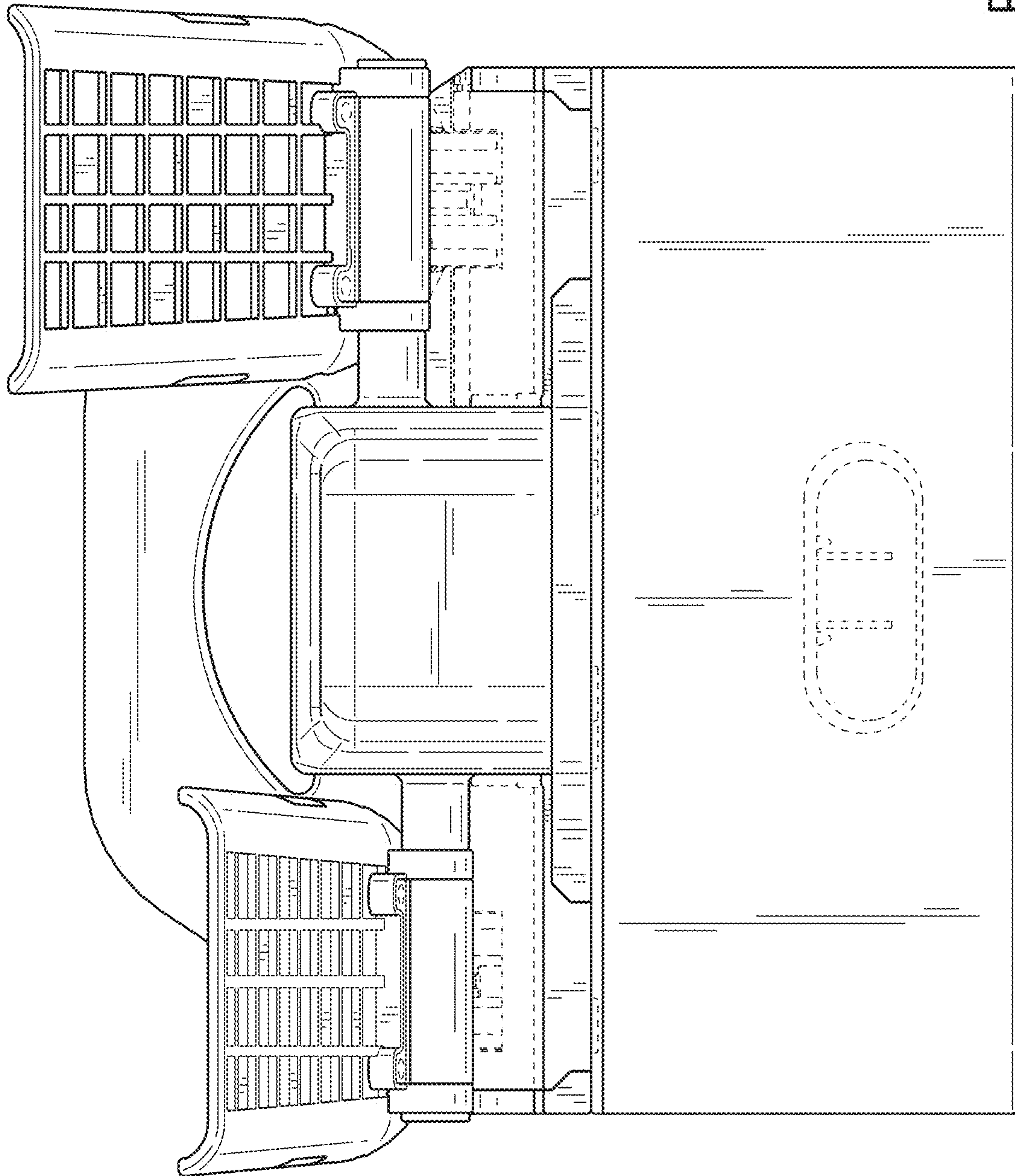


FIG. 2

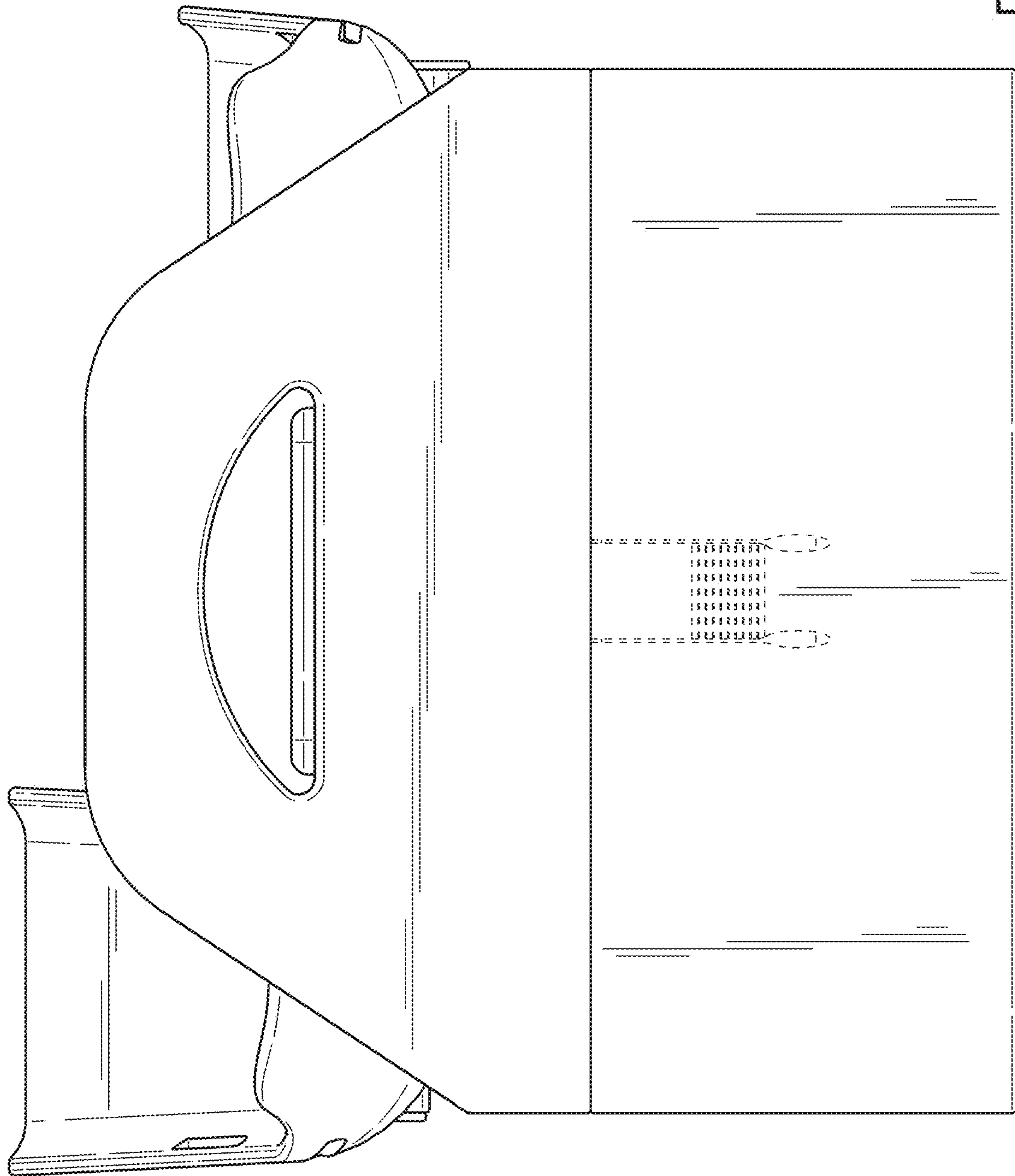


FIG. 3

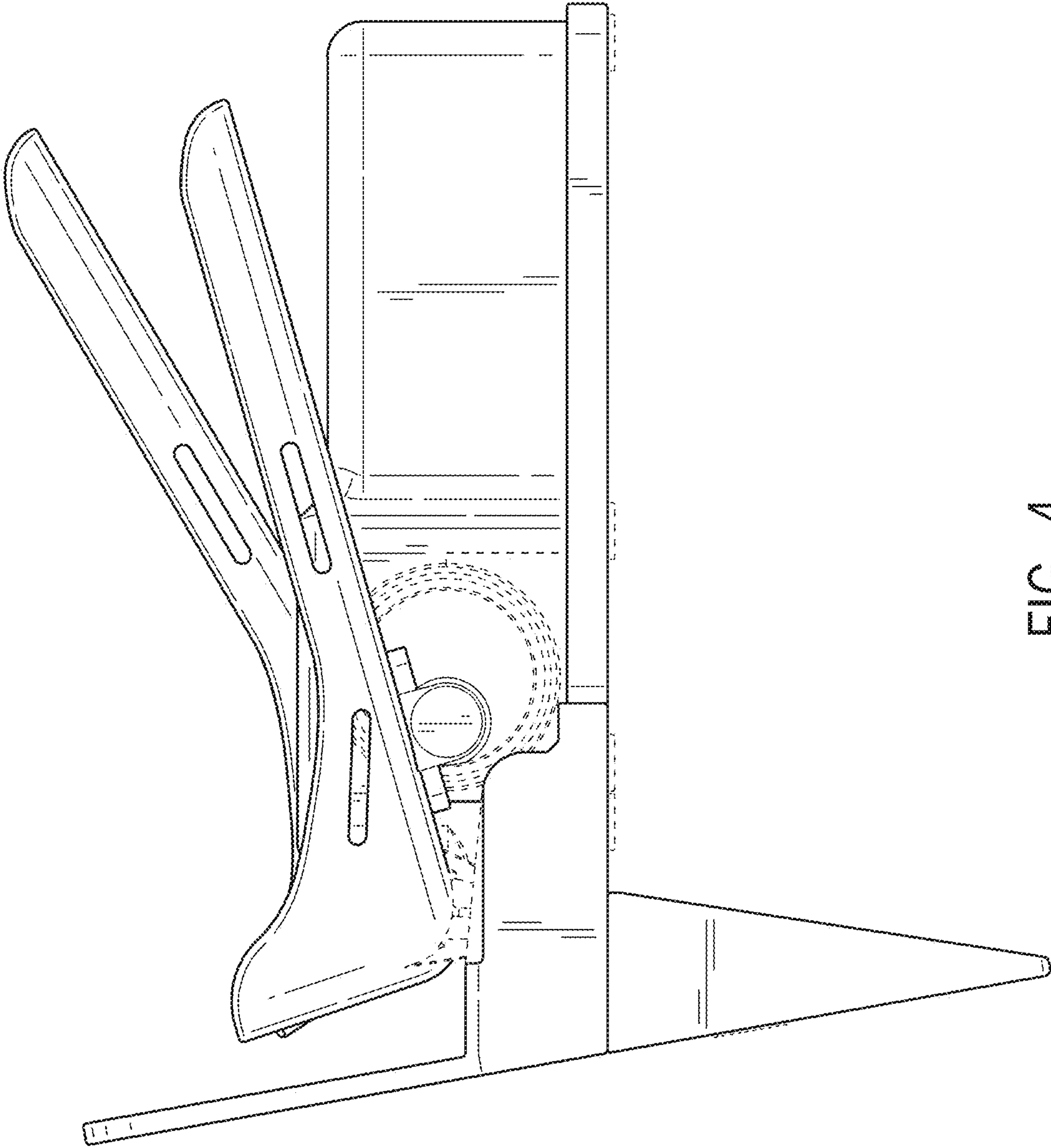


FIG. 4

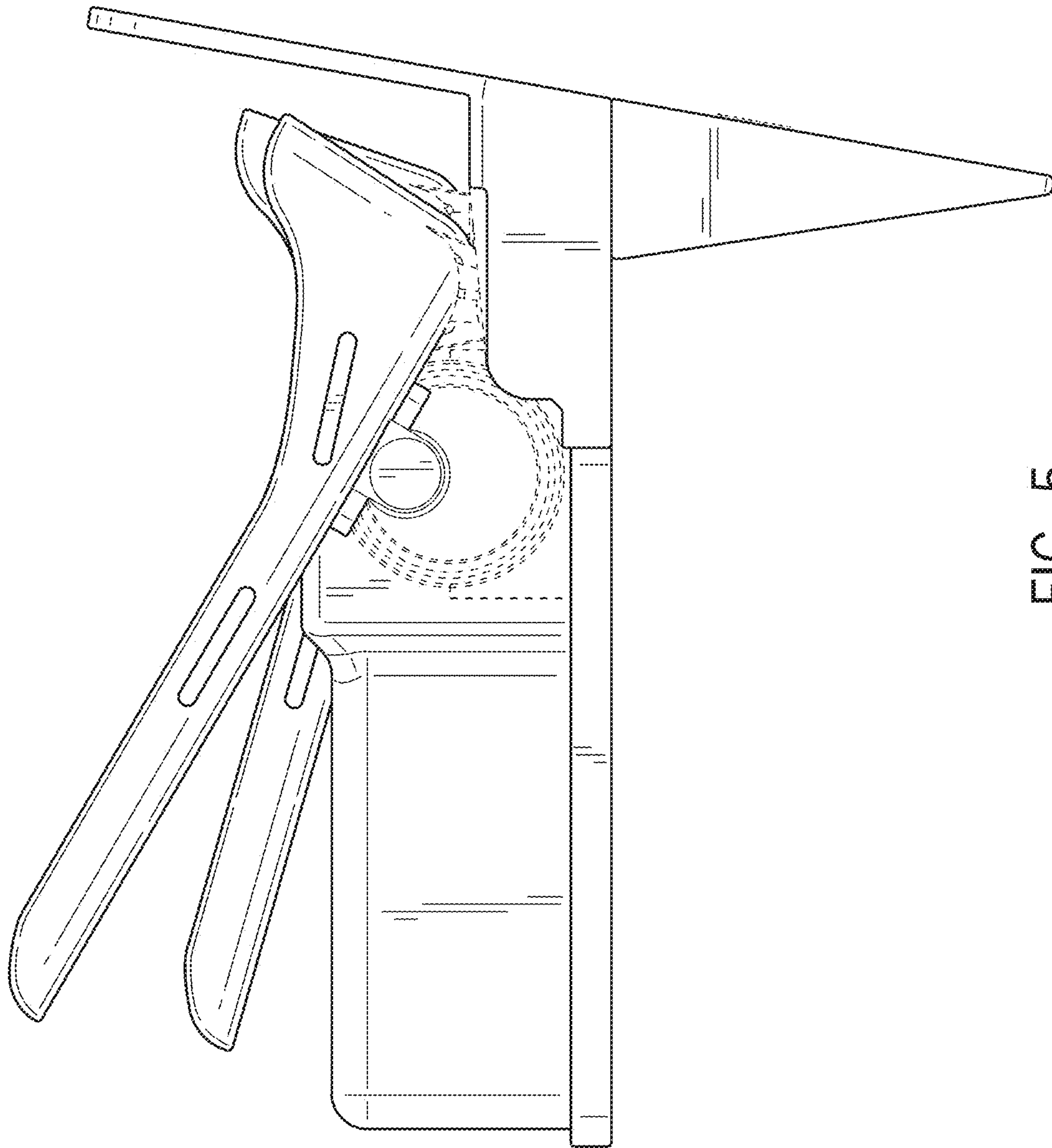


FIG. 5

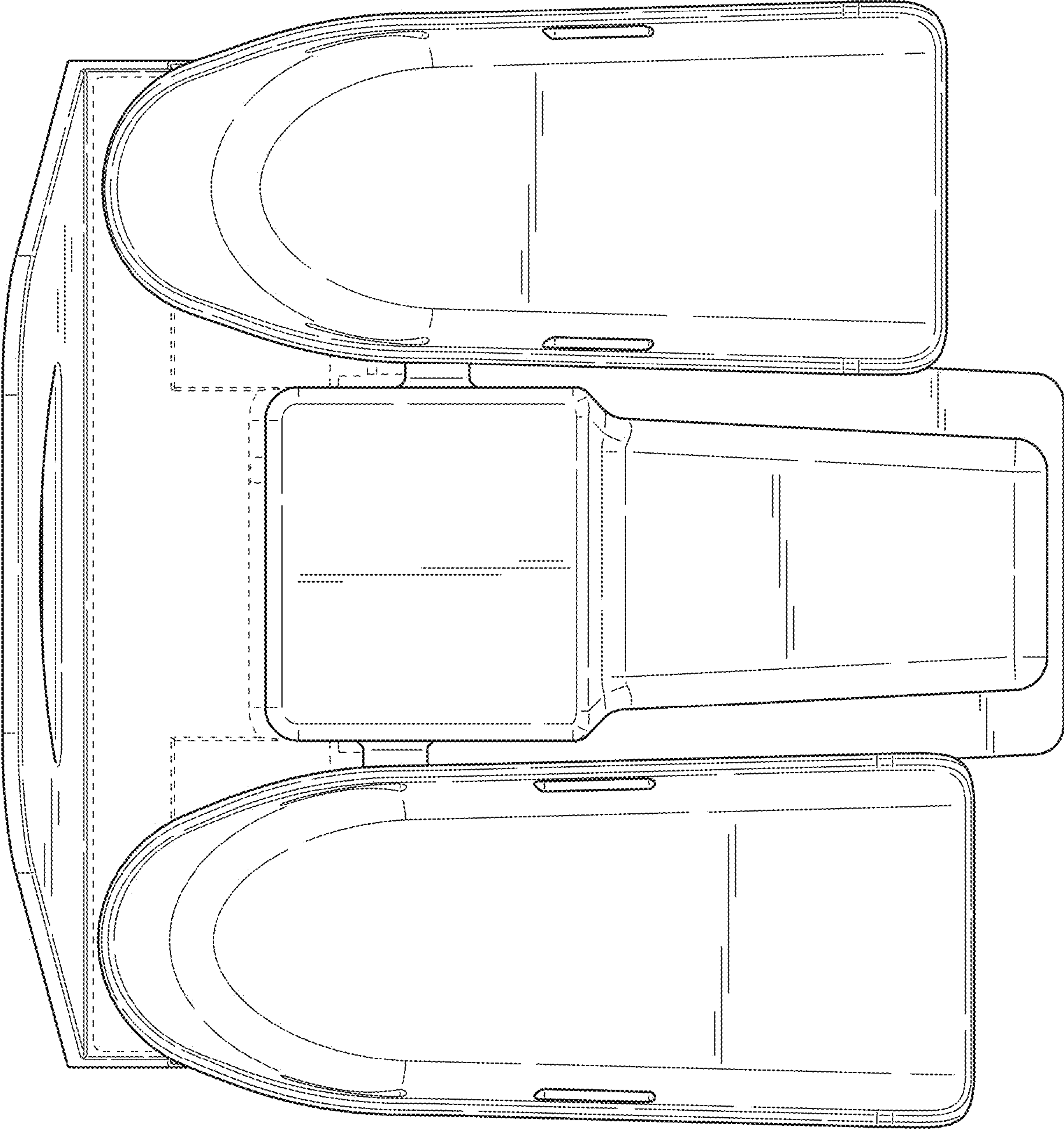


FIG. 6

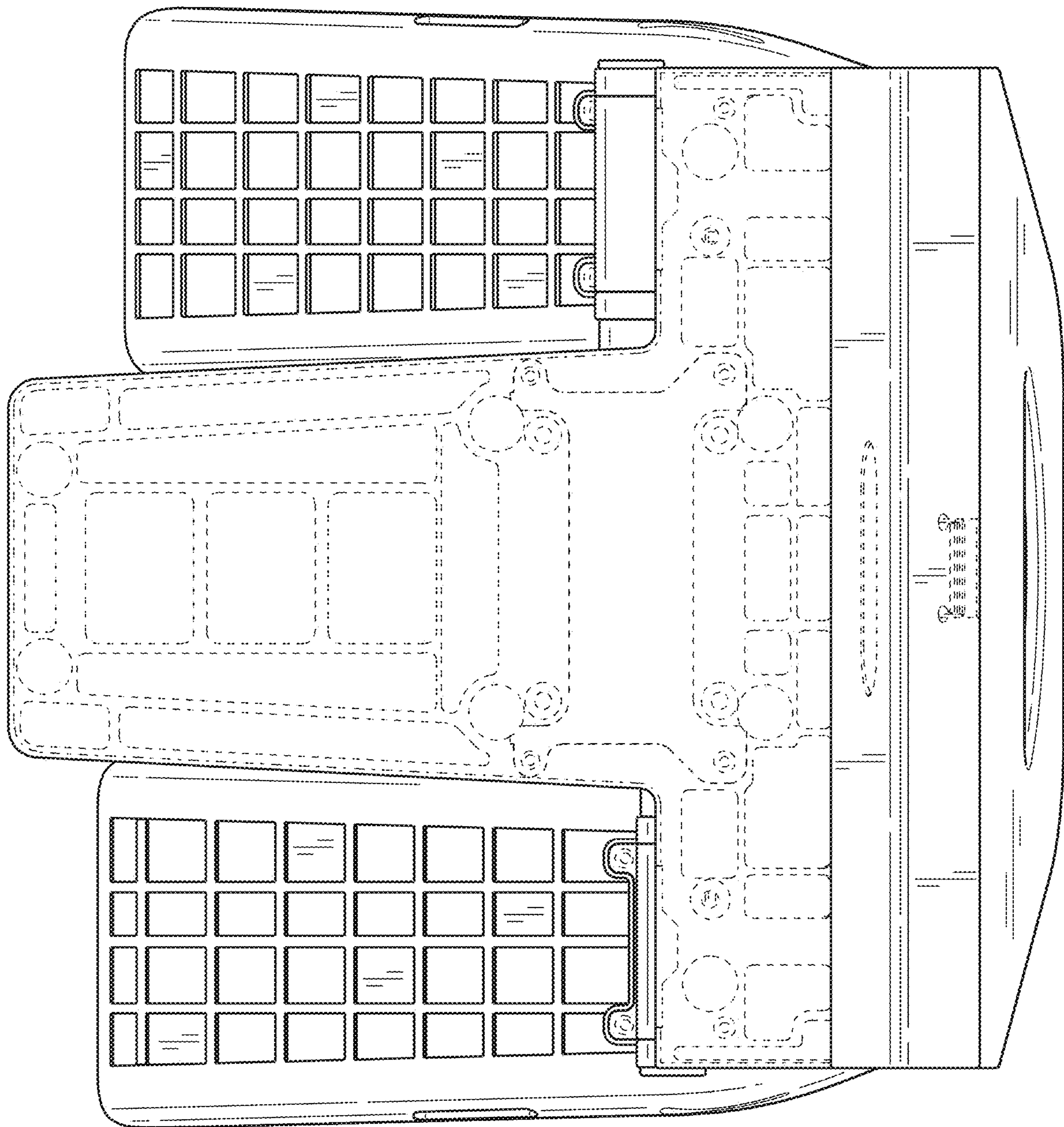


FIG. 7