



US00D972665S

(12) **United States Design Patent**
Lisi et al.

(10) **Patent No.: US D972,665 S**

(45) **Date of Patent: ** Dec. 13, 2022**

(54) **ELLIPTICAL TRAINER**

(71) Applicant: **TECHNOGYM S.p.A.**, Cesena (IT)

(72) Inventors: **Ivan Lisi**, Cesena (IT); **Nerio Alessandri**, Cesena (IT)

(73) Assignee: **TECHNOGYM S.p.A.**, Cesena (IT)

(**) Term: **15 Years**

(21) Appl. No.: **29/673,801**

(22) Filed: **Dec. 18, 2018**

(30) **Foreign Application Priority Data**

Jul. 11, 2018 (EM) 005500295

(51) **LOC (13) Cl.** **21-02**

(52) **U.S. Cl.**
USPC **D21/668**

(58) **Field of Classification Search**
USPC D21/663, 665, 668, 670, 694, 697
CPC A61H 1/0214
See application file for complete search history.

(56) **References Cited**

U.S. PATENT DOCUMENTS

D388,847 S *	1/1998	Whan-Tong	D21/670
D451,972 S *	12/2001	Easley	D21/694
D464,688 S *	10/2002	May	D21/668
6,939,271 B1 *	9/2005	Whan-Tong	A63B 22/001 482/52
D530,758 S *	10/2006	Kim	D21/668
D615,604 S *	5/2010	Keiser	D21/668
D774,572 S *	12/2016	Guzman	D15/138
D785,730 S *	5/2017	Huang	D21/670
D801,451 S *	10/2017	Hooper	D21/668
D801,454 S *	10/2017	Hooper	D21/694
D843,502 S *	3/2019	Hsieh	D21/668

(Continued)

OTHER PUBLICATIONS

“Technogym Excite Live Synchro” 2020, site visited Apr. 1, 2021
<https://www.technogym.com/us/excite-synchro.html> (Year: 2020).*

Primary Examiner — Michael C Stout

Assistant Examiner — Melvin L Davis

(74) *Attorney, Agent, or Firm* — Thomas | Horstemeyer, LLP

(57) **CLAIM**

The ornamental design for an elliptical trainer, as shown and described.

DESCRIPTION

FIG. 1 is a perspective view of an elliptical trainer, showing our new design;

FIG. 2 is a front view thereof;

FIG. 3 is a rear view thereof, opposite that of FIG. 2;

FIG. 4 is a side view thereof;

FIG. 5 is a side view thereof, opposite that of FIG. 4;

FIG. 6 is a top view thereof;

FIG. 7 is a bottom view thereof;

FIG. 8 is another perspective view of an elliptical trainer, showing an alternative position of the elliptical trainer of FIG. 1;

FIG. 9 is a front view of the elliptical trainer of FIG. 8;

FIG. 10 is a rear view of the elliptical trainer of FIG. 8, opposite that of FIG. 9;

FIG. 11 is a side view of the elliptical trainer of FIG. 8;

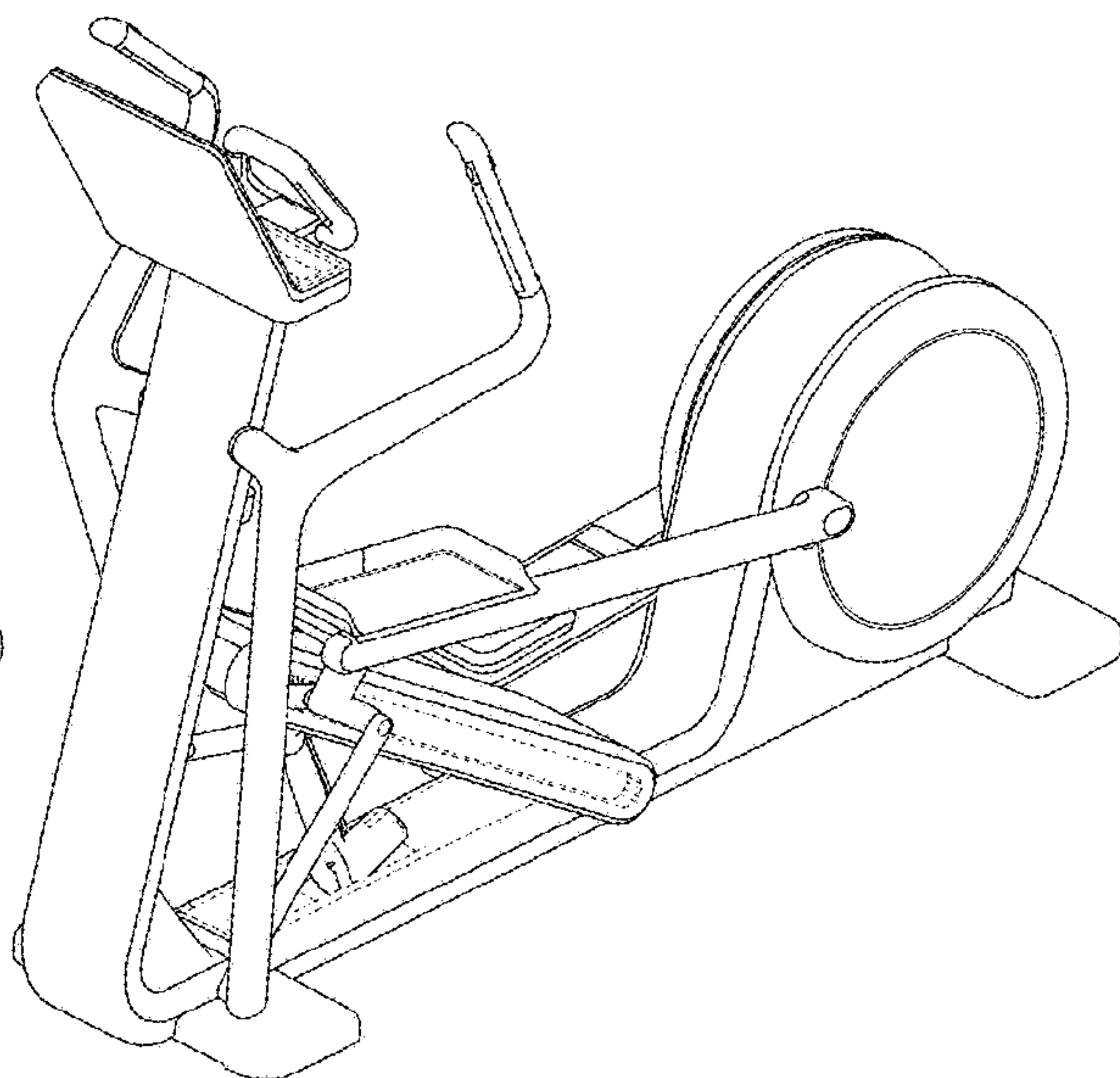
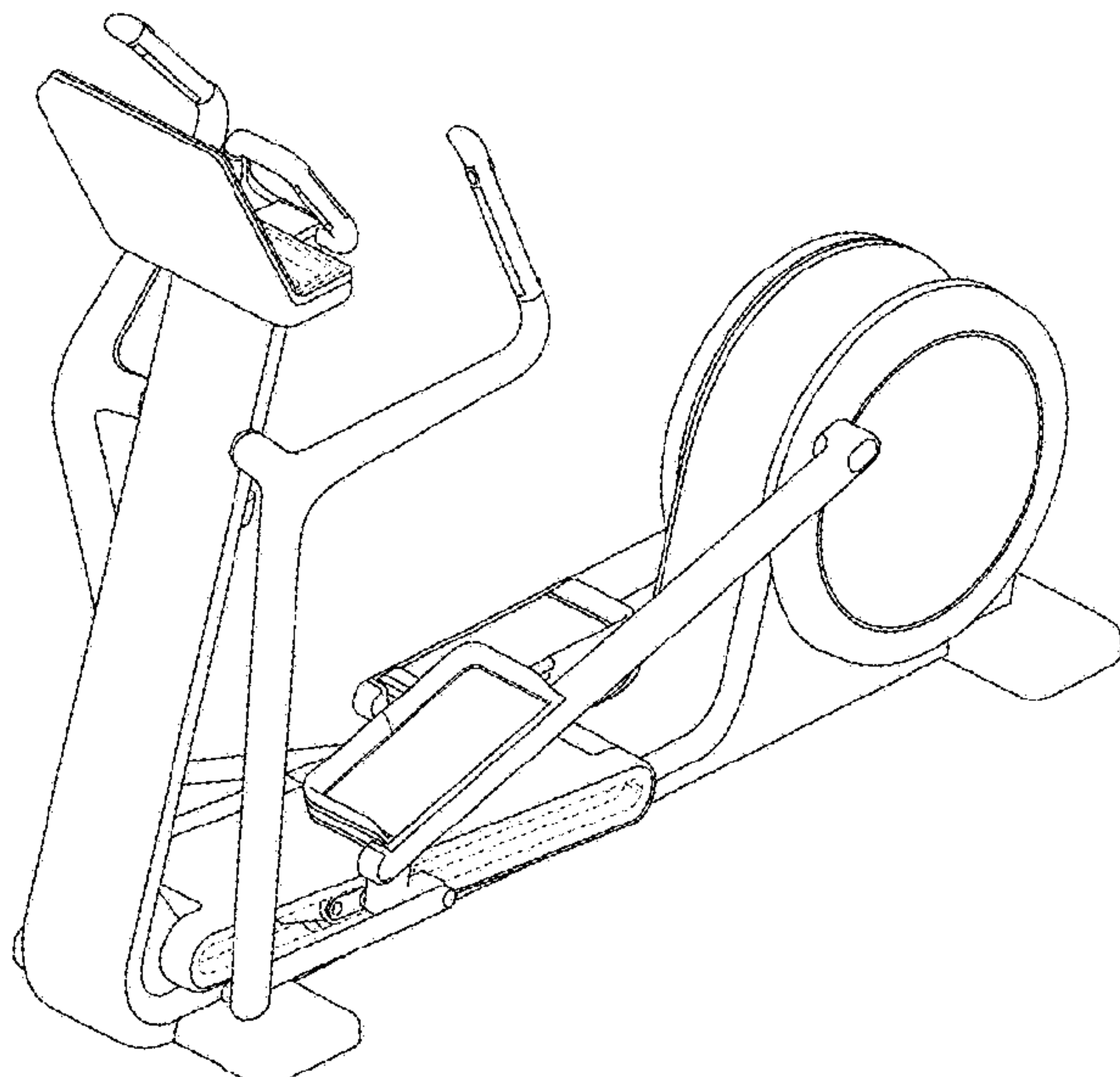
FIG. 12 is a side view of the elliptical trainer of FIG. 8, opposite that of FIG. 11;

FIG. 13 is a top view of the elliptical trainer of FIG. 8; and,

FIG. 14 is a bottom view of the elliptical trainer of FIG. 8.

The broken lines shown in the drawings illustrate portions of the elliptical trainer that form no part of the claimed design. The foot pedals of the elliptical trainer are shown in alternative positionings between FIGS. 2, 3, 4, and 5, and 9, 10, 11, and 12, respectively.

1 Claim, 14 Drawing Sheets



(56)

References Cited

U.S. PATENT DOCUMENTS

D854,100 S * 7/2019 Xing D21/668
D912,167 S * 3/2021 Johansen D21/671

* cited by examiner

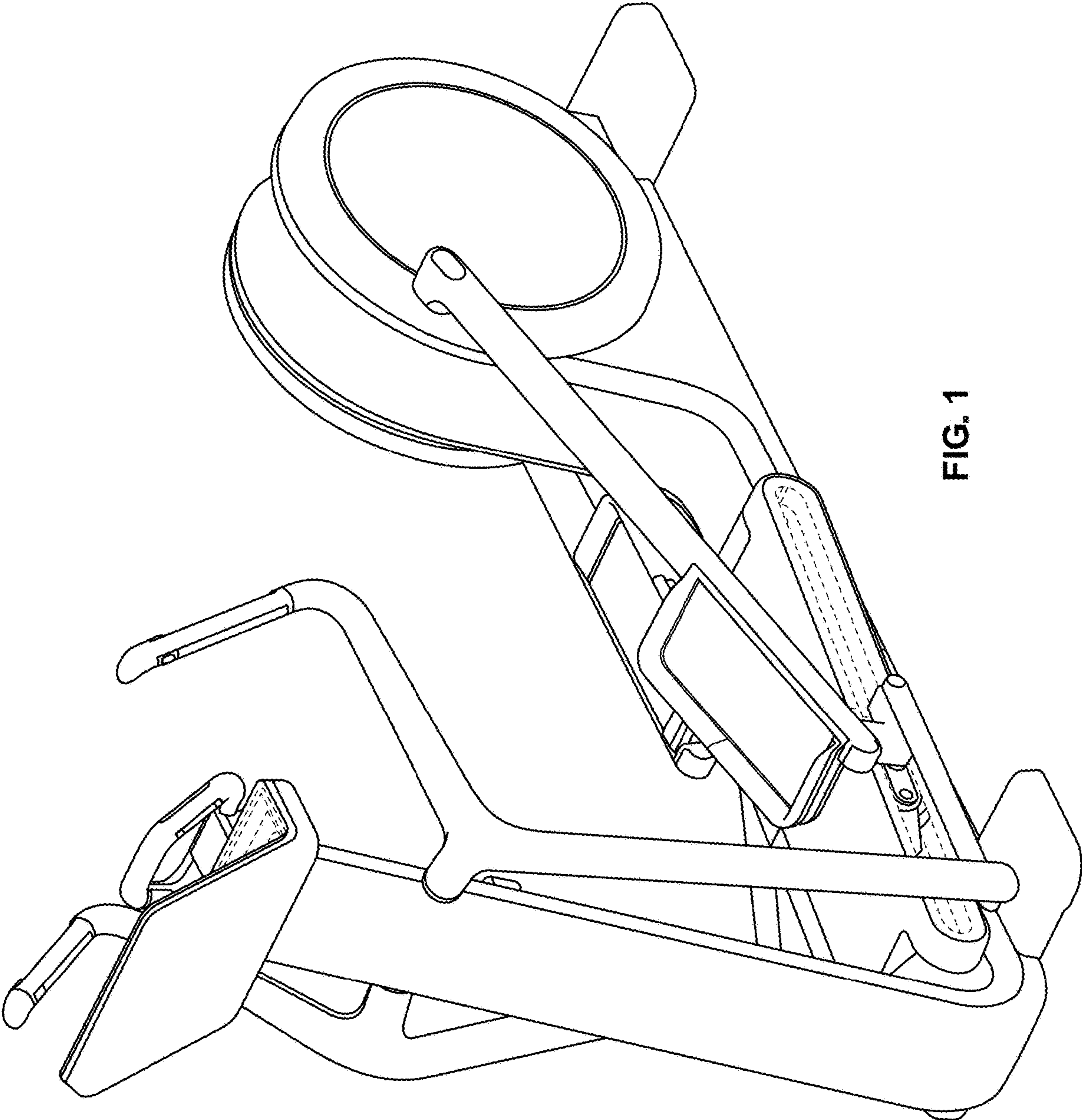


FIG. 1

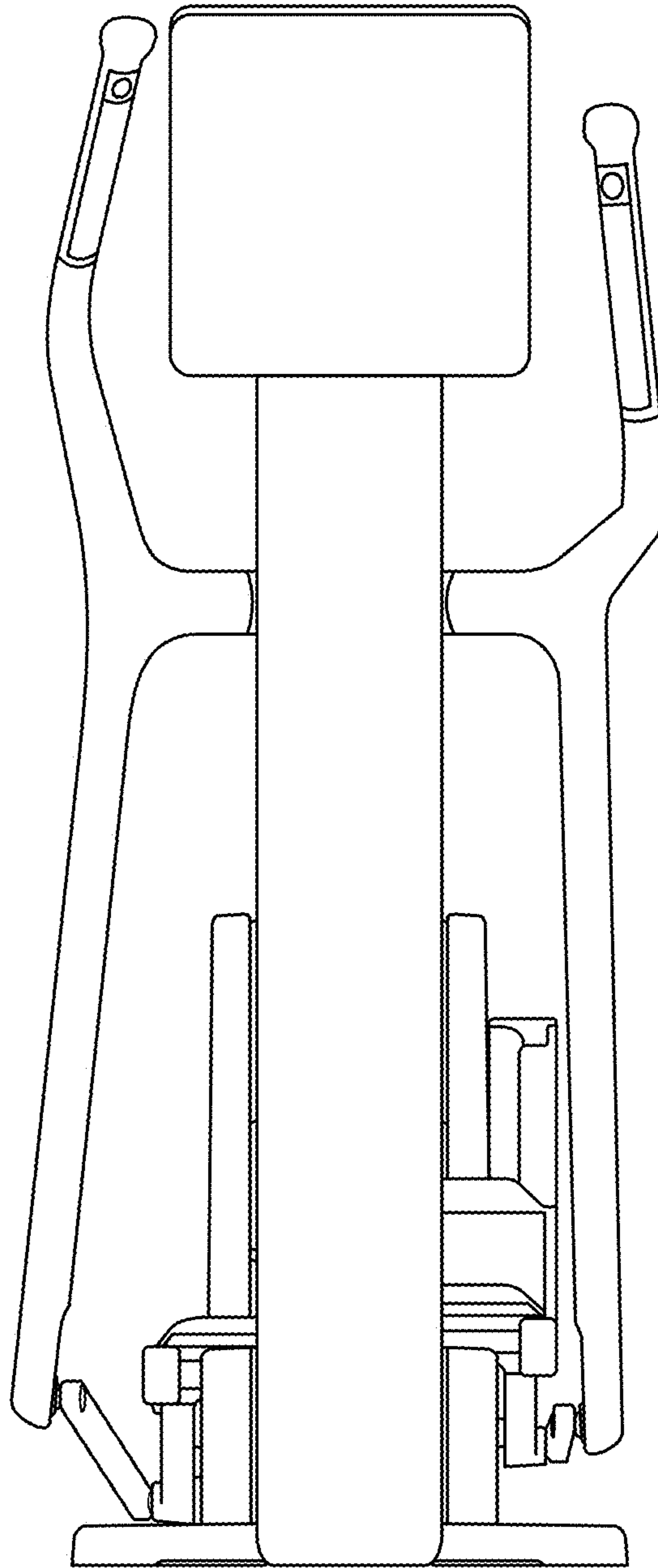


FIG. 2

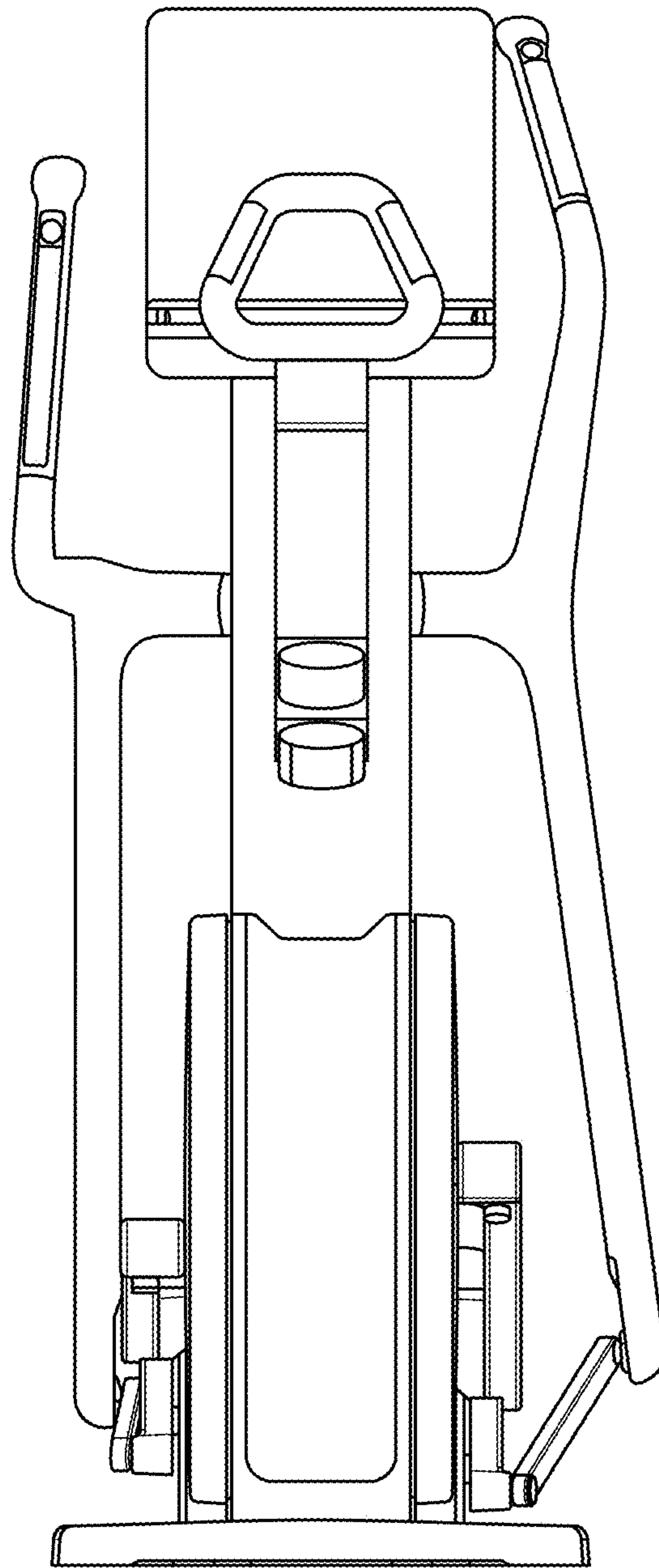


FIG. 3

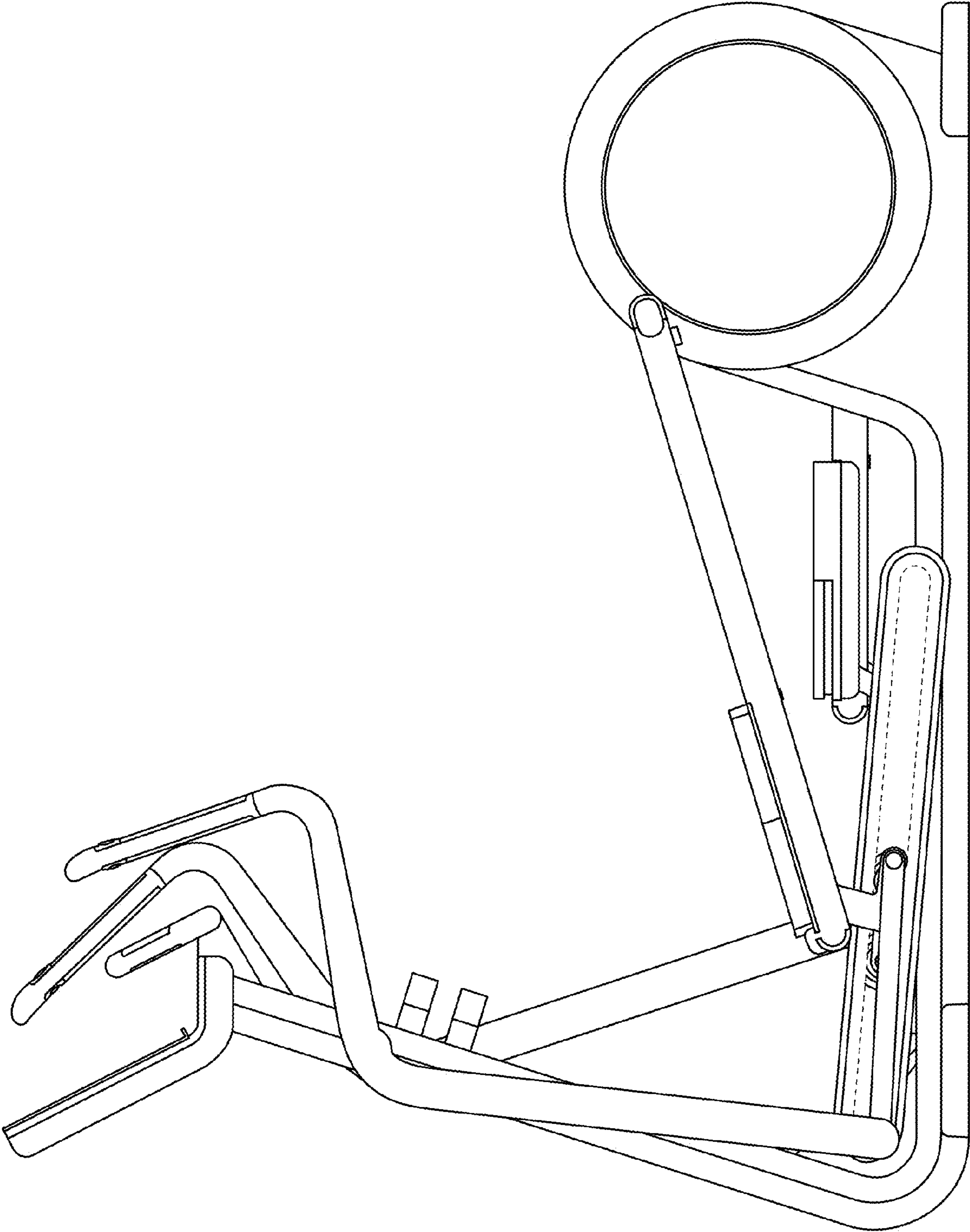


FIG. 4

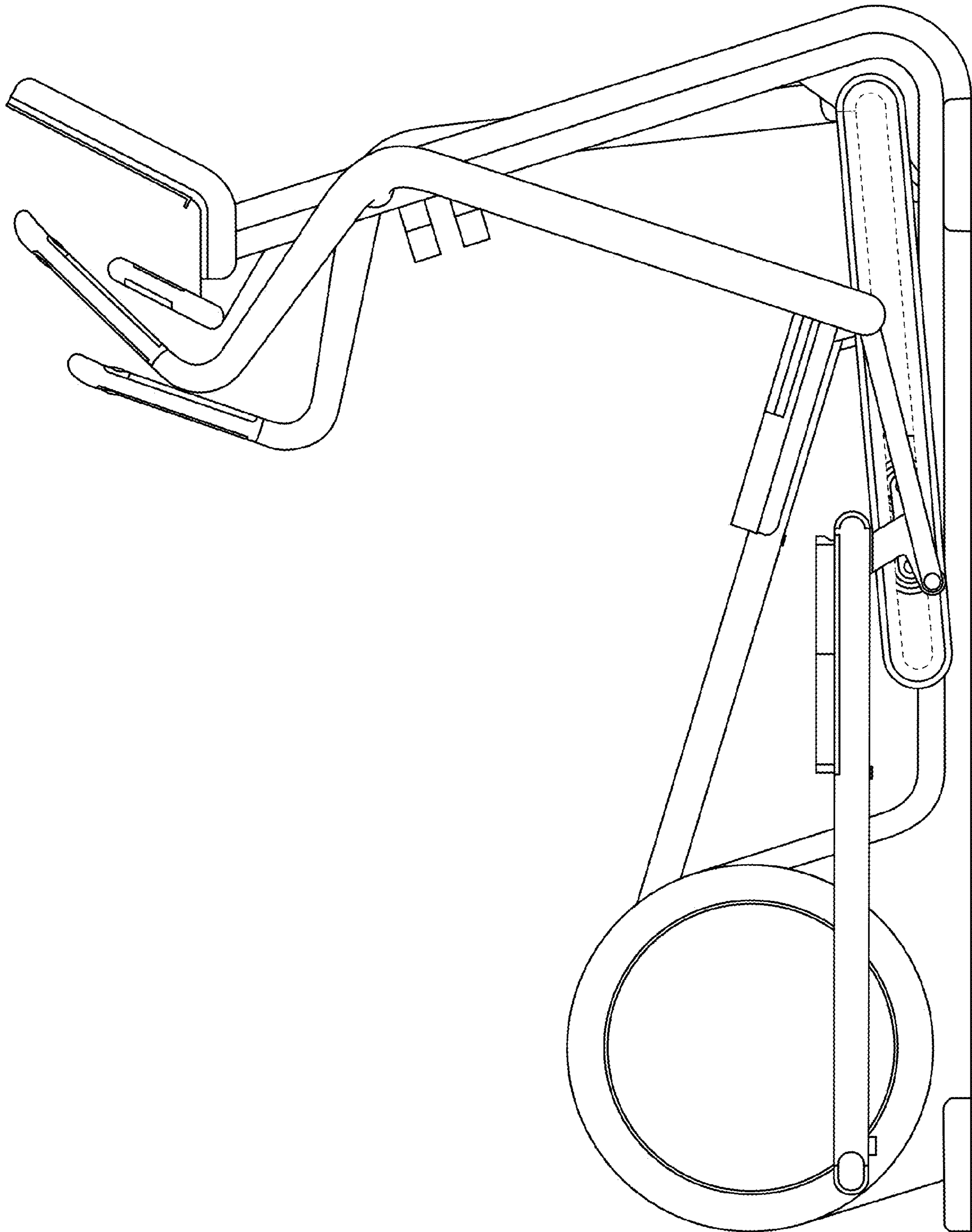


FIG. 5

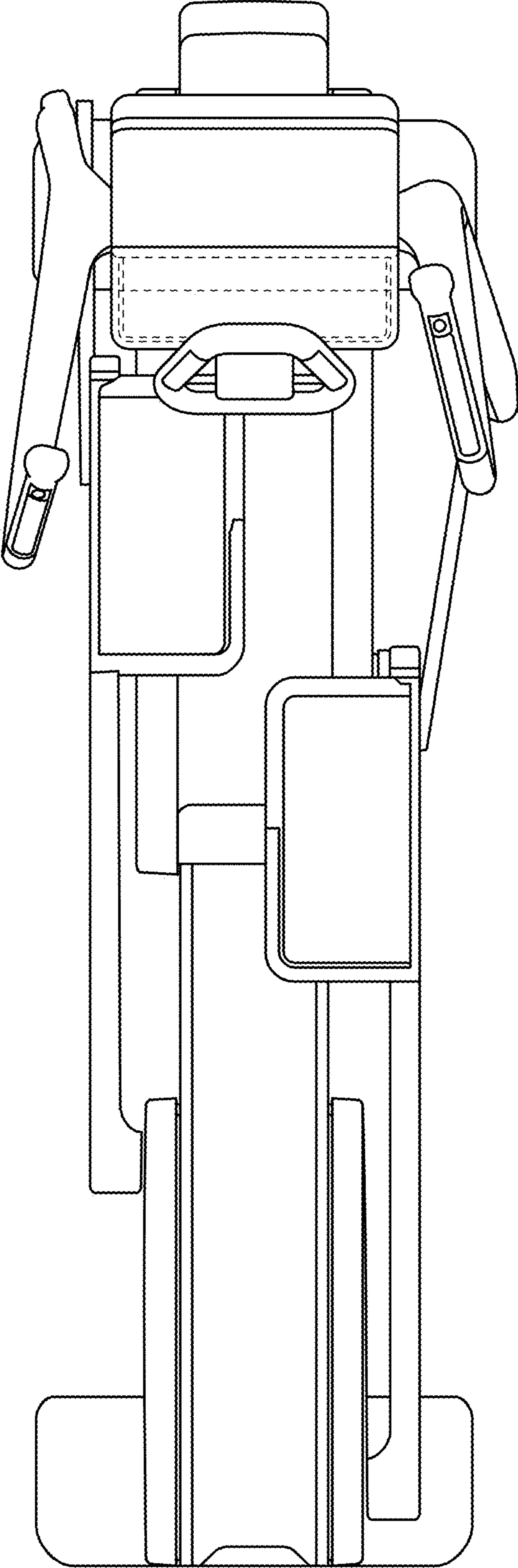


FIG. 6

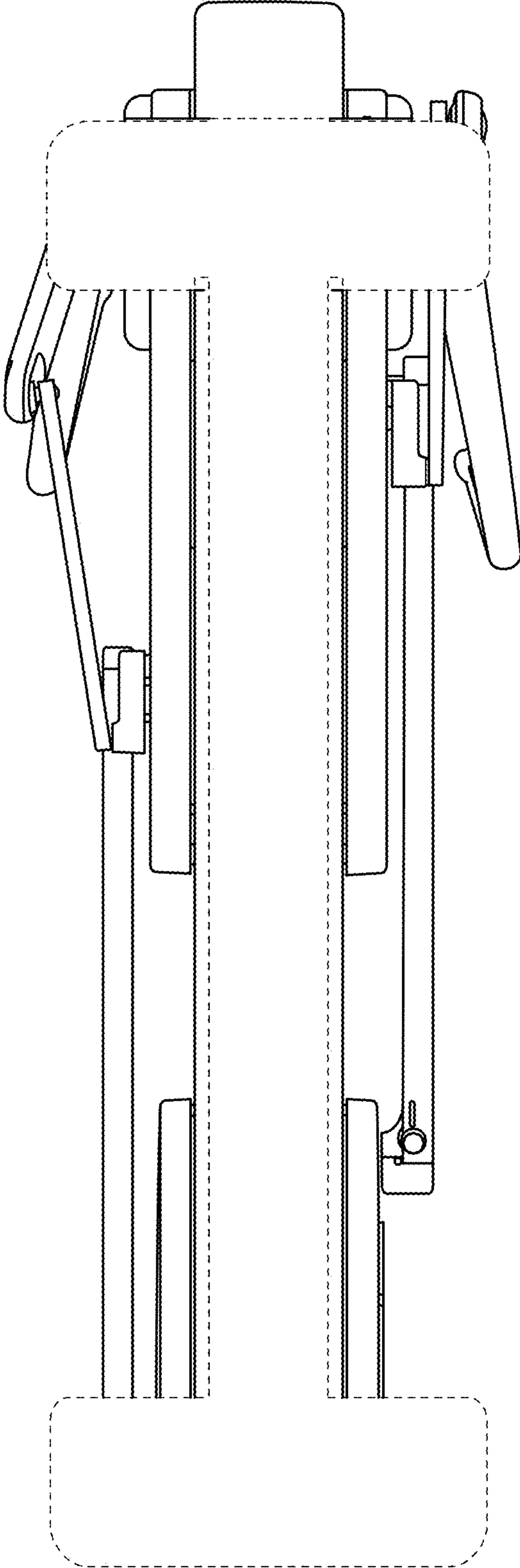


FIG. 7

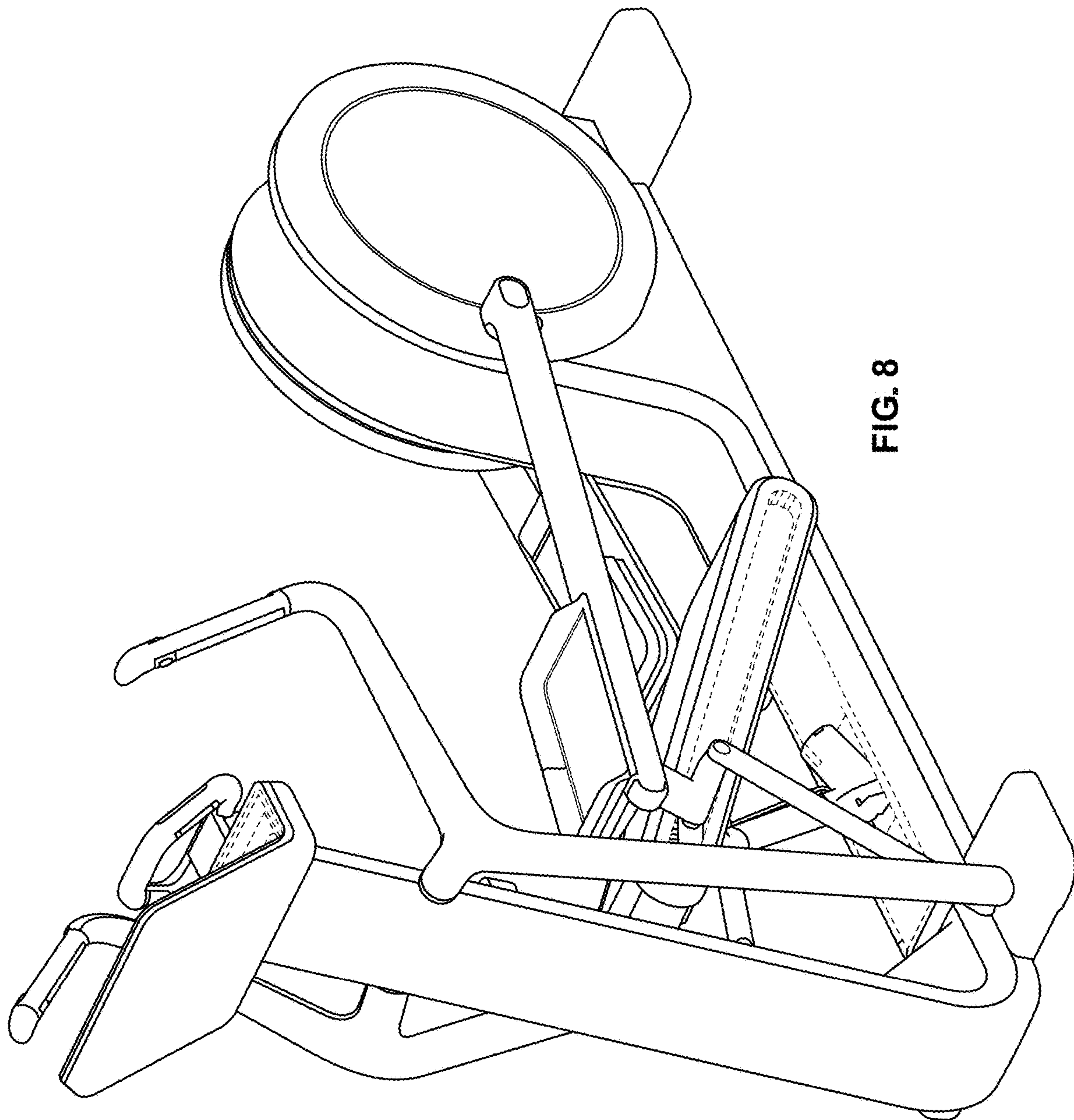


FIG. 8

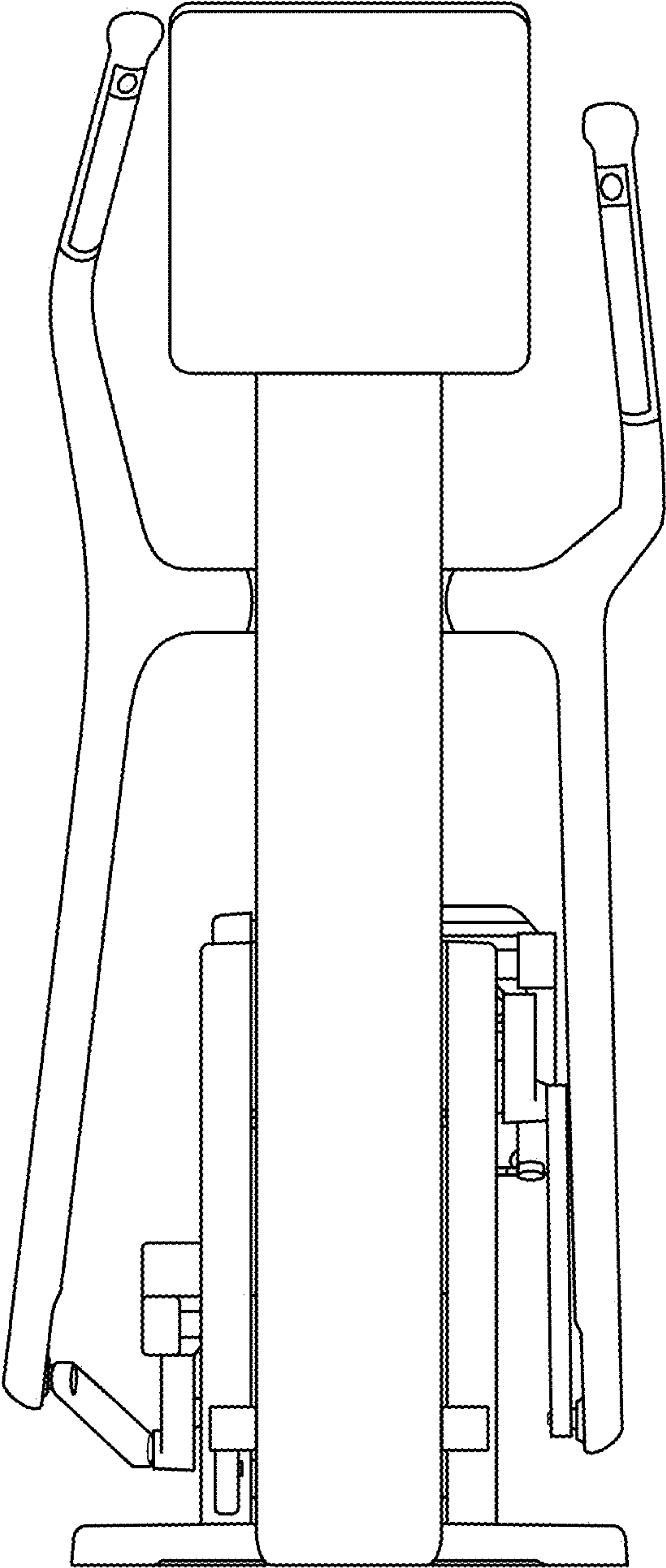


FIG. 9

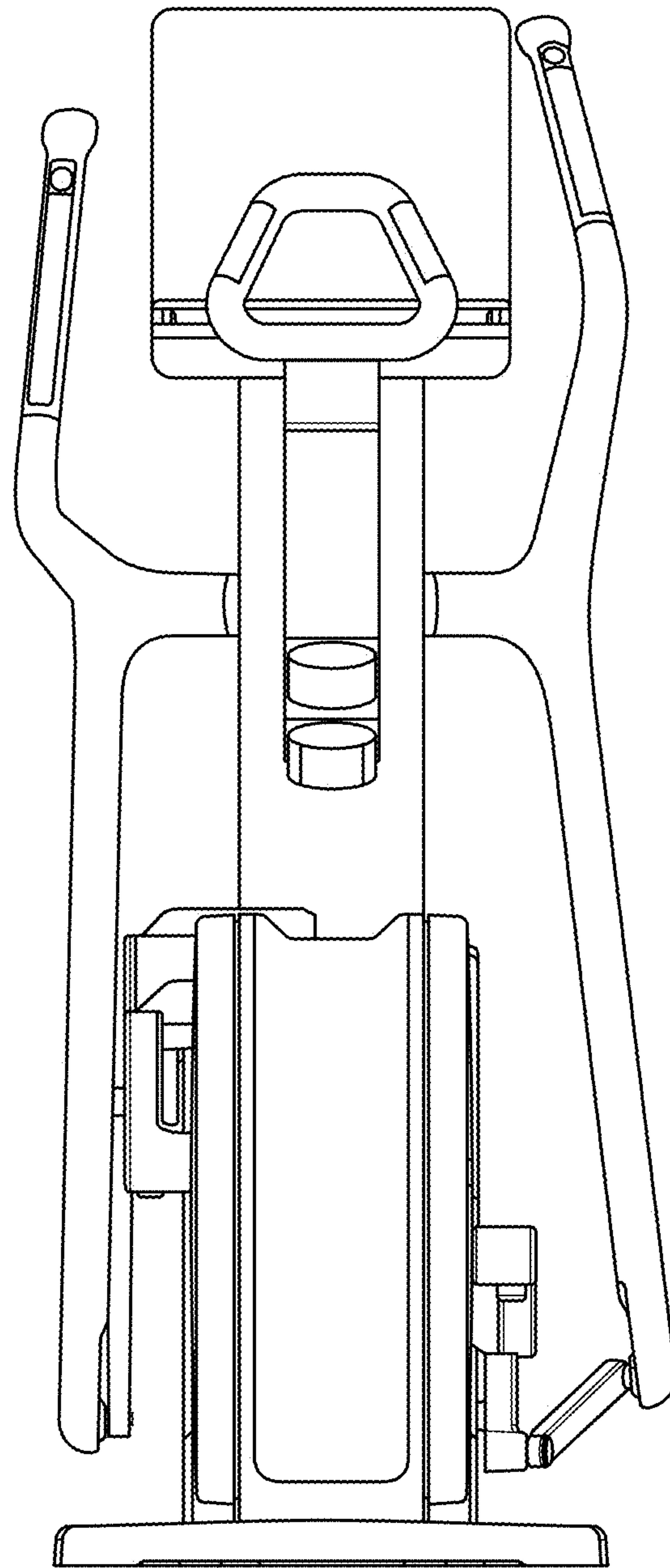


FIG. 10

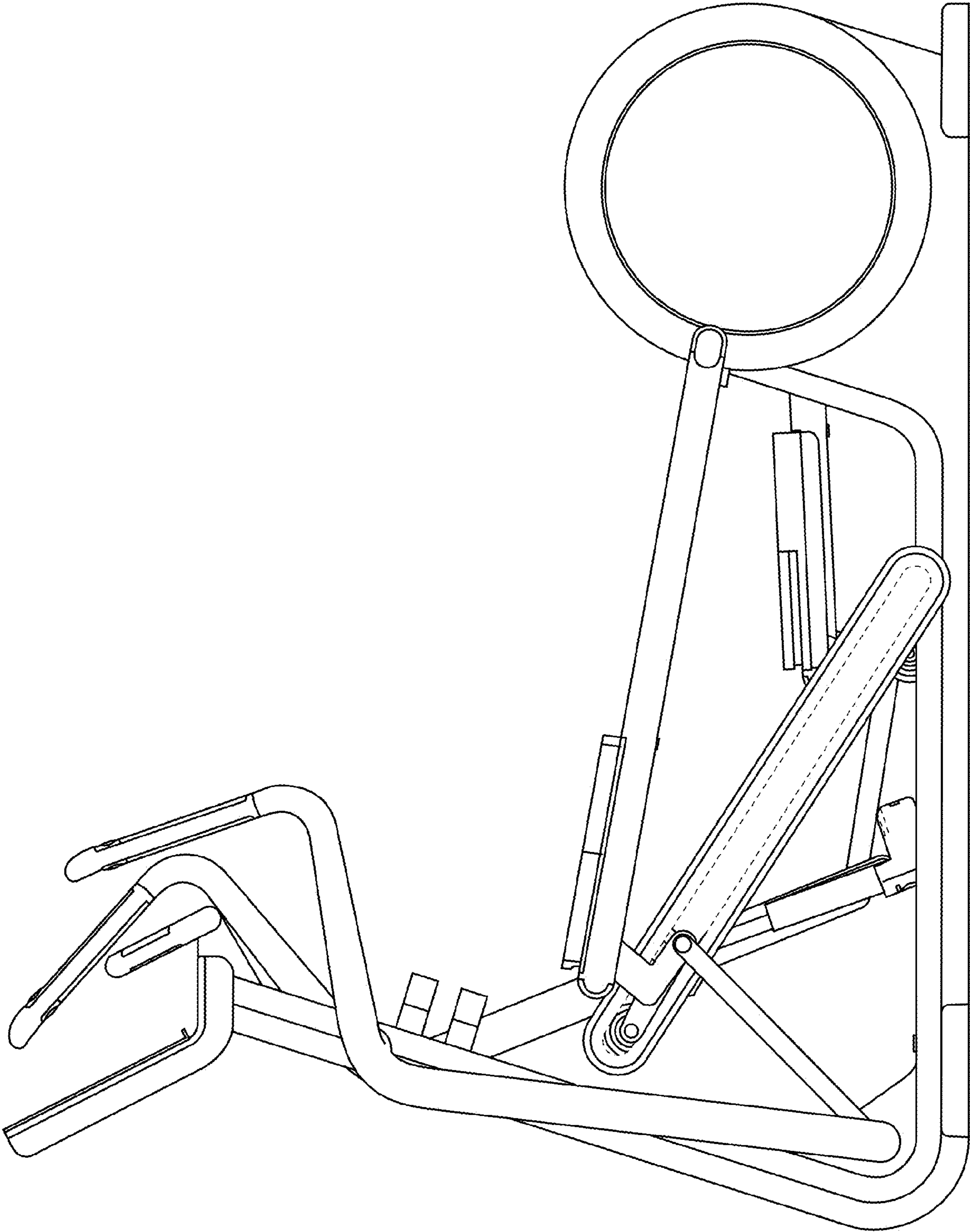


FIG. 11

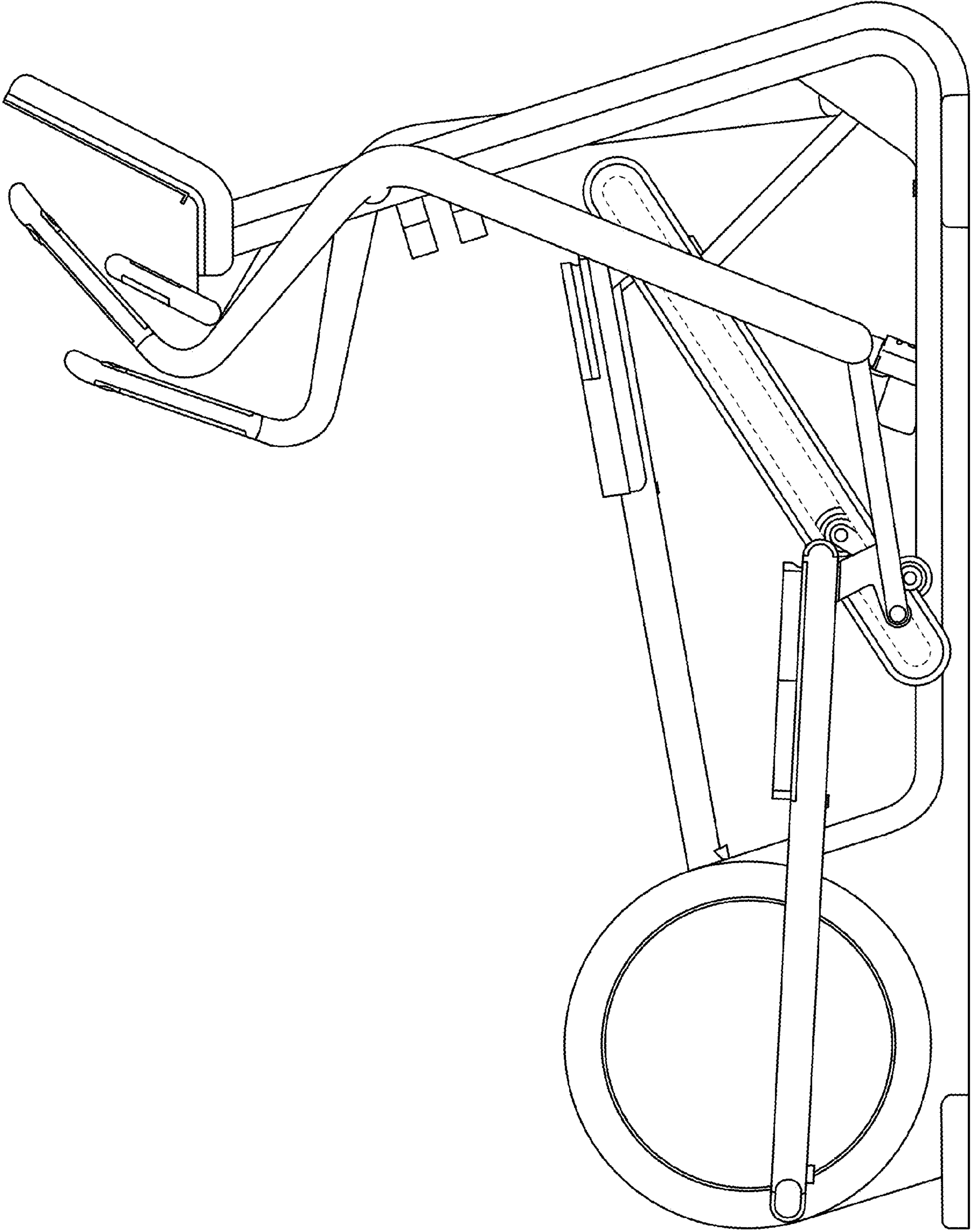


FIG. 12

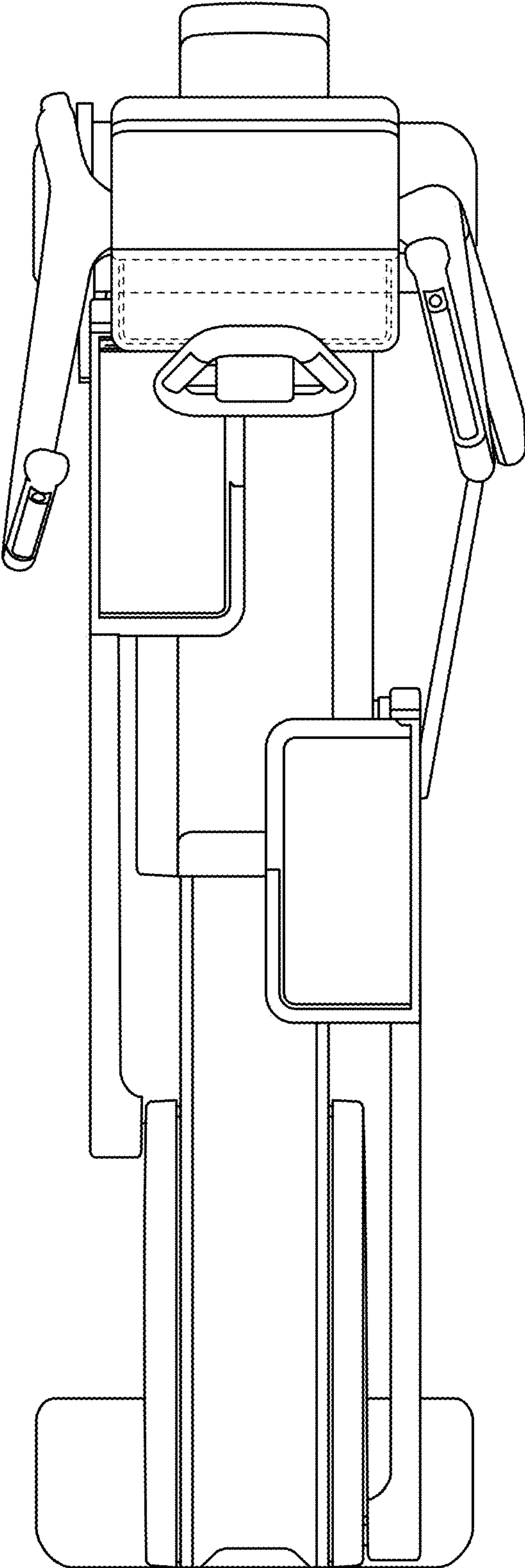


FIG. 13

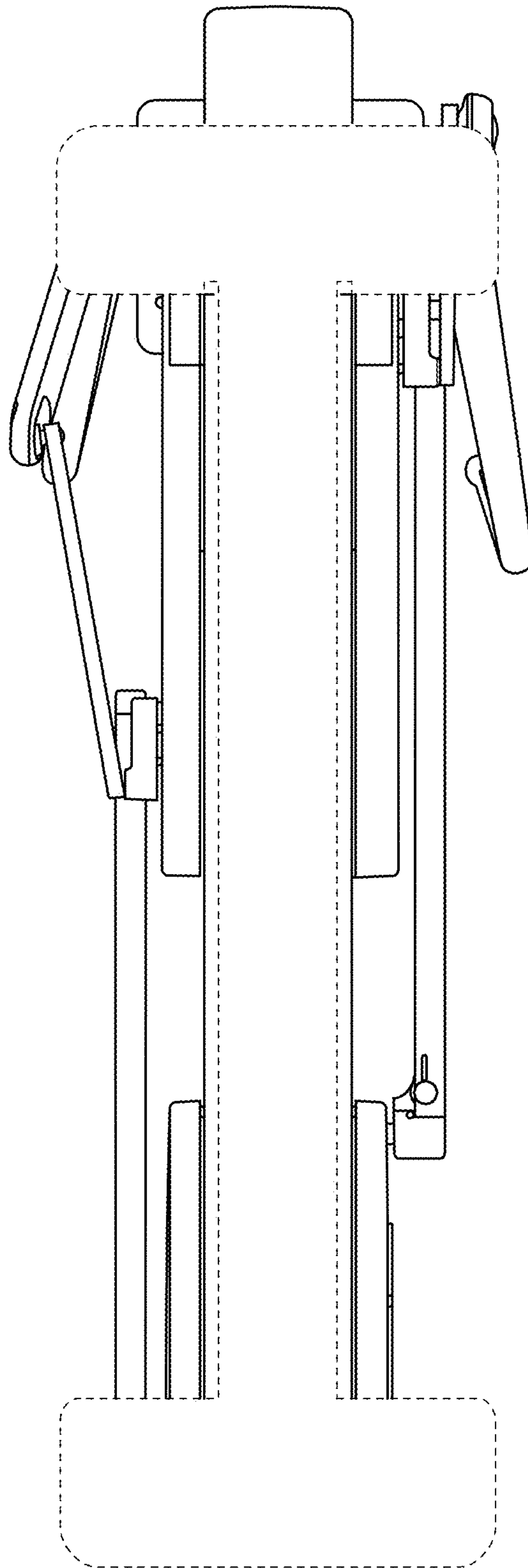


FIG. 14