



US00D972659S

(12) **United States Design Patent**
McClellan

(10) **Patent No.:** **US D972,659 S**
(45) **Date of Patent:** **** Dec. 13, 2022**

(54) **TOY COMBAT ROBOT**

(71) Applicant: **MerchSource, LLC**, Irvine, CA (US)
(72) Inventor: **Samuel Joseph McClellan**, Venice, CA (US)

(73) Assignee: **MerchSource, LLC**, Irvine, CA (US)

(**) Term: **15 Years**

(21) Appl. No.: **29/775,016**

(22) Filed: **Mar. 19, 2021**

(51) **LOC (13) Cl.** **21-01**

(52) **U.S. Cl.**
USPC **D21/578; D21/576**

(58) **Field of Classification Search**
USPC D21/578; D15/199
CPC B25J 5/007
See application file for complete search history.

(56) **References Cited**

U.S. PATENT DOCUMENTS

D635,603 S *	4/2011	Paz Rodriguez	D15/199
D710,953 S *	8/2014	Katsutani	D15/199
D811,492 S *	2/2018	Rehkemper	D15/199
D825,010 S *	8/2018	Osentoski	D15/199
D843,498 S *	3/2019	Clerc	D15/199
D892,233 S *	8/2020	Miao	D14/207
D943,685 S *	2/2022	Chen	D21/578
2012/0209433 A1 *	8/2012	Paz Rodriguez	B25J 11/0005 901/1

OTHER PUBLICATIONS

Amazon Website, MiP Arcade—Interactive Self-Balancing Robot, Earliest Comment Date Oct. 21, 2020, [Website Visited on May 26, 2022], Available on the internet URL <https://www.amazon.com/WowWee-MiP-Arcade-Interactive-Robot/dp/B084TQJ48C> (Year: 2020).*

Amazon Website, GILOBABY Kids Robot Toy, Interactive Smart Talking Robot with Voice Controlled Touch Sensor Speech Recognition, Earliest Comment Date Feb. 27, 2019, [Website Visited on May 26, 2022], Available on the internet URL <https://www.amazon.com/Interactive-Controlled-Repeating-Recognition-Recording> (Year: 2019).*

(Continued)

Primary Examiner — S. Bryan Reinholdt, Jr.
Assistant Examiner — James T. Tyree
(74) *Attorney, Agent, or Firm* — Avyno Law P.C.

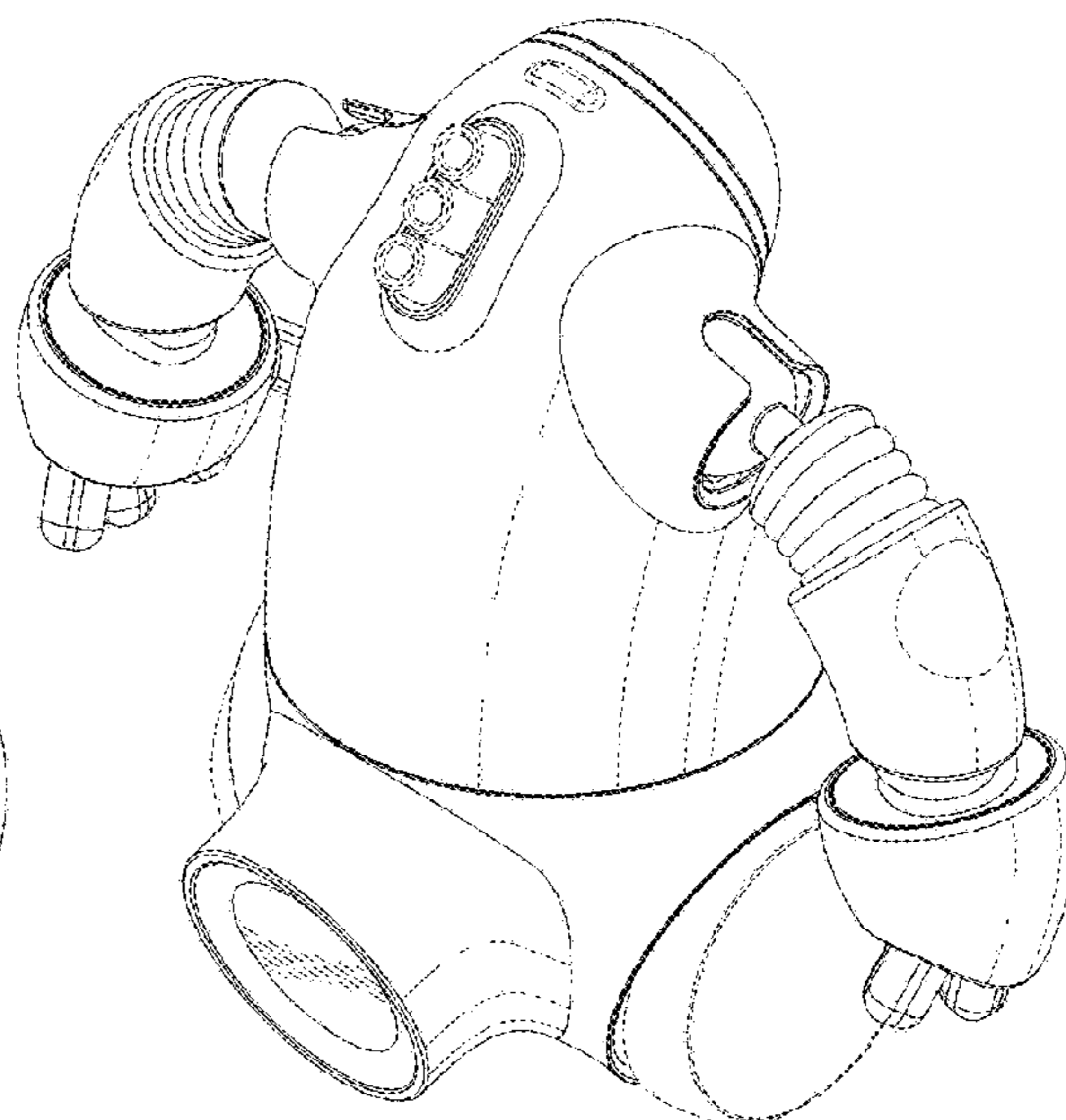
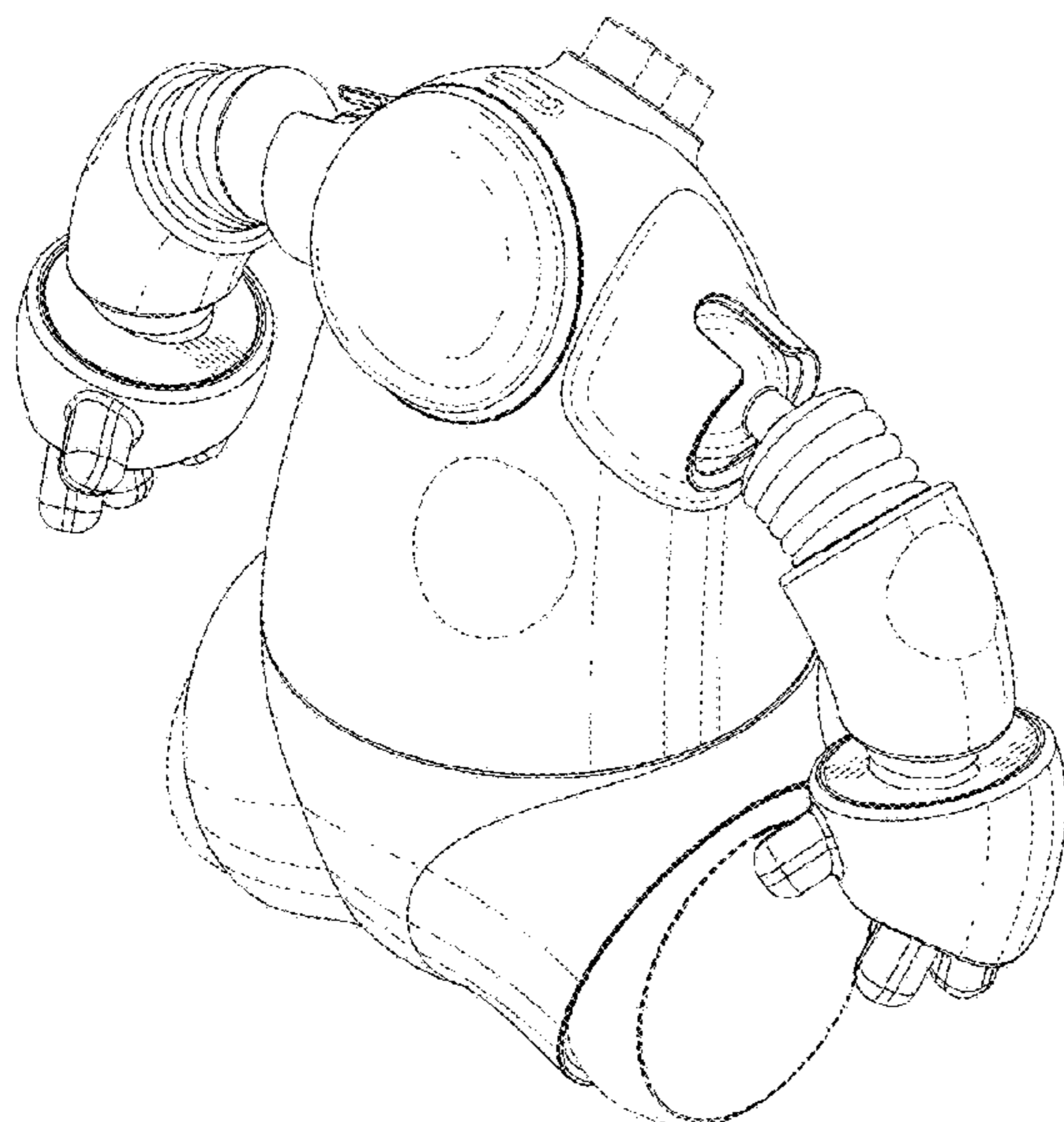
(57) **CLAIM**

I claim the ornamental design for a toy combat robot, as shown and described.

DESCRIPTION

FIG. 1 is a top, front perspective view of a toy combat robot showing my new design.
FIG. 2 is a top, rear perspective view of the toy combat robot of FIG. 1.
FIG. 3 is a bottom, rear perspective view of the toy combat robot of FIG. 1.
FIG. 4 is a front elevation view of the toy combat robot of FIG. 1.
FIG. 5 is a rear elevation view of the toy combat robot of FIG. 1.
FIG. 6 is a side elevation view of the right side of the toy combat robot of FIG. 1.
FIG. 7 is a side elevation view of the left side of the toy combat robot of FIG. 1.
FIG. 8 is a top plan view of the toy combat robot of FIG. 1; and,
FIG. 9 is a bottom plan view of the toy combat robot of FIG. 1.
In the drawings, the broken lines depict portions of the toy combat robot that form no part of the claimed design.

1 Claim, 8 Drawing Sheets



(56)

References Cited

OTHER PUBLICATIONS

Amazon Website, Kid Robot Toys for Boys Girls,Dancing Singing Walking Talking Sliding Robot with Colorful LED and Spray, Earliest Comment Date Oct. 7, 2021, [Website Visited on May 26, 2022], Available on the internet URL <https://www.amazon.com/Kid-Robot-Toys-Boys-Girls/dp/B09CTNM121> (Year: 2021).*

* cited by examiner

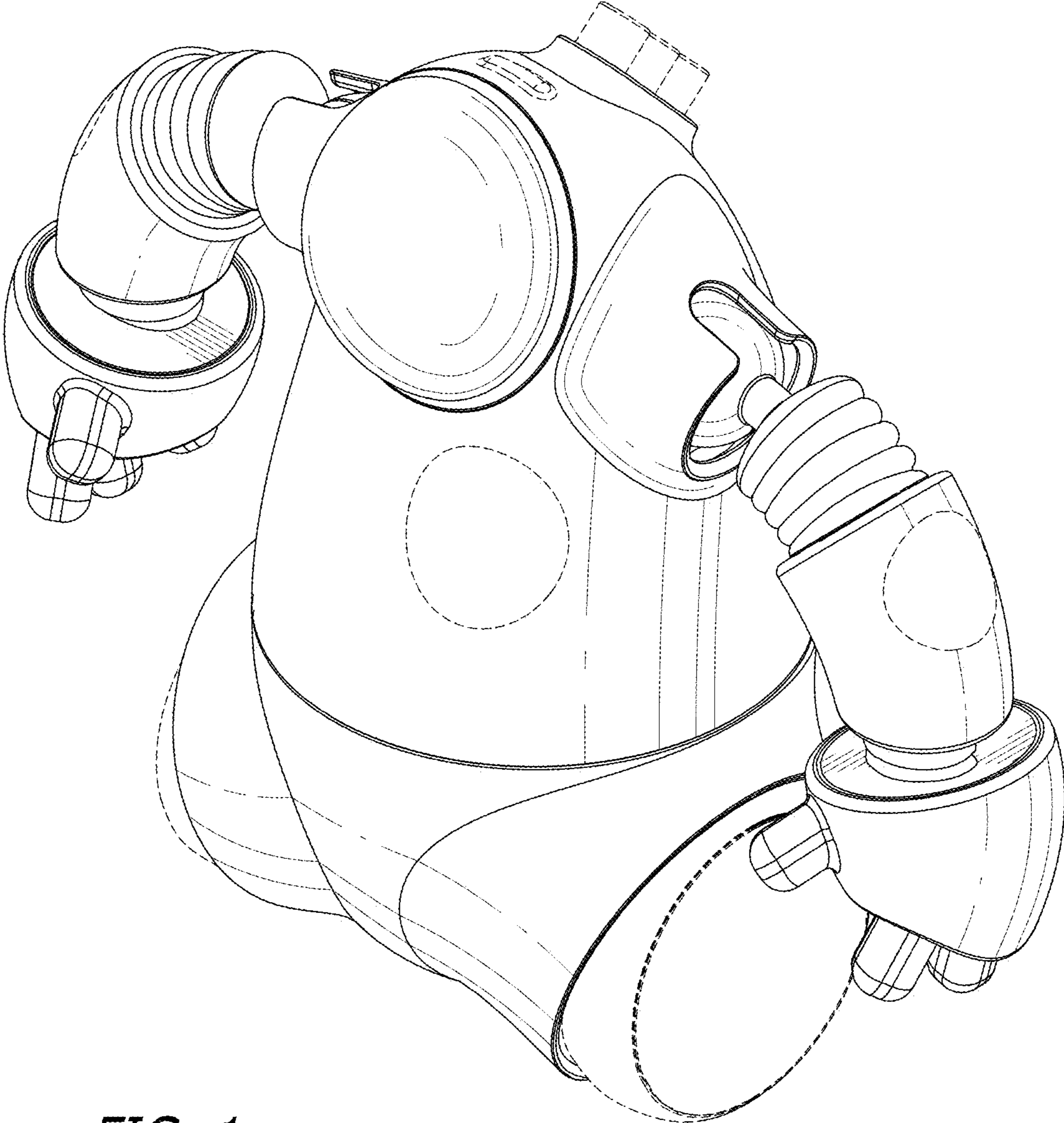


FIG. 1

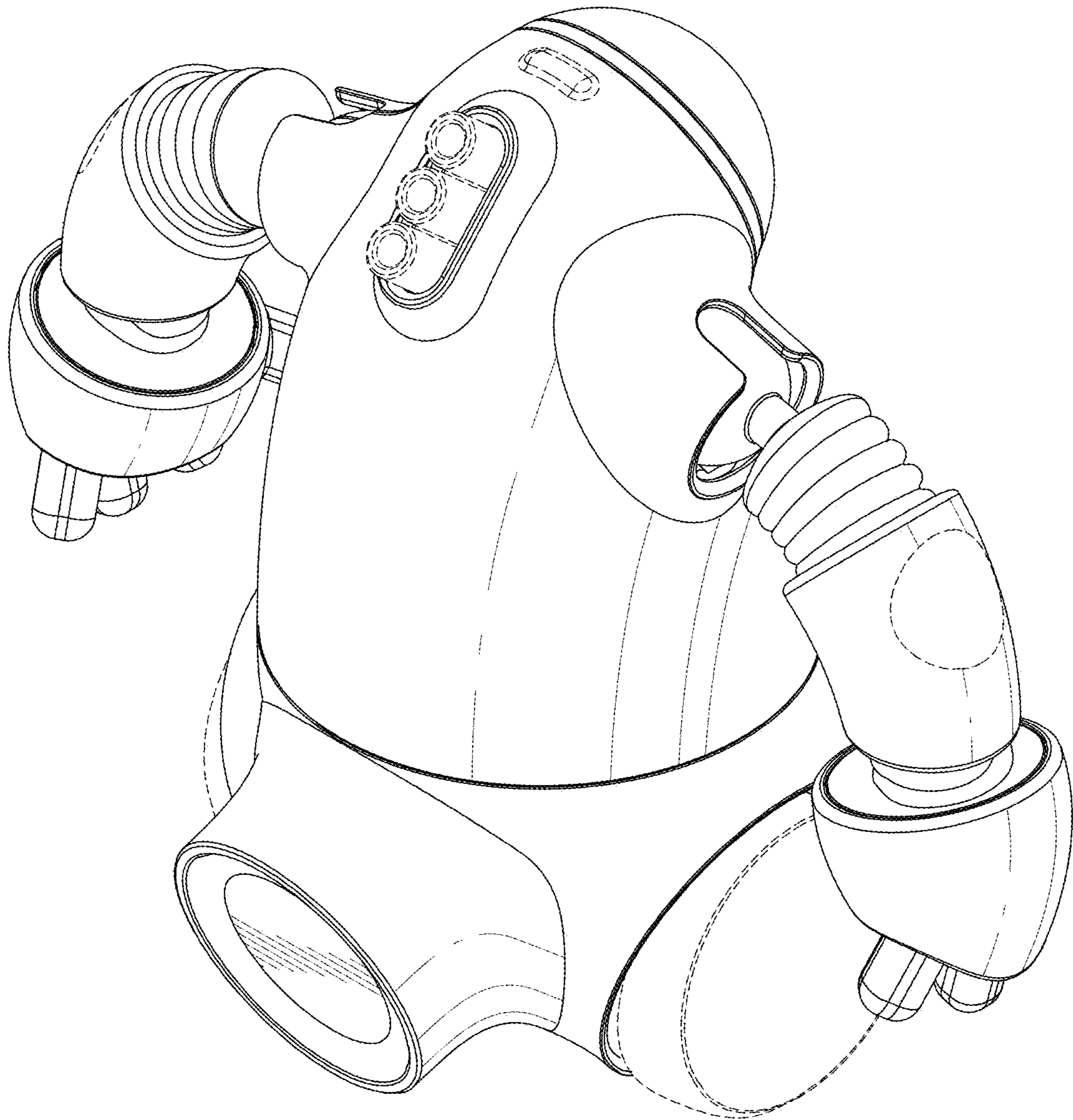


FIG. 2

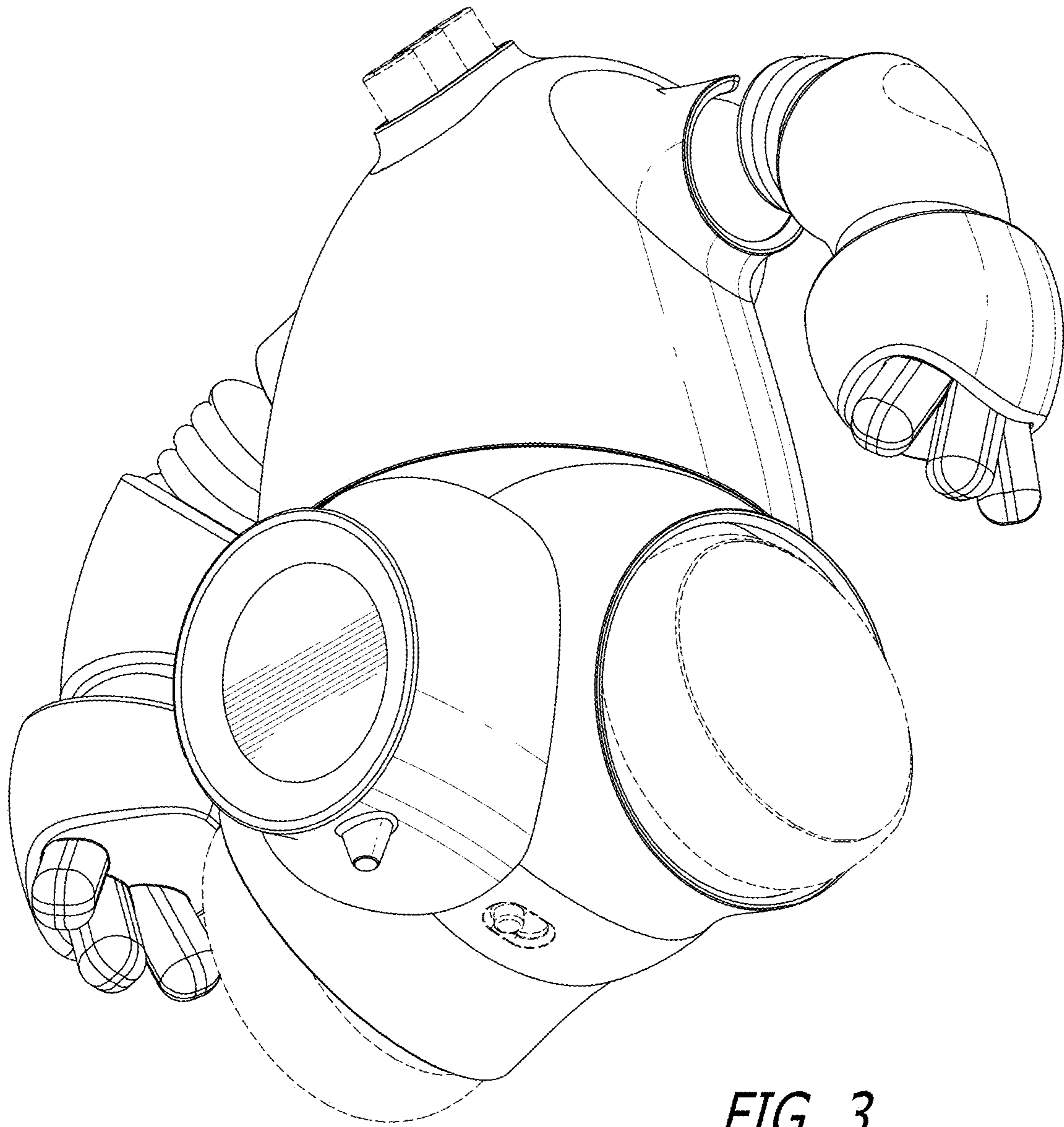


FIG. 3

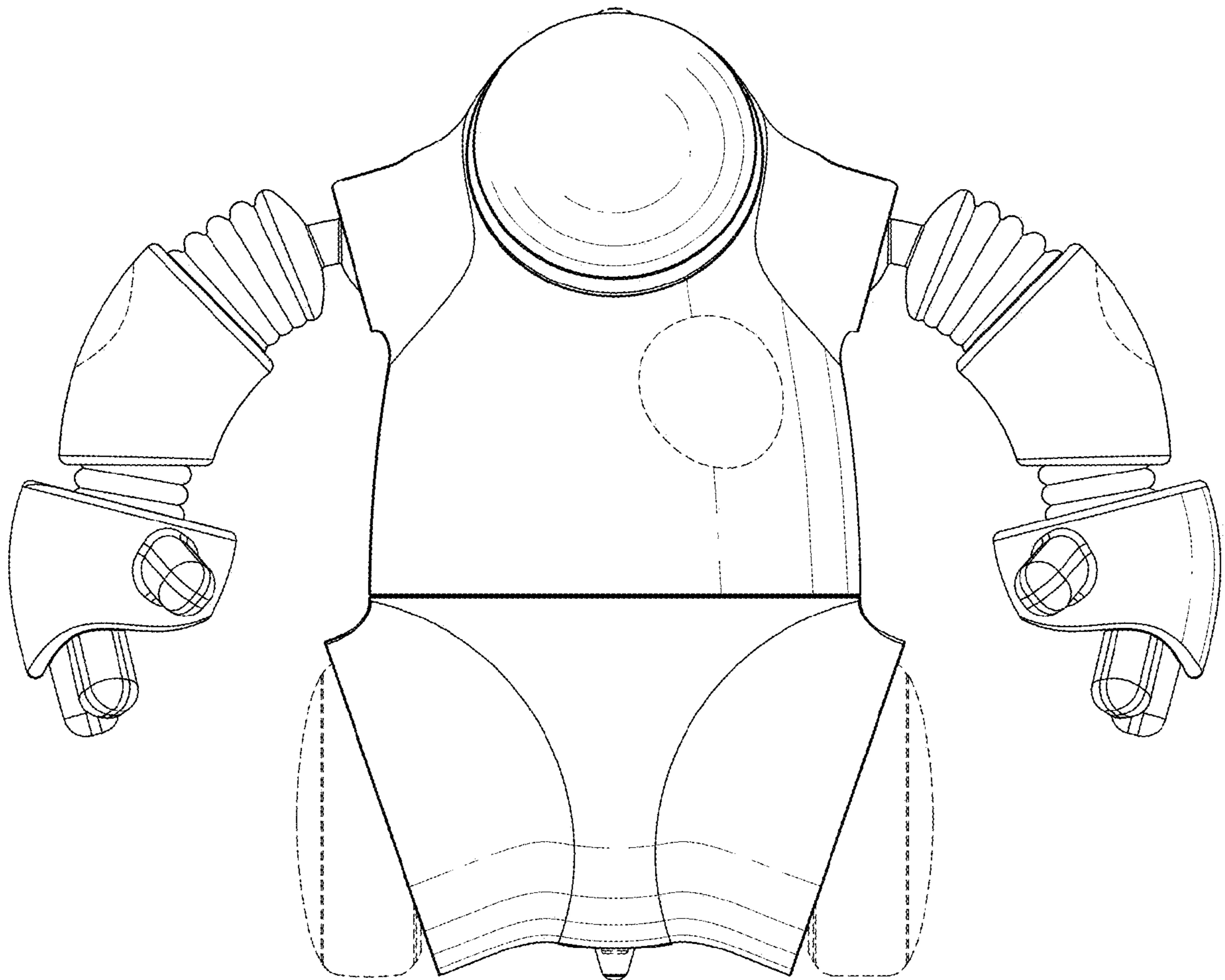


FIG. 4

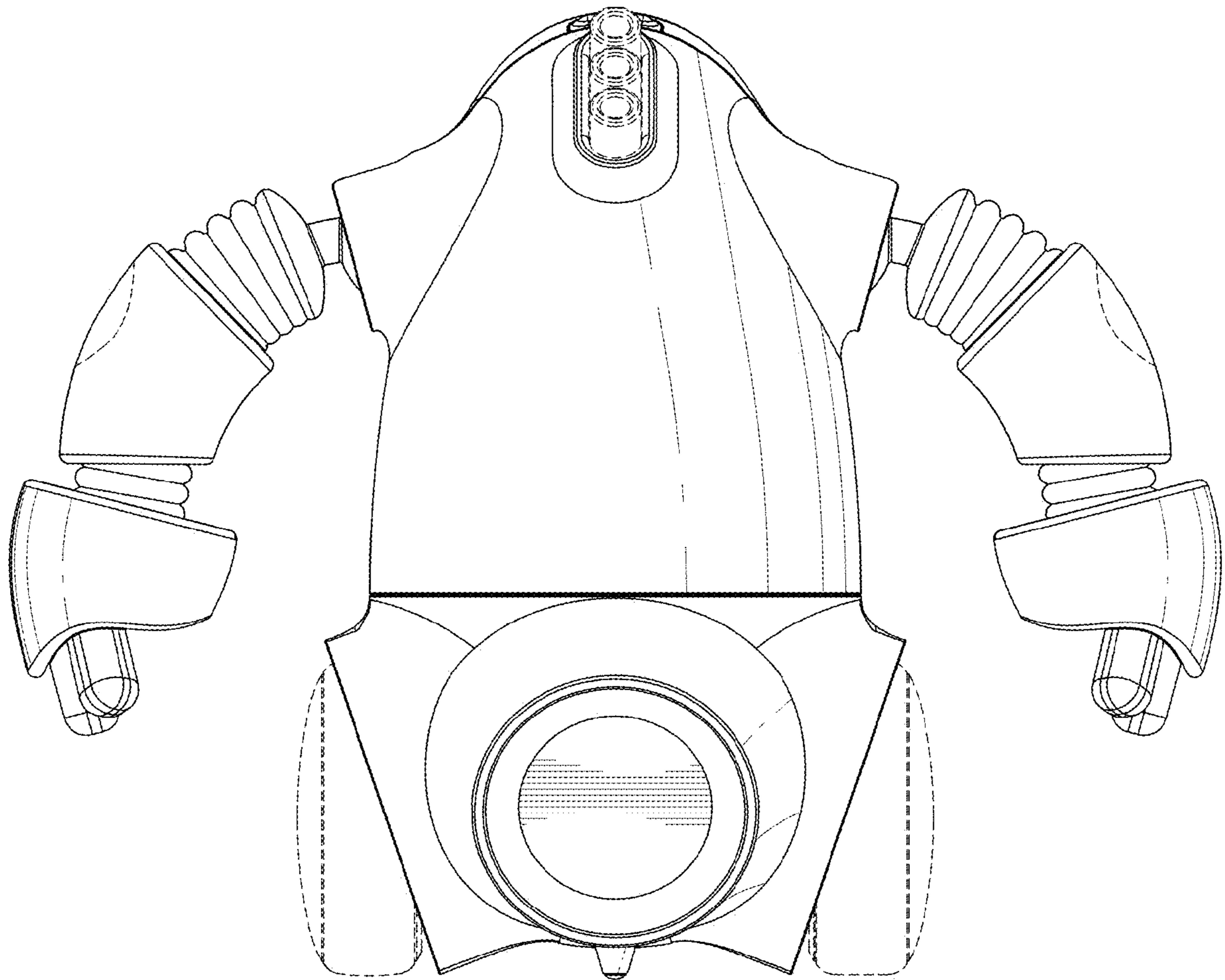


FIG. 5

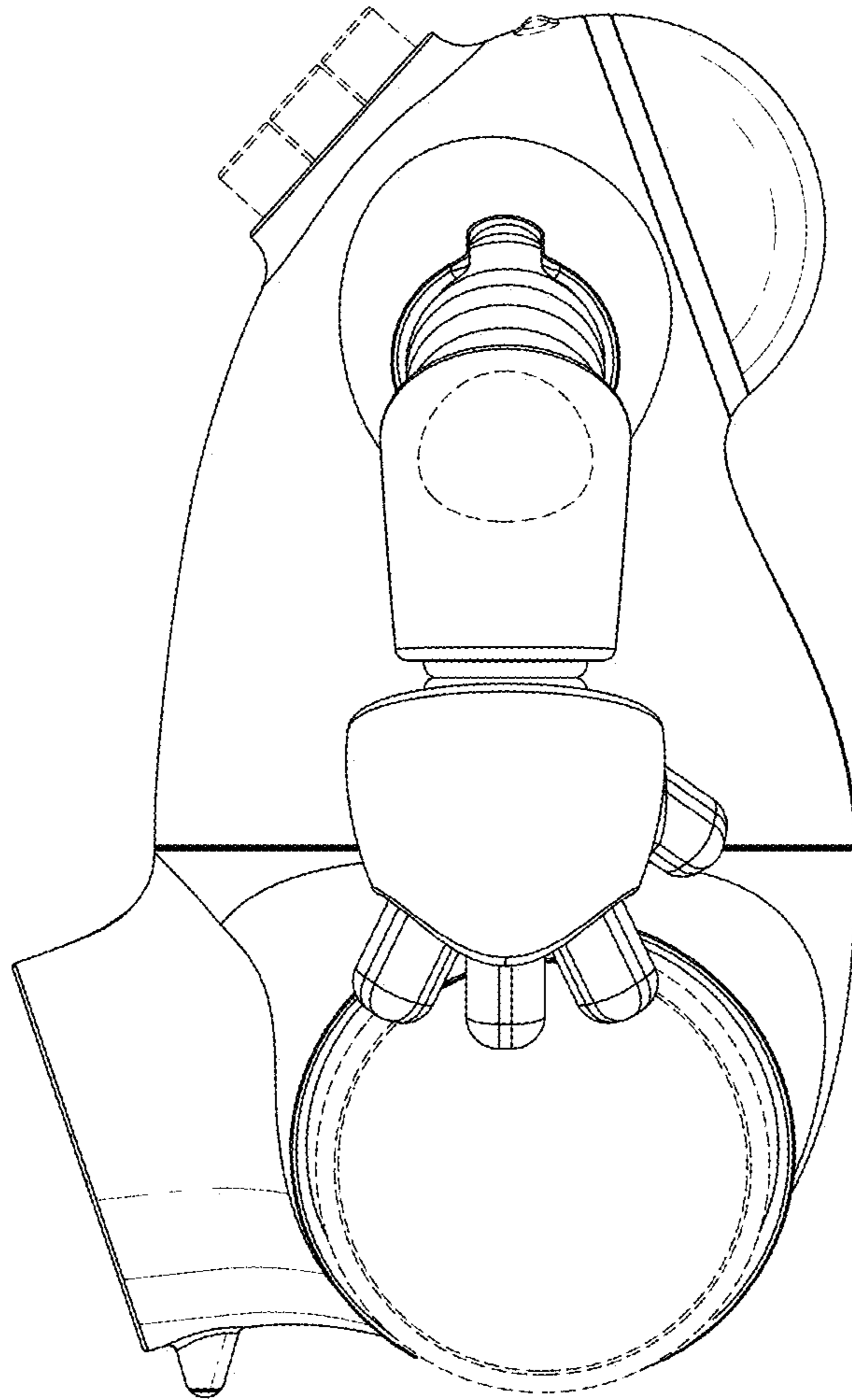


FIG. 6

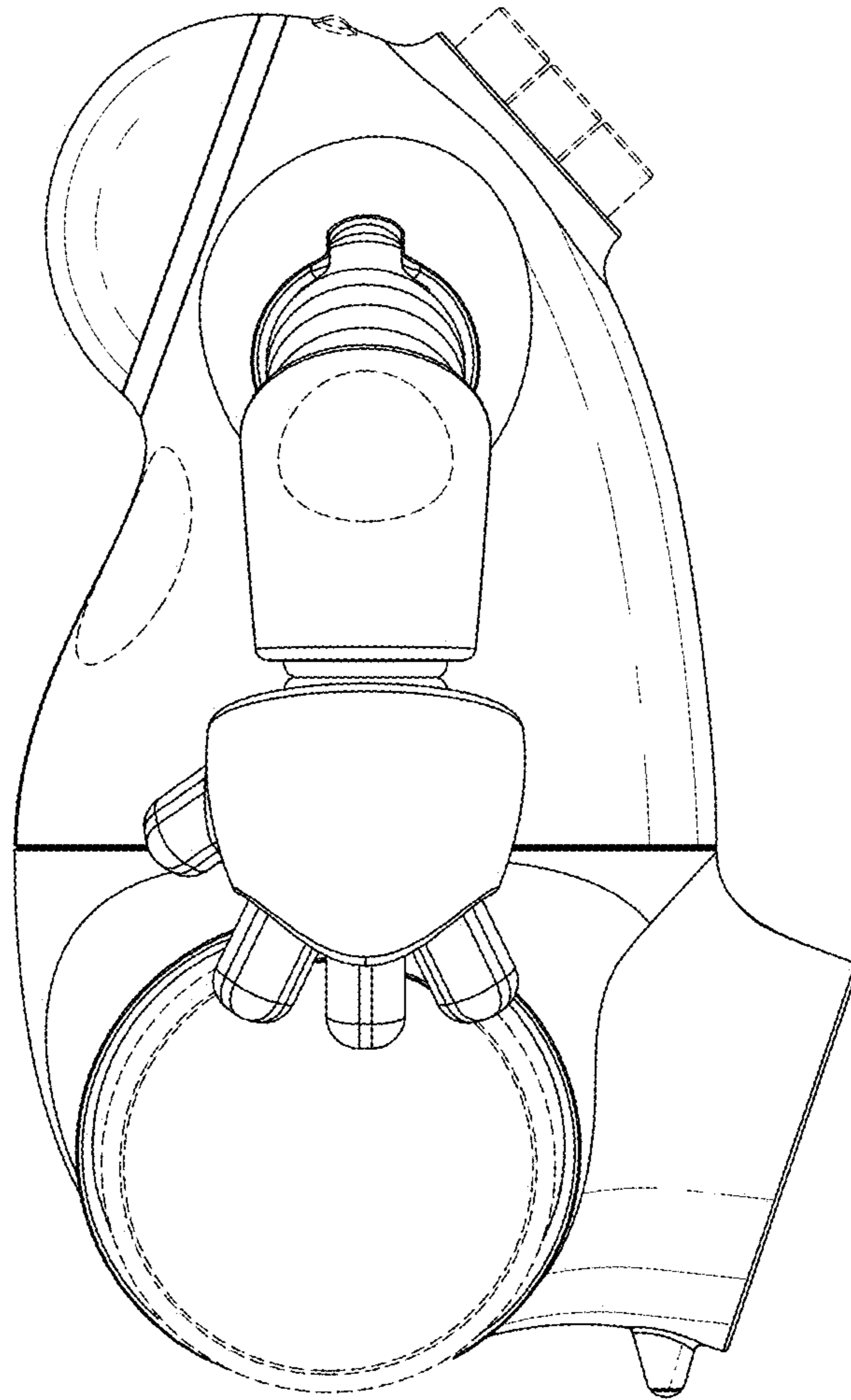


FIG. 7

FIG. 8

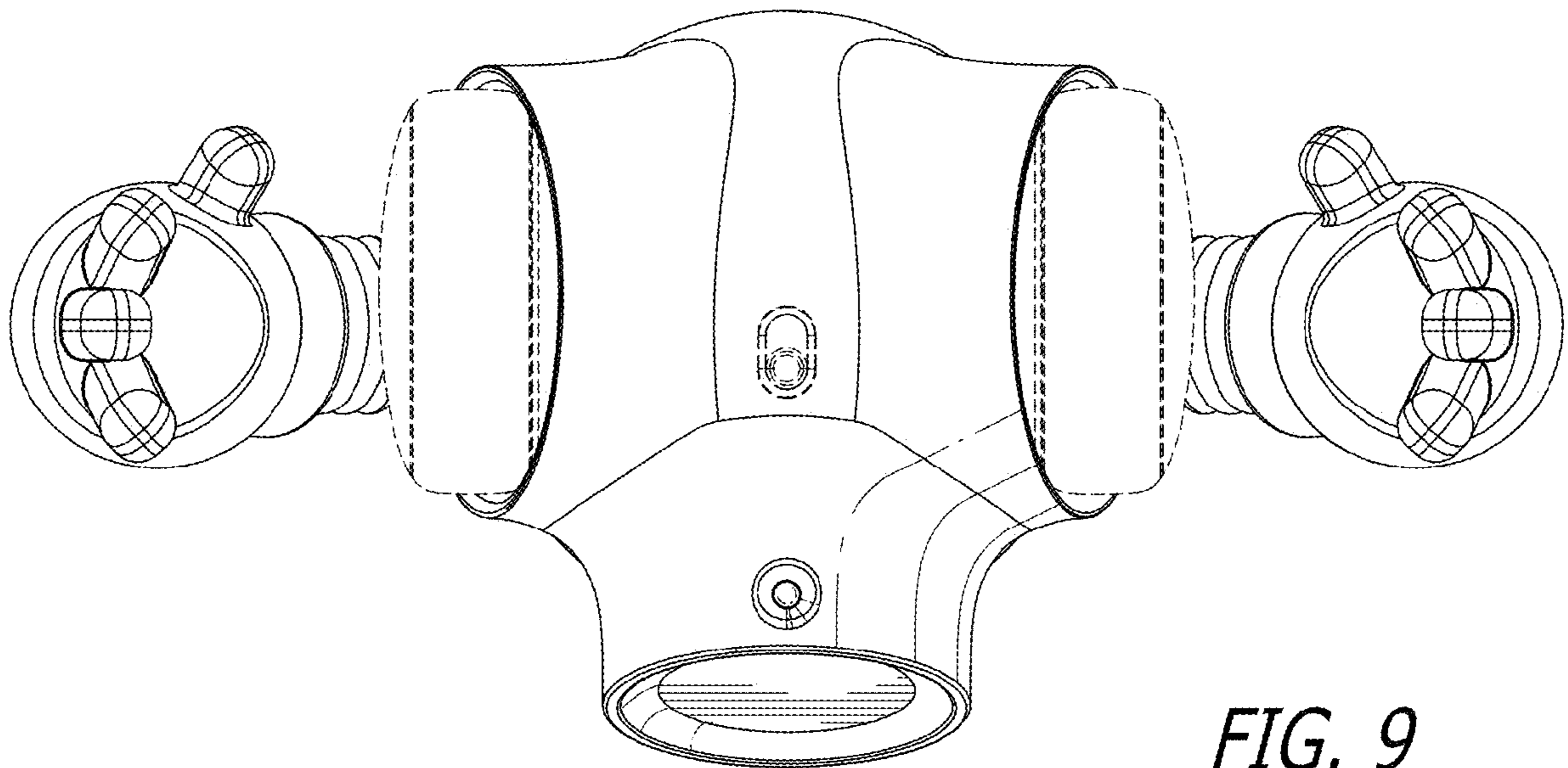
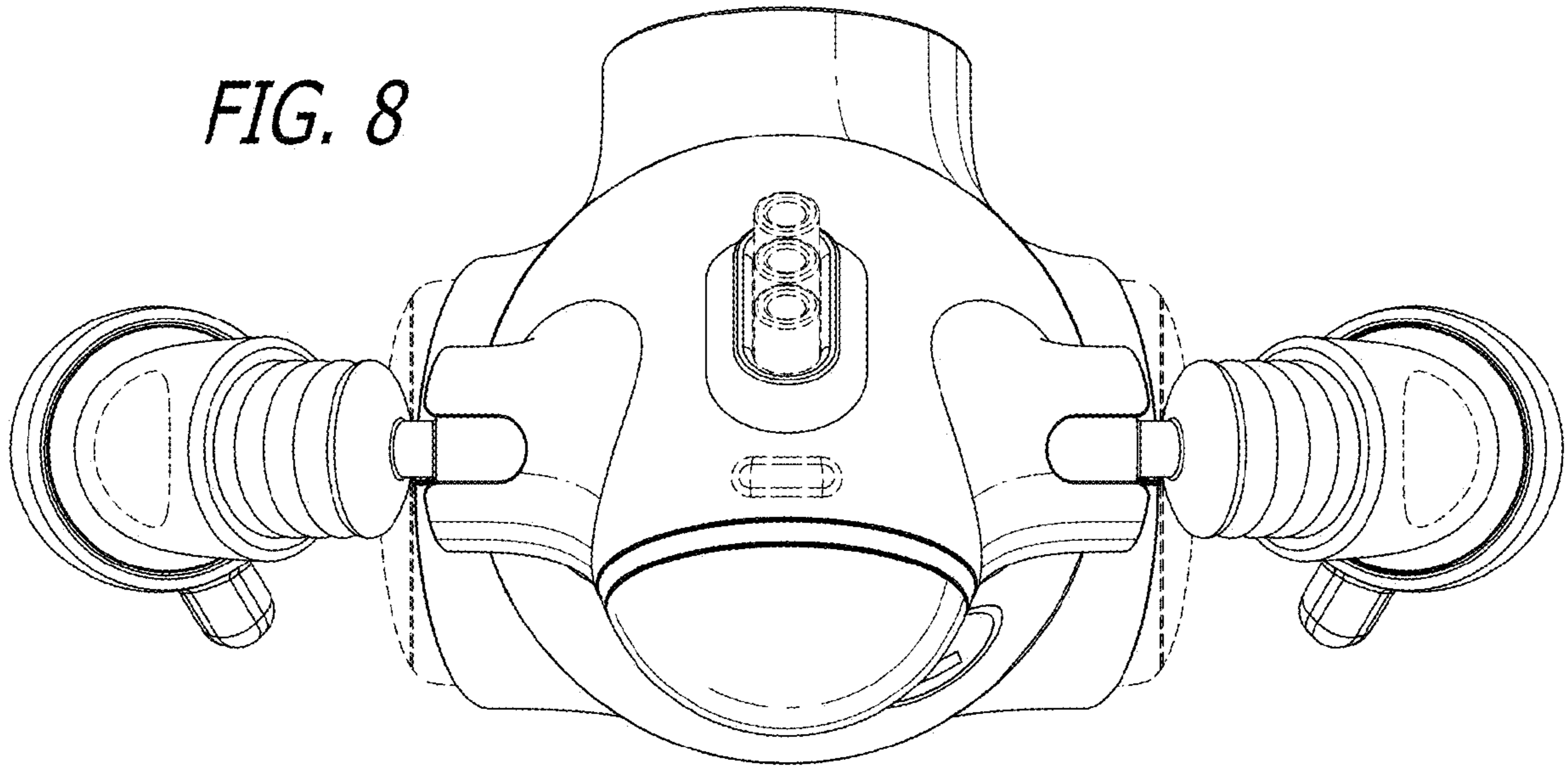


FIG. 9