



US00D972658S

(12) **United States Design Patent** (10) **Patent No.:** **US D972,658 S**
Kim et al. (45) **Date of Patent:** **** Dec. 13, 2022**

(54) **CONTROLLER**

(71) Applicant: **SZ DJI Technology Co., Ltd.**,
Shenzhen (CN)

(72) Inventors: **Min Kim**, Shenzhen (CN); **Haibin Zheng**, Shenzhen (CN)

(73) Assignee: **SZ DJI Technology Co., Ltd.**,
Shenzhen (CN)

(**) Term: **15 Years**

(21) Appl. No.: **29/661,496**

(22) Filed: **Aug. 28, 2018**

Related U.S. Application Data

(63) Continuation of application No. 29/564,618, filed on May 13, 2016, now Pat. No. Des. 839,968.

(51) **LOC (13) Cl.** **21-01**

(52) **U.S. Cl.**
USPC **D21/566**

(58) **Field of Classification Search**
USPC D14/218, 349, 401, 480.5; D13/168,
D13/173, 162, 162.1, 166, 171, 174;
D21/133, 566

CPC H03J 1/0025; H03J 9/00; H03J 9/02; H03J
9/04; H03J 9/06; H04B 1/202; G05B
11/01; A63H 17/262; A63H 30/04; A63H
29/00; A63F 13/06

See application file for complete search history.

(56) **References Cited**

U.S. PATENT DOCUMENTS

D381,961 S 8/1997 Watanabe et al.
D435,552 S 12/2000 Dougan et al.
D478,590 S 8/2003 Hussaini et al.
D494,156 S 8/2004 Chen et al.
D504,430 S 4/2005 Takahashi et al.

D519,118 S 4/2006 Woodward
D543,952 S 6/2007 Wu et al.
D546,904 S 7/2007 Bowen et al.
D582,308 S 12/2008 Kajita
D605,237 S 12/2009 Uemura et al.
D631,922 S 2/2011 Kang
D666,250 S * 8/2012 Fulghum D21/333
D703,764 S 4/2014 Griffith
D707,758 S 6/2014 Norman et al.
D711,878 S 8/2014 Bellinghausen et al.
D712,982 S 9/2014 Barajas et al.

(Continued)

FOREIGN PATENT DOCUMENTS

CN 300936145 6/2009
CN 301012935 9/2009

(Continued)

Primary Examiner — Cynthia M. Chin

(74) *Attorney, Agent, or Firm* — Sterne, Kessler,
Goldstein & Fox P.L.L.C.

(57) **CLAIM**

The ornamental design for a controller, as shown and described.

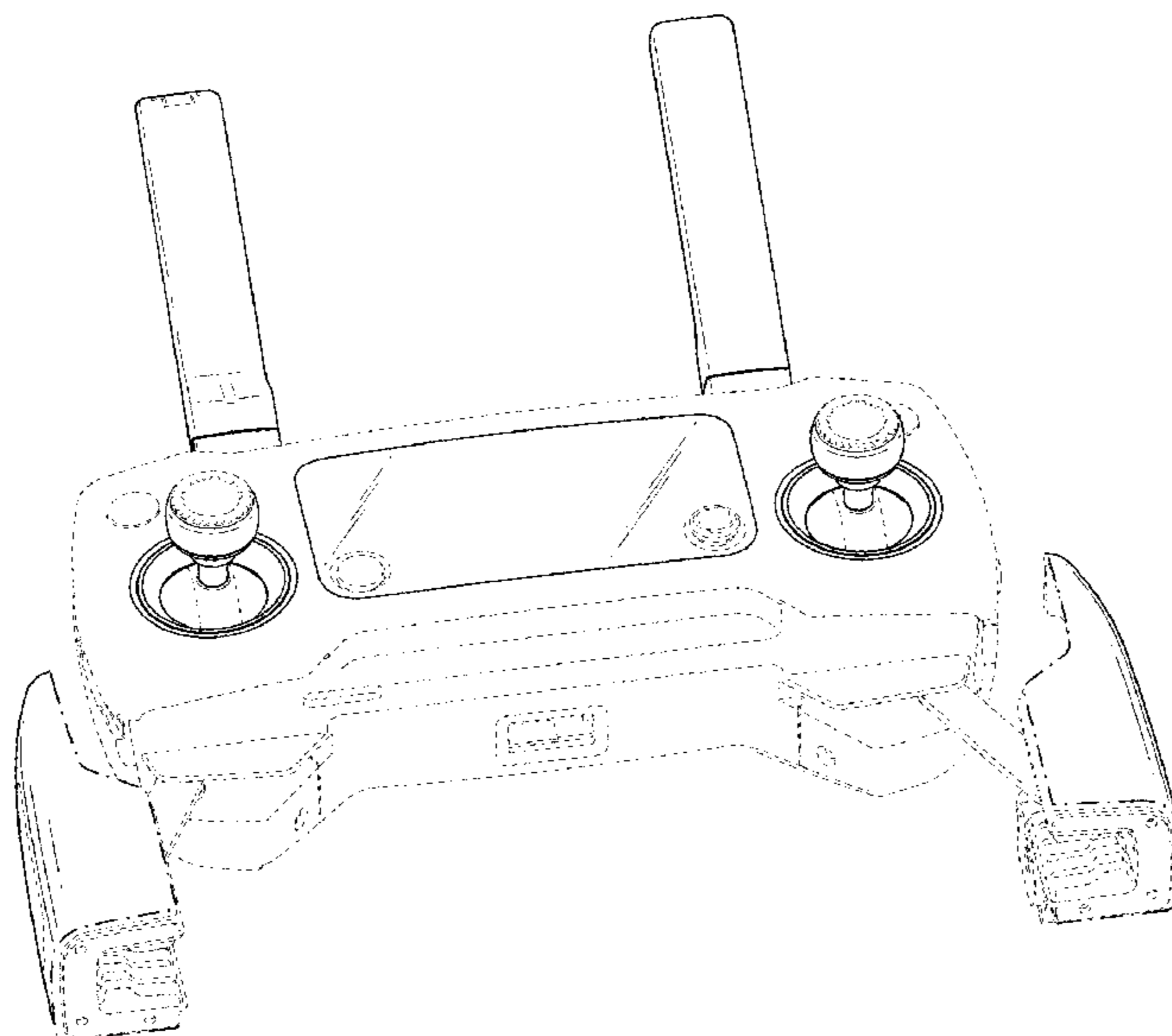
DESCRIPTION

FIG. 1 is a bottom front perspective view of a controller showing the claimed design;
FIG. 2 is a front view thereof;
FIG. 3 is a rear view thereof;
FIG. 4 is a right side view thereof;
FIG. 5 is a left side view thereof;
FIG. 6 is a top view thereof; and,
FIG. 7 is a bottom view thereof.

The dashed broken lines in the figures show portions of the controller that form no part of the claimed design.

The dot-dash broken lines immediately adjacent the shaded areas show boundaries of the claimed design that form no part of the claimed design.

1 Claim, 5 Drawing Sheets



(56)

References Cited

U.S. PATENT DOCUMENTS

D713,467 S 9/2014 Sawhney et al.
 D713,468 S 9/2014 Sawhney et al.
 D723,032 S 2/2015 Schoenith et al.
 D723,705 S 3/2015 Mininger et al.
 D735,721 S 8/2015 Mar
 D737,273 S 8/2015 Schoenith et al.
 D740,708 S 10/2015 Pecorari
 D744,596 S 12/2015 Young et al.
 D749,527 S 2/2016 Li
 D774,933 S 12/2016 Pecorari et al.
 D778,265 S 2/2017 Parfitt
 D781,208 S 3/2017 Li
 D782,581 S 3/2017 Barajas et al.
 D783,097 S 4/2017 Sanlaville et al.
 D784,989 S 4/2017 Kujawski et al.
 D794,717 S 8/2017 Kujawski et al.
 D799,599 S 10/2017 Kujawski et al.
 D803,837 S 11/2017 Kumar
 D823,945 S 7/2018 Falc et al.
 D823,949 S * 7/2018 Lu D21/566
 D828,463 S 9/2018 Xiao
 10,194,541 B2 * 1/2019 Deng H05K 5/0017
 D839,968 S * 2/2019 Kim D21/566
 D839,969 S * 2/2019 Kim D21/566
 D844,073 S * 3/2019 Kim D21/566

D844,716 S * 4/2019 Gan D21/566
 D851,710 S * 6/2019 Zhou D21/566
 D864,312 S * 10/2019 Kim D21/566
 D885,497 S * 5/2020 Miller D21/566
 D898,130 S * 10/2020 Zhou D21/566
 2018/0375977 A1 * 12/2018 Deng A63F 13/26
 2019/0113947 A1 * 4/2019 Liang G05G 9/047
 2020/0197826 A1 * 6/2020 Zhang A63F 13/24
 2020/0333823 A1 * 10/2020 Liang G08C 17/02

FOREIGN PATENT DOCUMENTS

CN 301996446 S 7/2012
 CN 302063804 S 9/2012
 CN 302190300 S 11/2012
 CN 302497878 S 7/2013
 CN 302560845 S 9/2013
 CN 302641200 S 11/2013
 CN 302993345 S 11/2014
 CN 303000243 S 11/2014
 CN 303082699 S 1/2015
 CN 303329717 S 8/2015
 CN 303348016 S 8/2015
 CN 303532139 S 12/2015
 CN 303542402 S 1/2016
 CN 303655383 S 4/2016

* cited by examiner

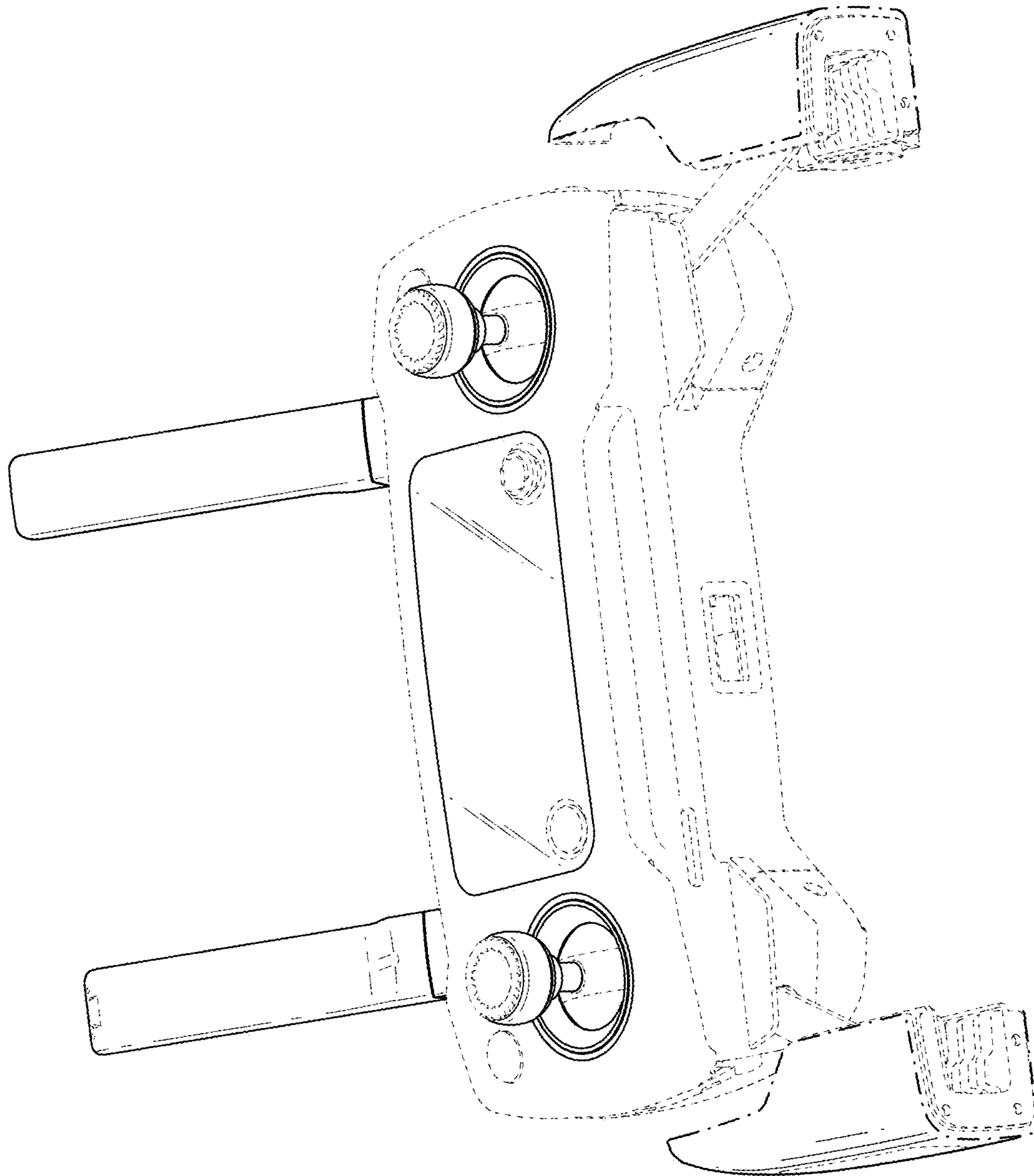


FIG. 1

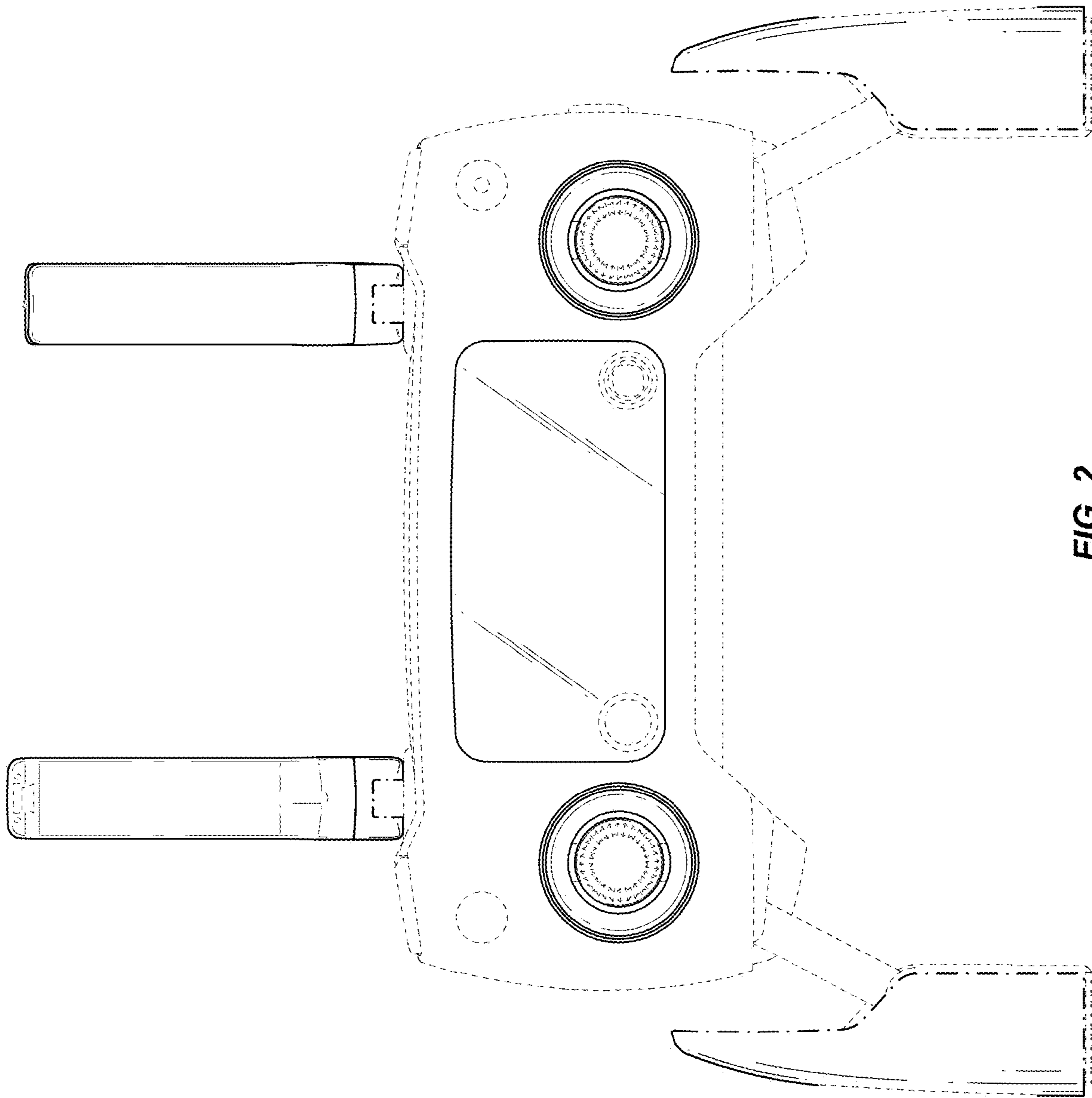


FIG. 2

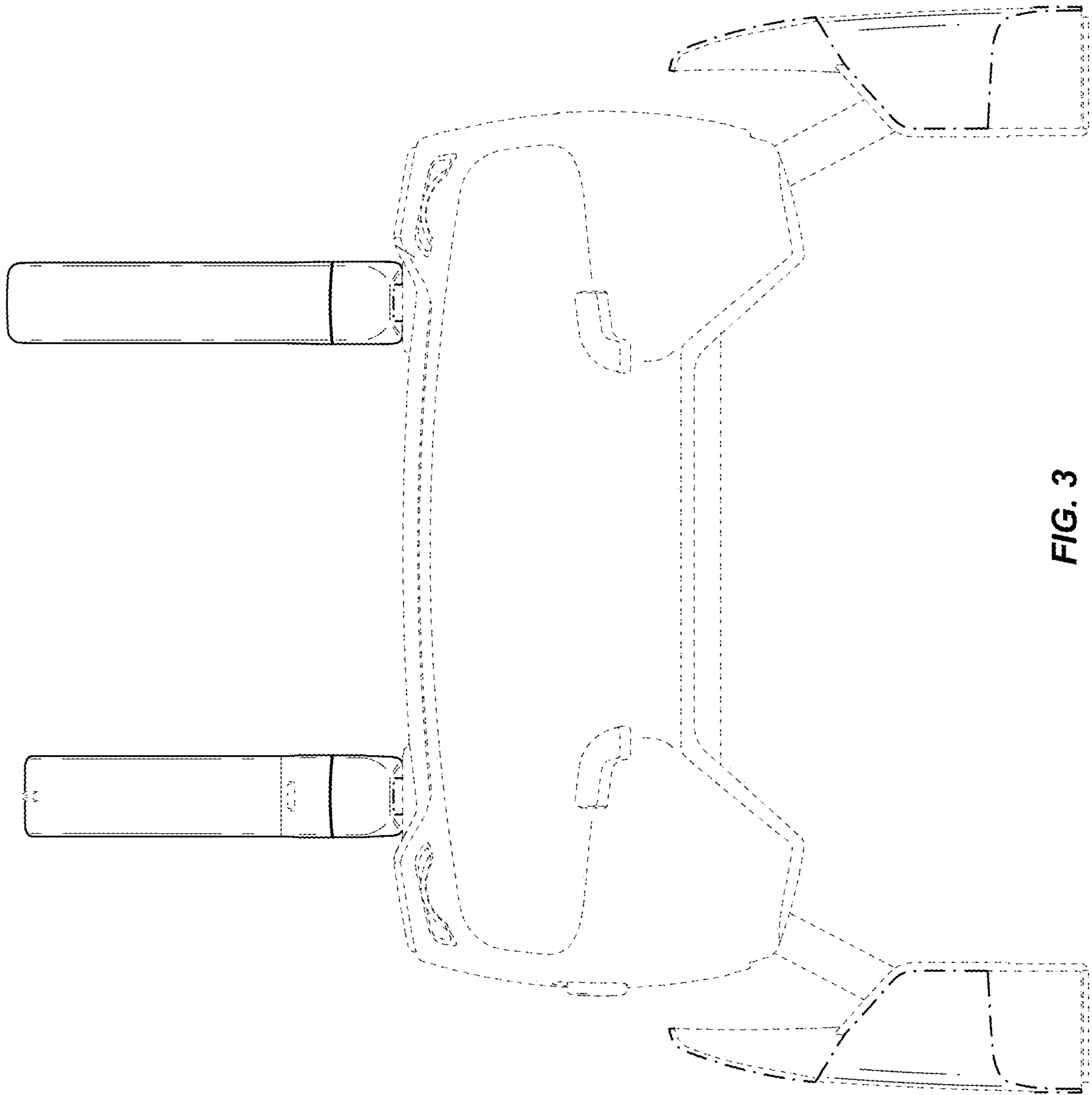


FIG. 3

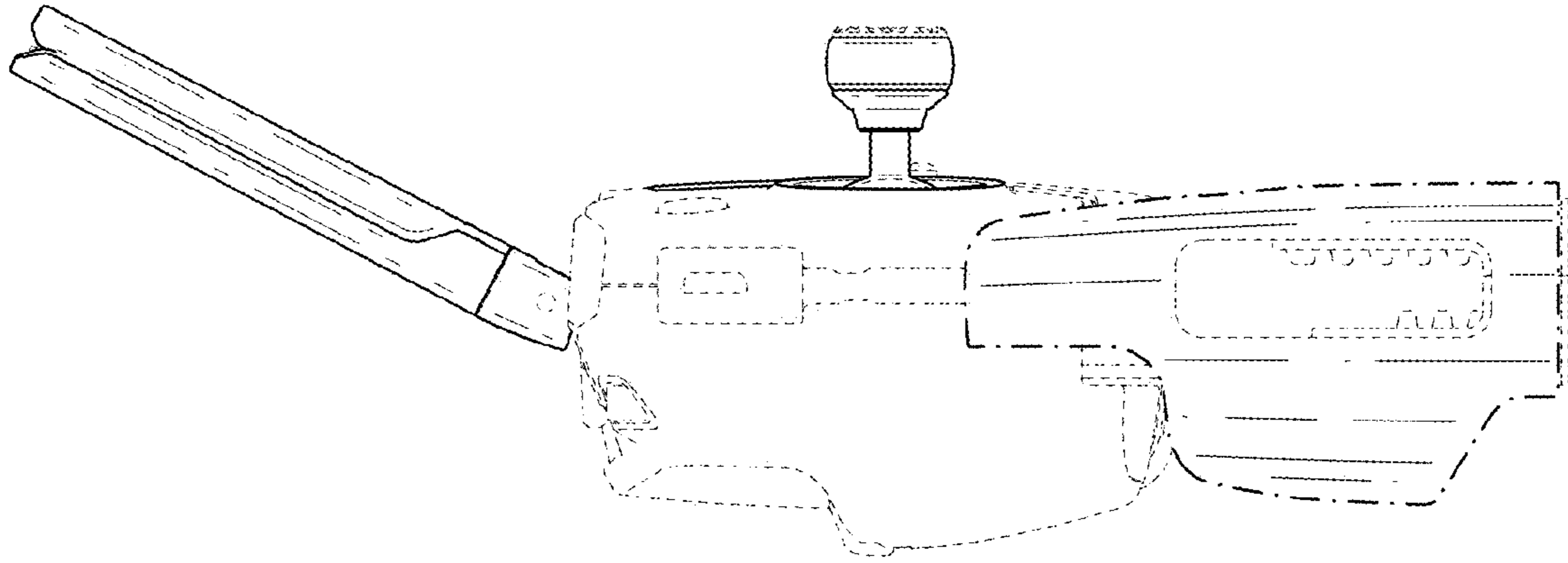


FIG. 5

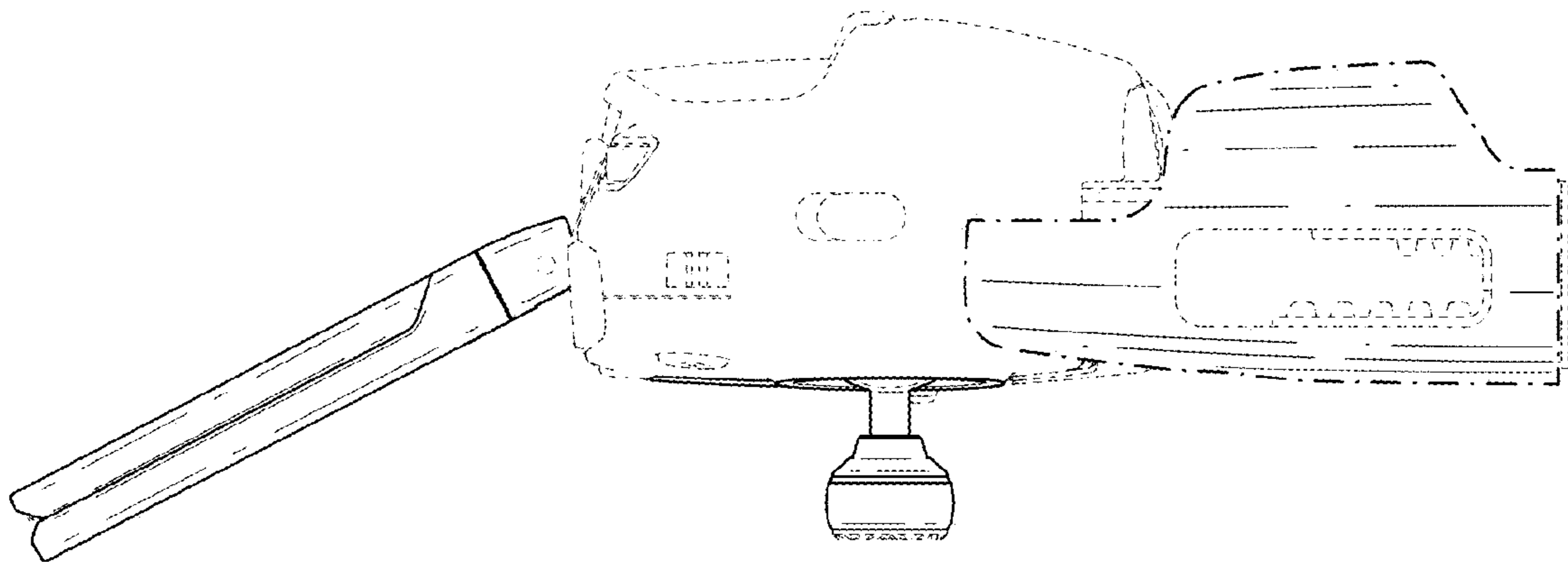


FIG. 4

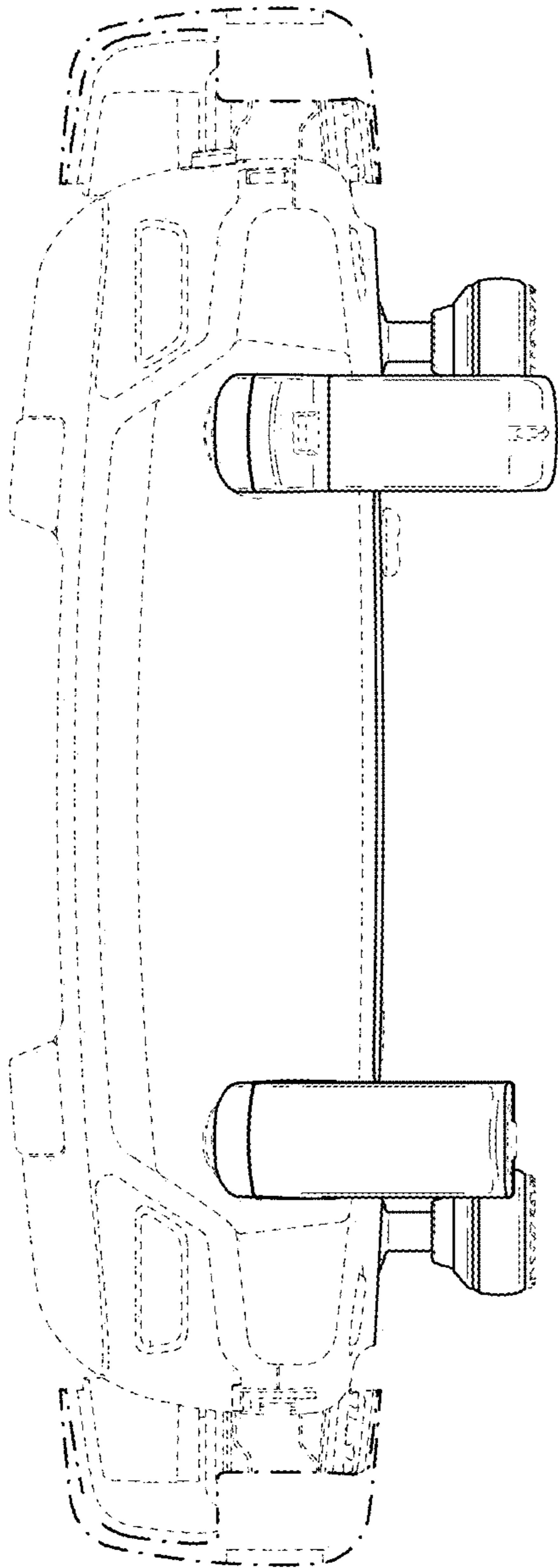


FIG. 6

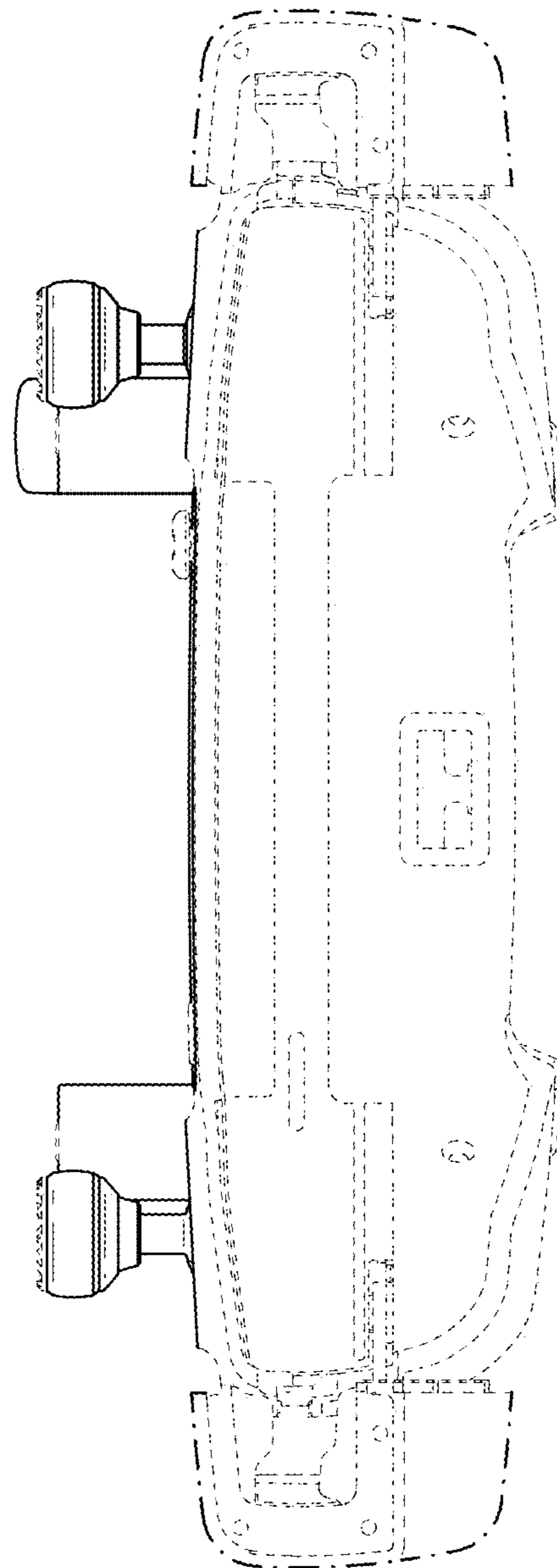


FIG. 7