

US00D972657S

(12) **United States Design Patent** (10) **Patent No.:** **US D972,657 S**  
**Lin** (45) **Date of Patent:** **\*\* Dec. 13, 2022**

(54) **TOY TRUCK**

(71) Applicant: **Huanrong Lin**, Shantou (CN)

(72) Inventor: **Huanrong Lin**, Shantou (CN)

(\*\*) Term: **15 Years**

(21) Appl. No.: **29/839,707**

(22) Filed: **May 24, 2022**

(30) **Foreign Application Priority Data**

Apr. 14, 2022 (CN) ..... 202230209961.9

(51) **LOC (13) Cl.** ..... **21-01**

(52) **U.S. Cl.**  
USPC ..... **D21/560; D21/615**

(58) **Field of Classification Search**  
USPC ..... D21/433, 434, 552, 556, 557, 558, 559,  
D21/560, 561, 580, 581, 615  
CPC ..... A63H 17/00; A63H 17/004; A63H 17/05;  
A63H 17/06  
See application file for complete search history.

(56) **References Cited**

**U.S. PATENT DOCUMENTS**

D246,772 S \* 12/1977 Brubaker ..... D12/1  
D326,490 S \* 5/1992 Aker ..... D21/552  
5,334,078 A \* 8/1994 Hippely ..... A63H 17/26  
446/470  
D379,481 S \* 5/1997 Johnson ..... D21/558  
D407,898 S \* 4/1999 Pulvino ..... D21/615  
D460,500 S \* 7/2002 Berger ..... D21/558  
D489,776 S \* 5/2004 Hoeting ..... D21/558  
D567,885 S \* 4/2008 Amadio ..... D21/559  
D924,986 S \* 7/2021 Wood ..... D21/434

D931,383 S 9/2021 Chen  
D936,157 S 11/2021 Lee  
D939,030 S 12/2021 Ye  
D952,057 S \* 5/2022 Chen ..... D21/615  
11,325,050 B2 \* 5/2022 Womack ..... A63H 17/05  
2022/0219095 A1 \* 7/2022 Hwang ..... A63H 17/002

**OTHER PUBLICATIONS**

Dinosaur Truck Carrier, Reviewed and online as early as May 25, 2021 [online], [site visited Aug. 27, 2022]. Available from <https://amazon.com/dp/B07GNR98J9/> (Year: 2021).\*

\* cited by examiner

*Primary Examiner* — Cynthia M. Chin

(74) *Attorney, Agent, or Firm* — Rumit Ranjit Kanakia

(57) **CLAIM**

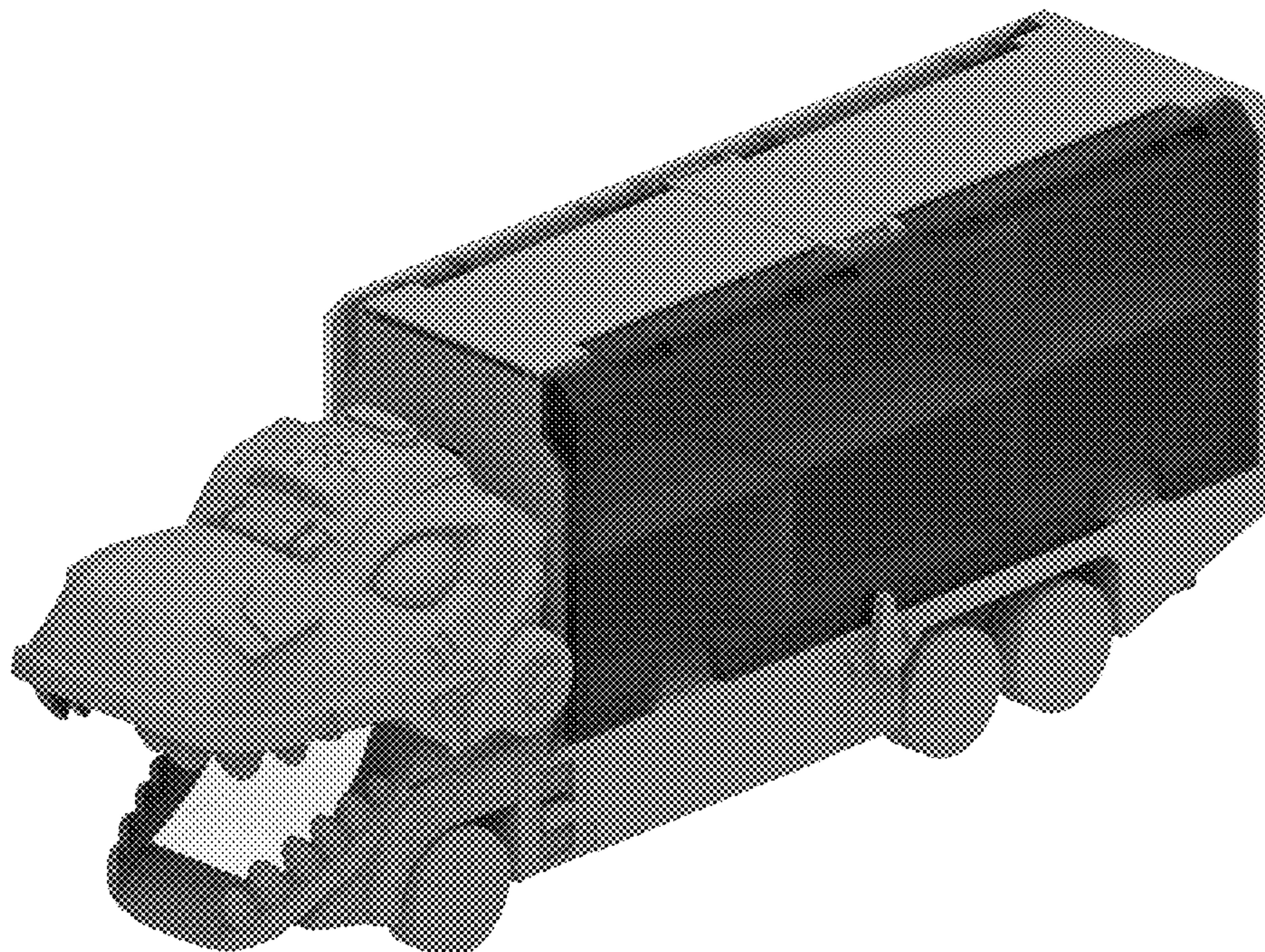
The ornamental design for a toy truck, as shown and described.

**DESCRIPTION**

FIG. 1 is a first perspective view of a toy truck showing my new design;  
FIG. 2 is a second perspective view thereof;  
FIG. 3 is a front view thereof;  
FIG. 4 is a back view thereof;  
FIG. 5 is a left side view thereof;  
FIG. 6 is a right side view thereof;  
FIG. 7 is a top view thereof;  
FIG. 8 is a bottom view thereof; and,  
FIG. 9 is a perspective view of another state of the toy truck thereof.

The broken lines shown in the drawings depict portions of the toy truck that form no part of the claimed design.

**1 Claim, 9 Drawing Sheets**





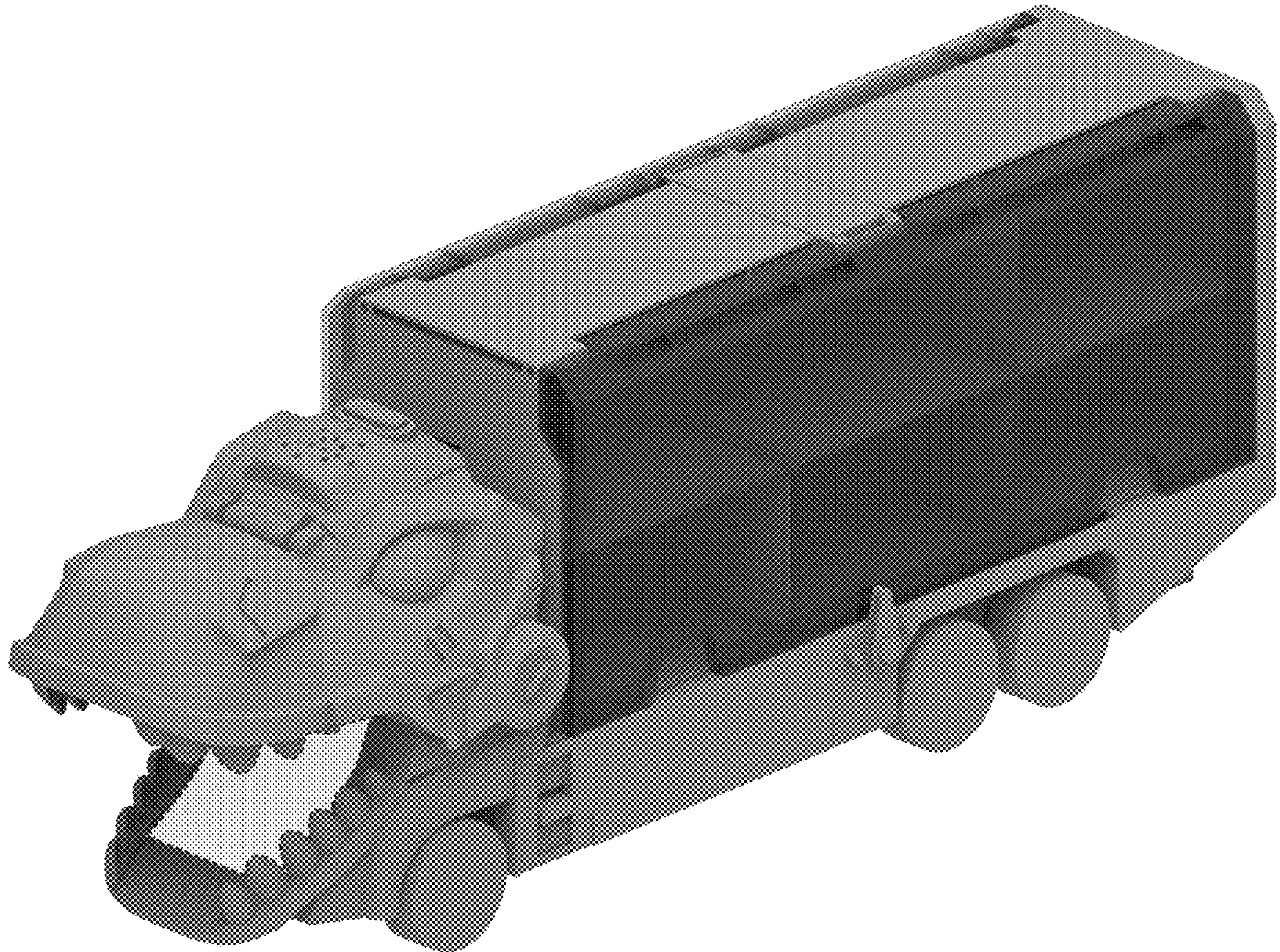


FIG.1



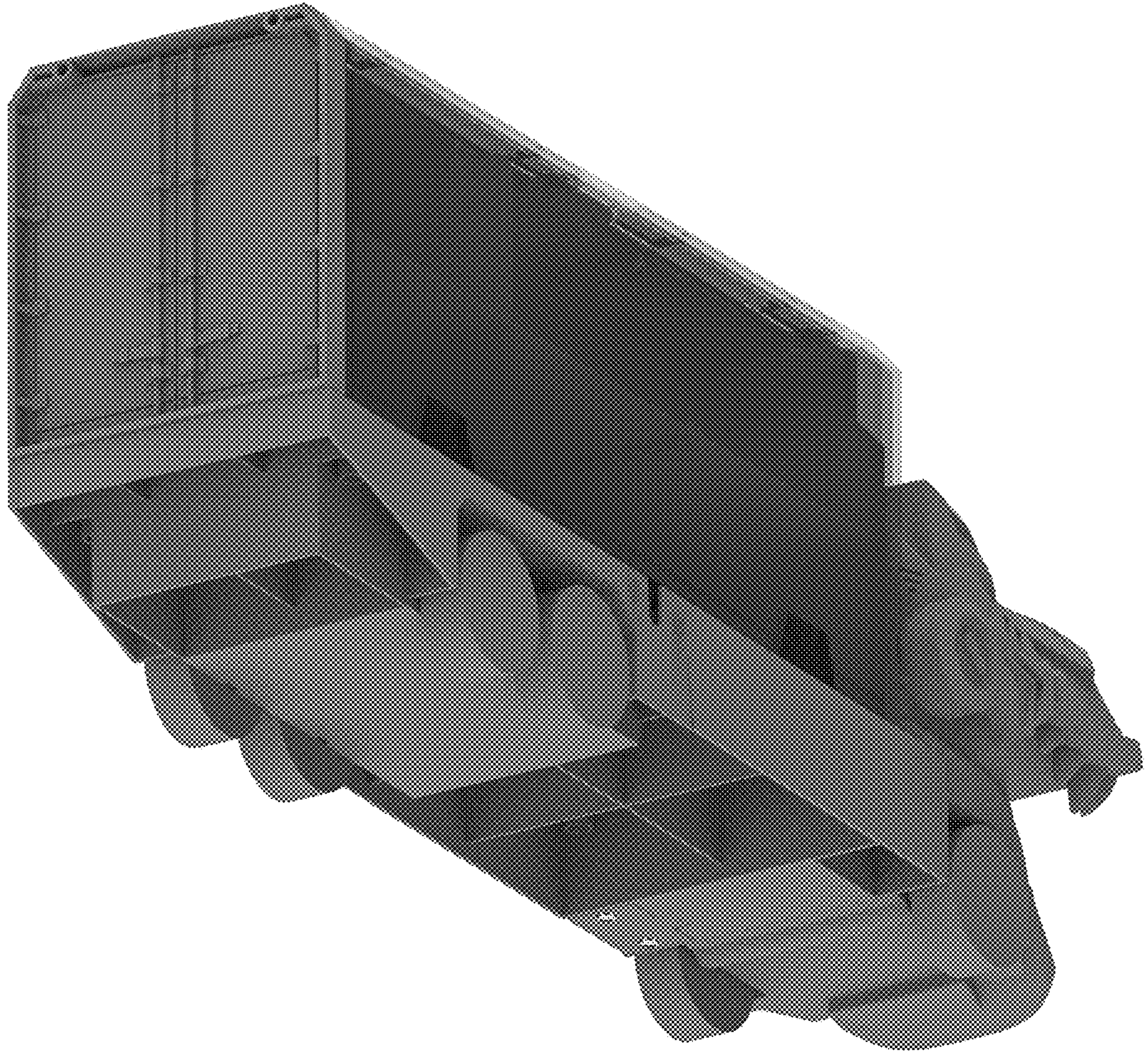


FIG.2



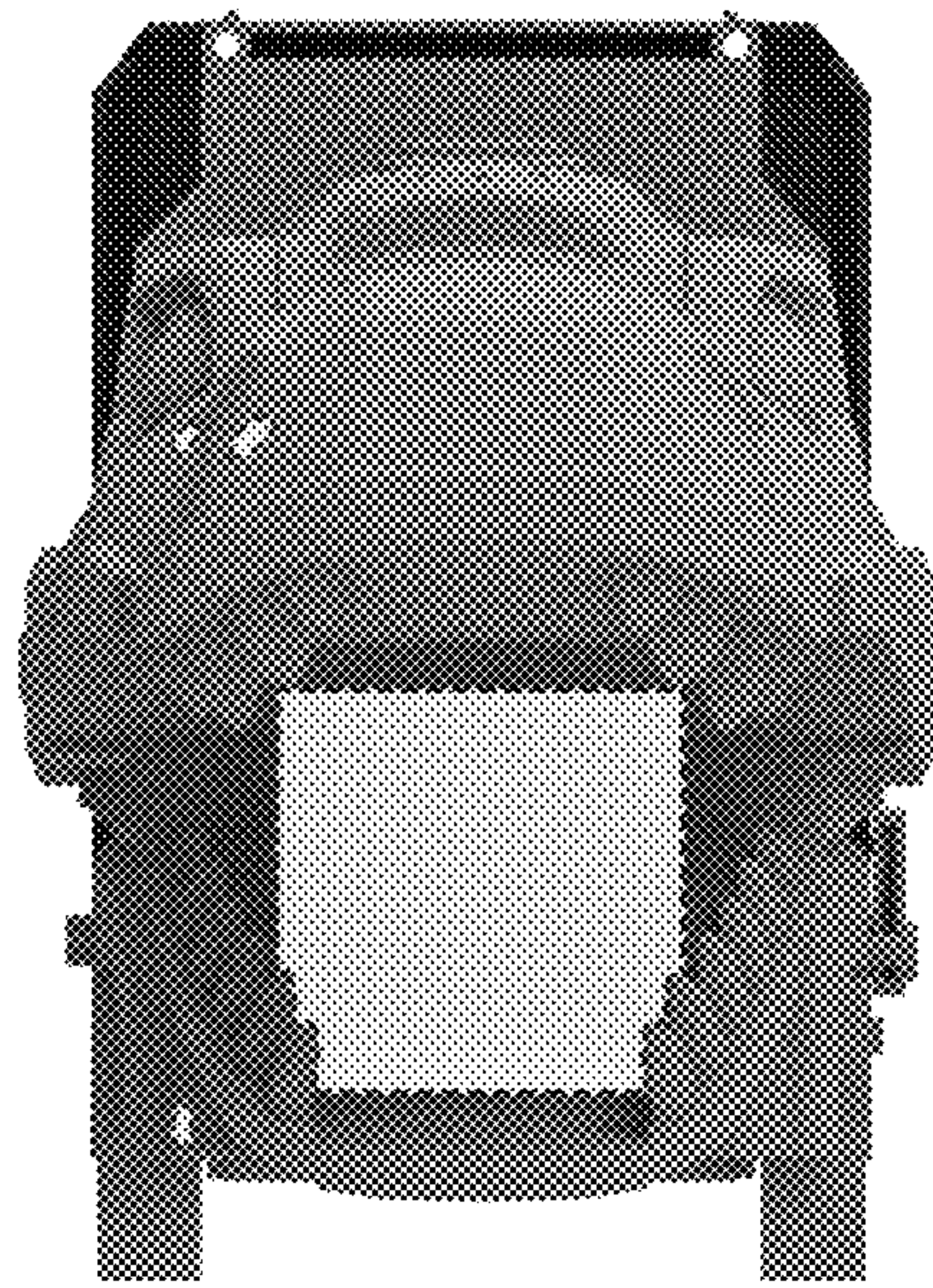


FIG.3

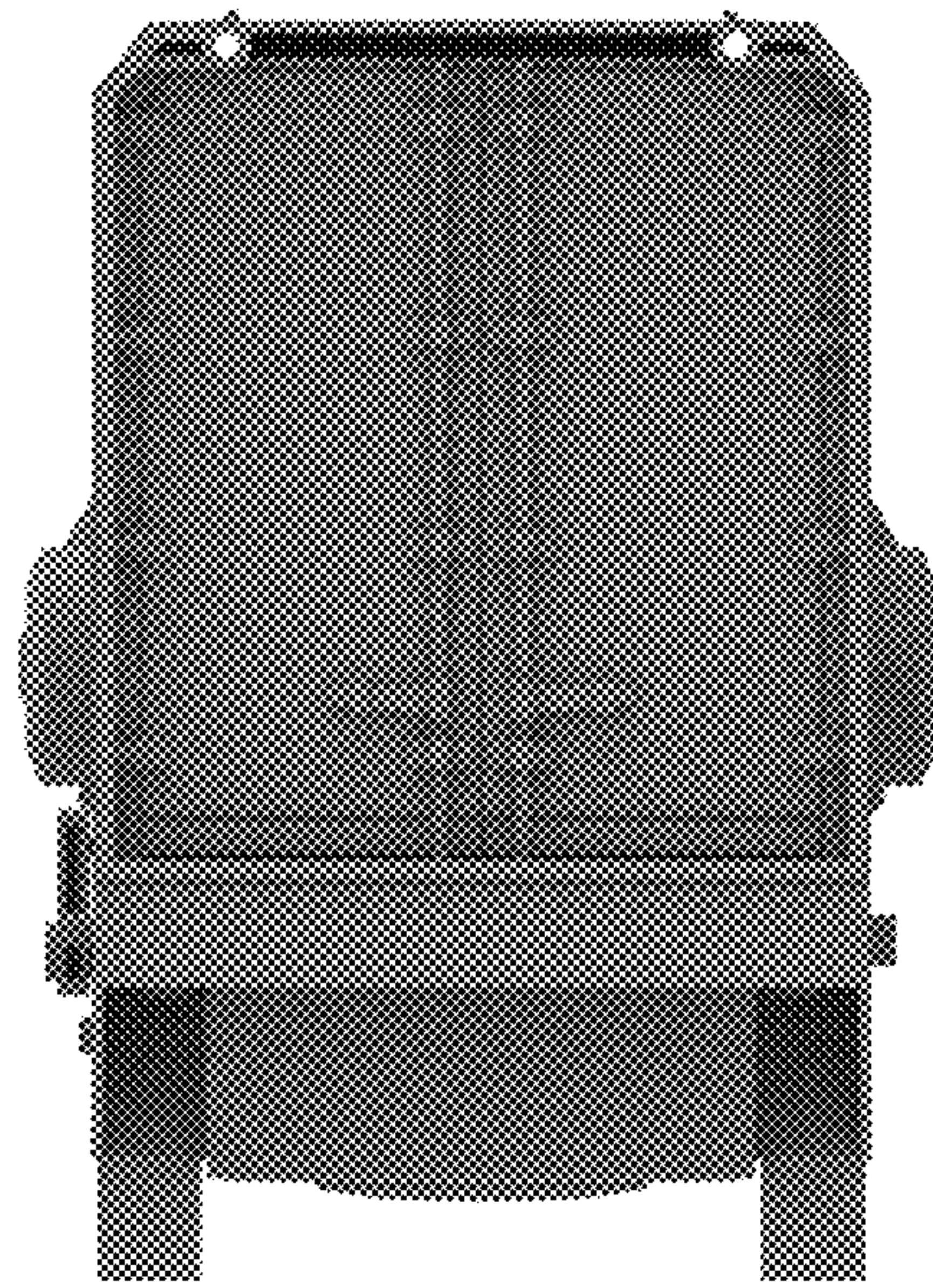


FIG.4

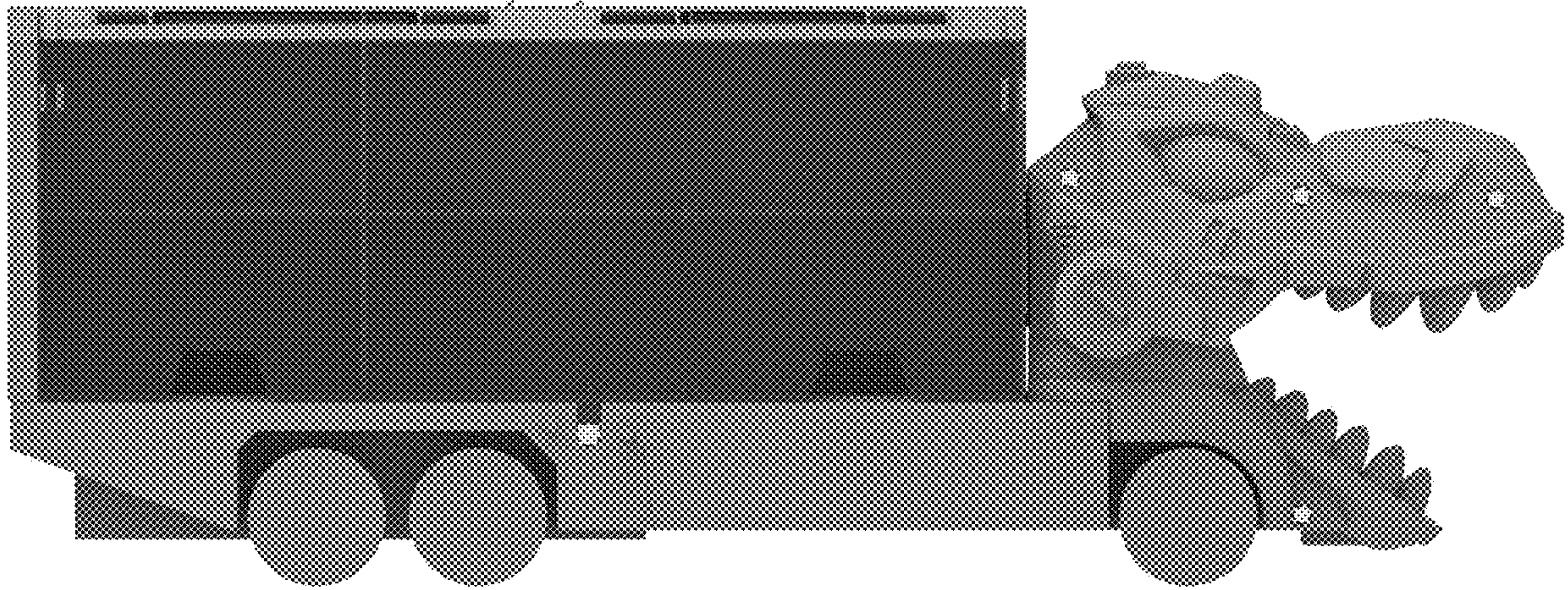


FIG.5



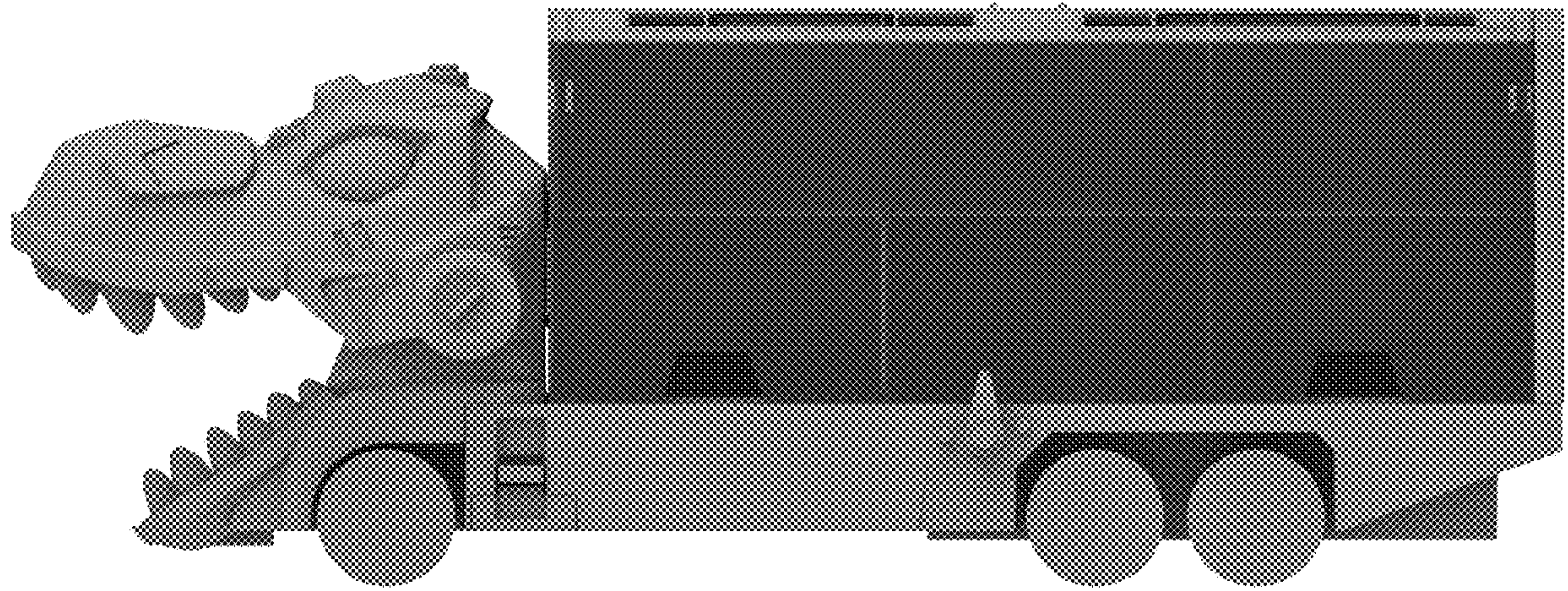


FIG.6



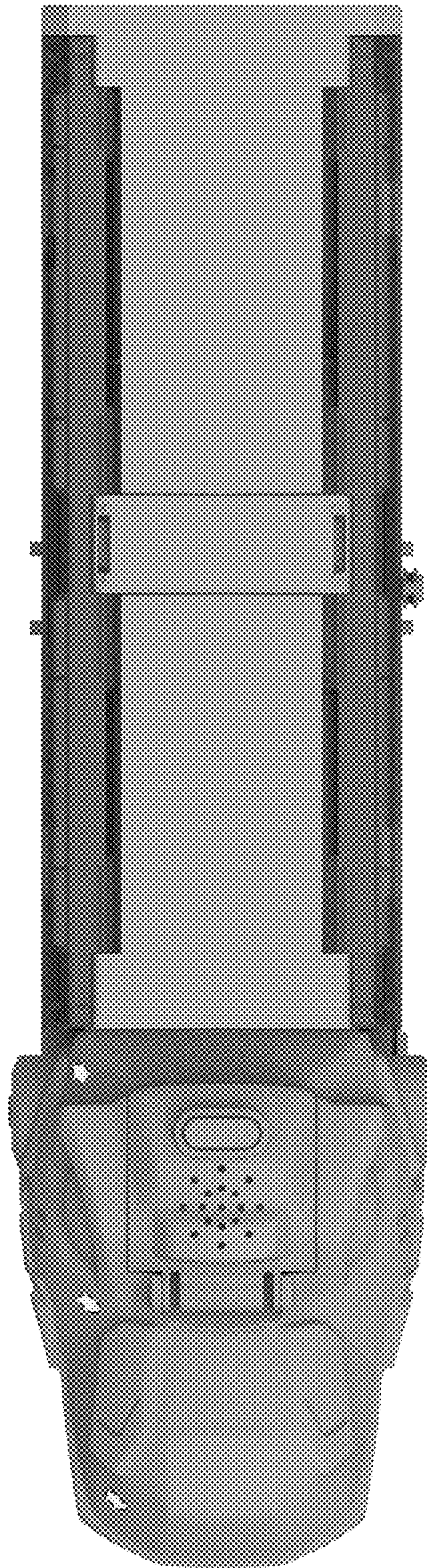


FIG.7



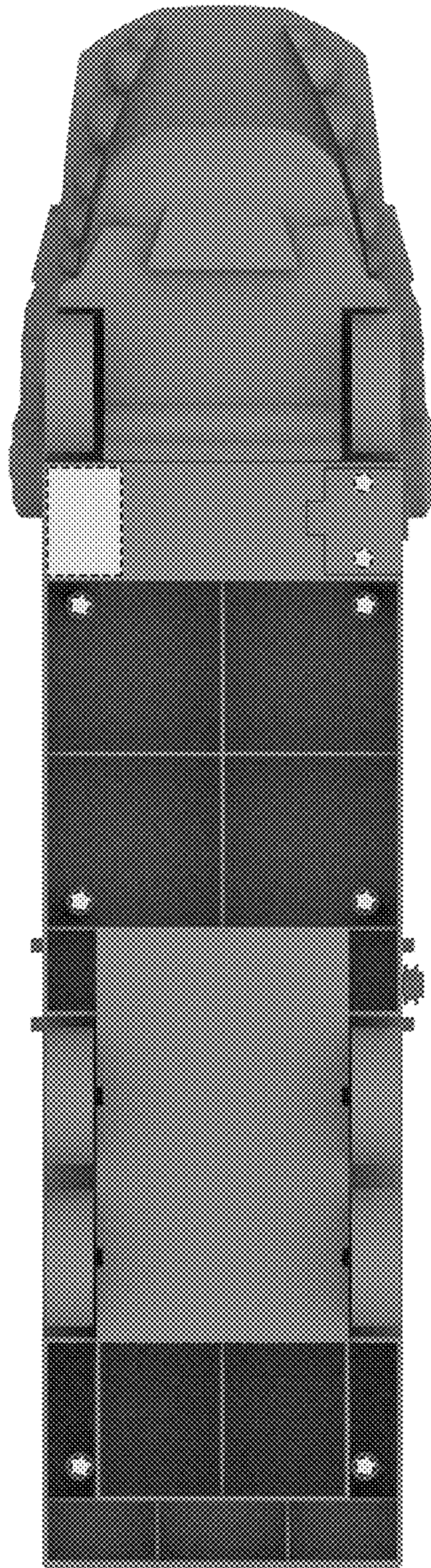


FIG.8



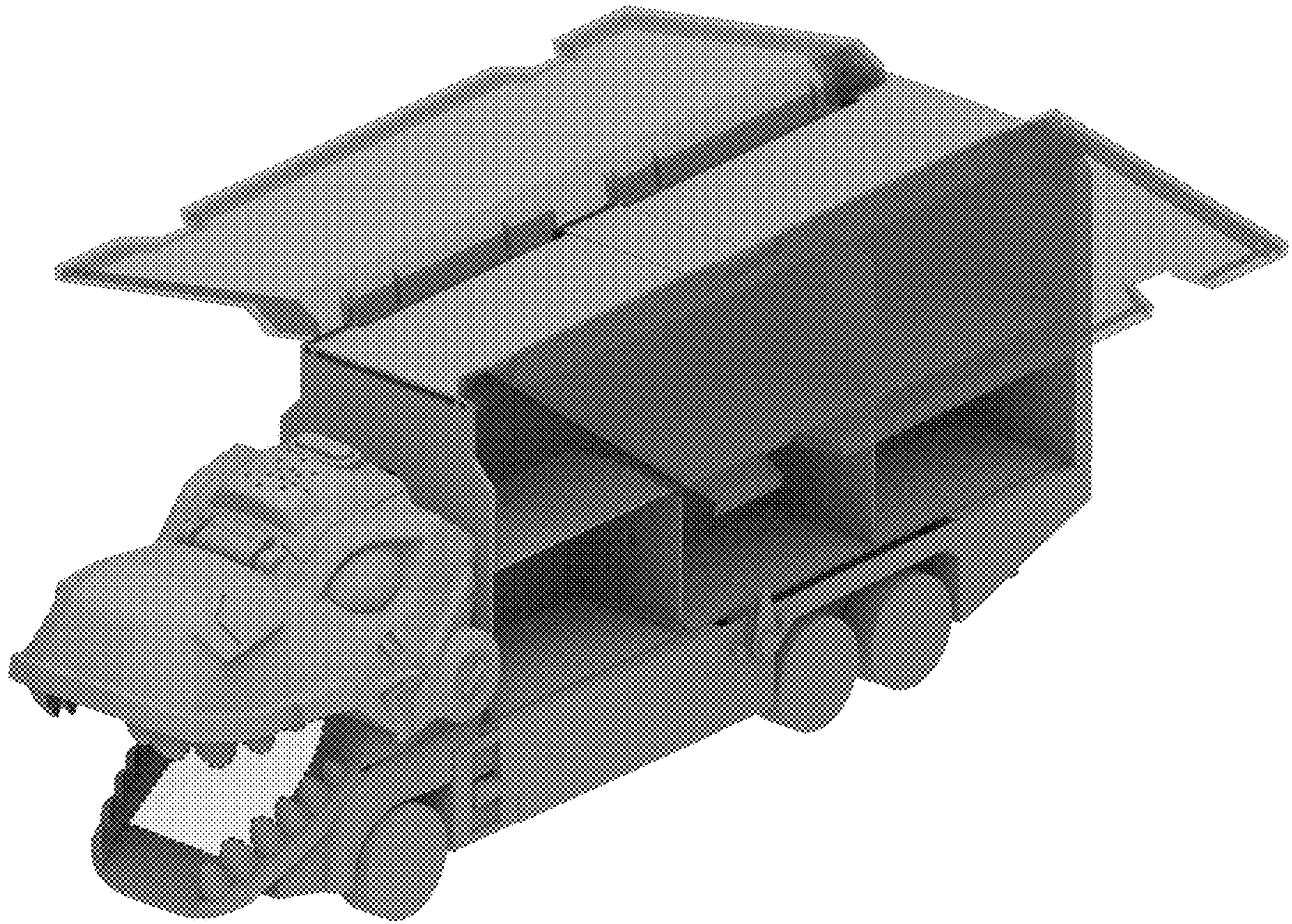


FIG.9