



US00D972656S

(12) **United States Design Patent**  
**Chen**

(10) **Patent No.:** **US D972,656 S**  
(45) **Date of Patent:** **\*\* Dec. 13, 2022**

(54) **TOY CAR**  
(71) Applicant: **Shantou Xiangda Technology Co., Ltd.**, Shantou (CN)  
(72) Inventor: **Wenbu Chen**, Shantou (CN)  
(73) Assignee: **Shantou Xiangda Technology Co., Ltd.**, Shantou (CN)

D838,320 S 1/2019 Lee  
D852,900 S 7/2019 Zhou  
D871,512 S \* 12/2019 Cai ..... D21/550  
D897,452 S \* 9/2020 Lin ..... D21/552  
D897,453 S \* 9/2020 Zhang ..... D21/550  
D930,087 S \* 9/2021 Barajas ..... D21/562  
D930,760 S \* 9/2021 Ewing ..... D21/562  
D936,757 S \* 11/2021 Cai ..... D21/550  
D939,638 S \* 12/2021 Chen ..... D21/548  
D940,253 S \* 1/2022 Bao ..... D21/533  
D940,254 S \* 1/2022 Lin ..... D21/548  
2017/0080350 A1\* 3/2017 Allmendinger ..... A63H 30/04

(\*\*) Term: **15 Years**

\* cited by examiner

(21) Appl. No.: **29/803,424**

*Primary Examiner* — Cynthia M. Chin

(22) Filed: **Aug. 12, 2021**

(74) *Attorney, Agent, or Firm* — Jeenam Park

(51) **LOC (13) Cl.** ..... **21-01**

(57) **CLAIM**

(52) **U.S. Cl.**  
USPC ..... **D21/552**

The ornamental design for a toy car, as shown and described.

(58) **Field of Classification Search**  
USPC ..... D21/433, 533, 548, 549, 550, 552, 558,  
D21/559, 561, 562  
CPC ..... A63H 17/00; A63H 17/004; A63H 17/05;  
A63H 17/06  
See application file for complete search history.

**DESCRIPTION**

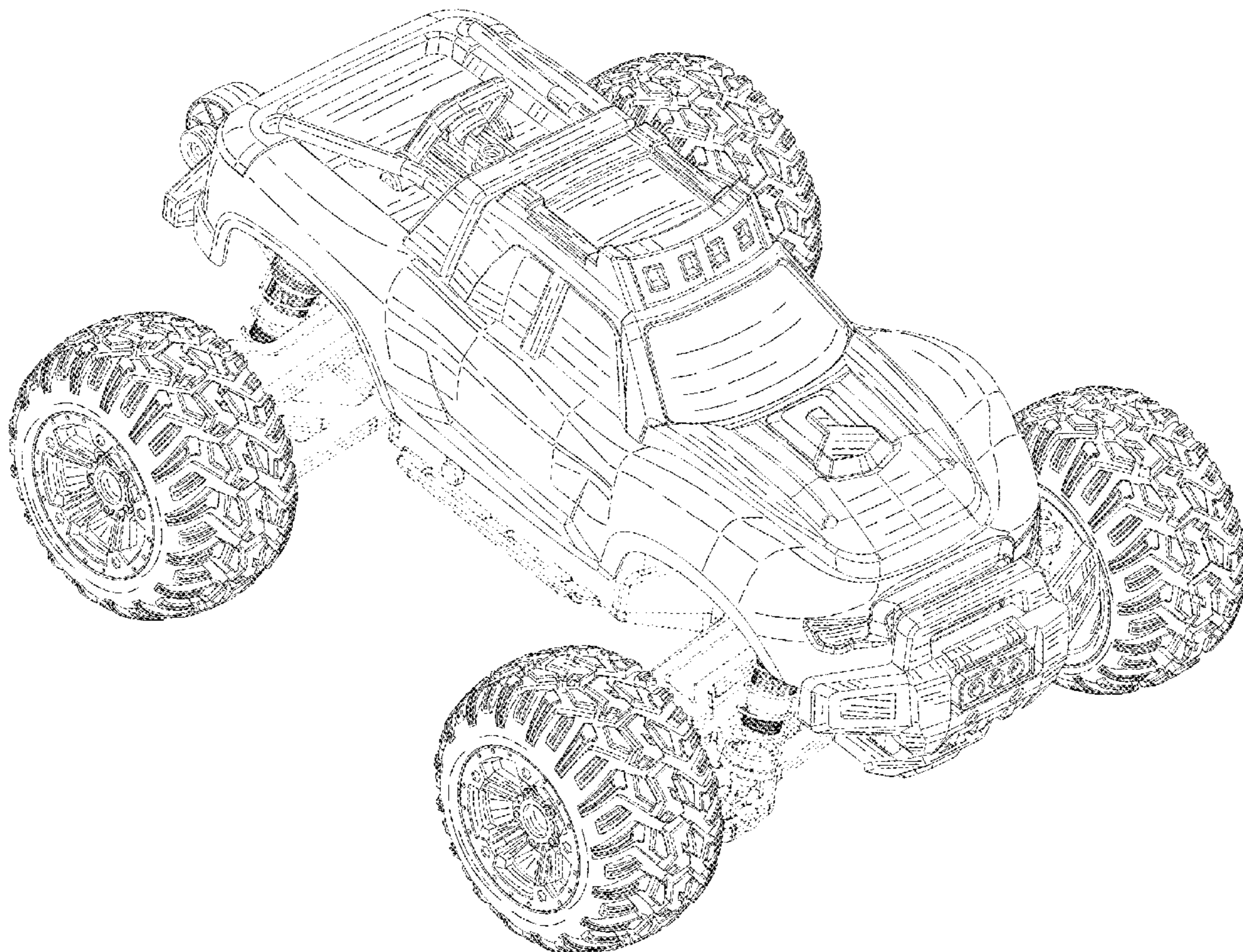
(56) **References Cited**

U.S. PATENT DOCUMENTS

D550,311 S \* 9/2007 Chen ..... D21/548  
D792,524 S 7/2017 Lee  
D802,685 S \* 11/2017 Barajas ..... D21/562  
D832,368 S \* 10/2018 Barajas ..... D21/561

FIG. 1 is a perspective view of a toy car showing my new design;  
FIG. 2 is another perspective view thereof;  
FIG. 3 is a front view thereof;  
FIG. 4 is a rear view thereof;  
FIG. 5 is a left side view thereof;  
FIG. 6 is a right side view thereof;  
FIG. 7 is a top plan view thereof; and,  
FIG. 8 is a bottom plan view thereof.  
The broken lines are for the purpose of illustrating portions of the article that form no part of the claimed design.

**1 Claim, 8 Drawing Sheets**



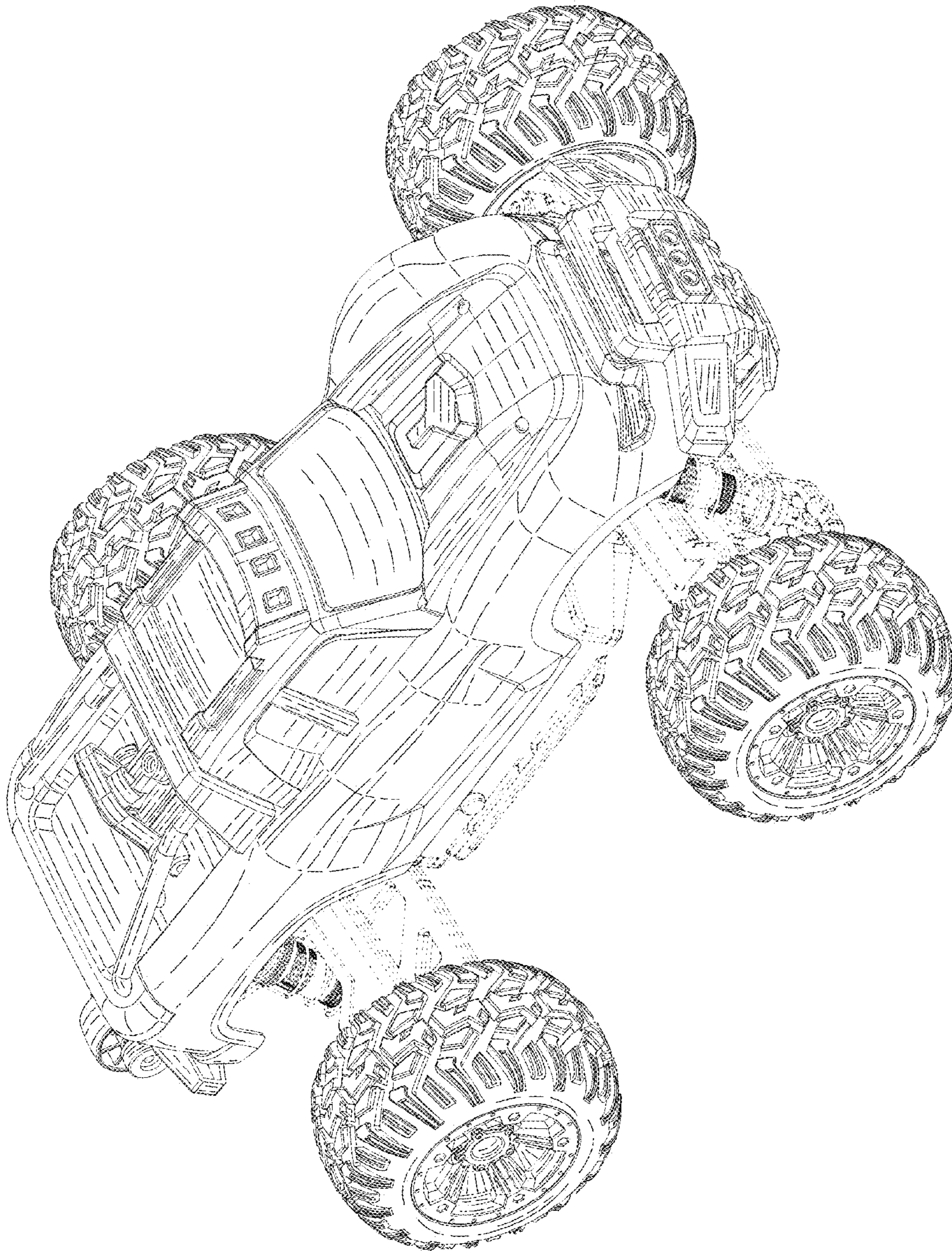


FIG. 1

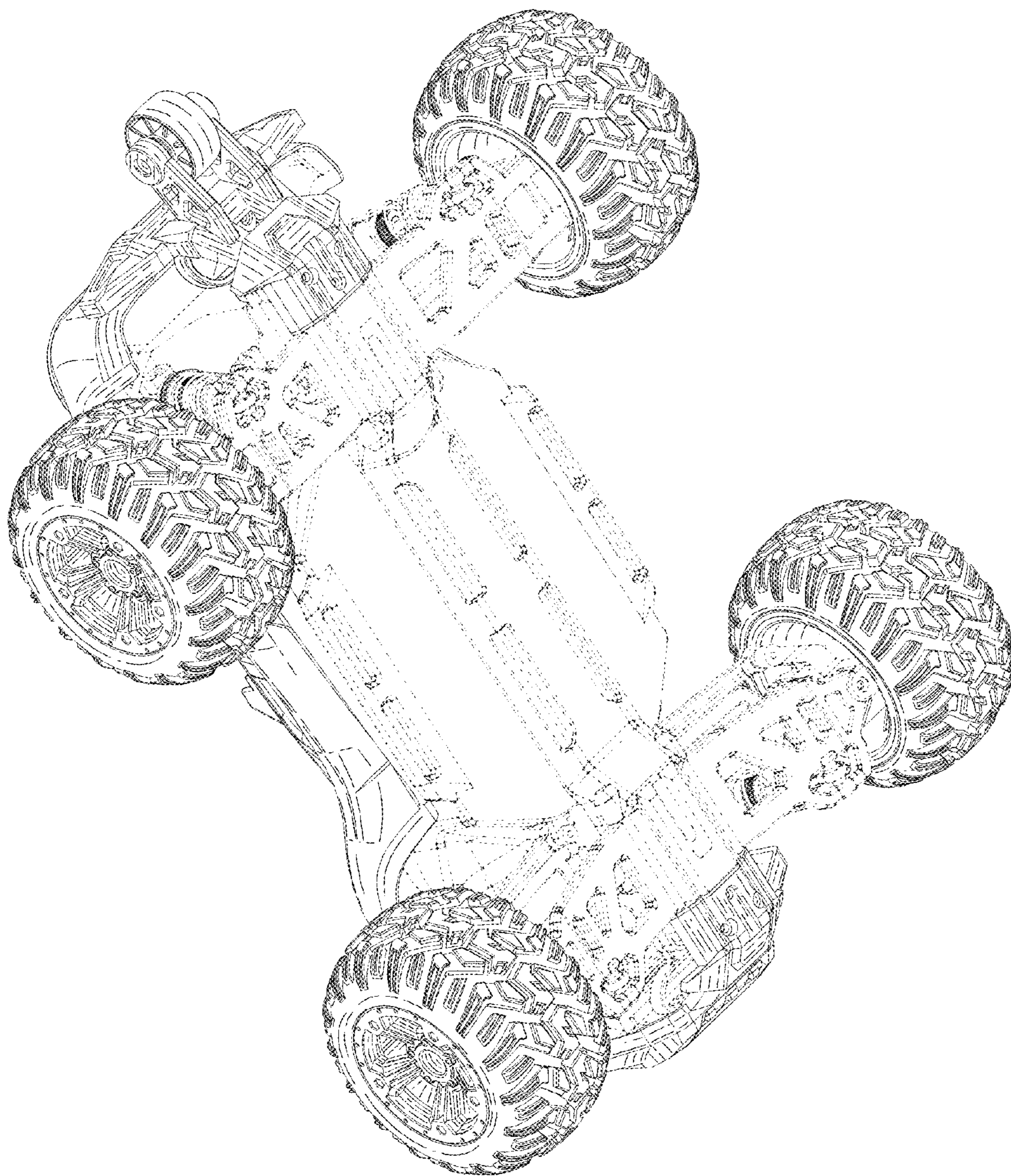


FIG. 2

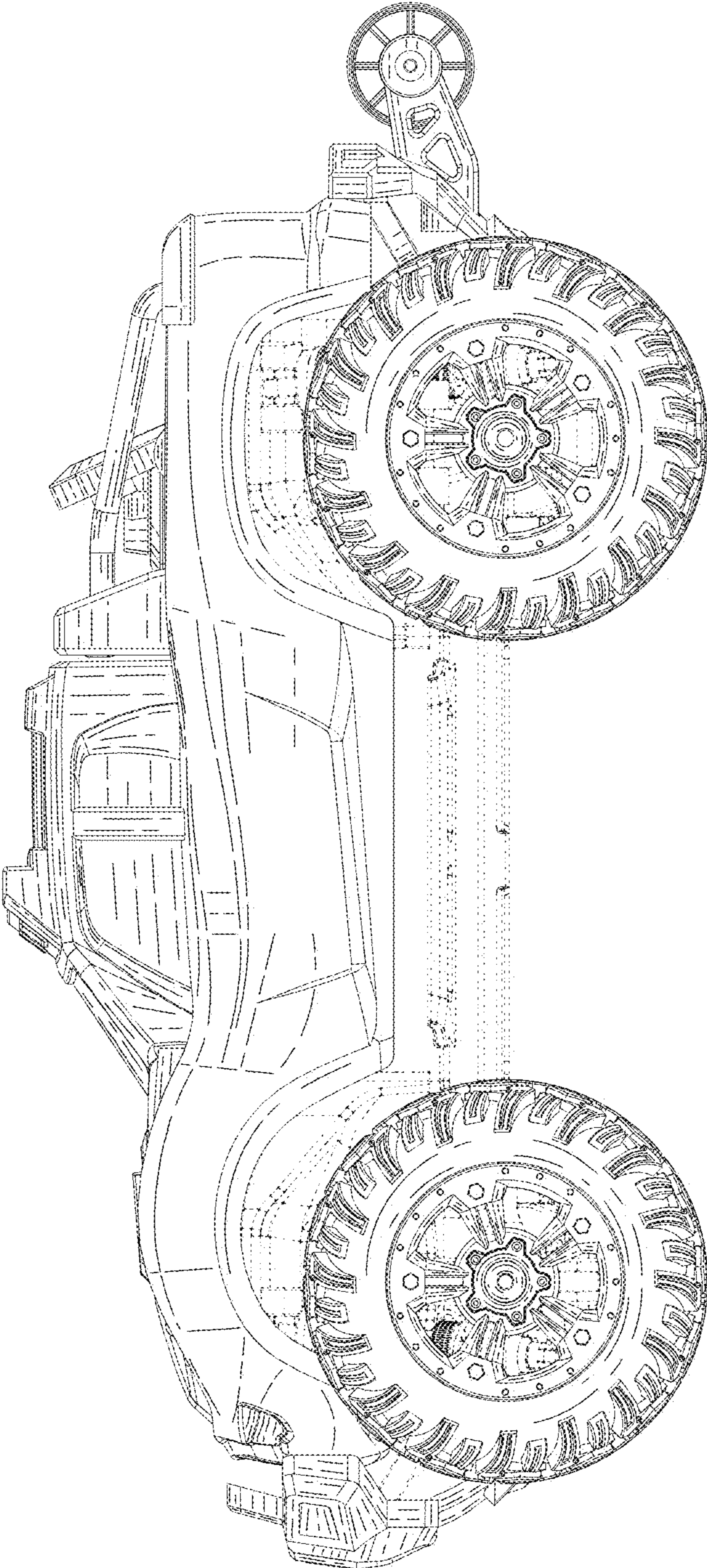


FIG. 3

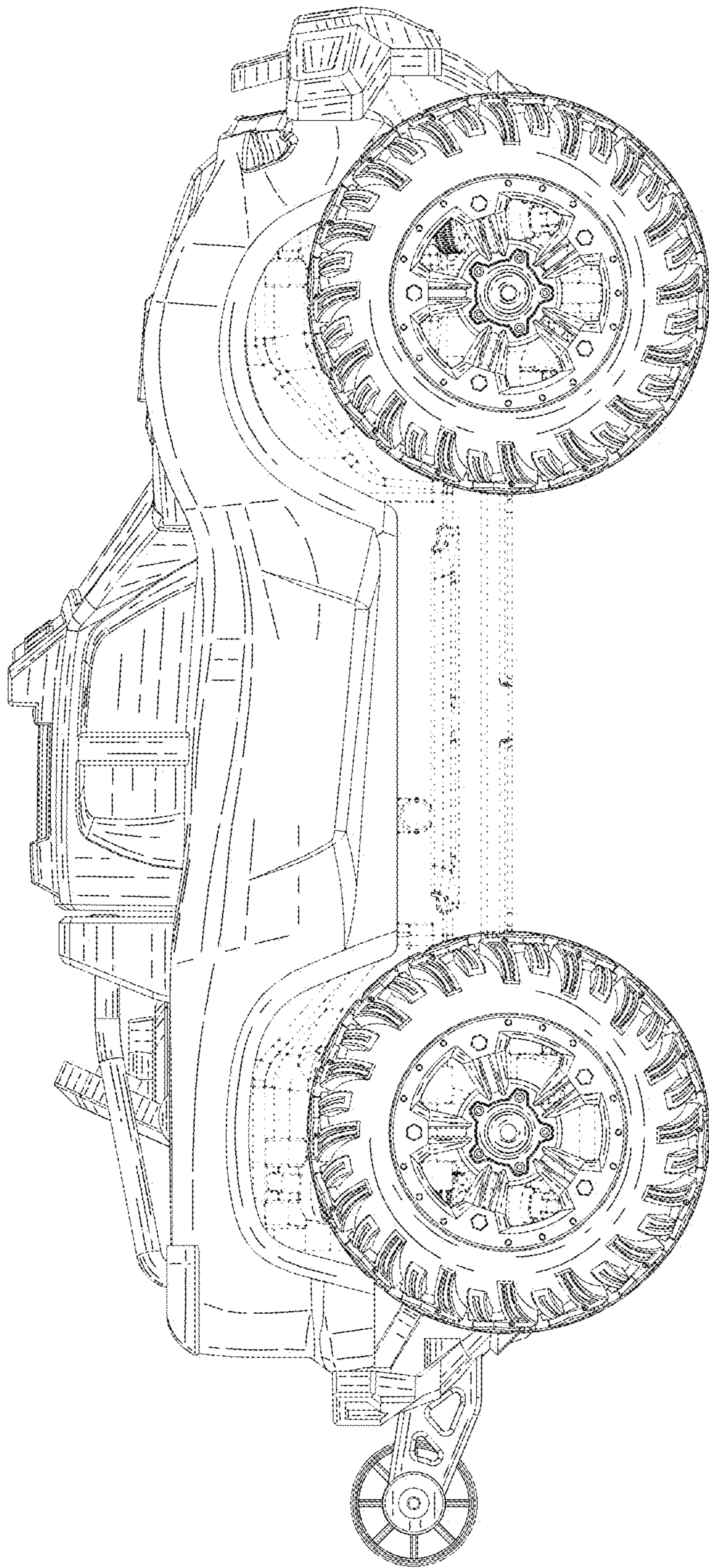


FIG. 4

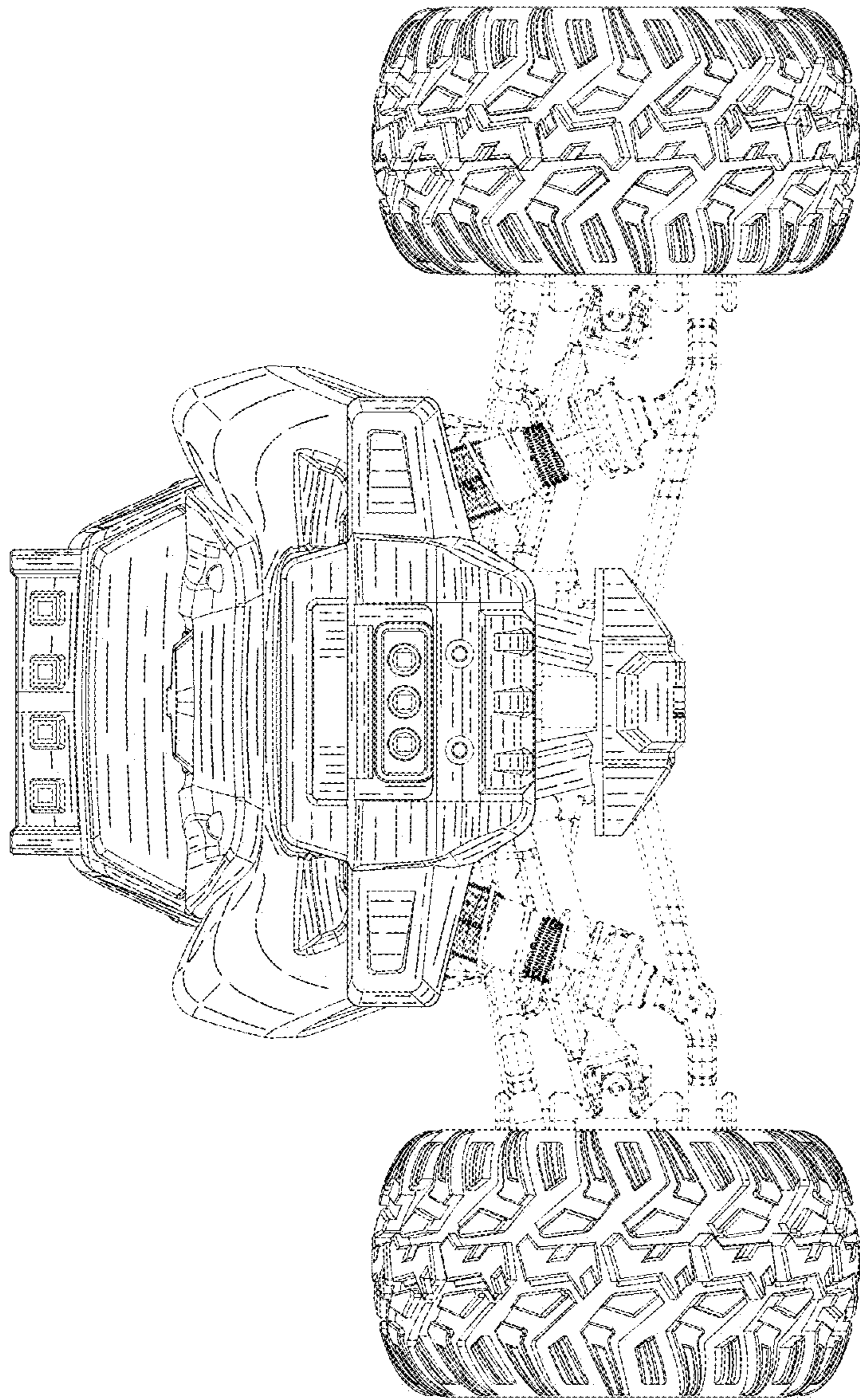


FIG. 5

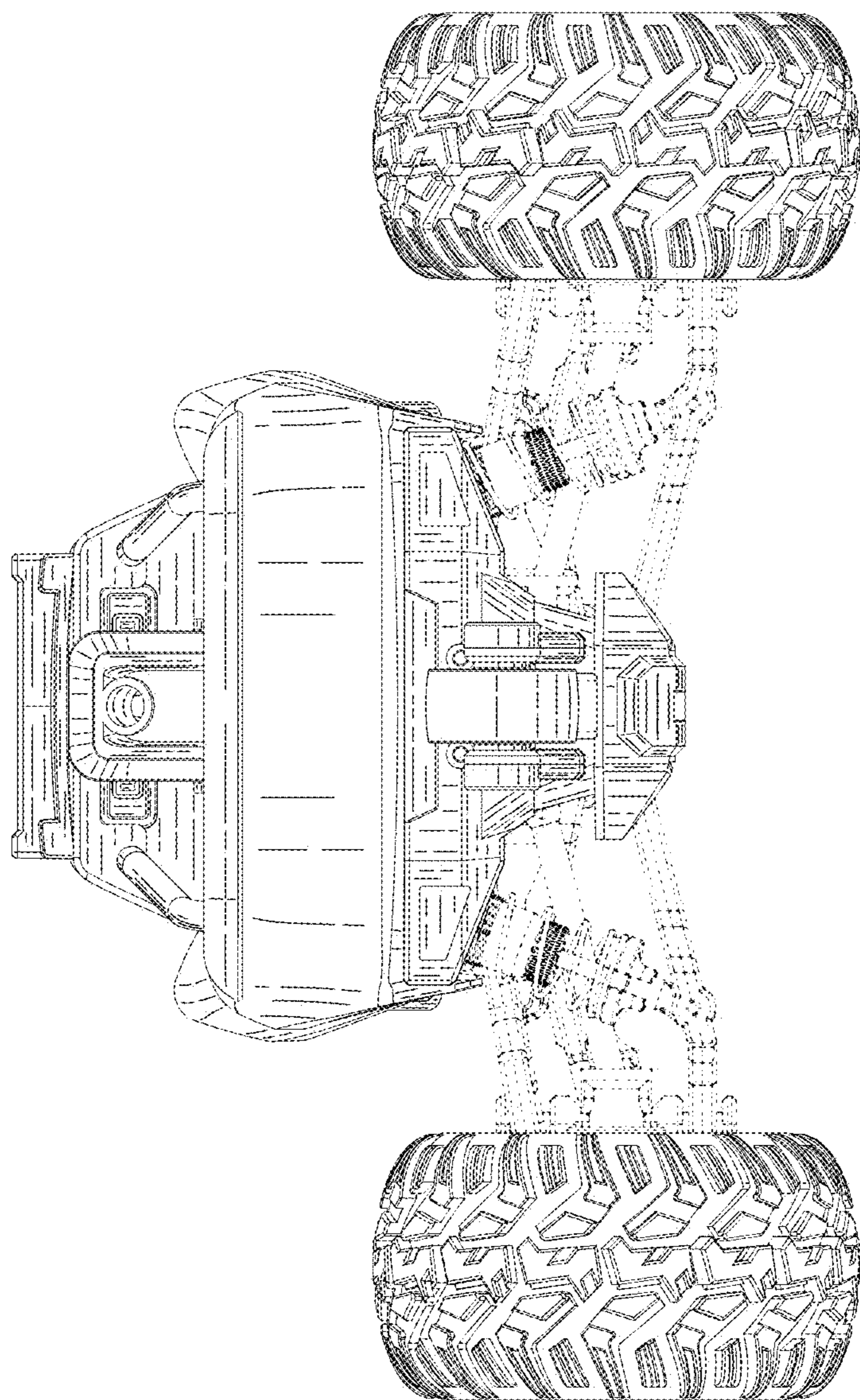


FIG. 6

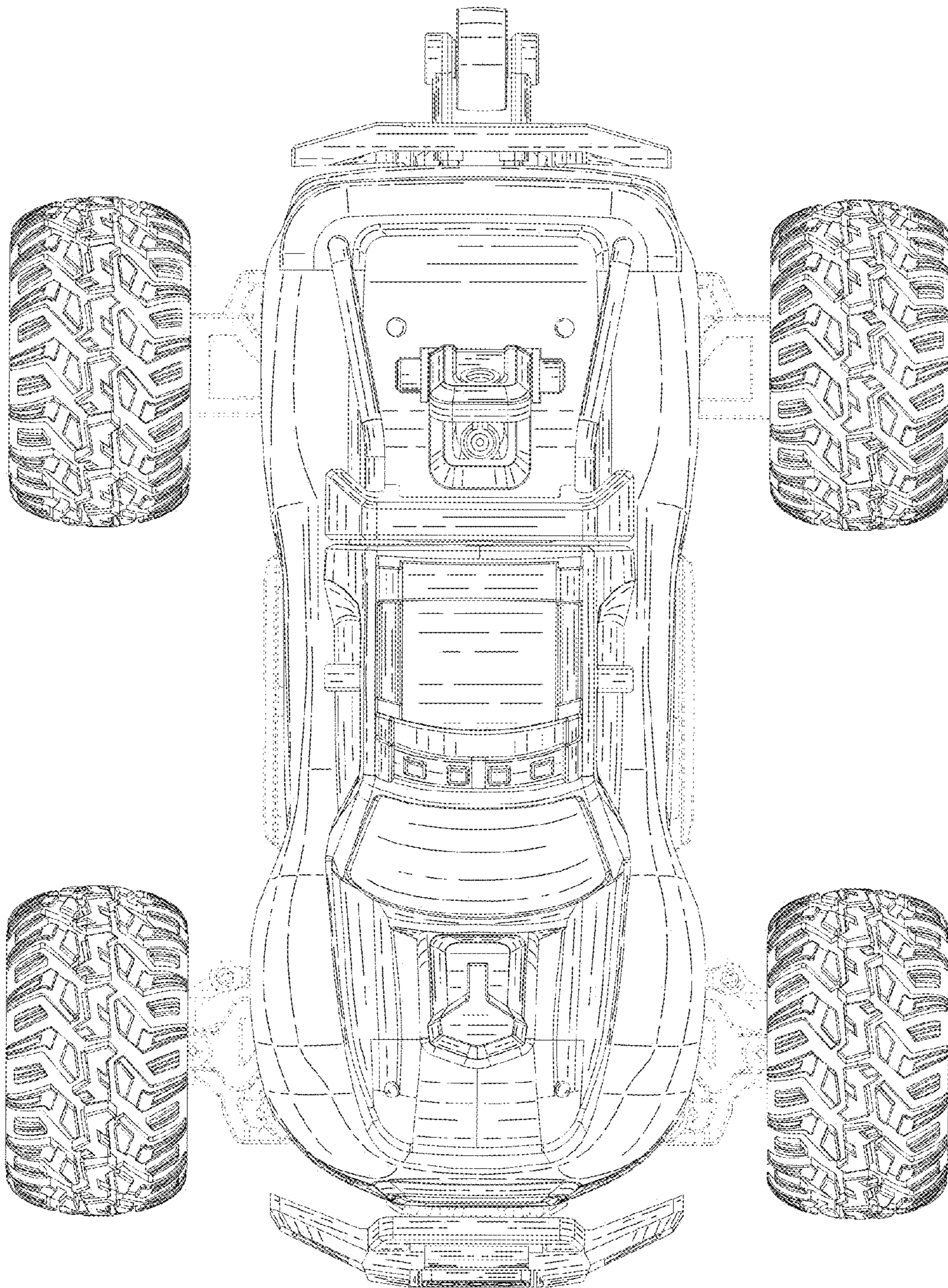


FIG. 7



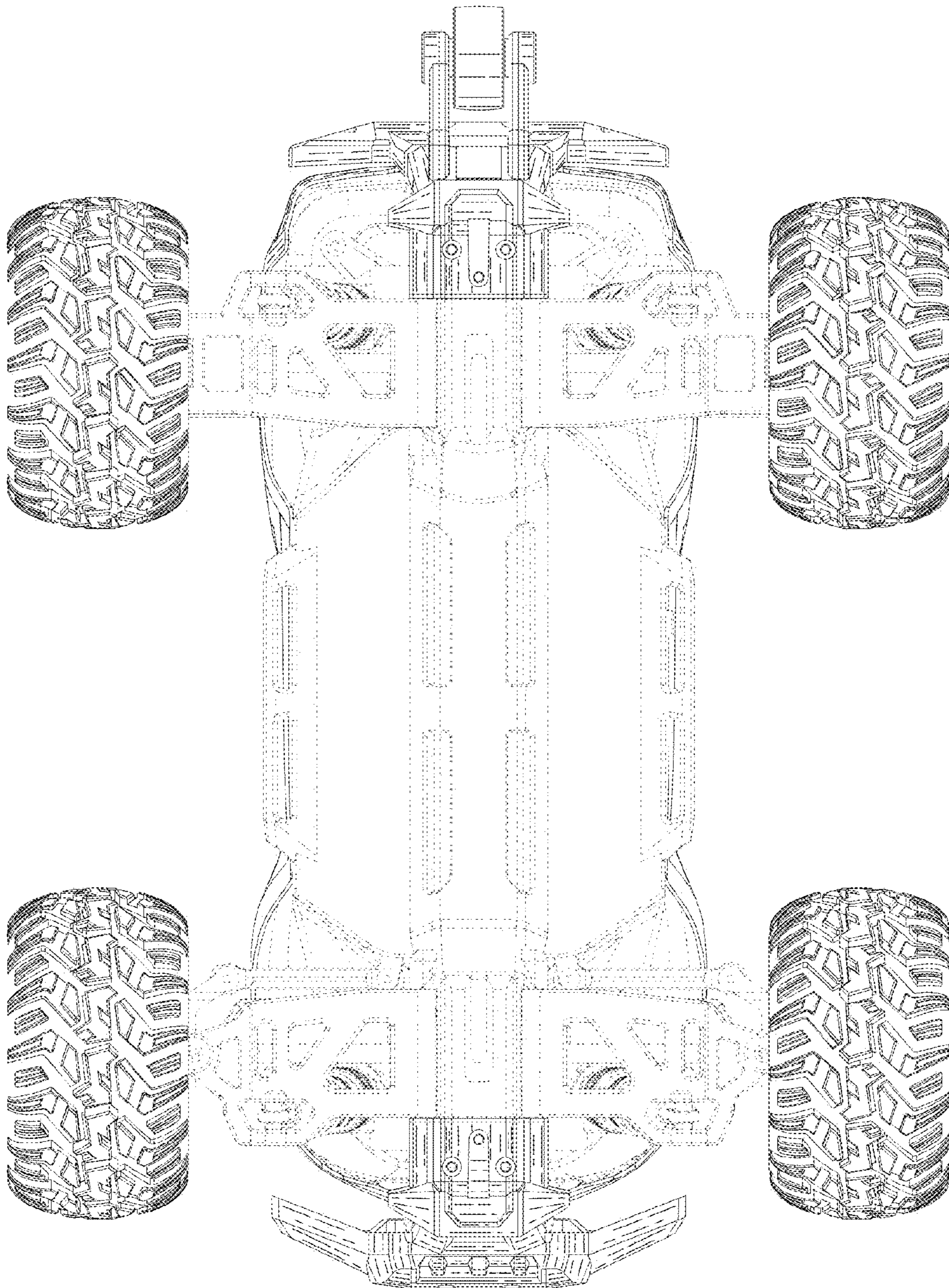


FIG. 8