



US00D972653S

(12) **United States Design Patent** (10) **Patent No.:** **US D972,653 S**  
**McGowan et al.** (45) **Date of Patent:** **\*\* Dec. 13, 2022**

(54) **SCOOTER WITH FRONT PLATE**

D564,037 S \* 3/2008 Cramer ..... D21/423  
D698,868 S \* 2/2014 Chan ..... D21/423  
D738,435 S \* 9/2015 O'Connell ..... A63C 11/04  
D21/423

(71) Applicant: **Yvolve Sports Ltd.**, Dublin (IE)

(Continued)

(72) Inventors: **John McGowan**, Balbriggan (IE);  
**Ailish Reidy**, Dublin (IE)

**FOREIGN PATENT DOCUMENTS**

(73) Assignee: **YVOLVE SPORTS LTD.**, Dublin (IE)

CN 305265826 \* 7/2019  
CN 305516865 \* 12/2019

(\*\*) Term: **15 Years**

(Continued)

(21) Appl. No.: **29/839,672**

**OTHER PUBLICATIONS**

(22) Filed: **May 23, 2022**

“PHAT ® Kids Scooter,” Aug. 9, 2017, amazon.ca, site visited Apr. 5, 2022, URL: <https://www.amazon.ca/PHAT%C2%AE-Foldable-Mini-Kick-Scooter/dp/B078K9LM21/> (Year: 2017).\*

(Continued)

**Related U.S. Application Data**

(62) Division of application No. 29/741,263, filed on Jul. 10, 2020.

*Primary Examiner* — Eric L Goodman  
*Assistant Examiner* — Sarah L Smith

(51) **LOC (13) Cl.** ..... **21-01**

(74) *Attorney, Agent, or Firm* — Aird & McBurney LP

(52) **U.S. Cl.**  
USPC ..... **D21/423**; D21/435

(57) **CLAIM**

(58) **Field of Classification Search**  
USPC ..... D21/419, 421, 423, 760, 763, 765, 771;  
D12/1, 8, 107, 110, 112–114  
CPC .. B62K 3/002; B62K 5/08; B62K 5/02; A63C  
17/01; A63C 17/02; A63C 17/04; A63C  
17/014; A63C 17/265  
See application file for complete search history.

The ornamental design for a scooter with front plate, as shown and described.

**DESCRIPTION**

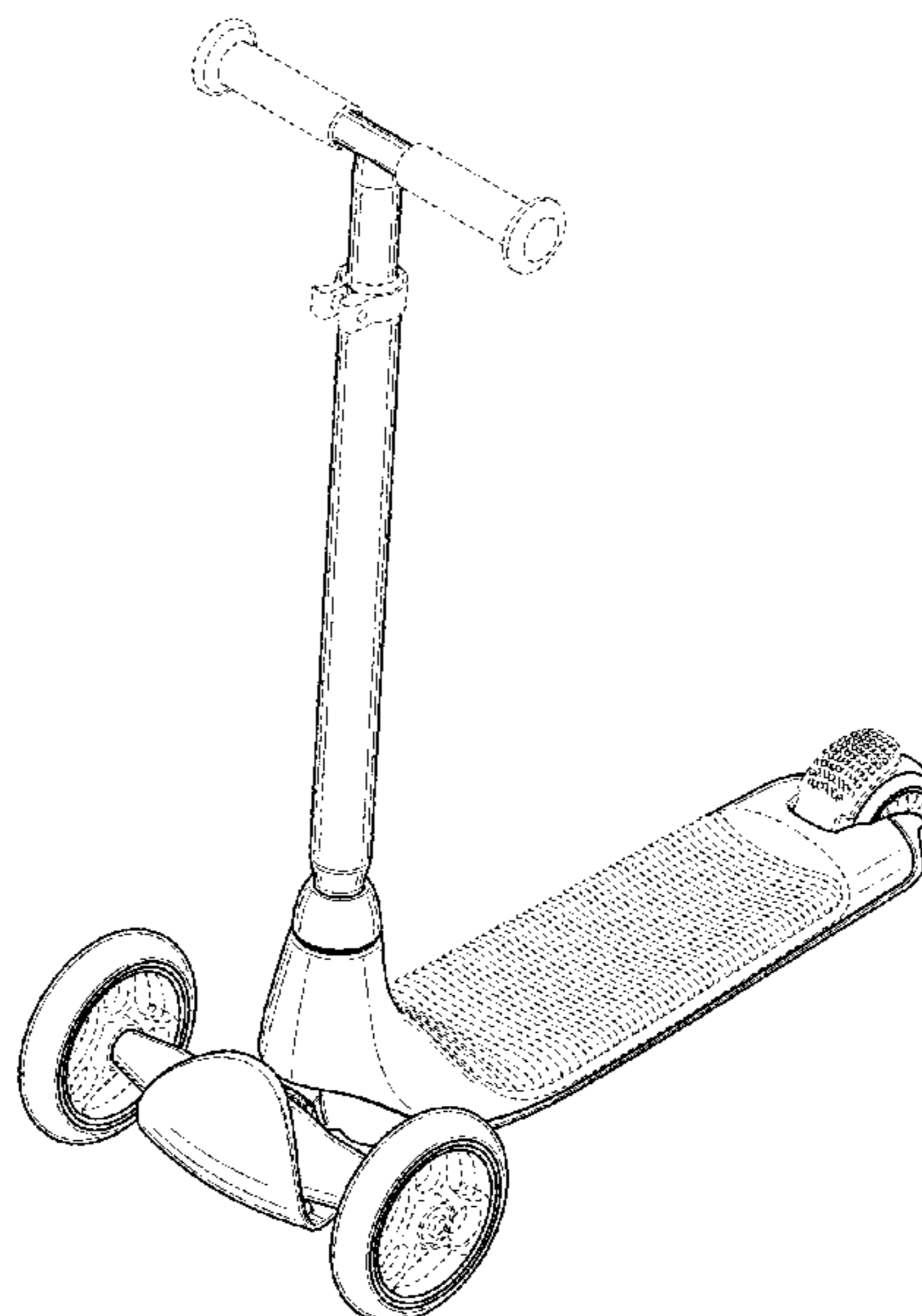
(56) **References Cited**

**U.S. PATENT DOCUMENTS**

2,620,199 A \* 12/1952 Maly ..... B62B 13/12  
280/22.1  
4,078,780 A \* 3/1978 Schwarz ..... A63C 11/04  
269/88  
D296,311 S \* 6/1988 Dunmon, Jr. .... B62B 13/04  
D12/11  
D492,914 S \* 7/2004 VanPelt, II ..... D12/8

FIG. 1 is a perspective view from above, to the front and to the left side of the new design for a scooter with front plate; FIG. 2 is a perspective view from below, to the rear and to right side thereof; FIG. 3 is a front view thereof; FIG. 4 is a rear view thereof; FIG. 5 is a right side view thereof; FIG. 6 is a left side view thereof; FIG. 7 is a top plan view thereof; and, FIG. 8 is a bottom plan view thereof. In the drawings, the broken lines are for the purpose of illustrating portions of the article that form no part of the claim.

**1 Claim, 8 Drawing Sheets**



(56)

**References Cited**

U.S. PATENT DOCUMENTS

D749,174 S \* 2/2016 O Connell ..... D21/423  
 10,137,955 B1 \* 11/2018 Wu ..... B62K 3/002  
 D879,884 S \* 3/2020 Desberg ..... D21/423  
 D884,085 S \* 5/2020 Li ..... D21/423  
 D898,833 S \* 10/2020 Mazoyer ..... D21/423  
 D911,457 S \* 2/2021 Yu ..... D21/423  
 D914,105 S \* 3/2021 Mazoyer ..... D21/423  
 D921,764 S \* 6/2021 Zhang ..... D21/423  
 2005/0258609 A1 \* 11/2005 Yeh ..... B62B 13/04  
 280/14.27  
 2018/0185739 A1 \* 7/2018 McGowan ..... A63C 17/265  
 2020/0283086 A1 \* 9/2020 Ulmen ..... B62K 11/14  
 2022/0009582 A1 \* 1/2022 McGowan ..... B62K 15/006

FOREIGN PATENT DOCUMENTS

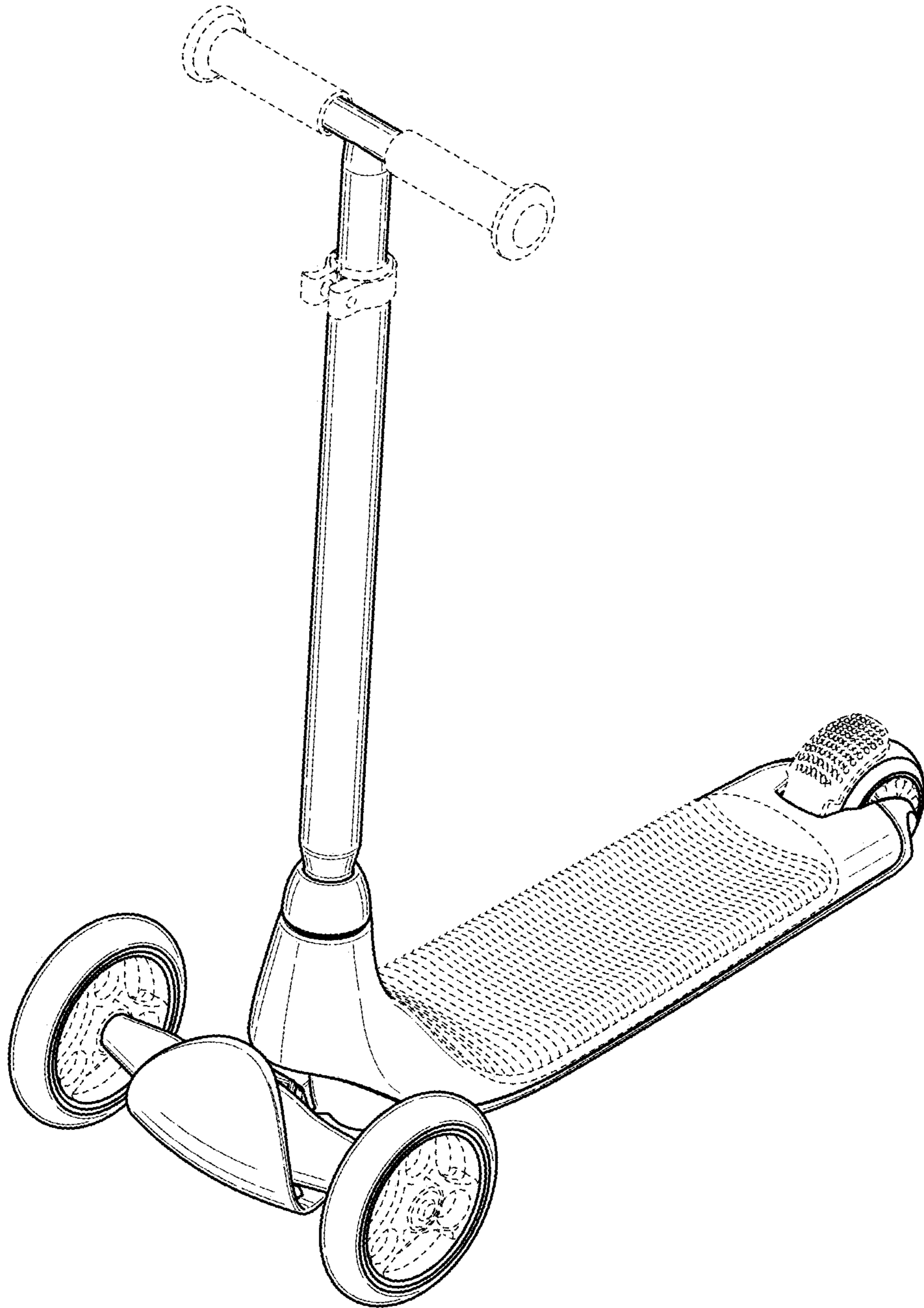
CN 213262794 U \* 5/2021  
 EM 006537619-0001 \* 6/2019

EP 2444307 A1 \* 4/2012 ..... B62K 3/002  
 WO WO-2015192773 A1 \* 12/2015 ..... B62K 15/00  
 WO WO-2016034975 A1 \* 3/2016 ..... B62H 7/00  
 WO D200611-001 \* 5/2019 ..... B62K 15/00

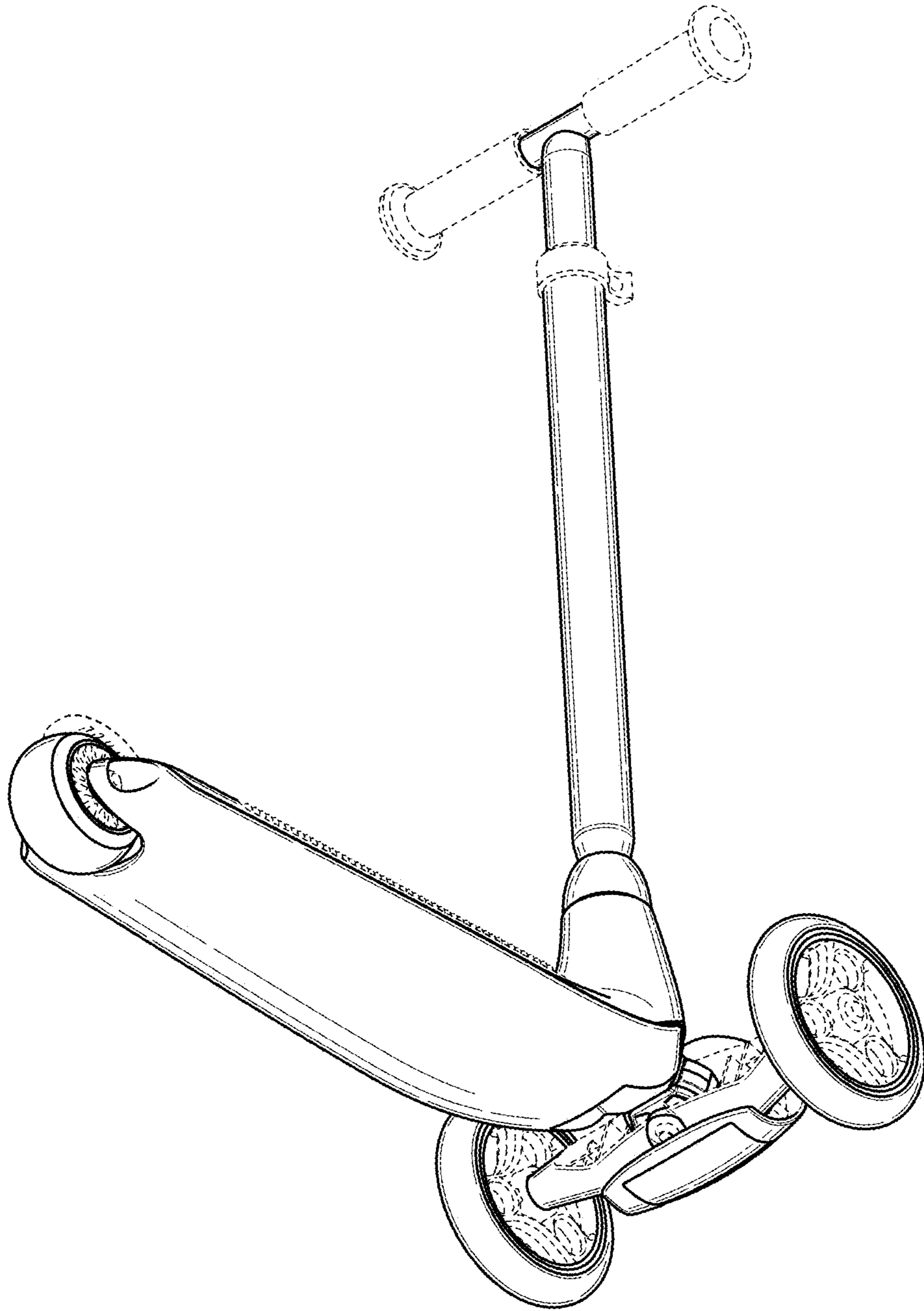
OTHER PUBLICATIONS

“67i Scooter for Kids,” May 28, 2018, amazon.com, site visited Jun. 16, 2022, URL: <https://www.amazon.com/67i-Scooter-Adjustable-Flashing-Children/dp/B07G5GJBFG?th=1> (Year: 2018).  
 “Yoleo Scooter for Kids,” Apr. 23, 2019, us.amazon.com, site visited Jun. 14, 2022, URL: <https://us.amazon.com/Yoleo-Scooter-Wheels-Extra-Toddlers/dp/B07QXWLTT7> (Year: 2019).  
 “Chillafish,” May 28, 2020, instagram.com, site visited Jun. 16, 2022, URL: <https://www.instagram.com/p/CAu4MxyHsmH/> (Year: 2020).\*

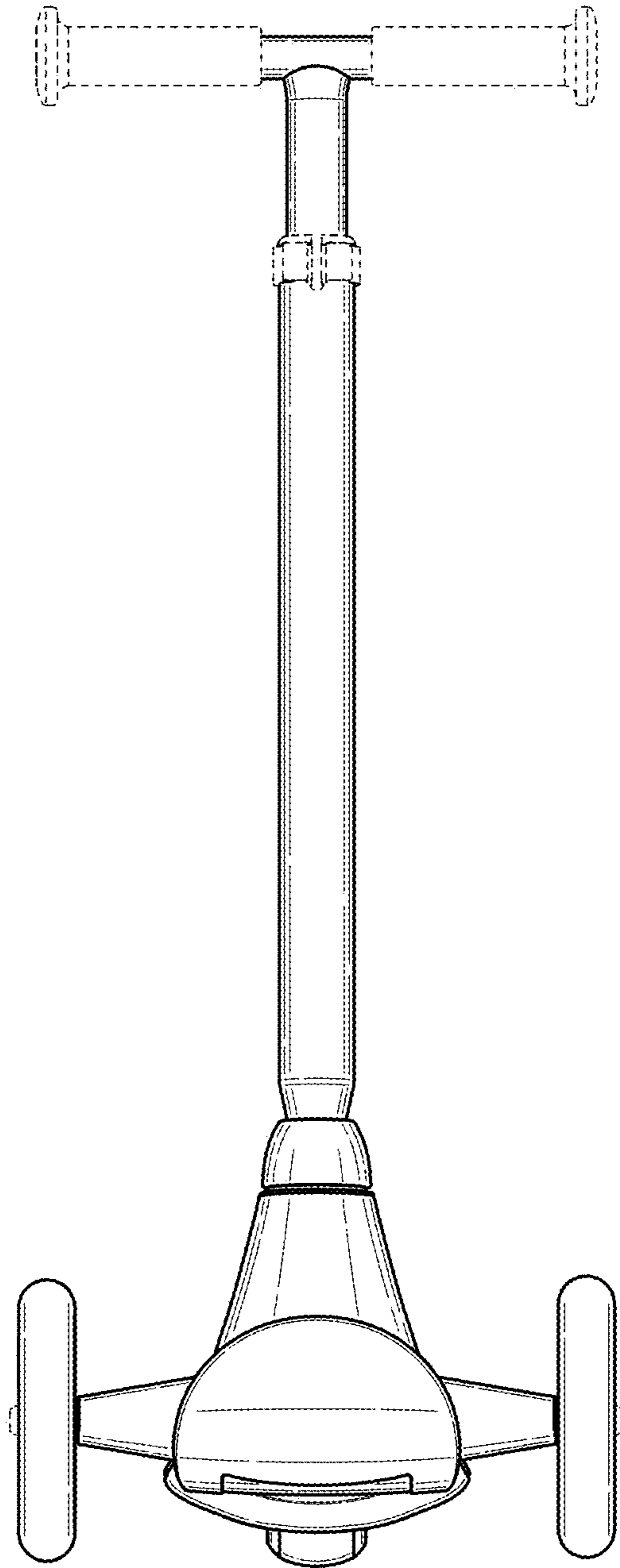
\* cited by examiner



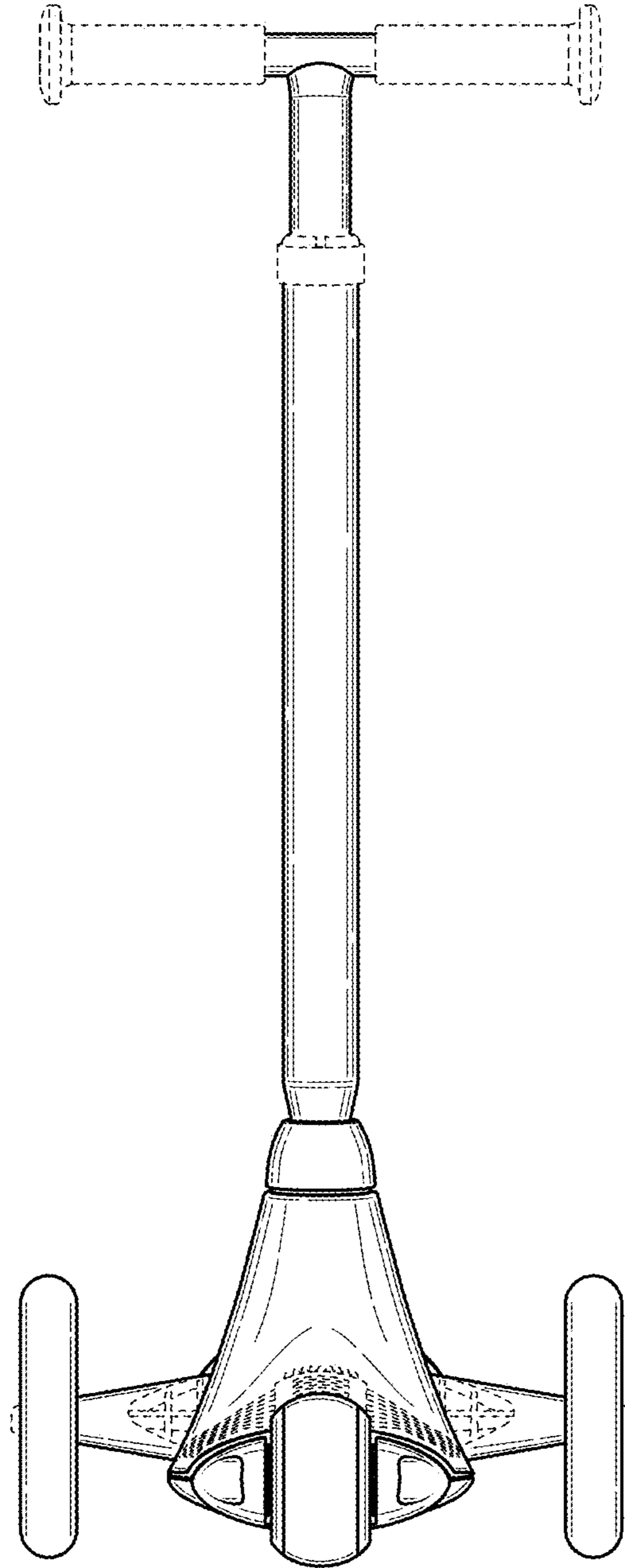
**FIG. 1**



**FIG. 2**



**FIG. 3**



**FIG. 4**

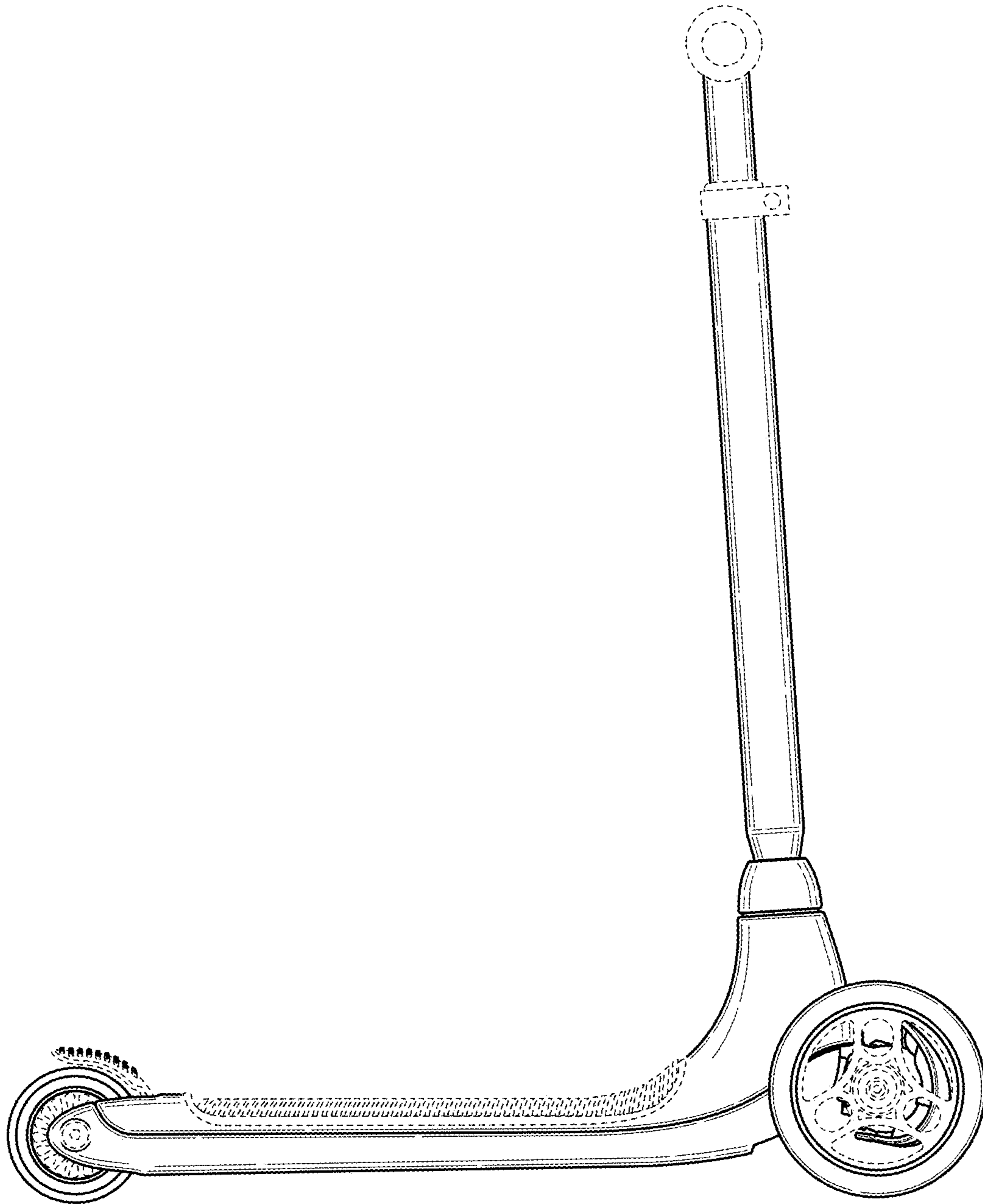
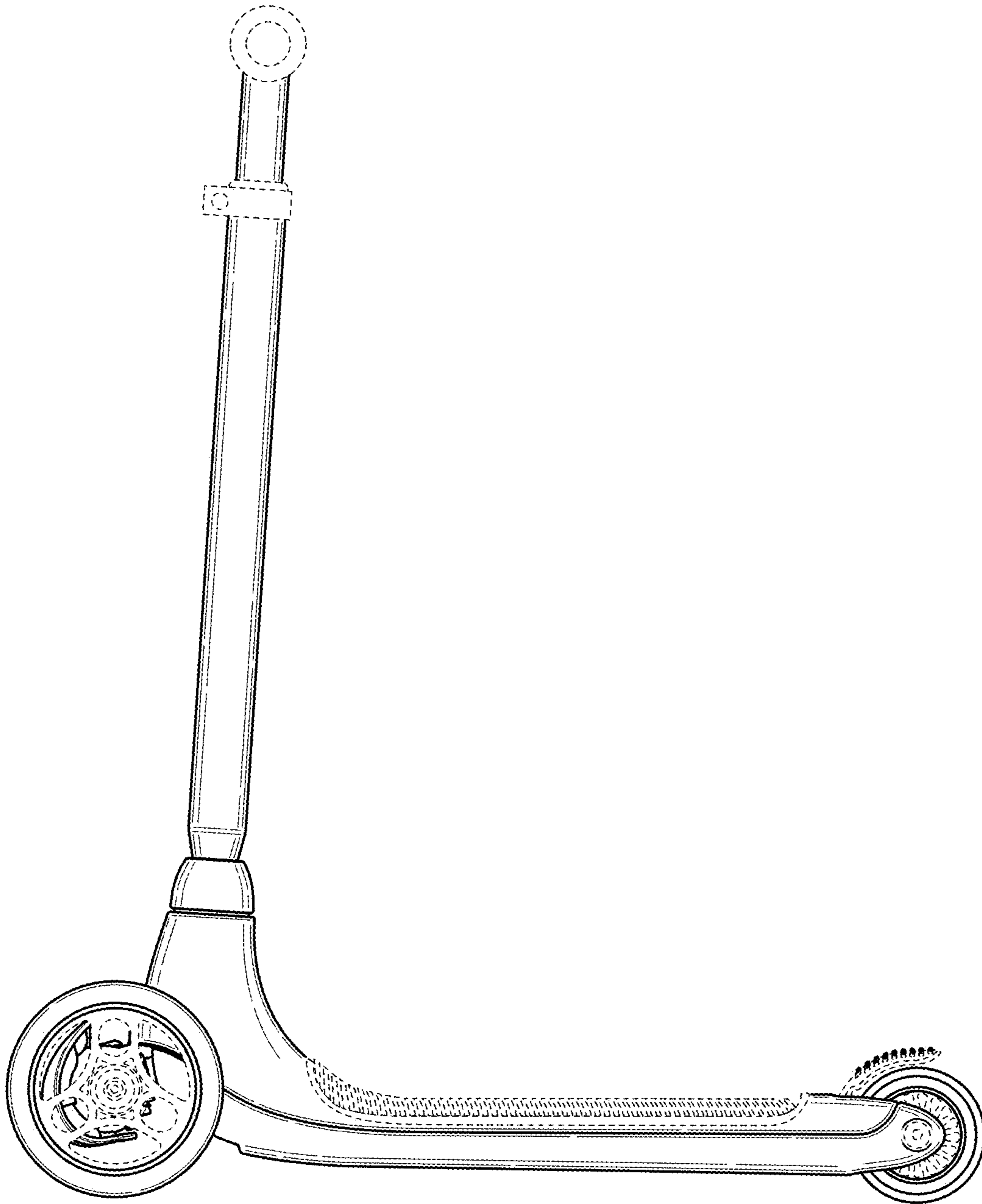
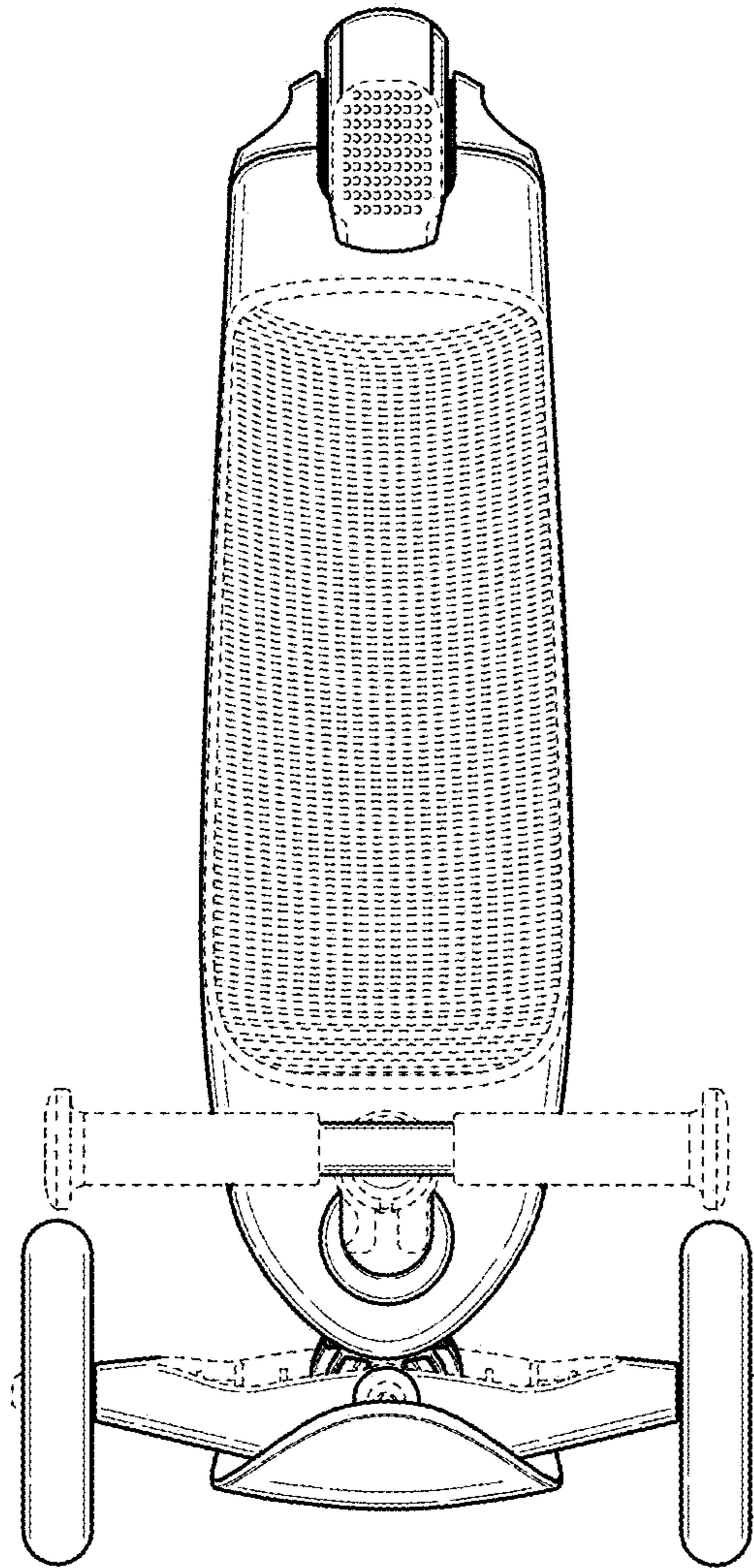


FIG. 5

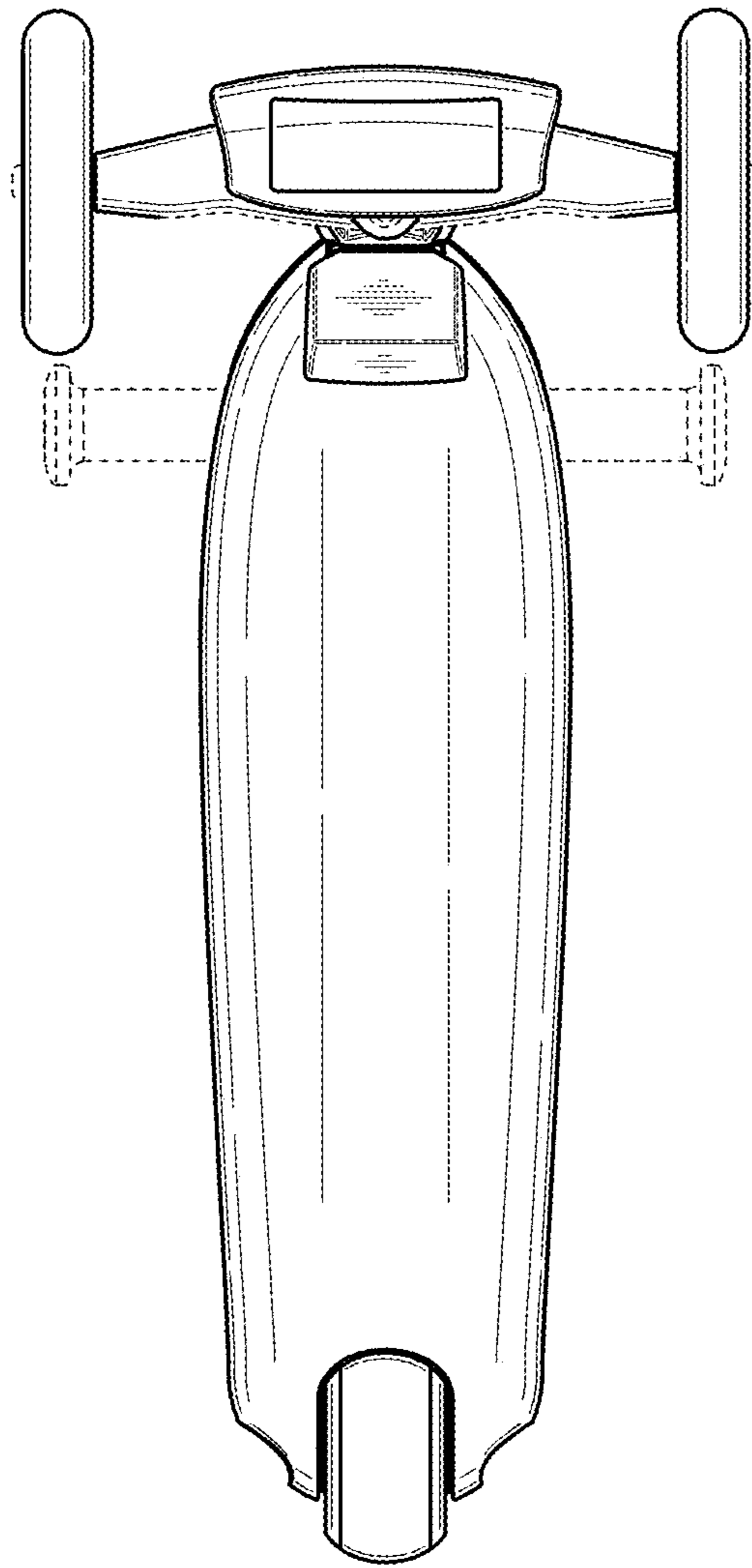


**FIG. 6**





**FIG. 7**



**FIG. 8**